



US00D411092S

United States Patent [19] Heithe

[11] **Patent Number: Des. 411,092**

[45] **Date of Patent: ** Jun. 15, 1999**

[54] **DOOR PULL**

4,744,126 5/1988 Bisbing 16/124

[75] Inventor: **Michael E. Heithe**, Duarte, Calif.

Primary Examiner—B. J. Bullock
Attorney, Agent, or Firm—Don Finkelstein

[73] Assignee: **Triangle Brass Manufacturing Company, Incorporated**, Los Angeles, Calif.

[57] **CLAIM**

The ornamental design for a door pull, as shown and described.

[**] Term: **14 Years**

DESCRIPTION

[21] Appl. No.: **29/077,200**

FIG. 1 is a perspective view of my new design for a door pull;

[22] Filed: **Sep. 29, 1997**

FIG. 2 is an enlarged top plan view thereof;

[51] **LOC (6) Cl.** **08-06**

FIG. 3 is a right-side elevational view thereof;

[52] **U.S. Cl.** **D8/313**

FIG. 4 is a bottom plan view thereof;

[58] **Field of Search** D8/313; 16/110 R,
16/124

FIG. 5 is a left-side elevational view thereof;

FIG. 6 is a front end elevational view thereof, the back end elevational view being a mirror image;

[56] **References Cited**

U.S. PATENT DOCUMENTS

D. 342,203	12/1993	Lougee	D8/313
1,304,700	5/1919	Otte	16/124
1,437,509	12/1922	Genth	16/124

FIG. 7 is an enlarged sectional view taken in the direction of the arrows on line 7—7 of FIG. 2; and,

FIG. 8 is an enlarged sectional view taken in the direction of the arrows on line 8—8 of FIG. 2.

1 Claim, 4 Drawing Sheets

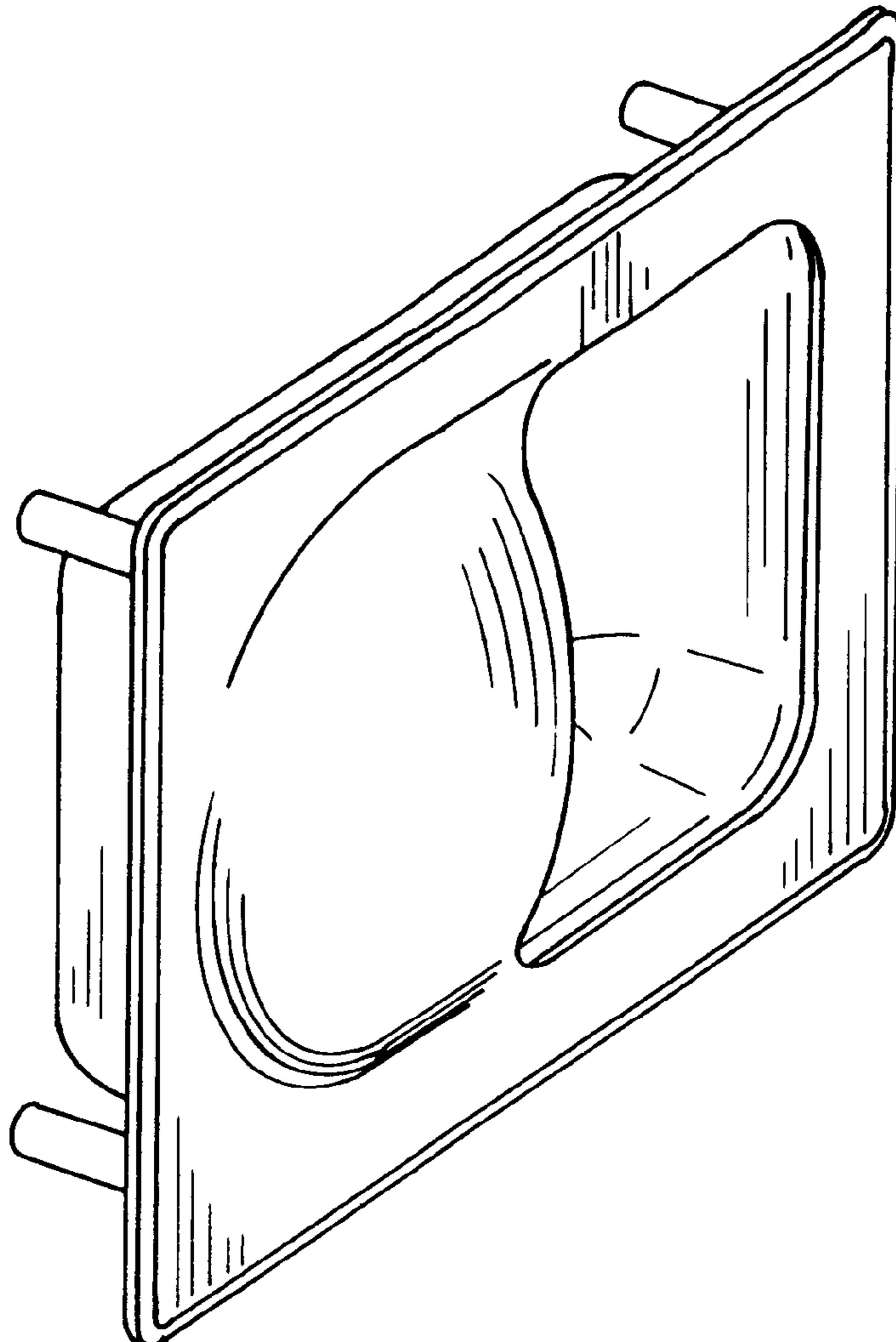


FIG. 1

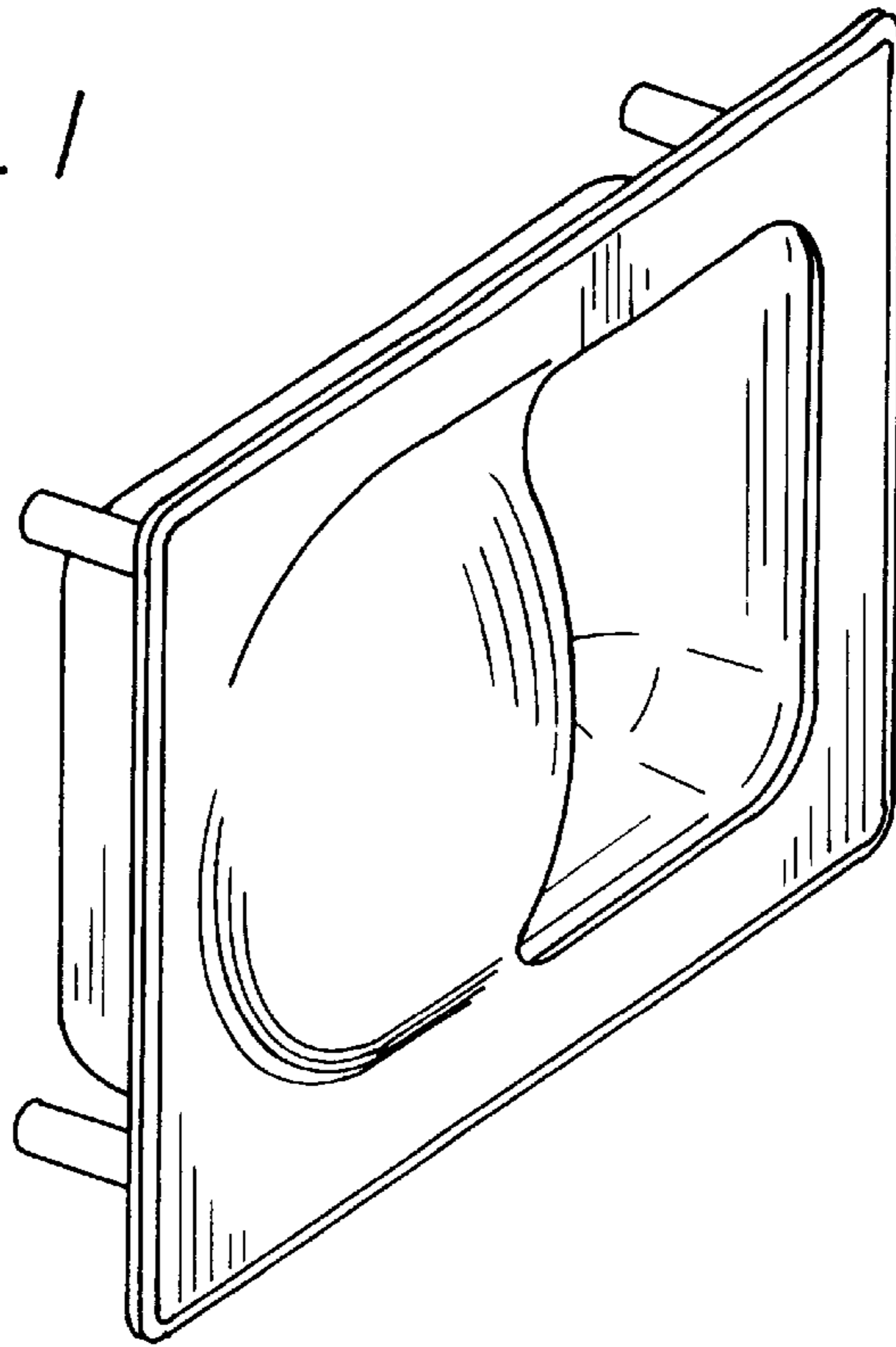
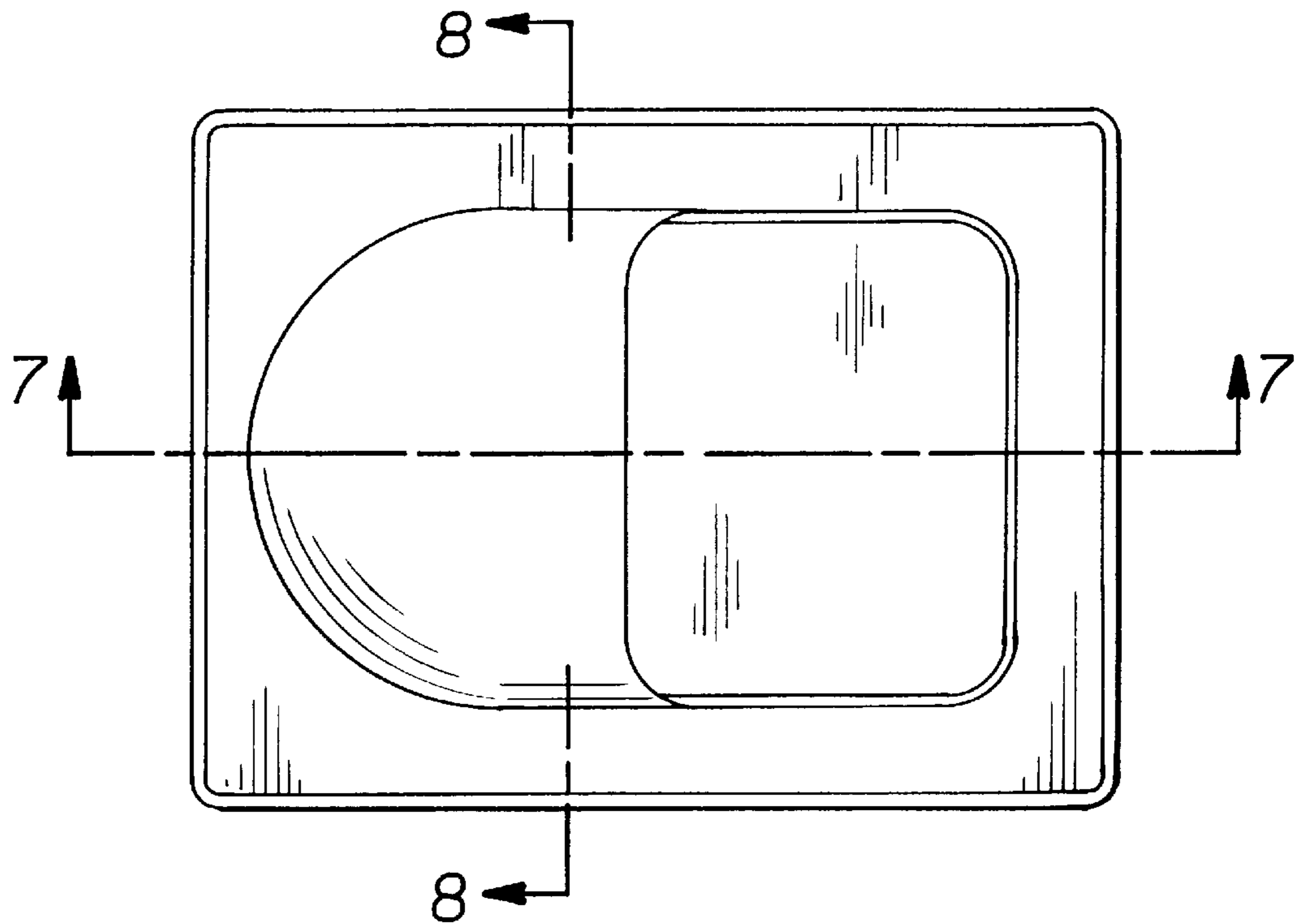


FIG. 2



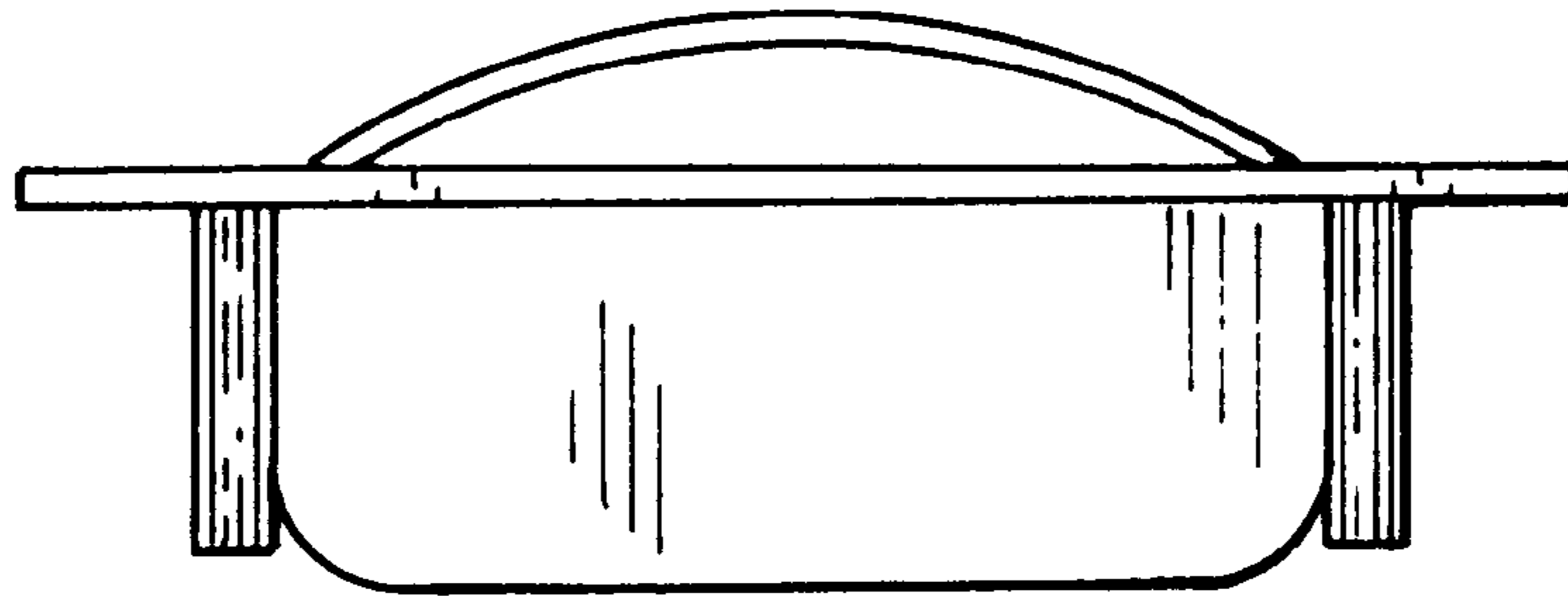


FIG. 3

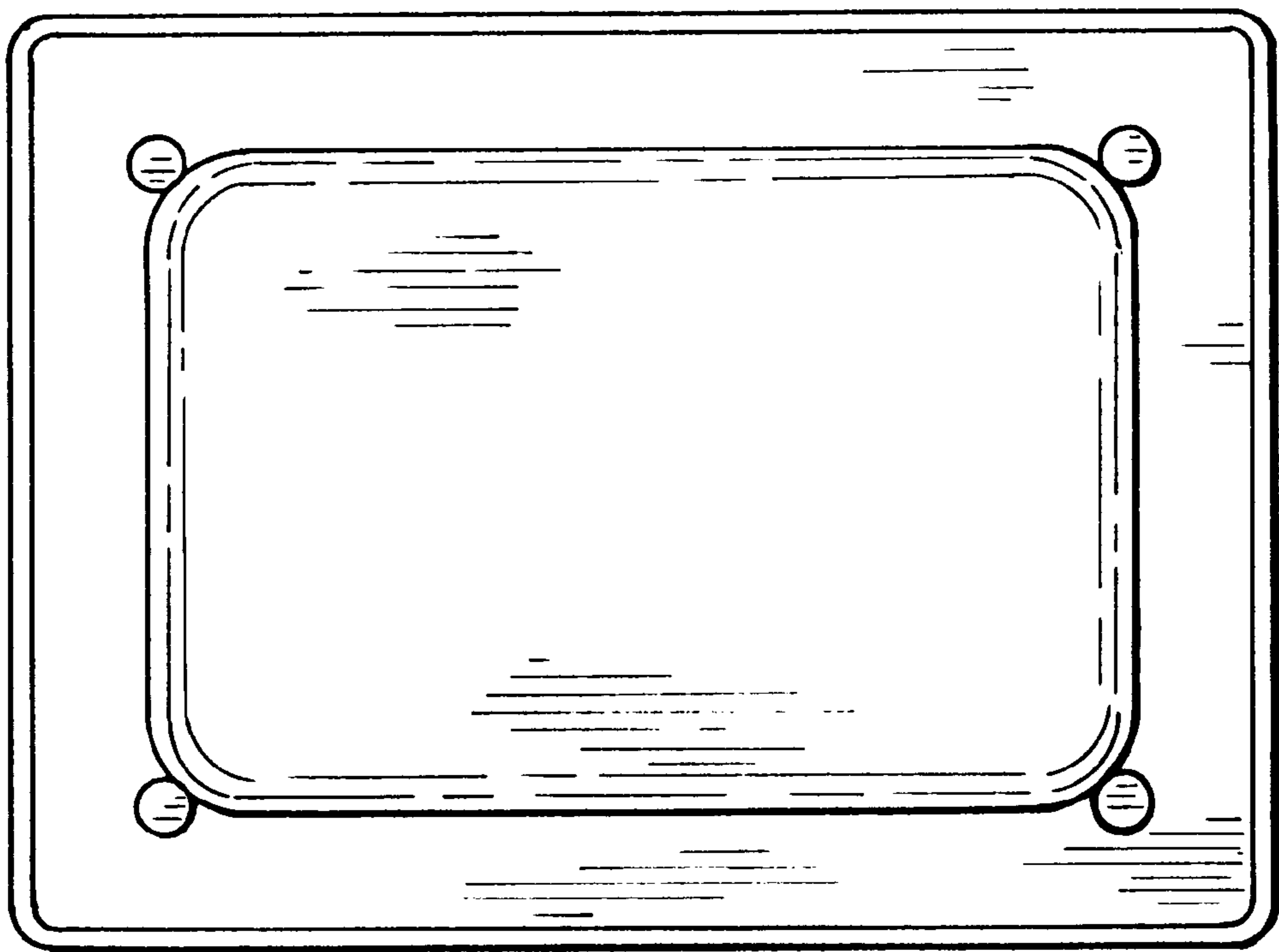


FIG. 4

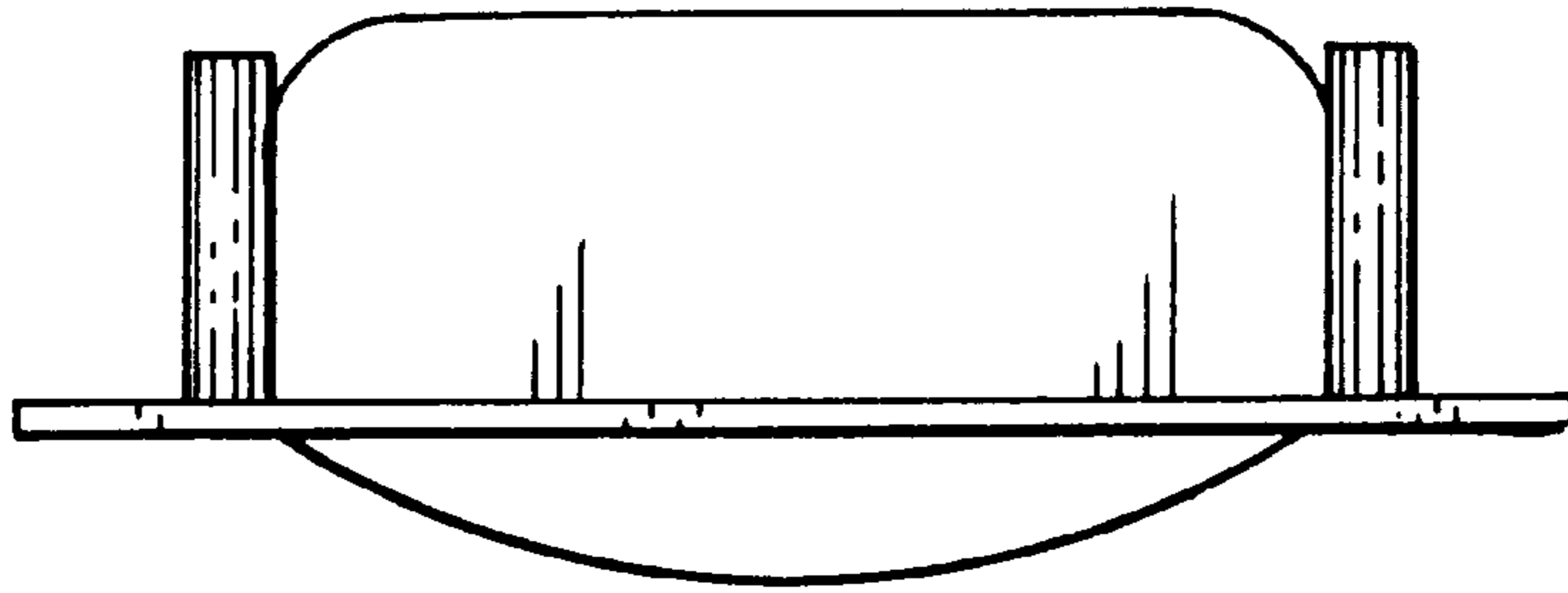


FIG .5

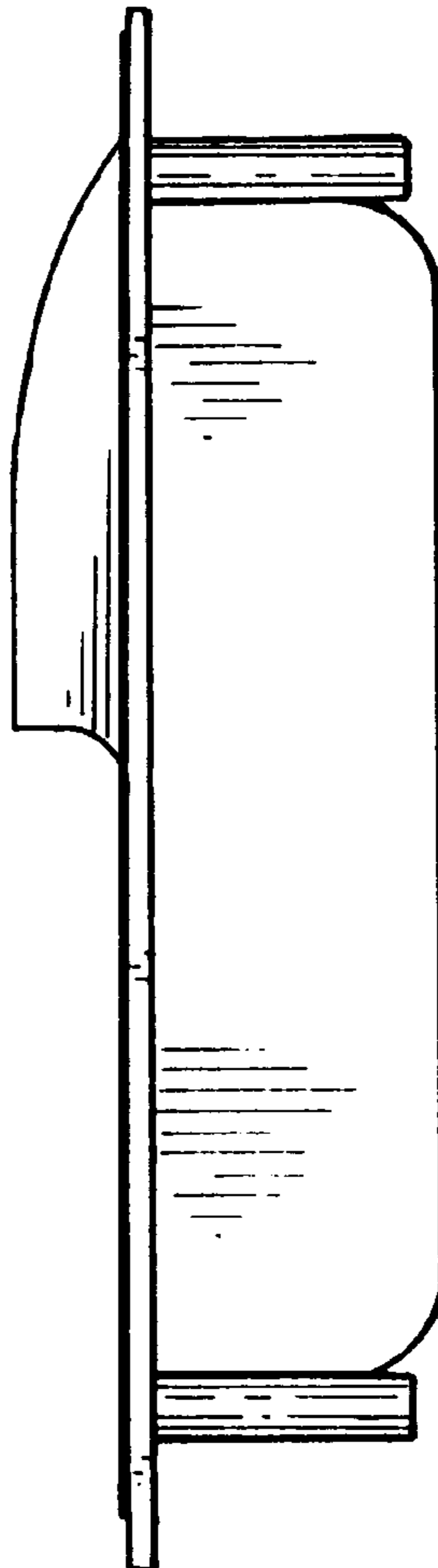


FIG .6

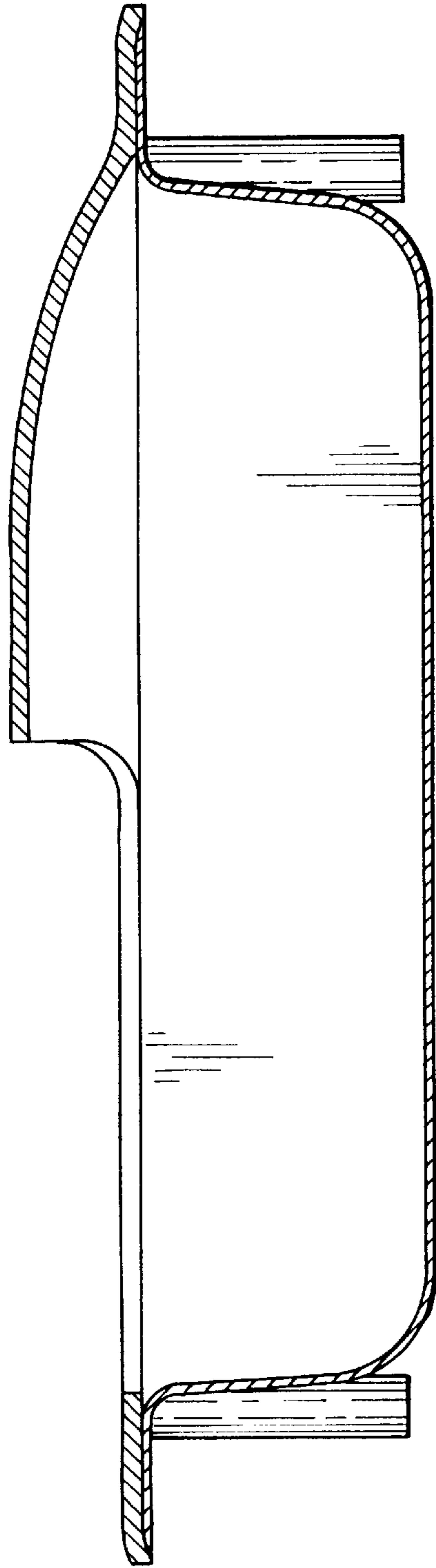


FIG .7

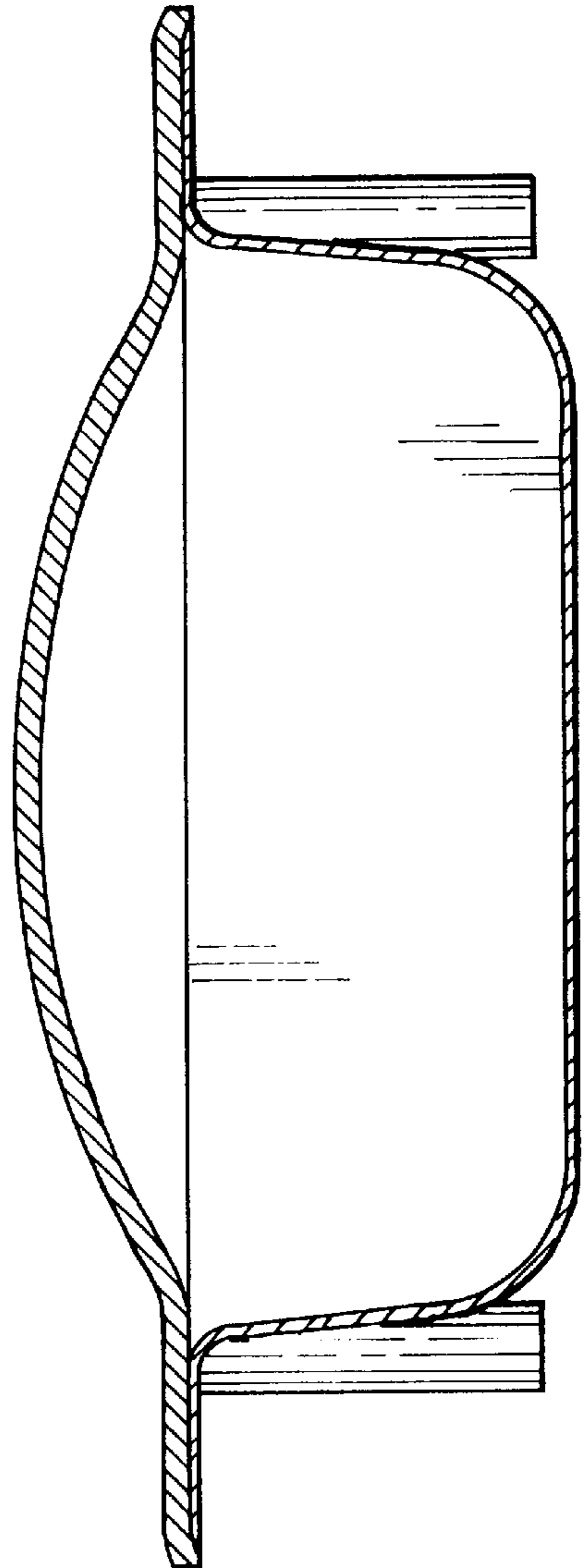


FIG .8