



US00D411091S

# United States Patent [19] Halligan

[11] **Patent Number: Des. 411,091**

[45] **Date of Patent: \*\* Jun. 15, 1999**

[54] **POCKETKNIFE**

D. 321,820 11/1991 Russell ..... D8/99  
D. 367,599 3/1996 Sakai ..... D8/99

[75] Inventor: **Ed Halligan**, Sharpsburg, Ga.

### OTHER PUBLICATIONS

[73] Assignee: **GB II Corporation**, Wilsonville, Oreg.

Columbia River Knife & Tool, Product Brochure, Jan. 29, 1998, p.2.

[\*\*] Term: **14 Years**

*Primary Examiner*—Philip S. Hyder  
*Attorney, Agent, or Firm*—Stoel Rives LLP

[21] Appl. No.: **29/088,133**

[22] Filed: **May 15, 1998**

### [57] CLAIM

### [30] Foreign Application Priority Data

Dec. 6, 1997 [TW] Taiwan ..... 86220330  
Dec. 6, 1997 [TW] Taiwan ..... 86310436

I claim the ornamental design for a pocketknife, as shown and described.

[51] **LOC (6) Cl. .... 08-03**

### DESCRIPTION

[52] **U.S. Cl. .... D8/99**

[58] **Field of Search** ..... D8/98, 99; D22/118;  
30/152, 153, 154, 155, 156, 157, 158, 159,  
160, 161, 162

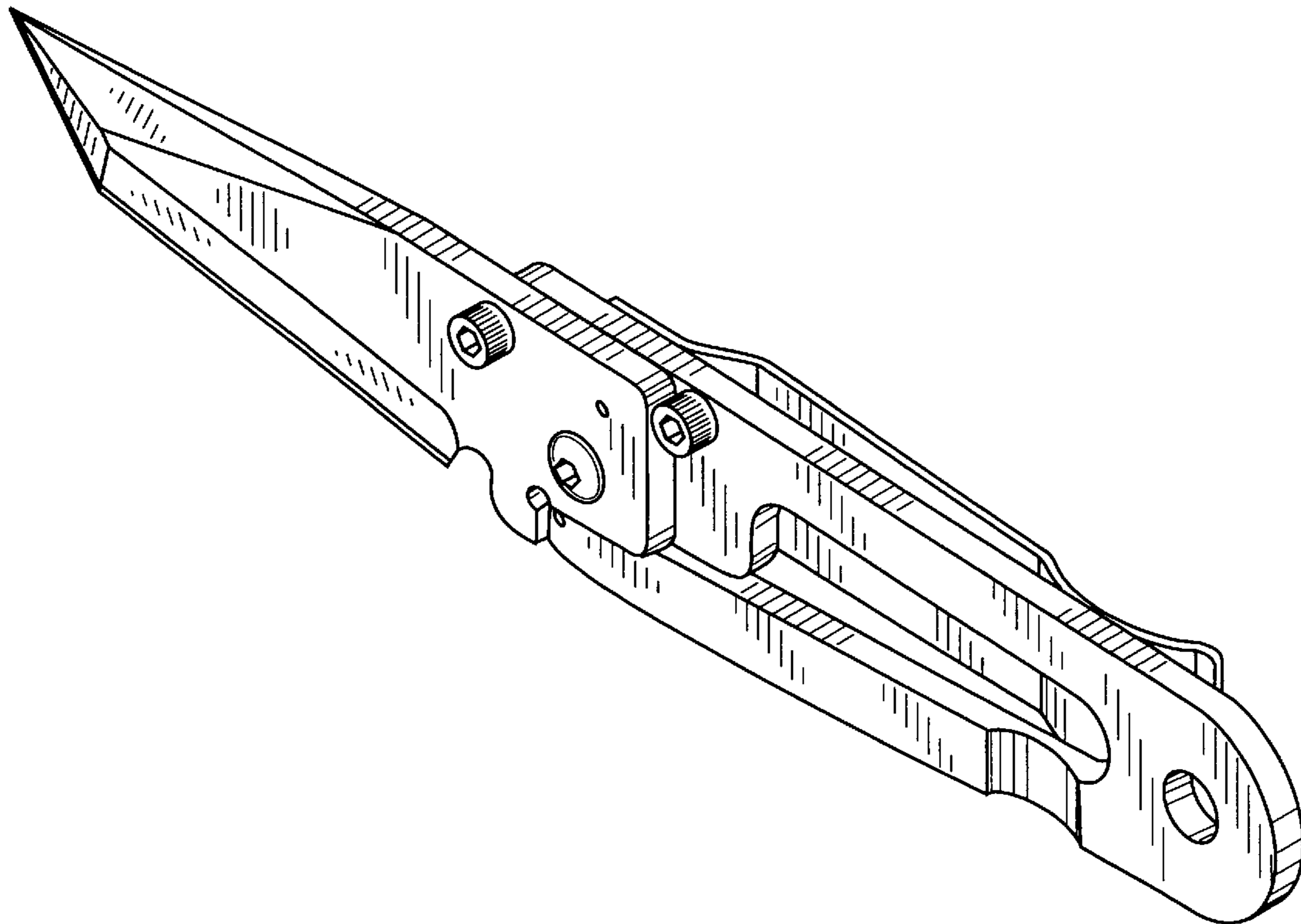
FIG. 1 is a perspective view of a pocketknife with its blade shown in a folded position;  
FIG. 2 is an enlarged tip end view thereof;  
FIG. 3 is an enlarged hinge end view thereof;  
FIG. 4 is a bottom plan view thereof;  
FIG. 5 is a front elevational view thereof;  
FIG. 6 is a top plan view thereof;  
FIG. 7 is a back elevational view thereof; and,  
FIG. 8 is a perspective view of the pocketknife of FIG. 1, with its blade shown in an alternate, extended position.

### [56] References Cited

#### U.S. PATENT DOCUMENTS

D. 257,612 12/1980 Goldin et al. .... D8/99  
D. 302,650 8/1989 Giordano ..... D8/99  
D. 304,154 10/1989 Osterhout ..... D8/99

**1 Claim, 2 Drawing Sheets**



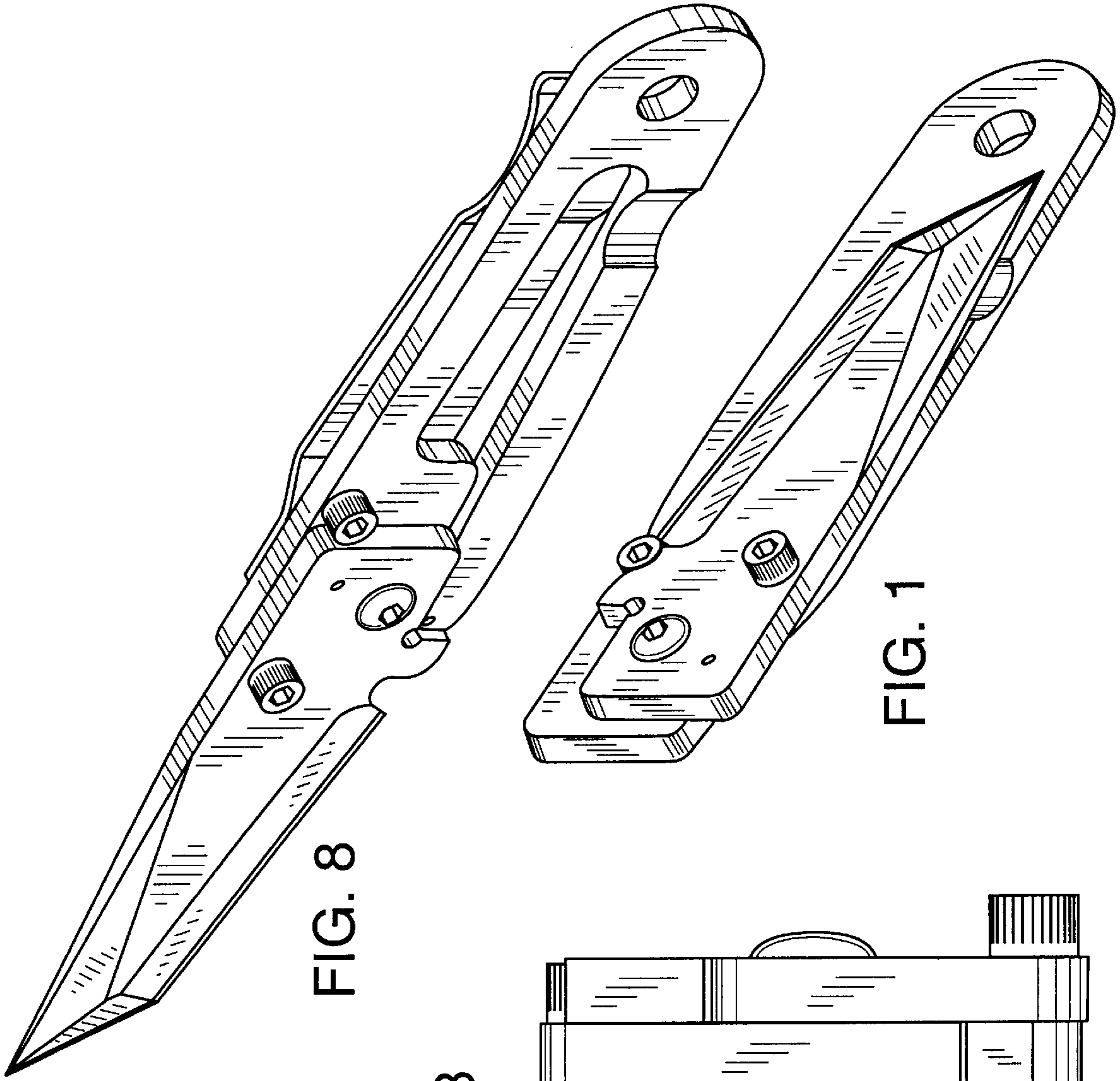


FIG. 8

FIG. 1

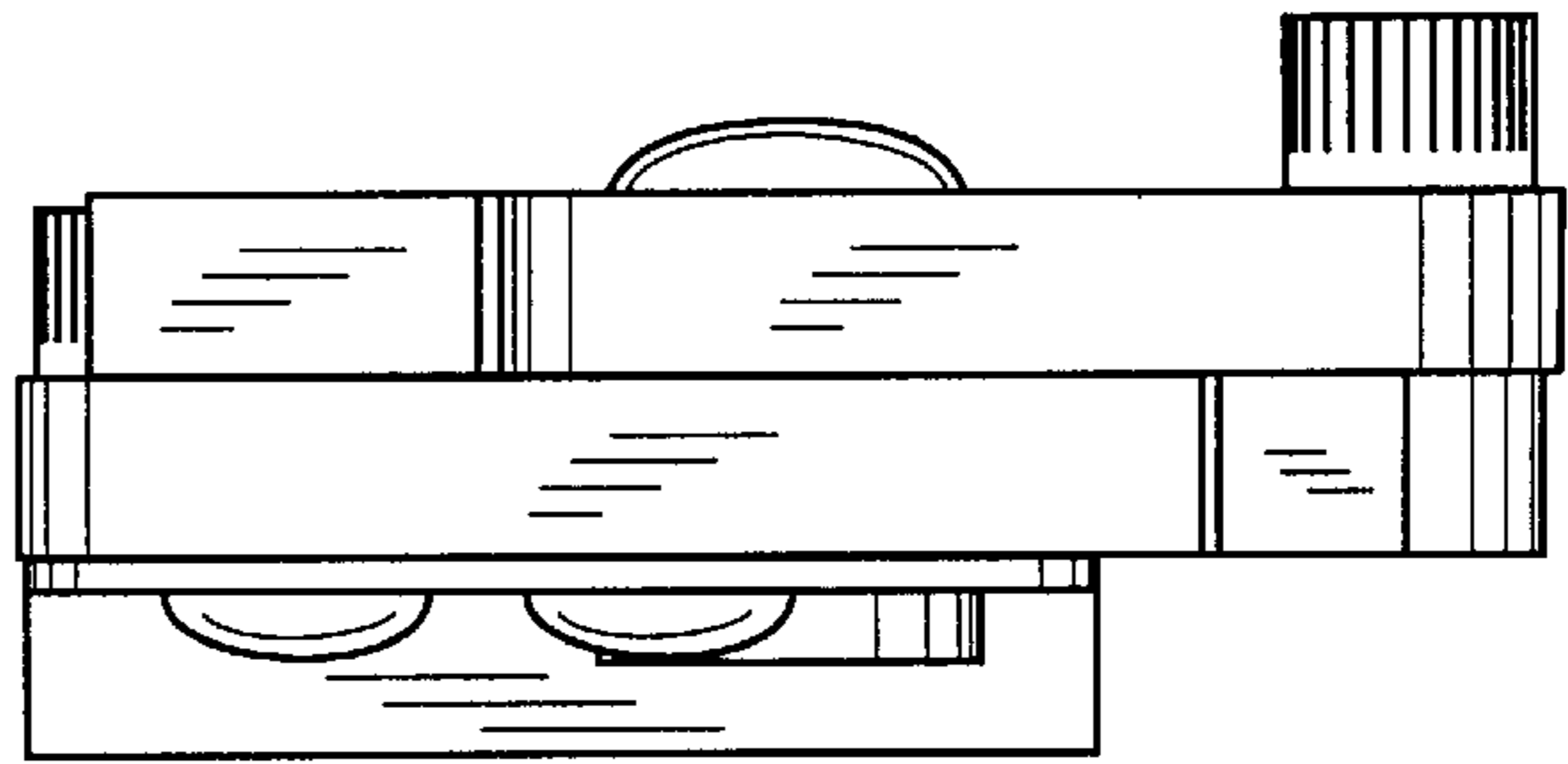


FIG. 3

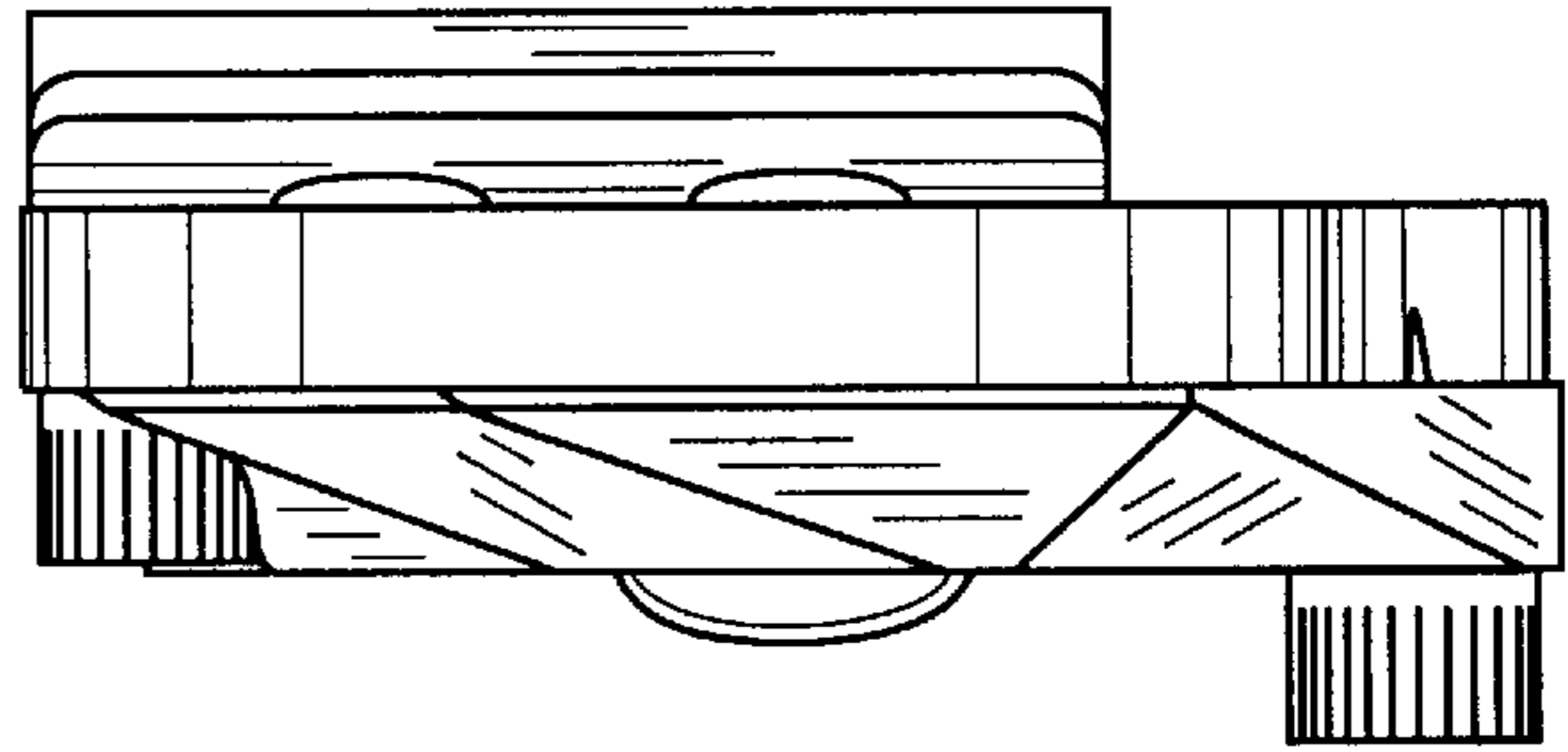


FIG. 2

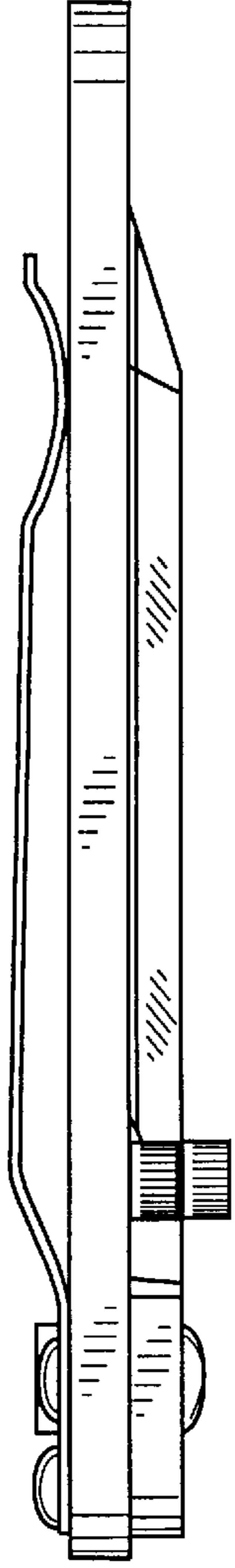


FIG. 4

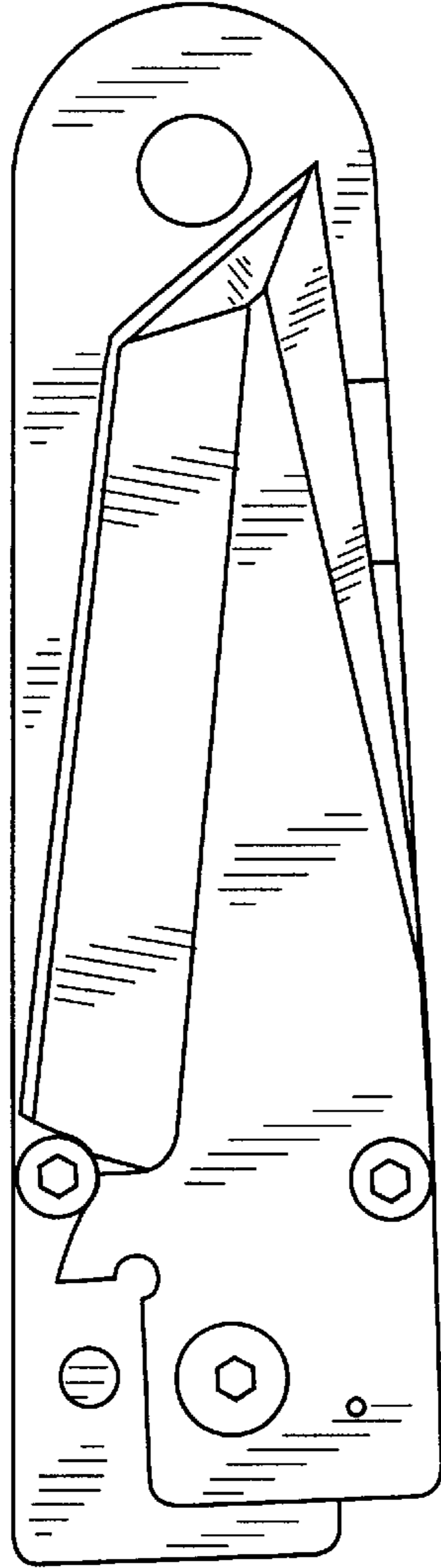


FIG. 5

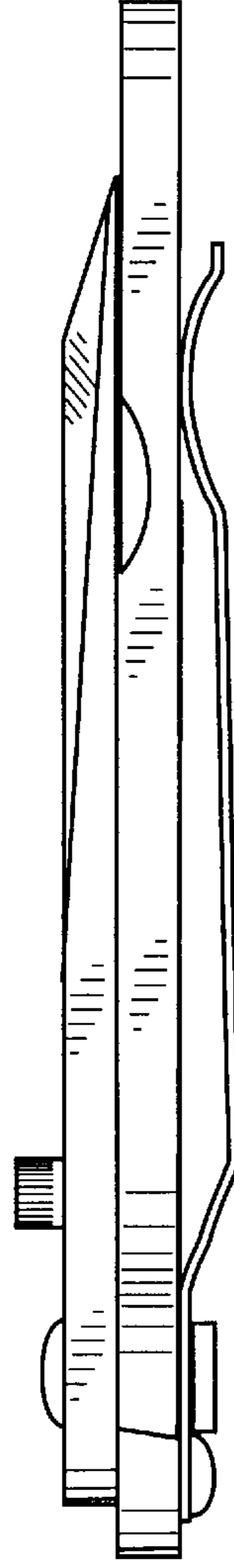


FIG. 6

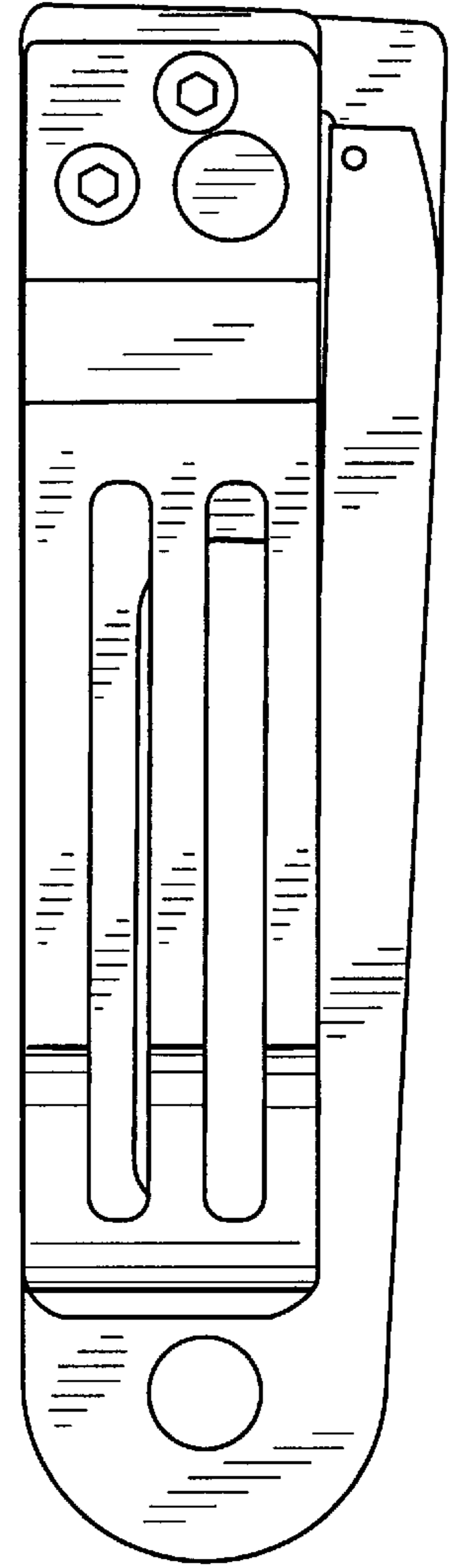


FIG. 7