



US00D411090S

United States Patent [19] Chang

[11] Patent Number: **Des. 411,090**

[45] Date of Patent: **** Jun. 15, 1999**

[54] **TABLE SAW**

[75] Inventor: **Chiu-Tsun Chang**, Taichung, Taiwan

[73] Assignee: **P & F Brother Industrial Corporation**, Taiwan

[**] Term: **14 Years**

[21] Appl. No.: **29/086,793**

[22] Filed: **Apr. 20, 1998**

[51] **LOC (6) Cl.** **15-09**

[52] **U.S. Cl.** **D8/66; D15/133**

[58] **Field of Search** D8/61, 64, 66;
D15/127, 133; 83/432, 435, 468.7, 468.3,
477, 477.2, 478

[56] **References Cited**

U.S. PATENT DOCUMENTS

- D. 142,809 11/1945 Andresen D15/133
- D. 309,466 7/1990 Wodli D15/133
- D. 326,666 6/1992 Miyamoto D15/127

- D. 354,757 1/1995 Wixey D15/133
- D. 377,654 1/1997 Jedlicka D15/133
- D. 394,071 5/1998 Ceroll D15/133
- 4,385,539 5/1983 Meyerhoefer 83/477.1
- 5,117,880 6/1992 Kapton 83/478 X
- 5,201,863 4/1993 Peot 83/477

Primary Examiner—Nelson C. Holtje
Attorney, Agent, or Firm—Pillsbury Madison & Sutro LLP

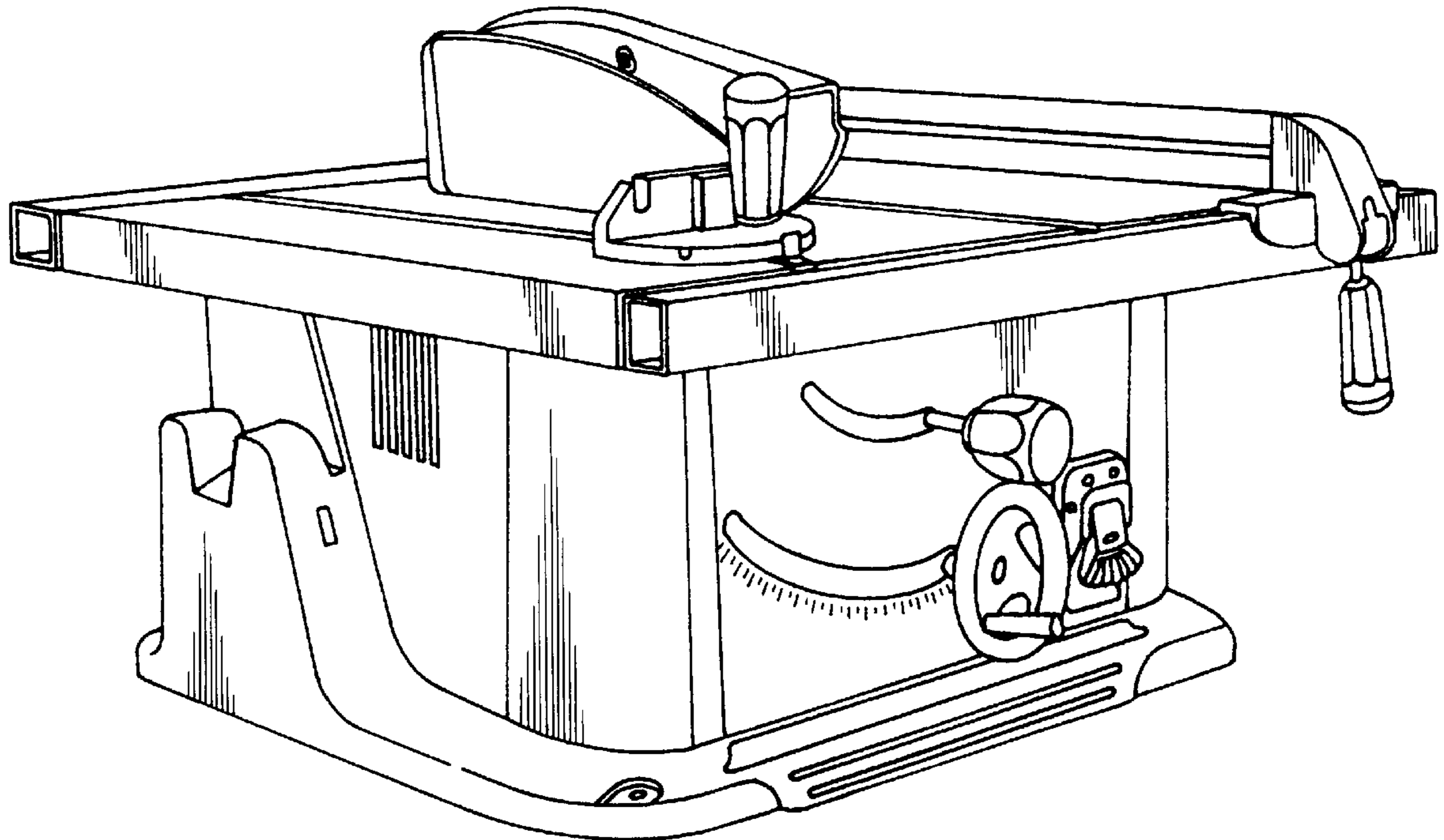
[57] **CLAIM**

The ornamental design for table saw, as shown and described.

DESCRIPTION

FIG. 1 is a perspective view of table saw showing my new design;
FIG. 2 is a front elevational view thereof;
FIG. 3 is a rear elevational view thereof;
FIG. 4 is a left side elevational view thereof;
FIG. 5 is a right side elevational view thereof;
FIG. 6 is a top plan view thereof; and,
FIG. 7 is a bottom plan view thereof.

1 Claim, 5 Drawing Sheets



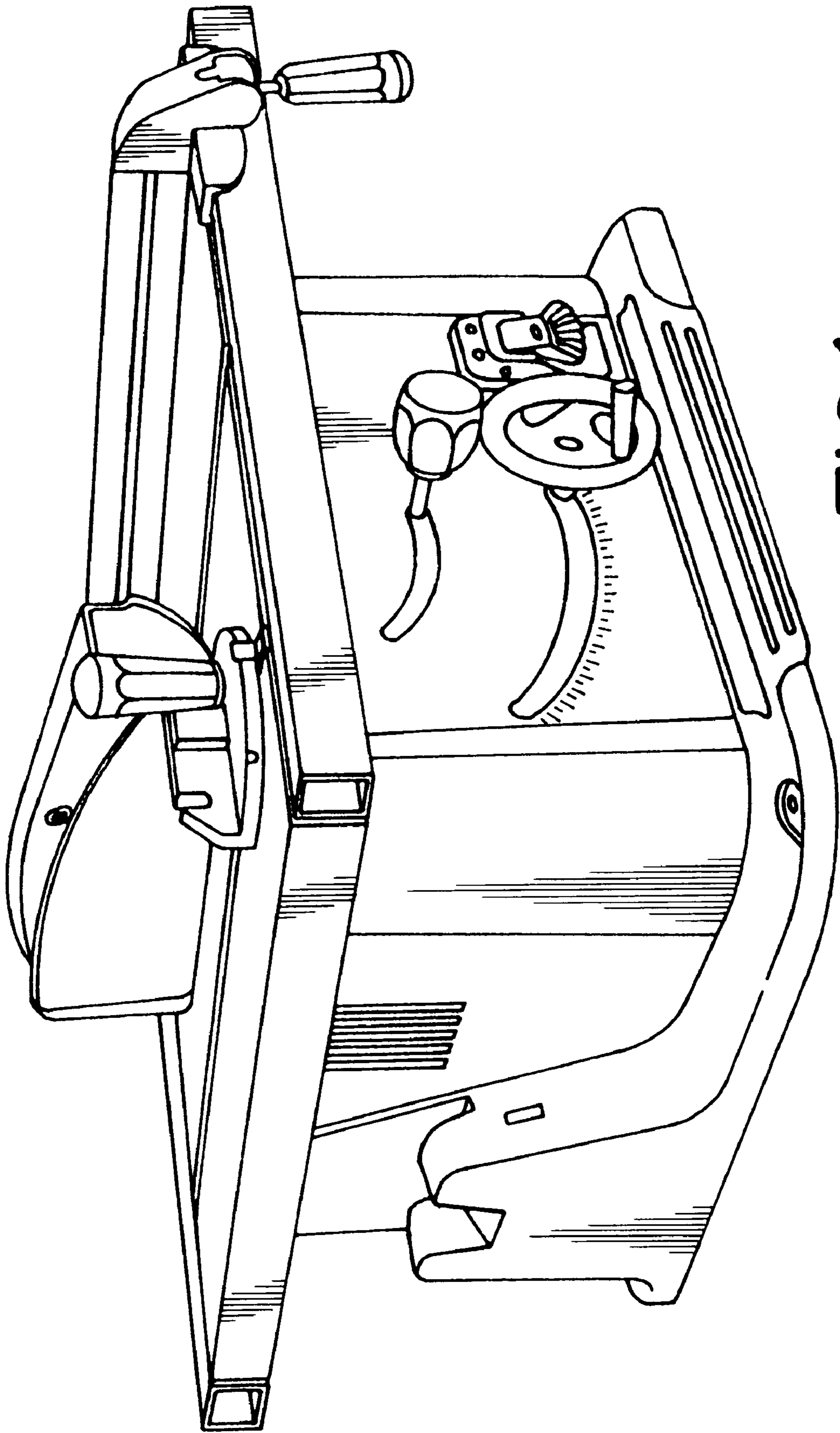


FIG.1

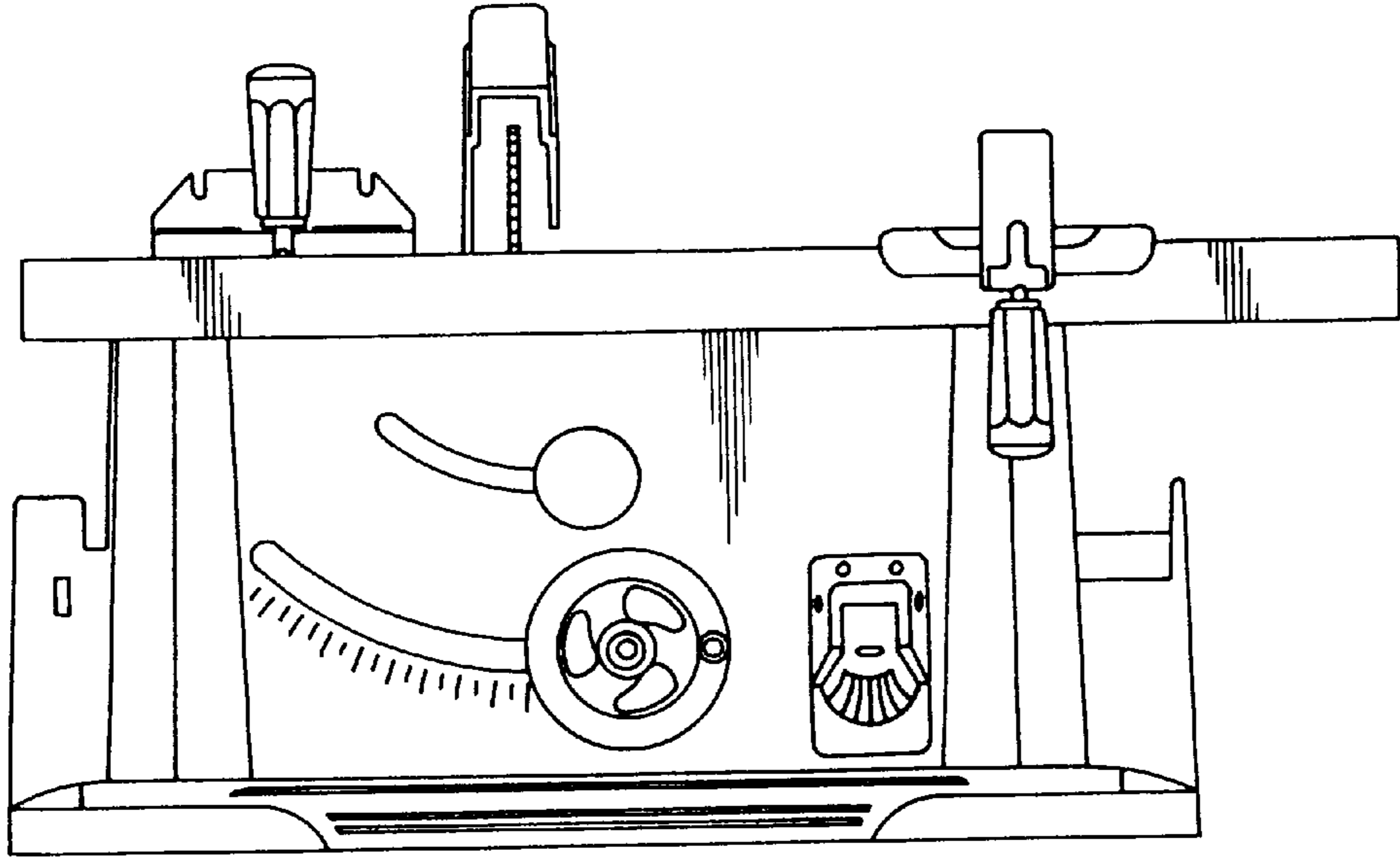


FIG. 2

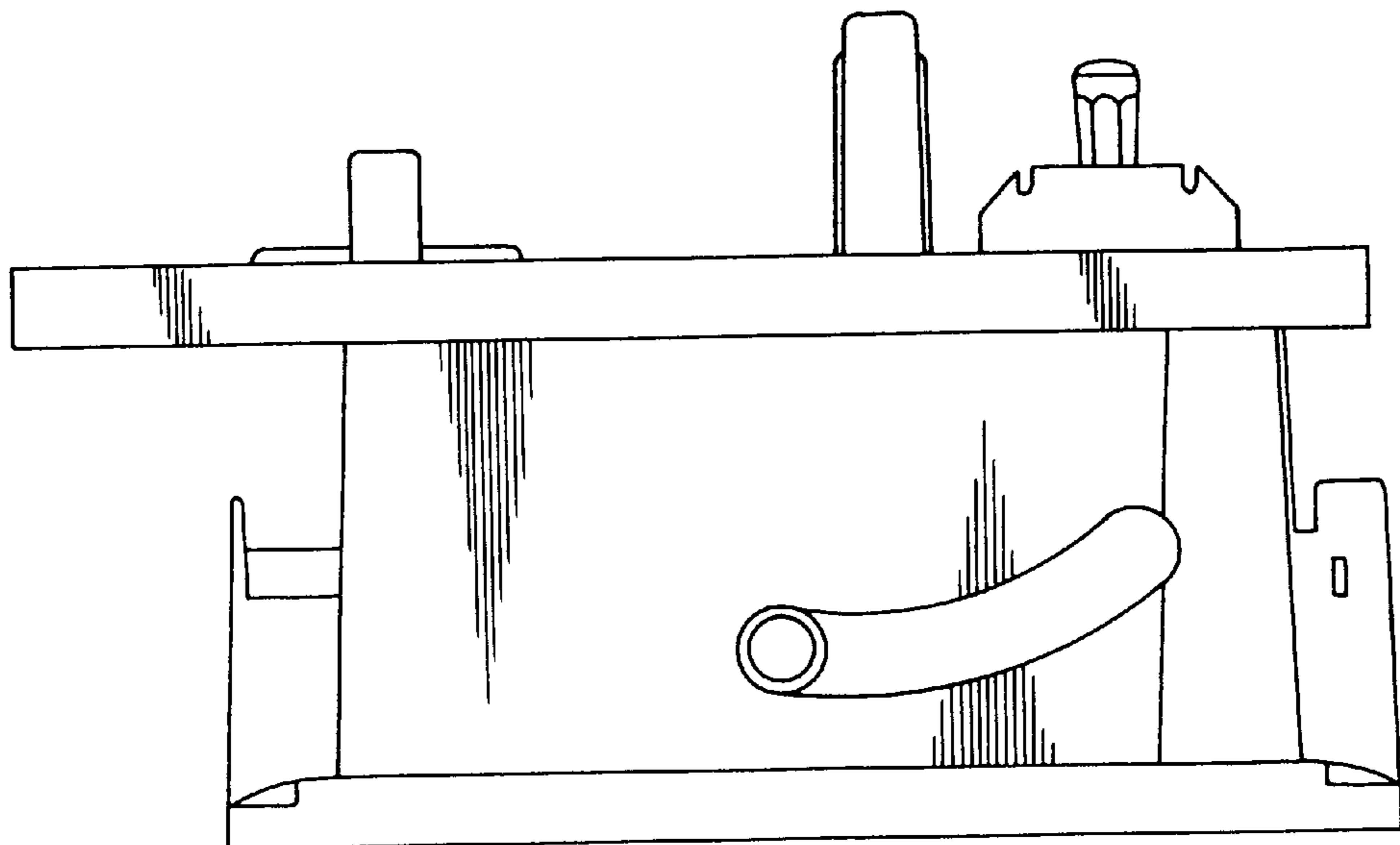


FIG. 3

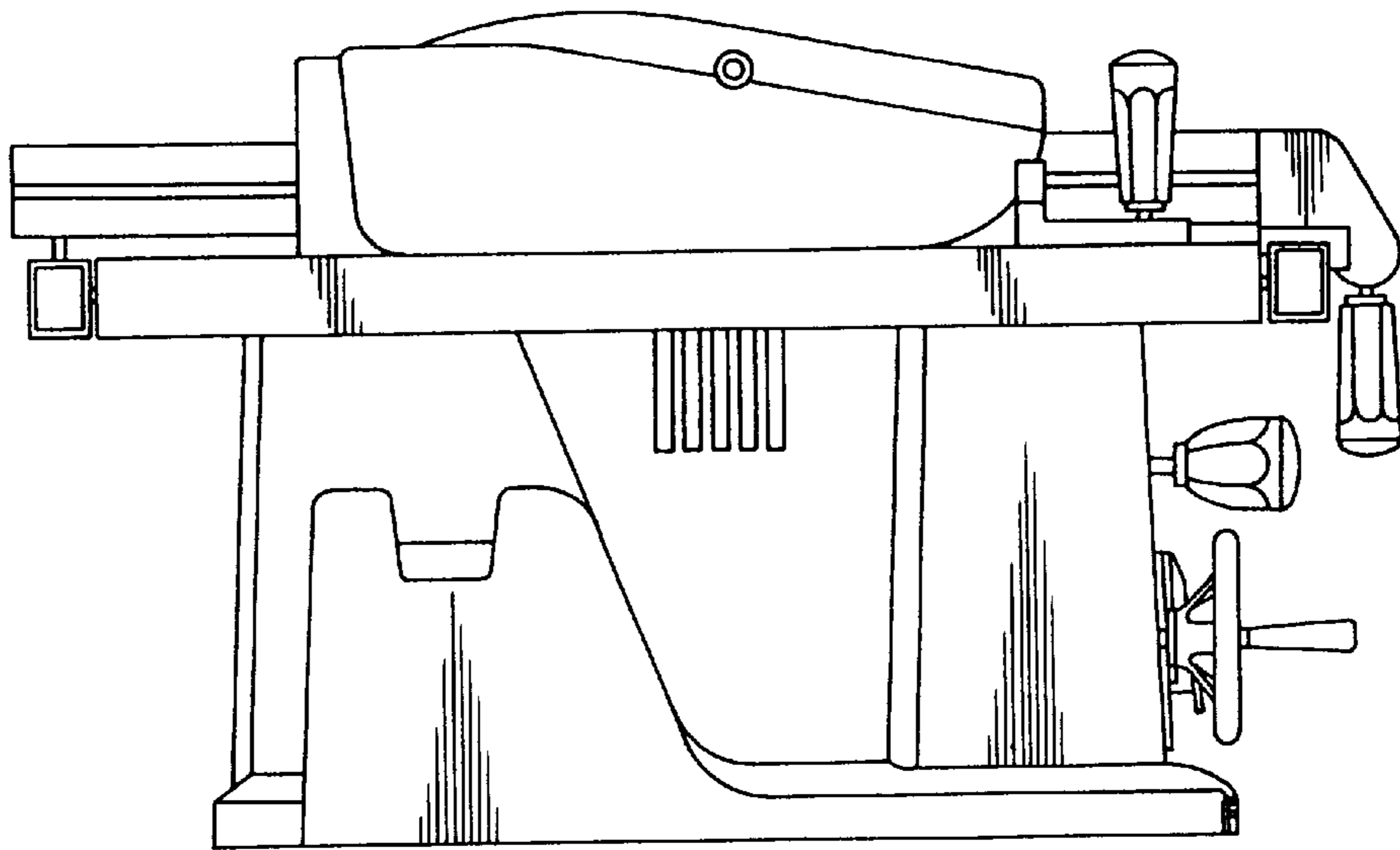


FIG. 4

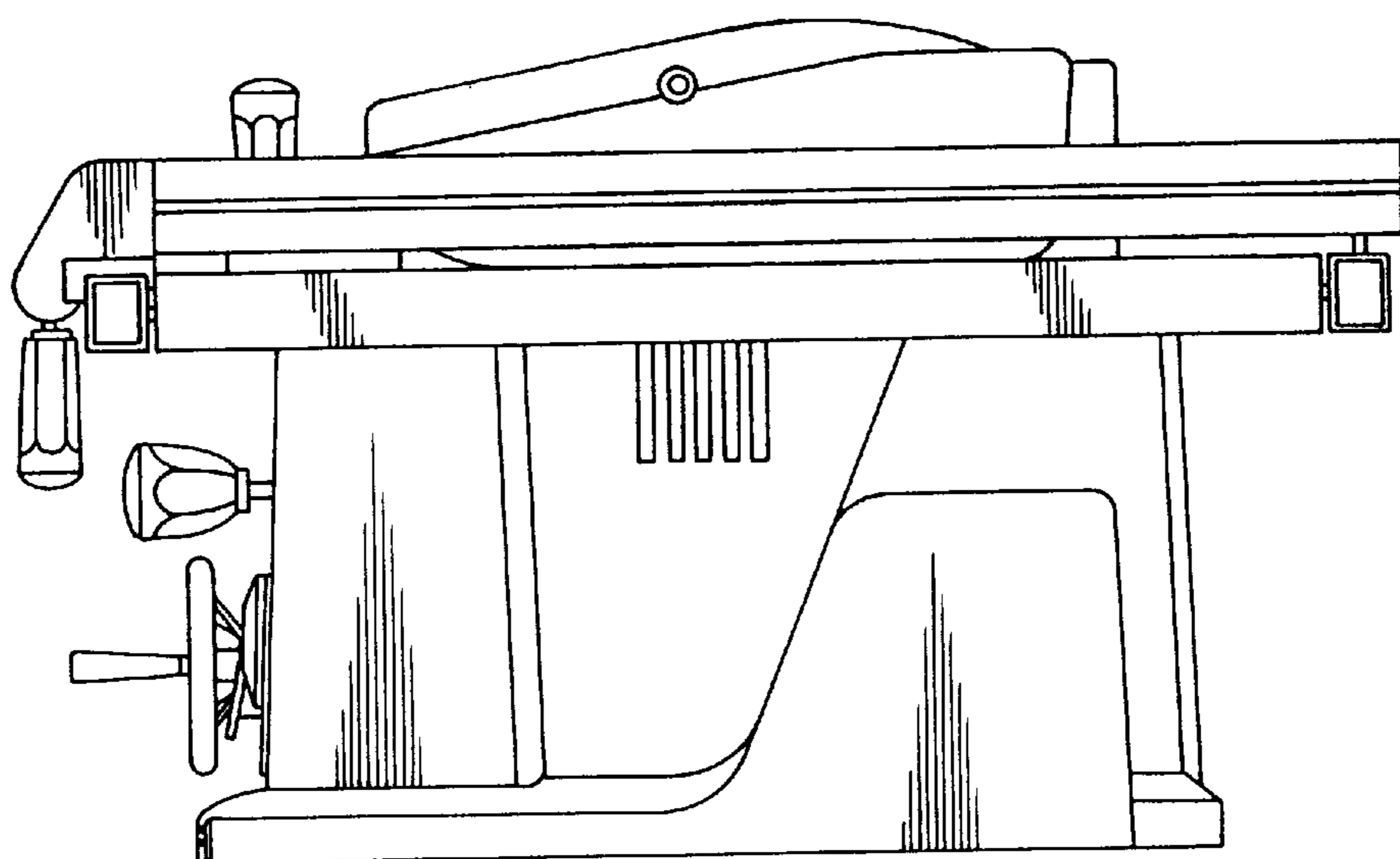


FIG. 5

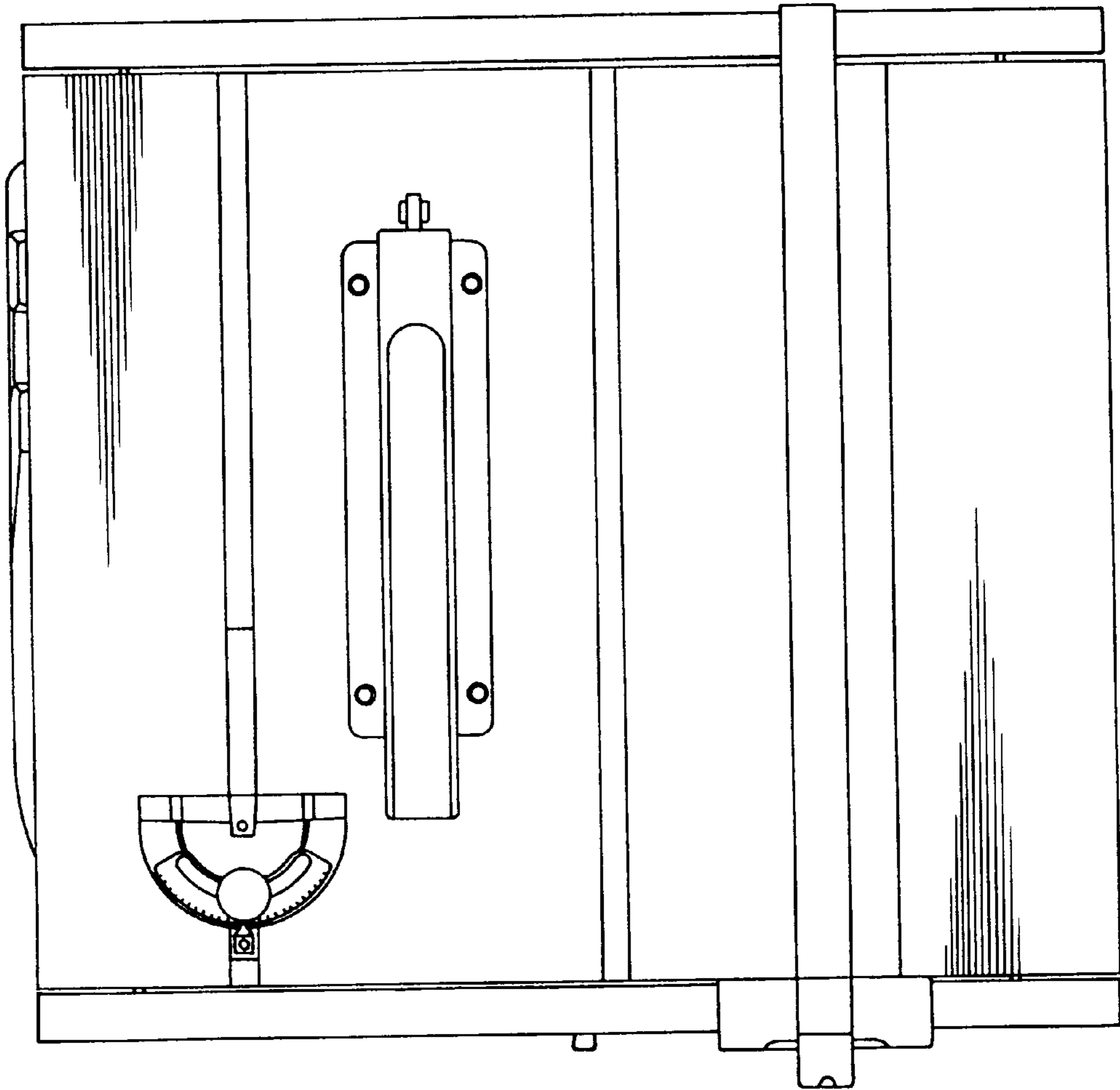


FIG. 6

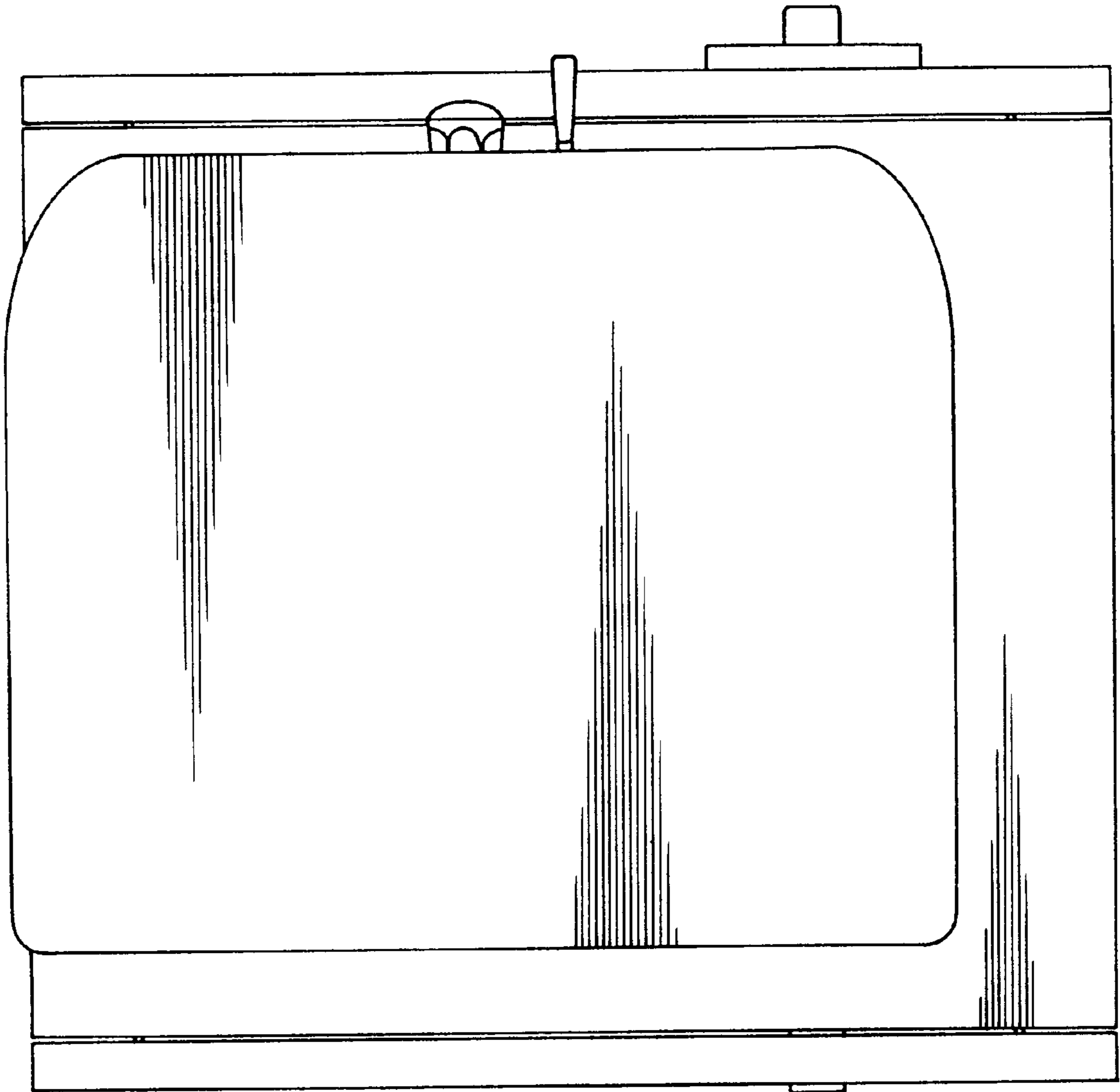


FIG. 7