



US00D411089S

United States Patent [19]

[11] **Patent Number: Des. 411,089**

Price

[45] **Date of Patent: ** Jun. 15, 1999**

[54] **RIGHT ANGLE SANDER WITH VACUUM ATTACHMENT**

D. 378,183 2/1997 Dognini D8/62
3,885,355 5/1975 Kakimoto 451/359
5,261,190 11/1993 Berger et al. 451/357

[75] Inventor: **Scott D. Price**, Pylesville, Md.

OTHER PUBLICATIONS

Festo ToolTechnic Catalogue 92/93, Front/Back Cover and pp. 18-32.

[73] Assignee: **Black & Decker Inc.**, Newark, Del.

Primary Examiner—Robert M. Spear
Attorney, Agent, or Firm—Dennis A. Dearing; John D. Del Ponti; Bruce S. Shapiro

[**] Term: **14 Years**

[21] Appl. No.: **29/071,229**

[22] Filed: **May 23, 1997**

[57] CLAIM

The ornamental design for a right angle sander with vacuum attachment, as shown and described.

Related U.S. Application Data

DESCRIPTION

[63] Continuation of application No. 29/036,769, Mar. 27, 1995, abandoned.

FIG. 1 is a perspective view of a right angle sander with vacuum attachment showing my new design.
FIG. 2 is a left side elevational view thereof.
FIG. 3 is a right side elevational view thereof.
FIG. 4 is a front elevational view thereof.
FIG. 5 is a rear elevational view thereof.
FIG. 6 is a top plan view thereof.
FIG. 7 is a bottom plan view with vacuum attachment; and, FIG. 8 is a bottom plan view without vacuum attachment for convenience of disclosure.

[51] **LOC (6) Cl.** **08-01**

[52] **U.S. Cl.** **D8/62**

[58] **Field of Search** D8/62, 68; 451/344, 451/356, 357, 359, 414, 456

[56] References Cited

U.S. PATENT DOCUMENTS

D. 295,824 5/1988 Hoshino et al. D8/62
D. 301,830 6/1989 Ogawa et al. D8/62
D. 328,841 8/1992 Fushiya et al. D8/62
D. 347,153 5/1994 Uneyama D8/62
D. 351,772 10/1994 Price D8/62

1 Claim, 8 Drawing Sheets

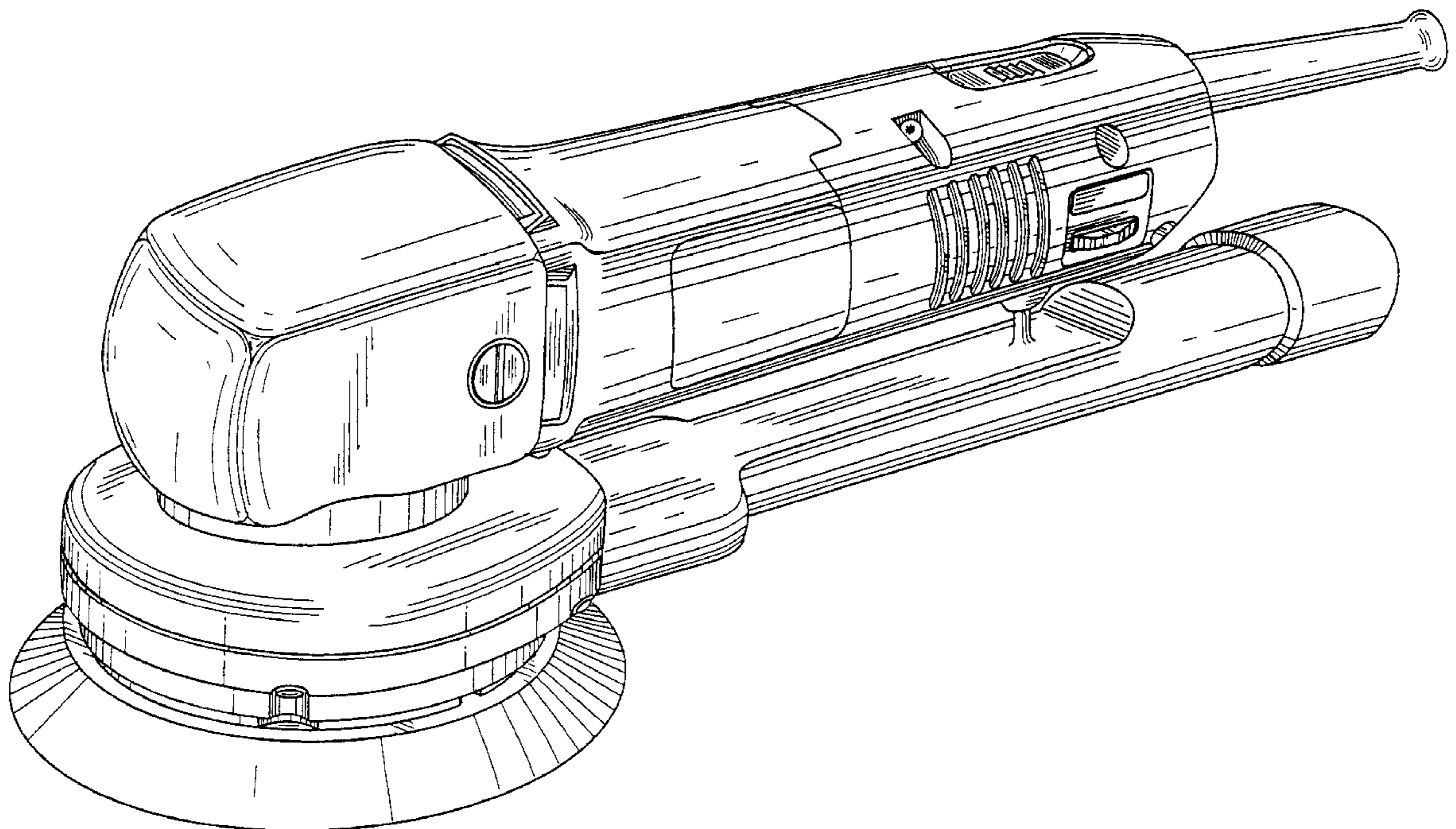


Fig. 1

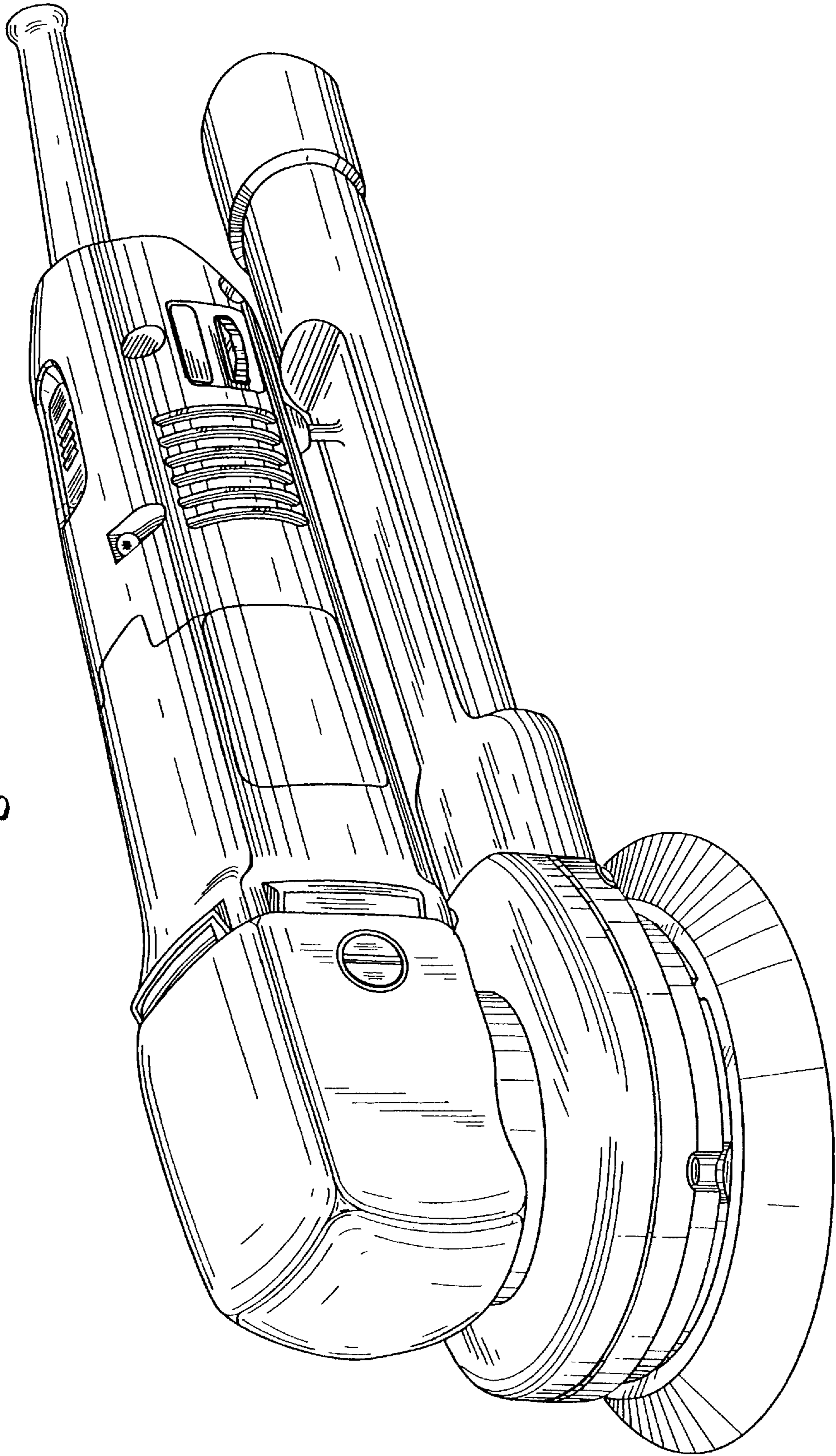


Fig. 2

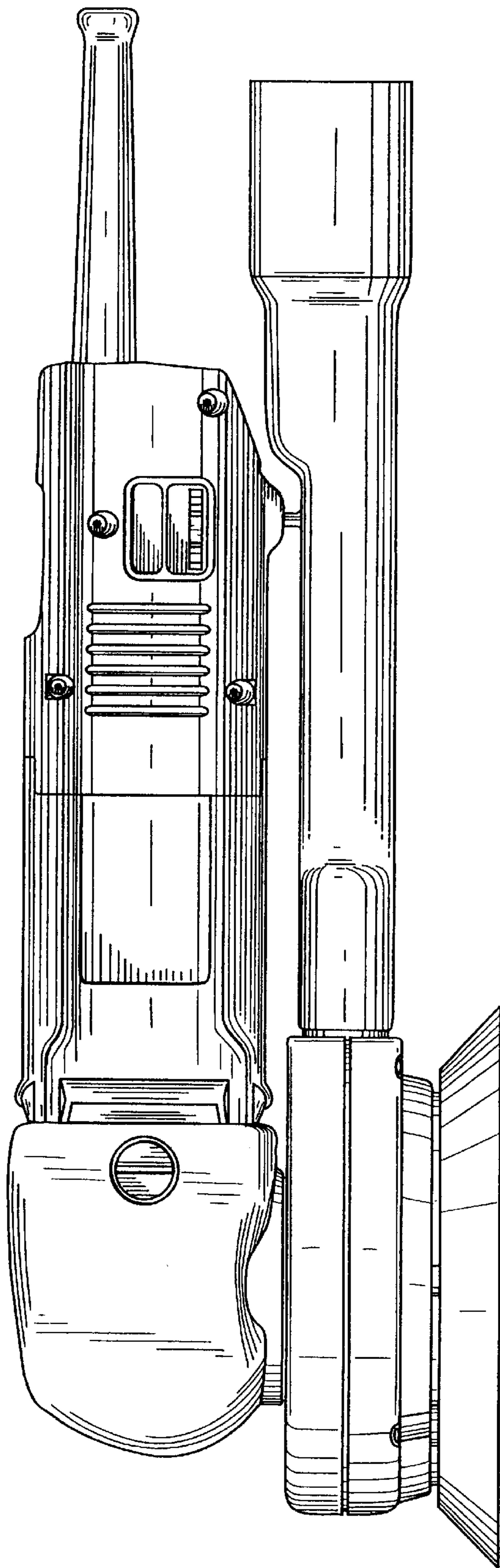


Fig. 3

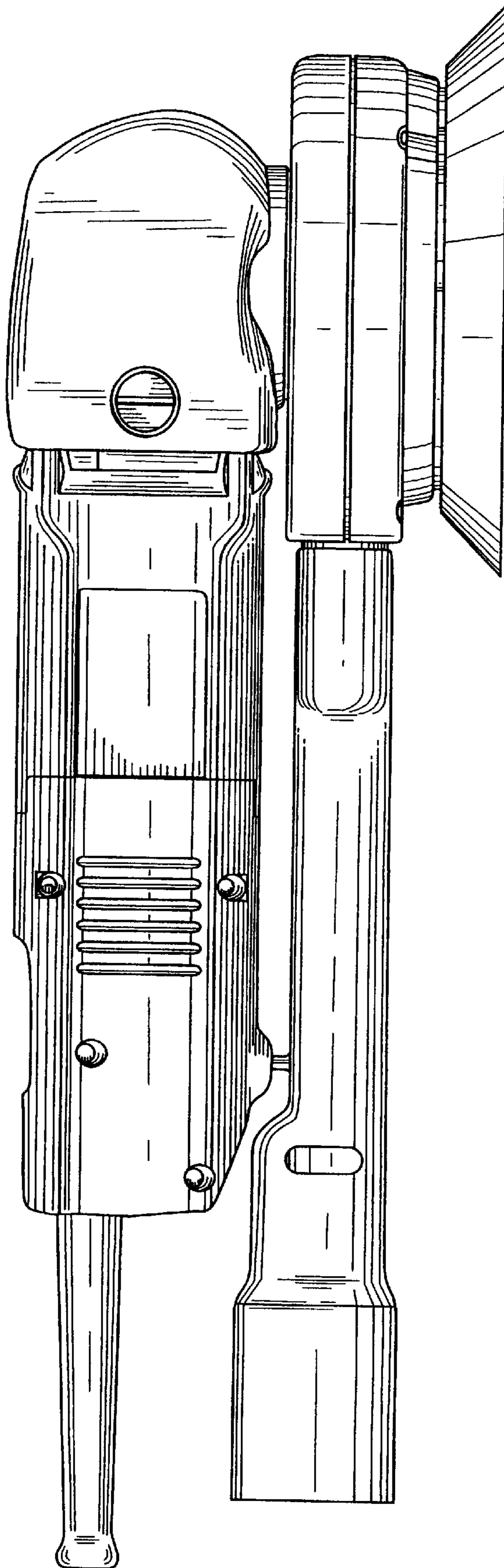


Fig. 4

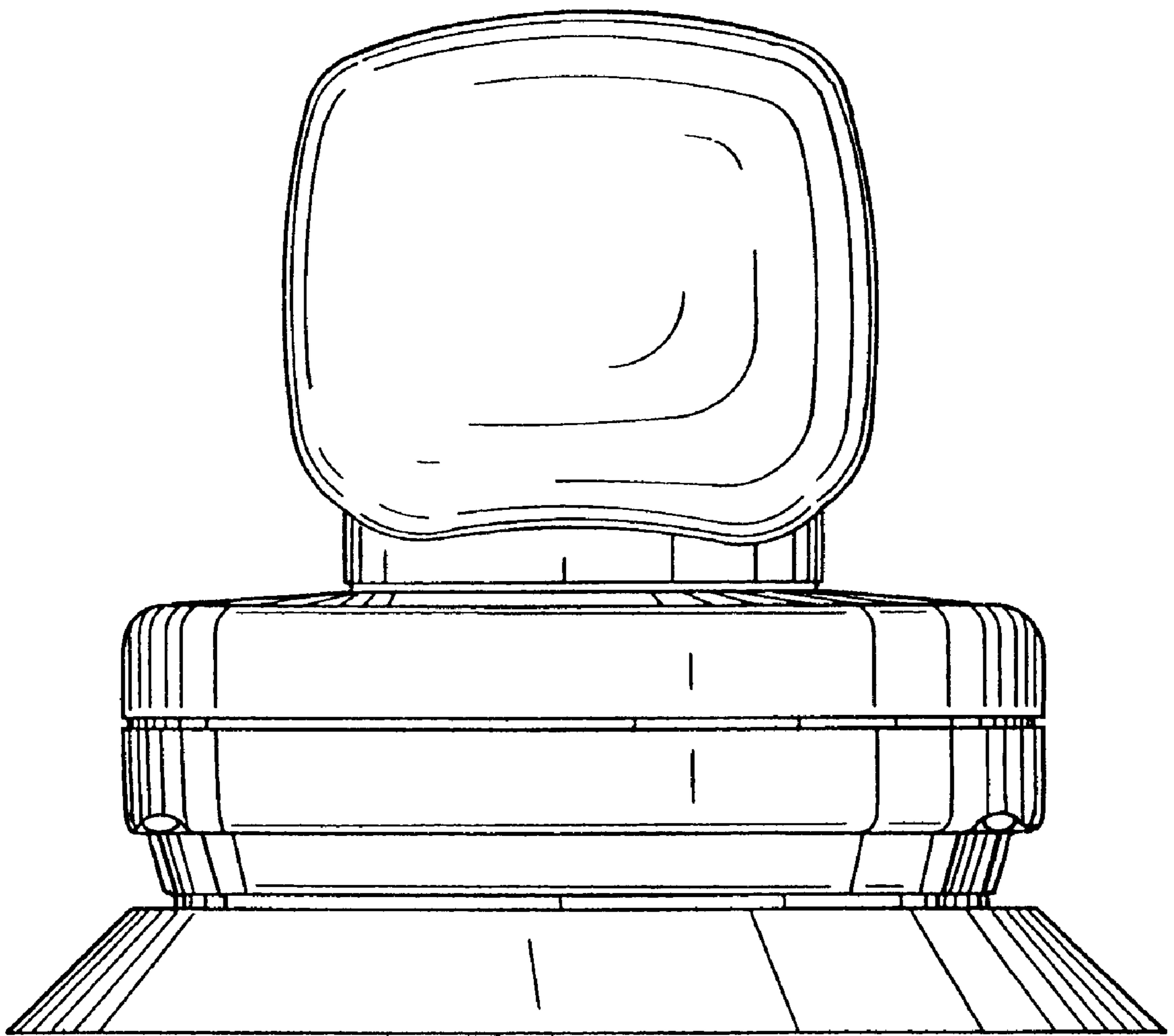


Fig. 5

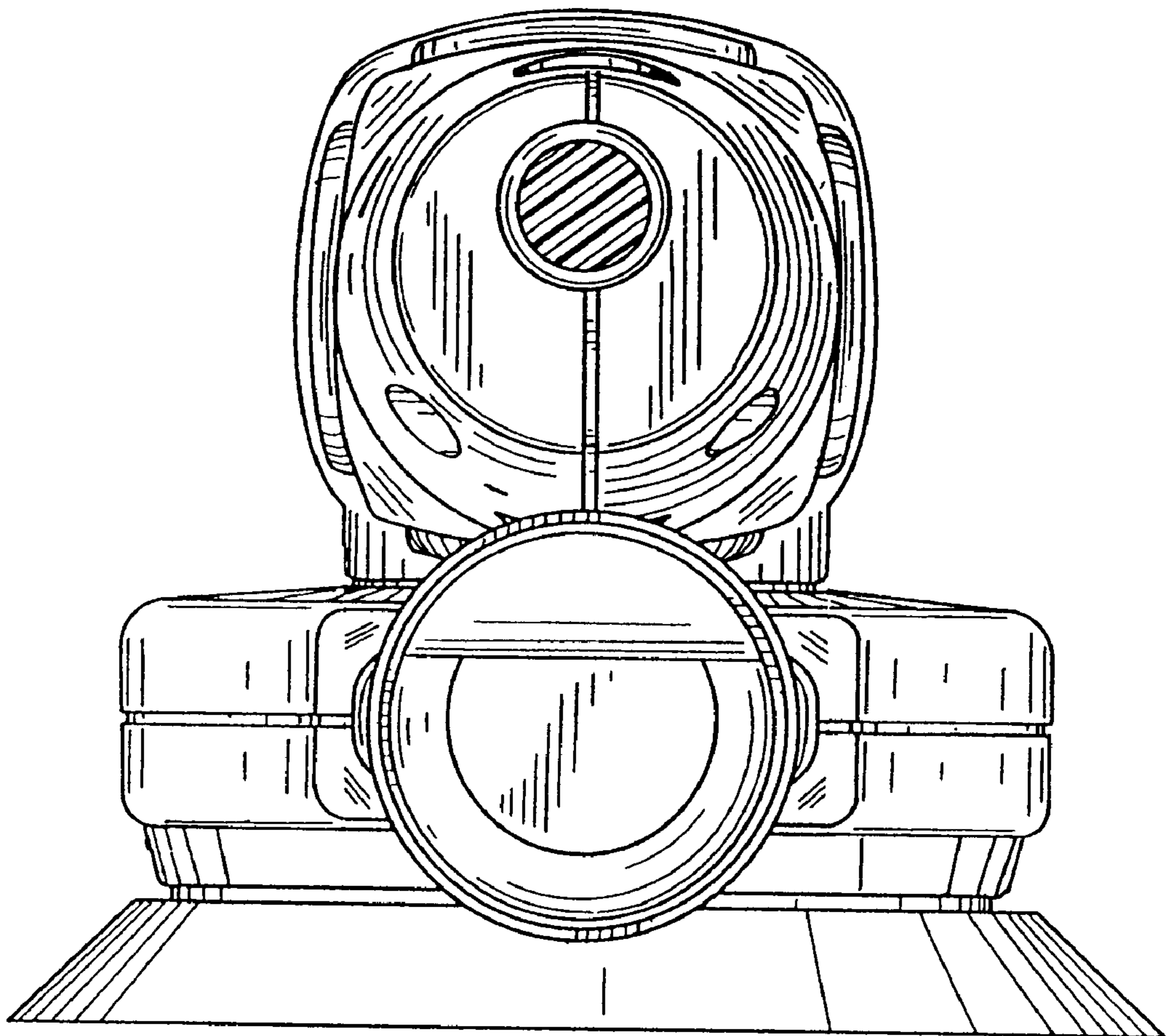


Fig. 6

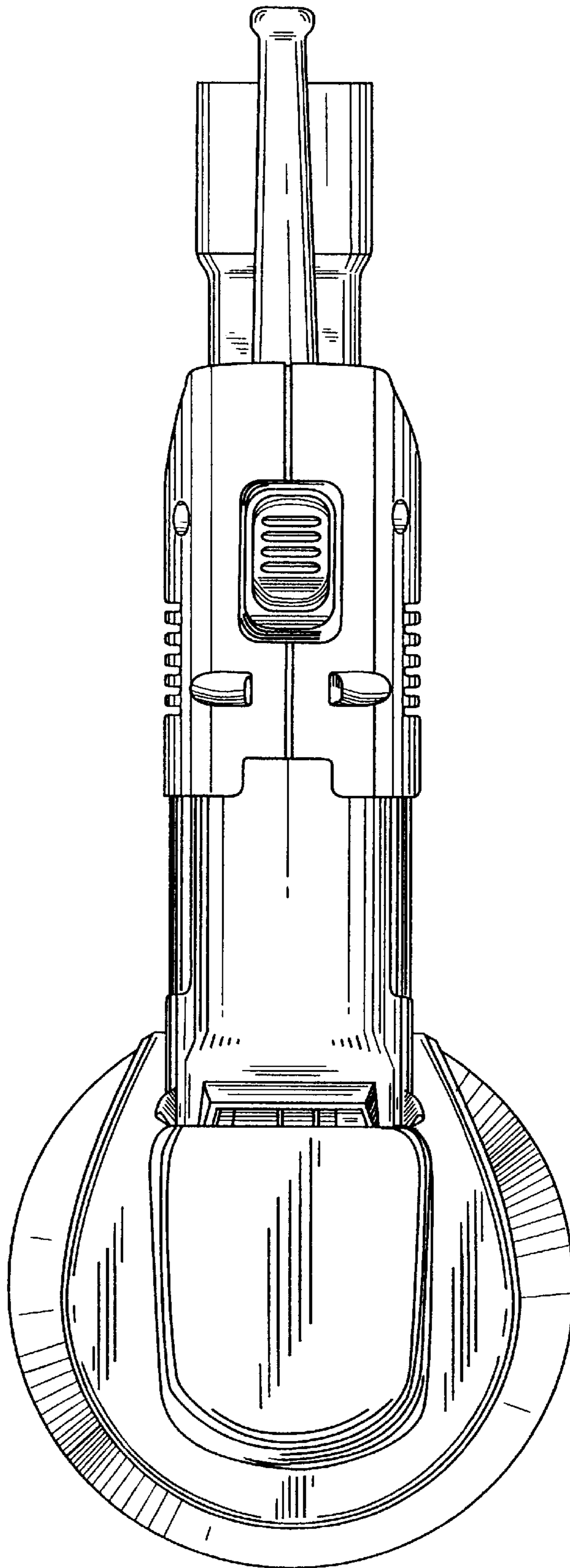


Fig. 7

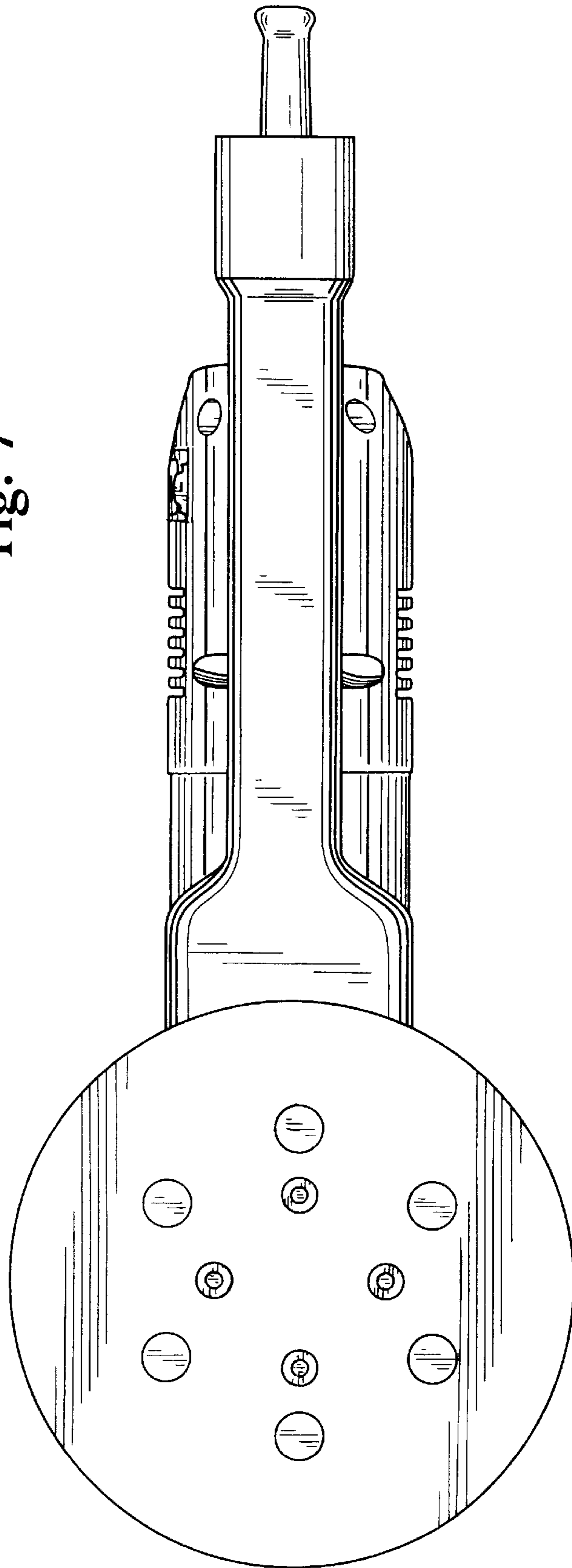


Fig. 8

