



US00D411087S

United States Patent [19]
English

[11] **Patent Number: Des. 411,087**
[45] **Date of Patent: ** Jun. 15, 1999**

[54] **PLIER TYPE RATCHET WRENCH**

3,577,816 5/1971 Alexander et al. 81/63.1
4,507,990 4/1985 Lack 81/57.39

[76] Inventor: **William W. English**, 3024 Yuma Ave.,
Odessa, Tex. 79764

Primary Examiner—Ted Shooman
Assistant Examiner—Richelle Shelton

[**] Term: **14 Years**

[57] **CLAIM**

[21] Appl. No.: **29/095,877**

The ornamental design for a plier type ratchet wrench, as shown and described.

[22] Filed: **Oct. 30, 1998**

[51] **LOC (6) Cl.** **08-05**

[52] **U.S. Cl.** **D8/25**

[58] **Field of Search** D8/21-29, 52;
81/57.31, 57.39, 60-63, 63.1, 63.2

DESCRIPTION

FIG. 1 is a front elevational view of the plier type ratchet wrench showing my new design;
FIG. 2 is a rear elevational view thereof;
FIG. 3 is a left side elevational view thereof;
FIG. 4 is a right side elevational view thereof;
FIG. 5 is a top plan view thereof; and,
FIG. 6 is a bottom plan view thereof.

[56] **References Cited**

U.S. PATENT DOCUMENTS

1,860,914 5/1932 Wellman 81/57.31
2,542,015 2/1951 Ellison 81/63 X
2,972,919 2/1961 Stalkup 81/63

1 Claim, 2 Drawing Sheets

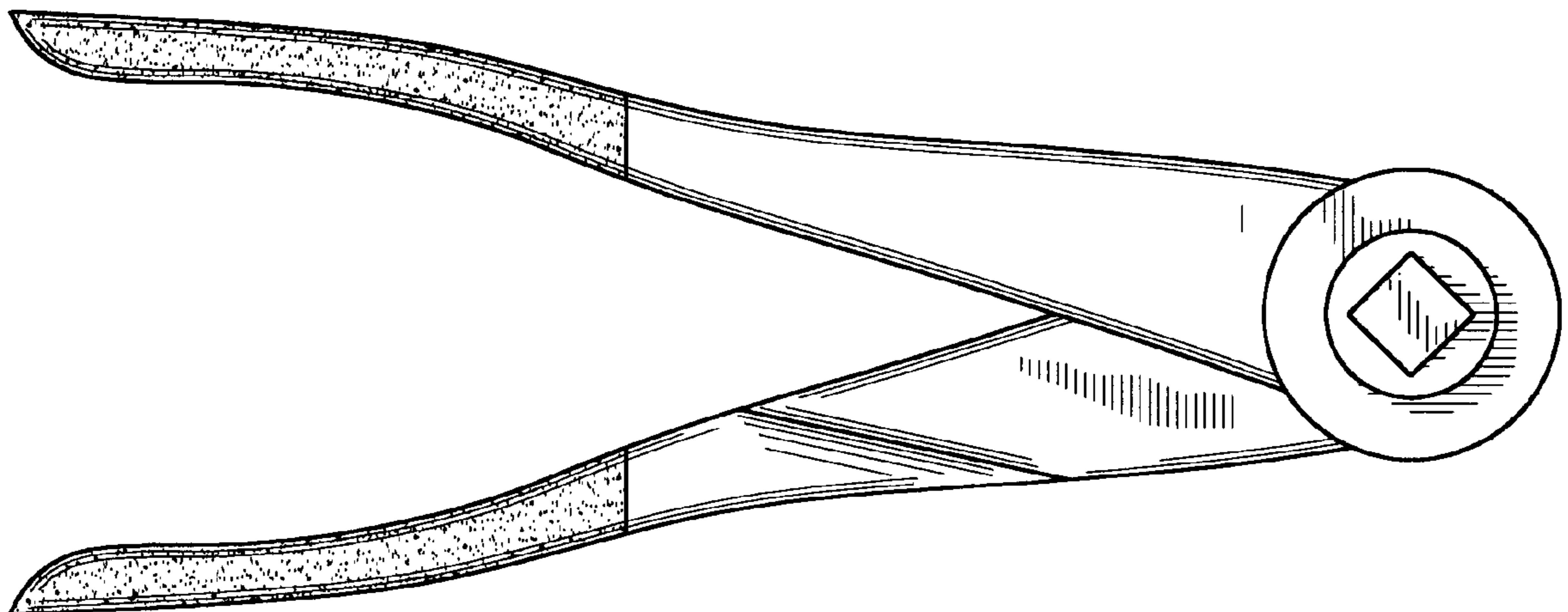


FIG. 1

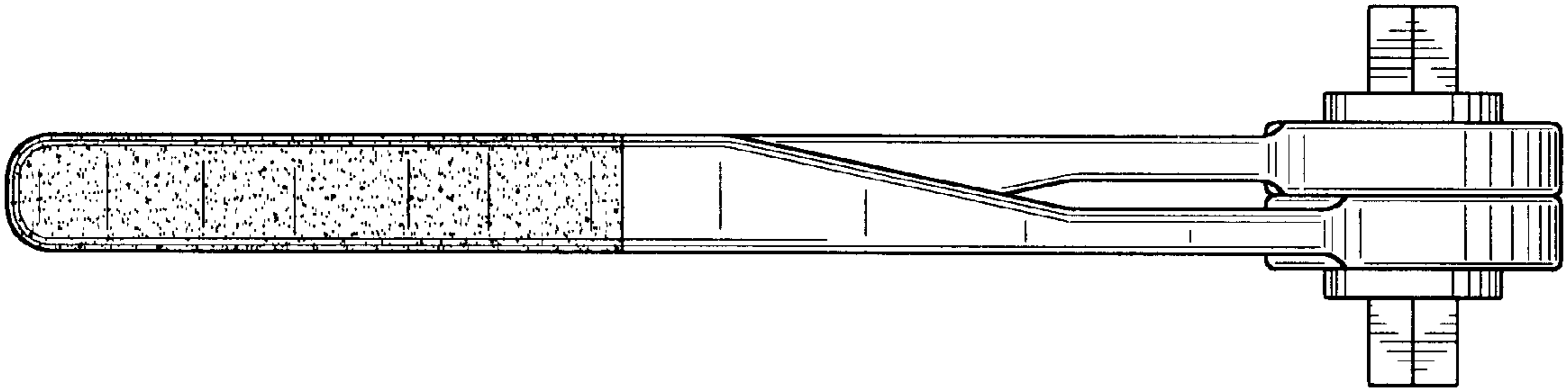


FIG. 2

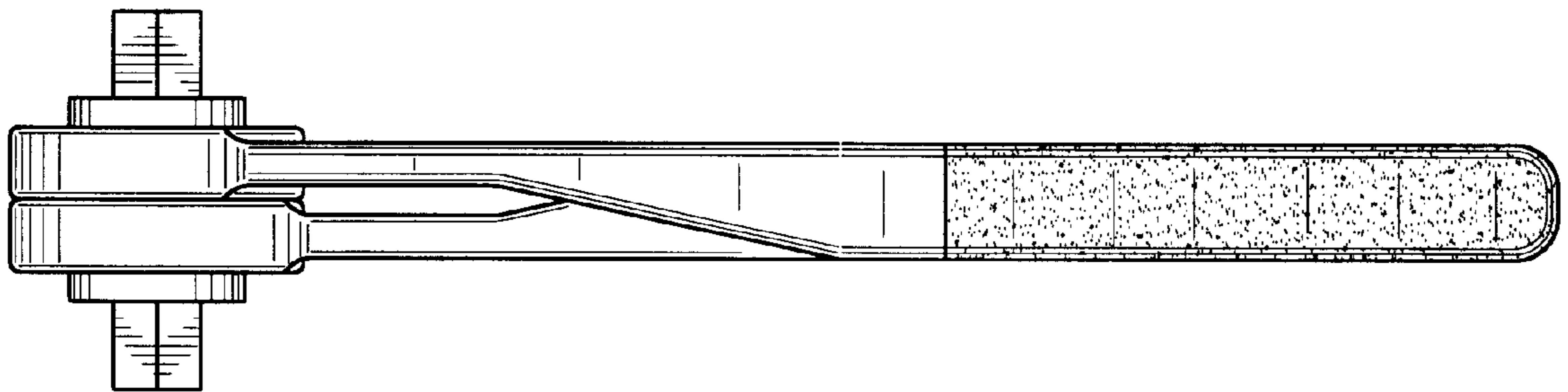


FIG. 3

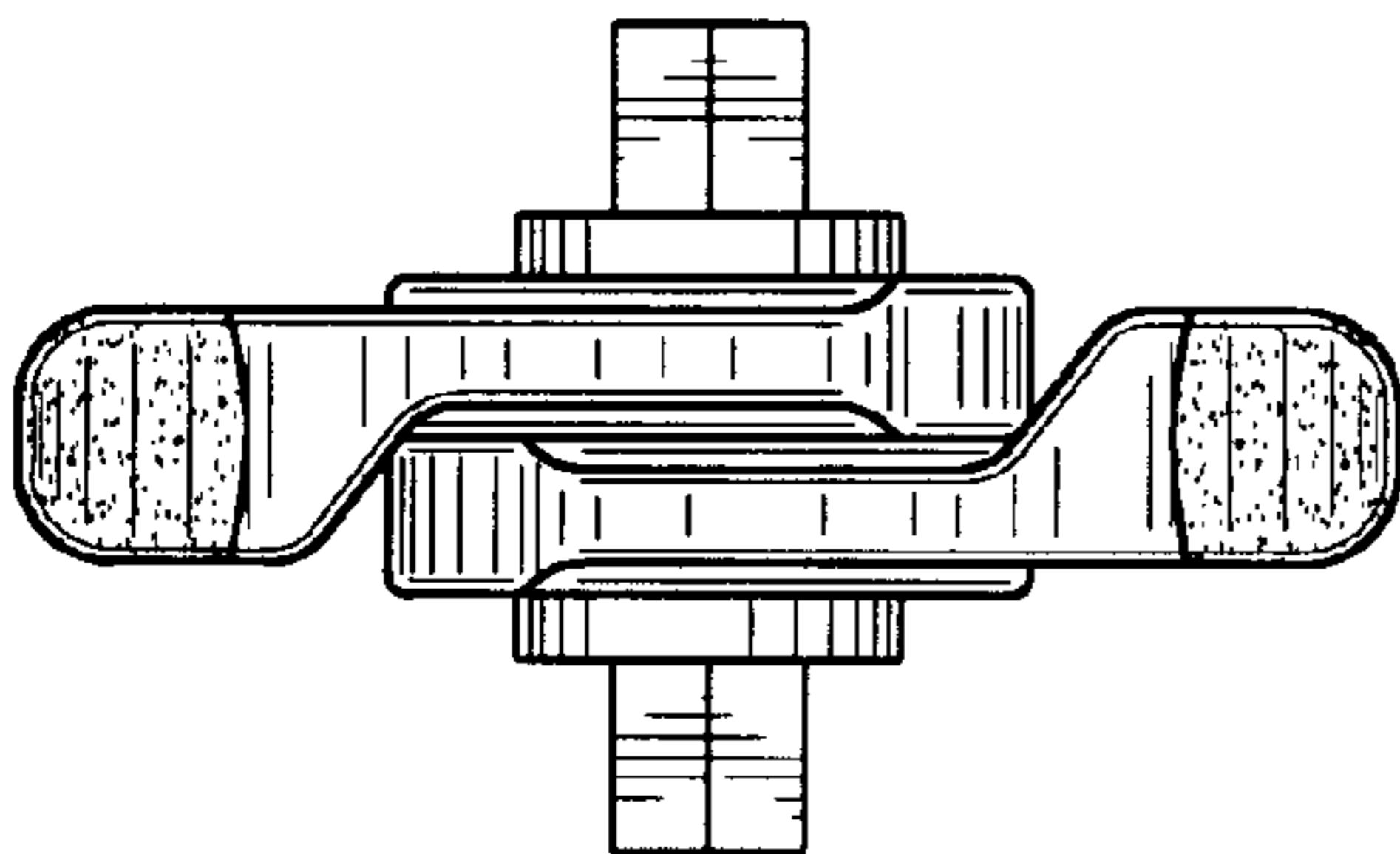


FIG. 4

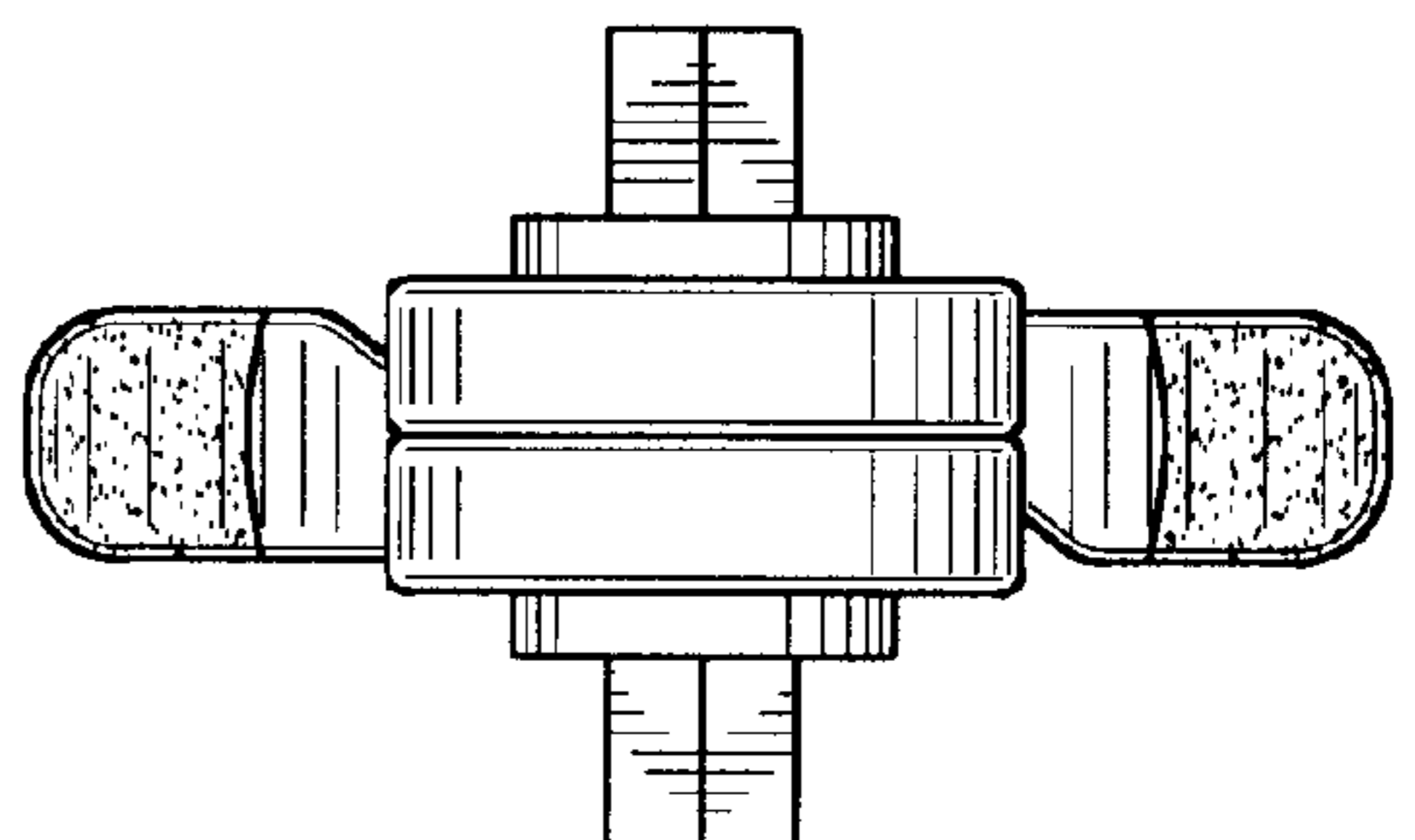


FIG. 5

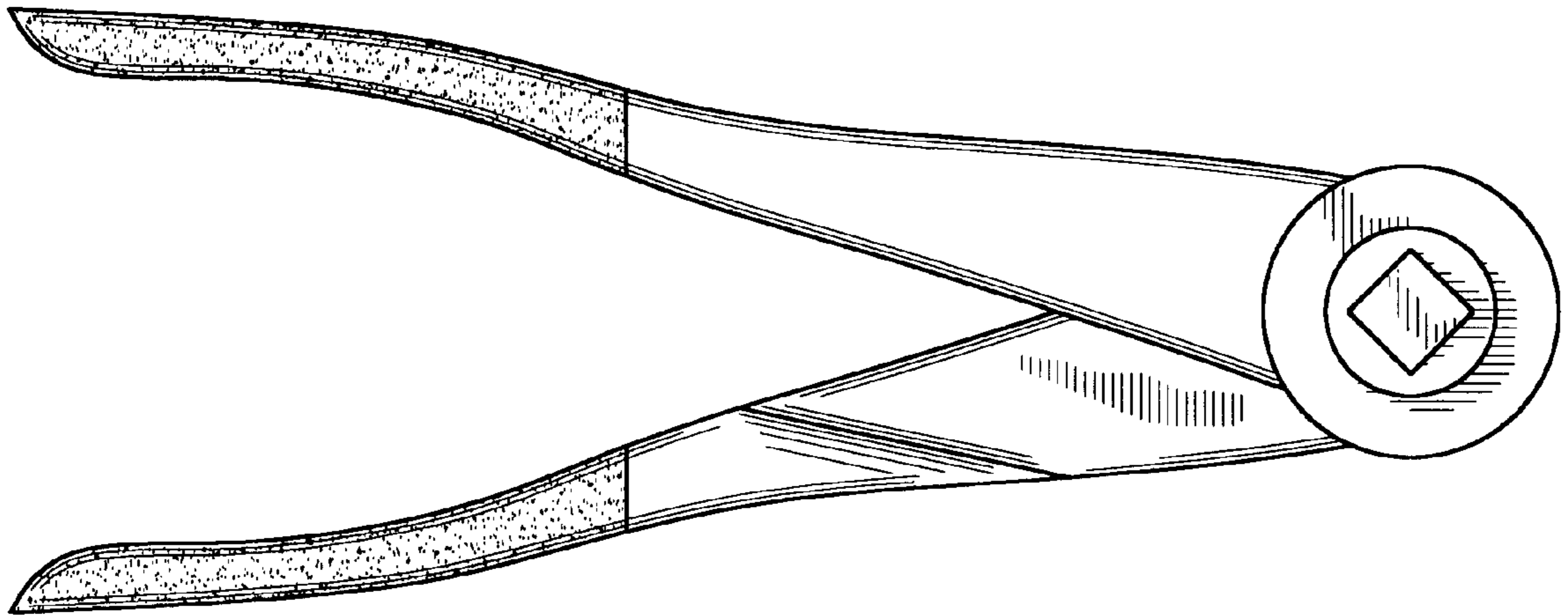


FIG. 6

