



US00D411083S

# United States Patent [19]

Clark et al.

[11] Patent Number: **Des. 411,083**

[45] Date of Patent: **\*\* Jun. 15, 1999**

[54] **ROASTING FORK TINES**

2,649,042 8/1953 Wickman ..... 99/421 A

[76] Inventors: **David D. Clark; Angela M. Clark,**  
both of 614 E. Park St., Taylorville, Ill.  
62568

*Primary Examiner*—Mitchell I Siegel  
*Attorney, Agent, or Firm*—Philip L. Bateman

[\*\*] Term: **14 Years**

[57] **CLAIM**

The ornamental design for a roasting fork tines, as shown and described.

[21] Appl. No.: **29/088,772**

[22] Filed: **Jun. 1, 1998**

**DESCRIPTION**

[51] **LOC (6) Cl.** ..... **07-06**

[52] **U.S. Cl.** ..... **D7/683**

[58] **Field of Search** ..... D7/683, 652, 672;  
30/129, 322, 323; 99/419, 421 P, 441; 294/50

FIG. 1 is a front, left side, and top perspective view of roasting fork tines showing my new design. The hot dog on the tines is shown in broken lines and is not part of the design. The handle and fragmented shaft are also shown in broken lines and are not part of the design;

FIG. 2 is a front elevation view of the roasting fork tines; FIG. 3 is a rear elevation view thereof;

FIG. 4 is a top plan view thereof;

FIG. 5 is a left side elevation view thereof; and,

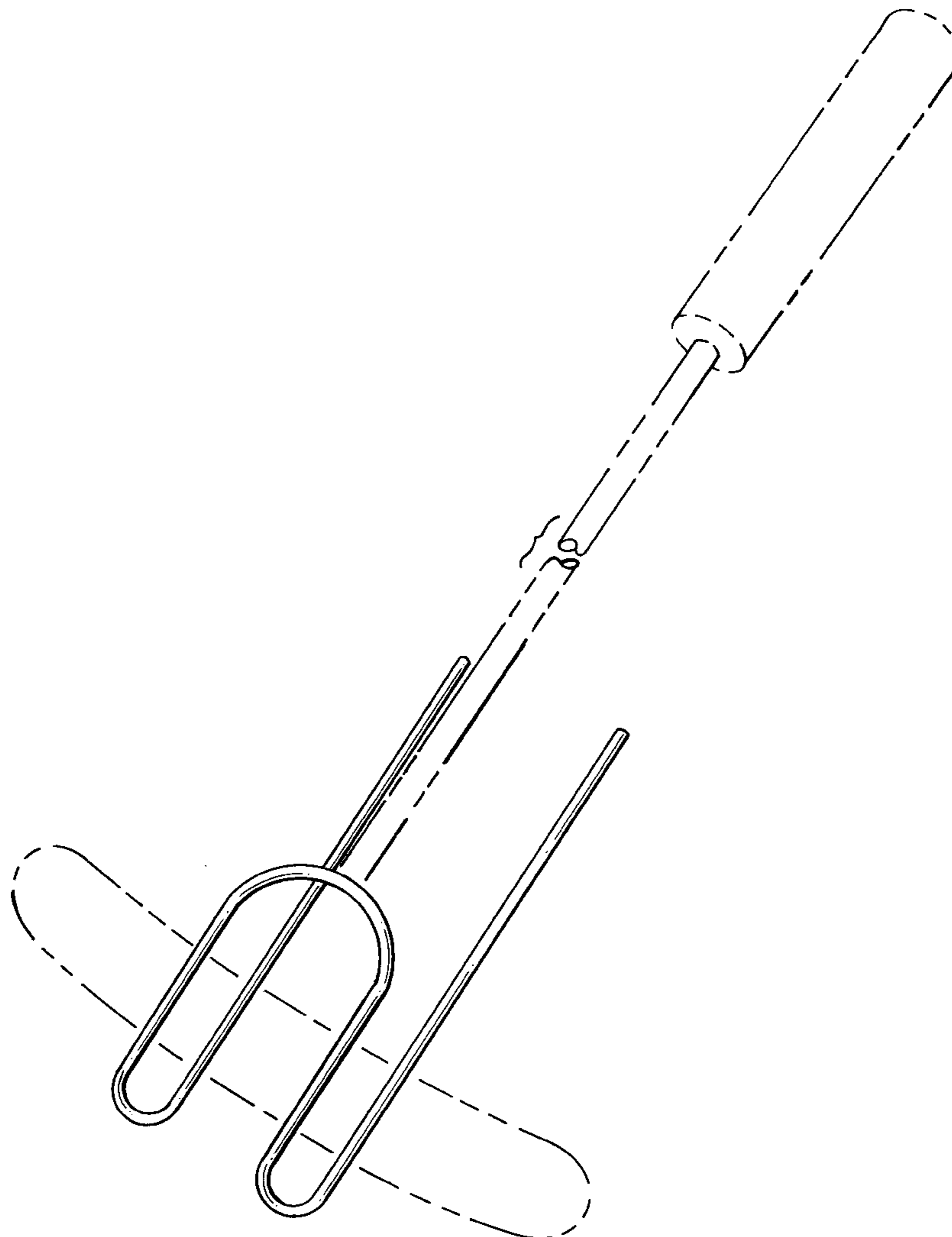
FIG. 6 is a bottom plan view thereof.

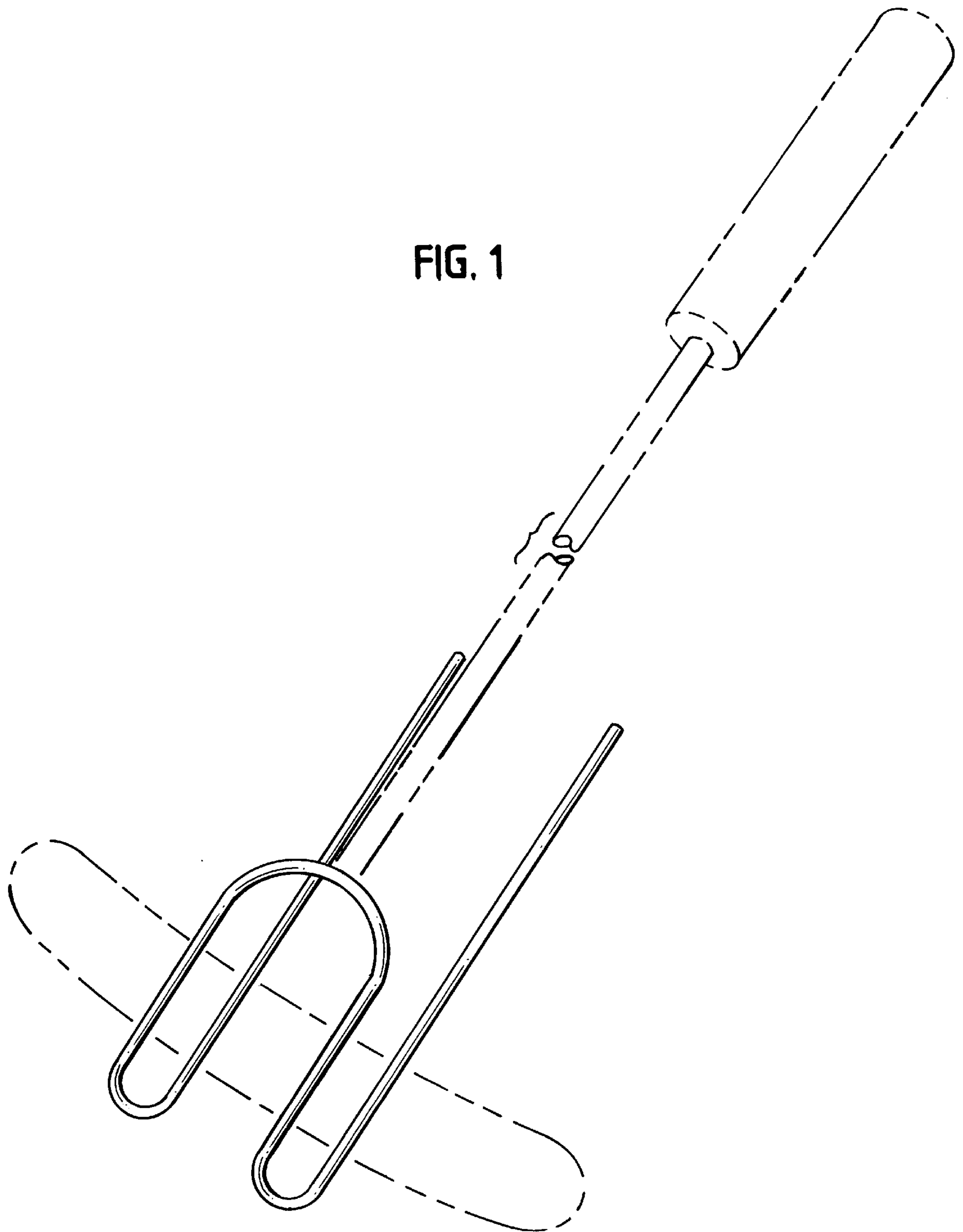
[56] **References Cited**

**U.S. PATENT DOCUMENTS**

- D. 185,377 6/1959 May, Jr. .... D7/683
- D. 244,903 7/1977 Hildebrand ..... D7/683
- D. 304,539 11/1989 Johansson ..... D7/683
- D. 395,988 7/1998 Badour ..... D7/683

**1 Claim, 2 Drawing Sheets**





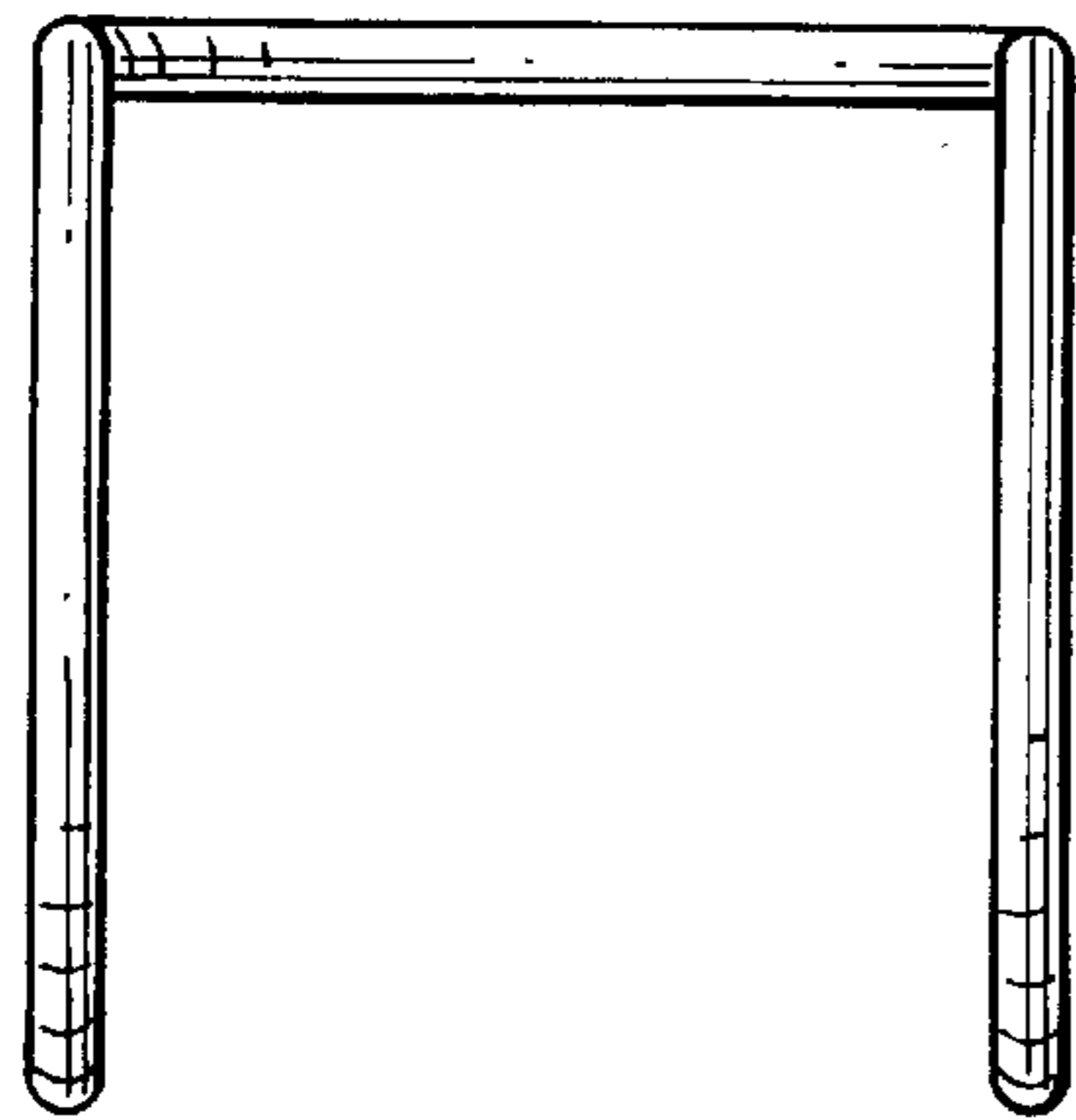


FIG. 2

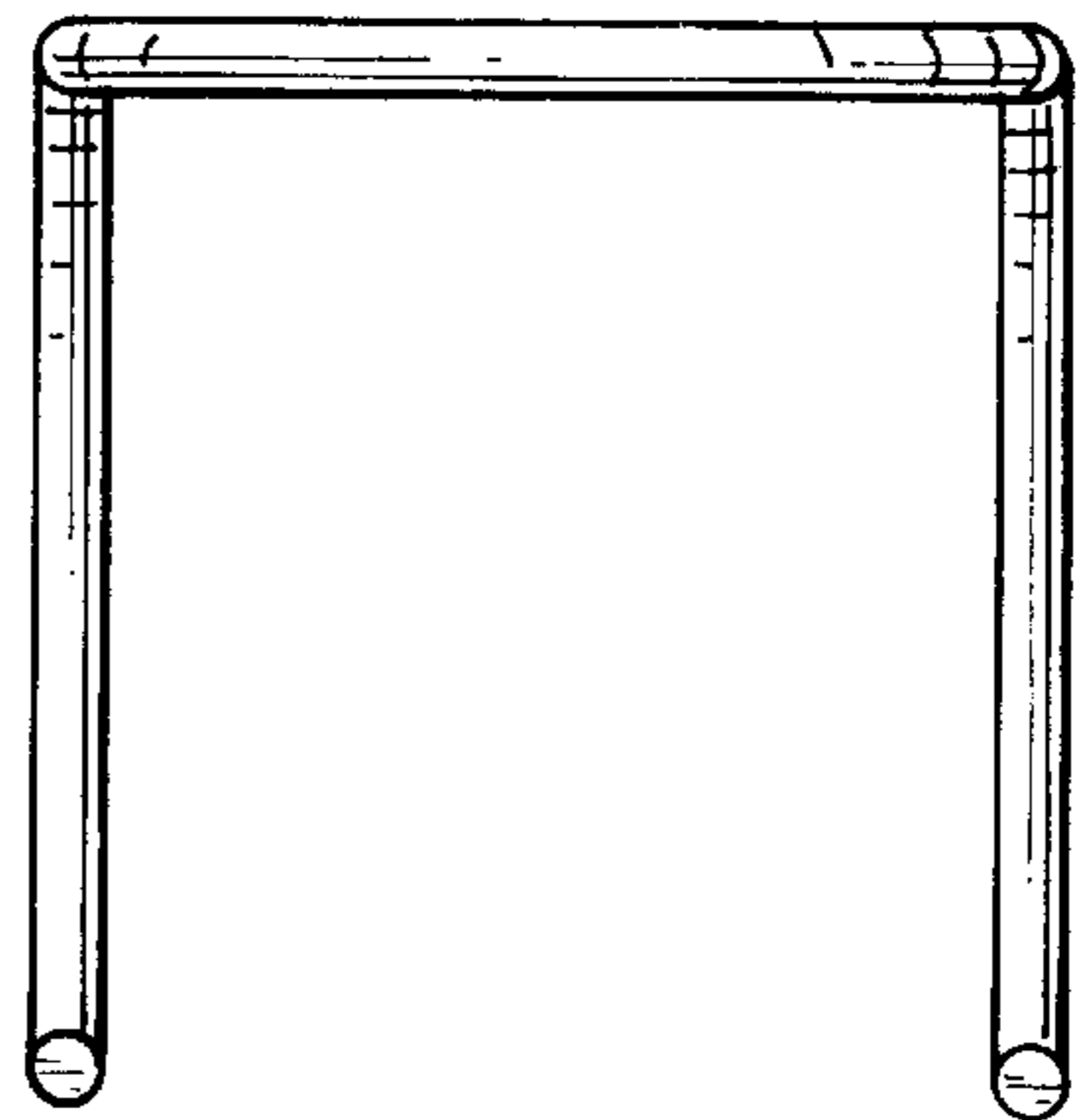


FIG. 3

FIG. 4

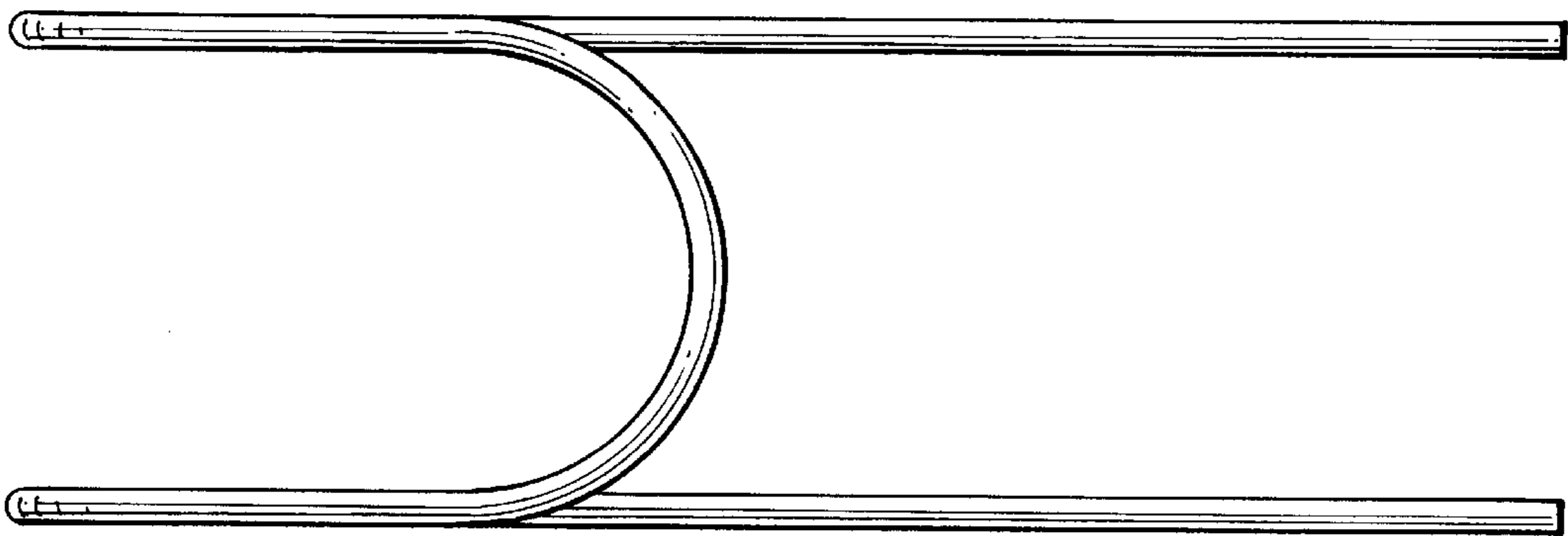


FIG. 5

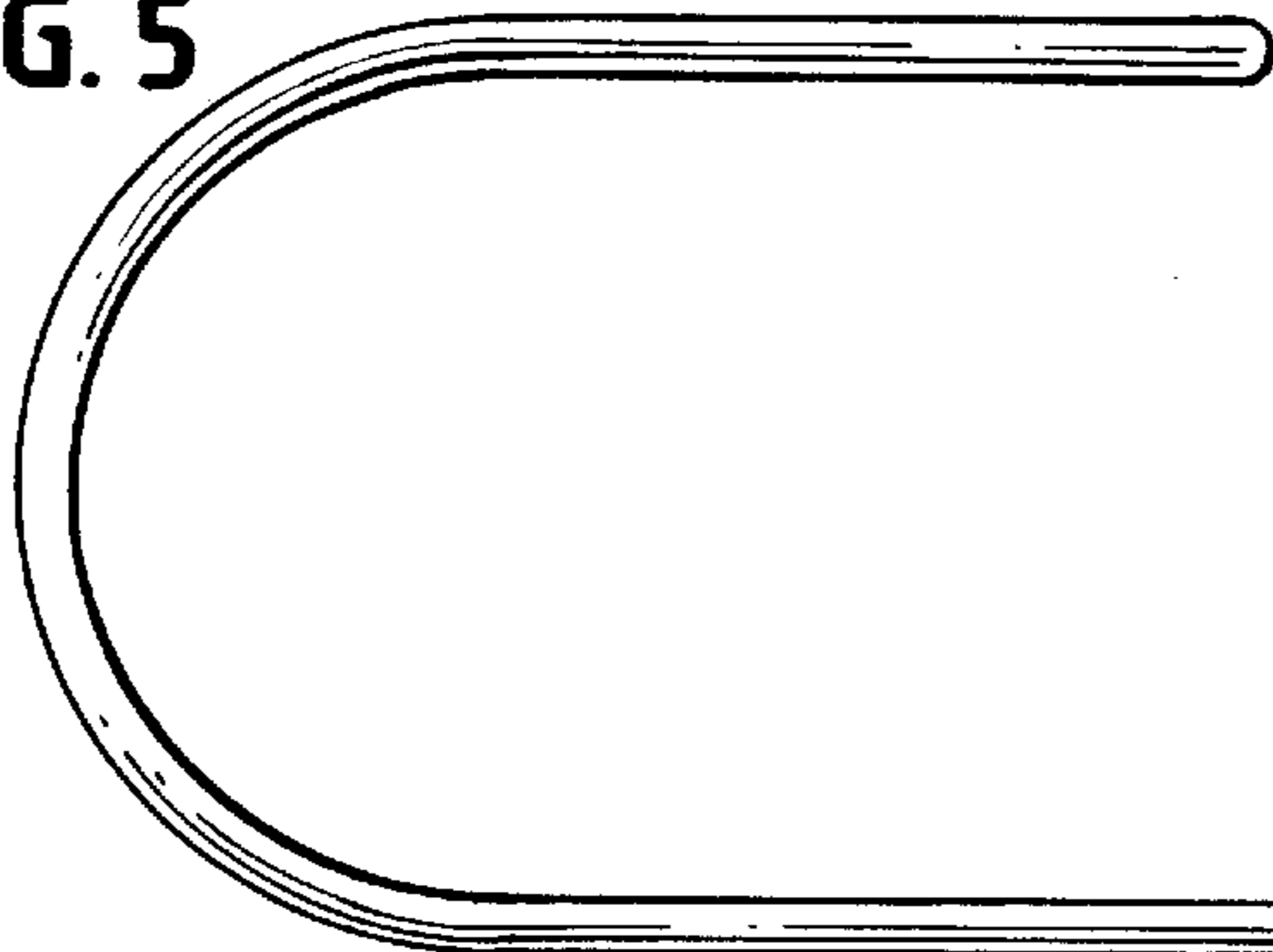


FIG. 6

