



US00D411078S

# United States Patent [19] Cornelissen

[11] **Patent Number: Des. 411,078**  
[45] **Date of Patent: \*\* Jun. 15, 1999**

[54] **BOWL**

[75] Inventor: **Tuur Cornelissen**, Blankerbergen, Belgium

[73] Assignee: **De Ster N.V.**, Hoogstraten, Belgium

[\*\*] Term: **14 Years**

[21] Appl. No.: **29/078,583**

[22] Filed: **Oct. 14, 1997**

### [30] Foreign Application Priority Data

Apr. 11, 1997 [DE] Germany ..... M 97 03 728

[51] **LOC (6) Cl.** ..... **07-01**

[52] **U.S. Cl.** ..... **D7/586; D7/587; D7/566**

[58] **Field of Search** ..... D7/587, 586, 588,  
D7/558, 566, 354, 554.2, 550.1, 601, 602;  
220/555, 574, 23.2, 505; 206/378, 509;  
D30/129, 130

### [56] References Cited

#### U.S. PATENT DOCUMENTS

D. 109,508 5/1938 Wood ..... D7/586  
D. 154,272 6/1949 Heim ..... D7/550.1  
D. 170,788 11/1953 Zeisel ..... D7/586

D. 173,657 12/1954 James ..... D7/586  
D. 180,329 5/1957 Highberger ..... 220/574 X  
D. 186,040 9/1959 Stageberg ..... D7/566  
D. 186,041 9/1959 Stageberg ..... D7/566  
D. 279,445 7/1985 Jagger ..... D7/586  
D. 287,449 12/1986 Laslo ..... D7/587 X  
D. 296,746 7/1988 Wiinblad ..... D7/586  
3,190,486 6/1965 Rech ..... 220/574  
5,626,256 5/1997 Onneweer ..... 220/574

*Primary Examiner*—M. N. Pandozzi  
*Attorney, Agent, or Firm*—Shlesinger, Arkwright & Garvey LLP

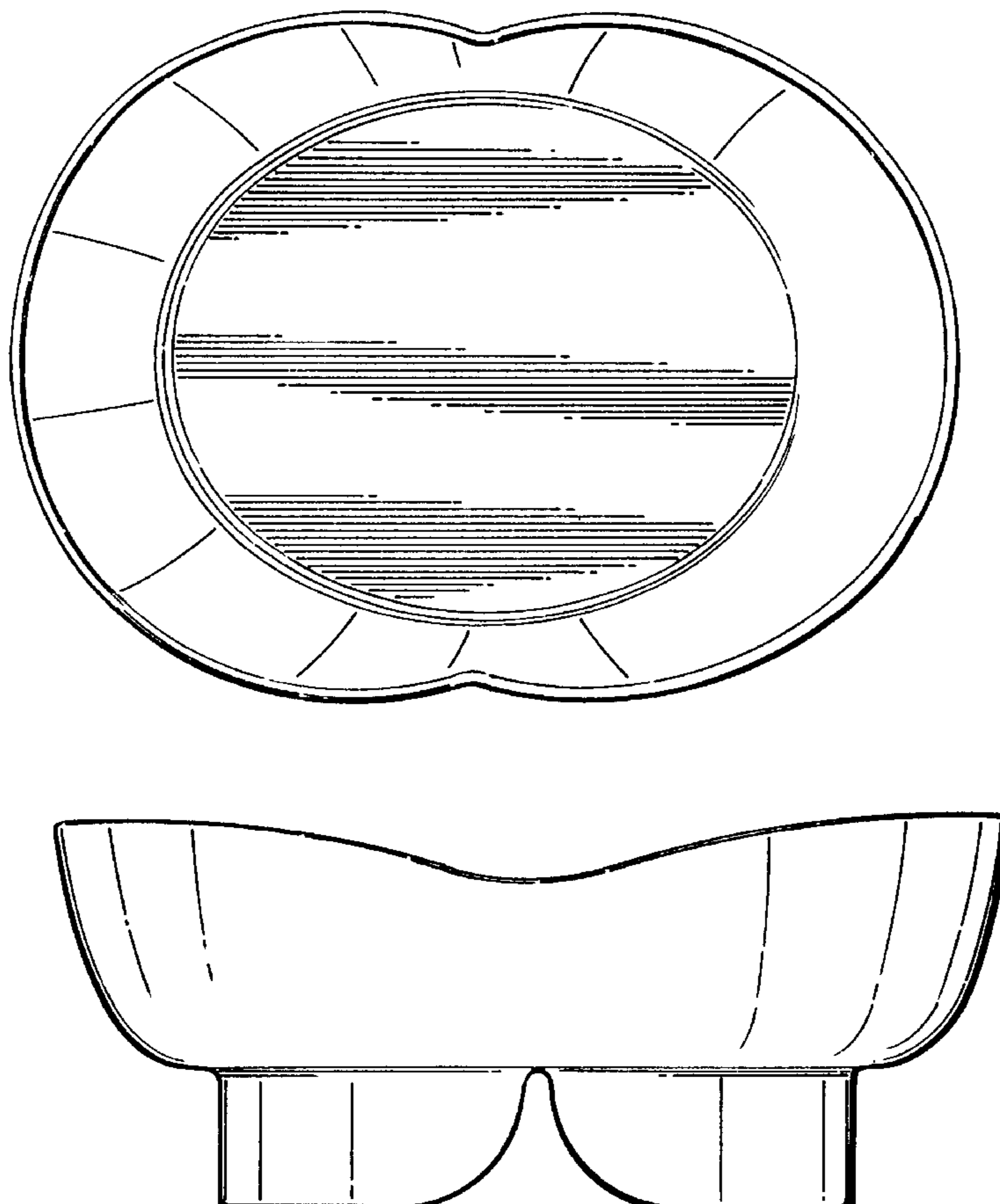
### [57] CLAIM

The ornamental design for a bowl, as shown and described.

### DESCRIPTION

FIG. 1 is a top perspective view of a bowl showing my new design;  
FIG. 2 is a top plan view of the bowl of FIG. 1;  
FIG. 3 is a front view of the bowl of FIG. 1, the rear view being a mirror image thereof;  
FIG. 4 is a bottom plan view of the bowl of FIG. 1; and,  
FIG. 5 is a left side view of the bowl of FIG. 1, the right side view being a mirror image thereof.

**1 Claim, 2 Drawing Sheets**



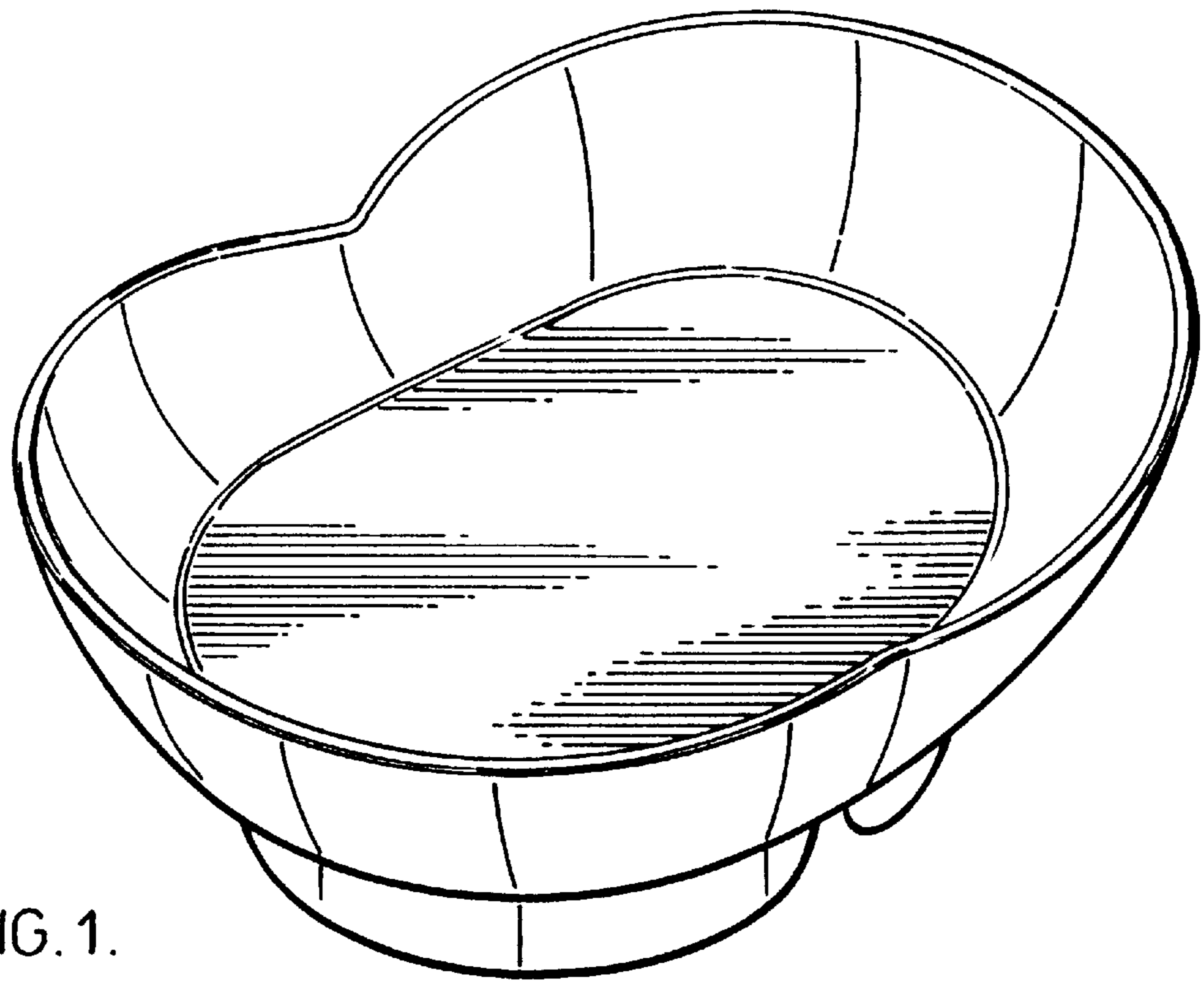


FIG. 1.

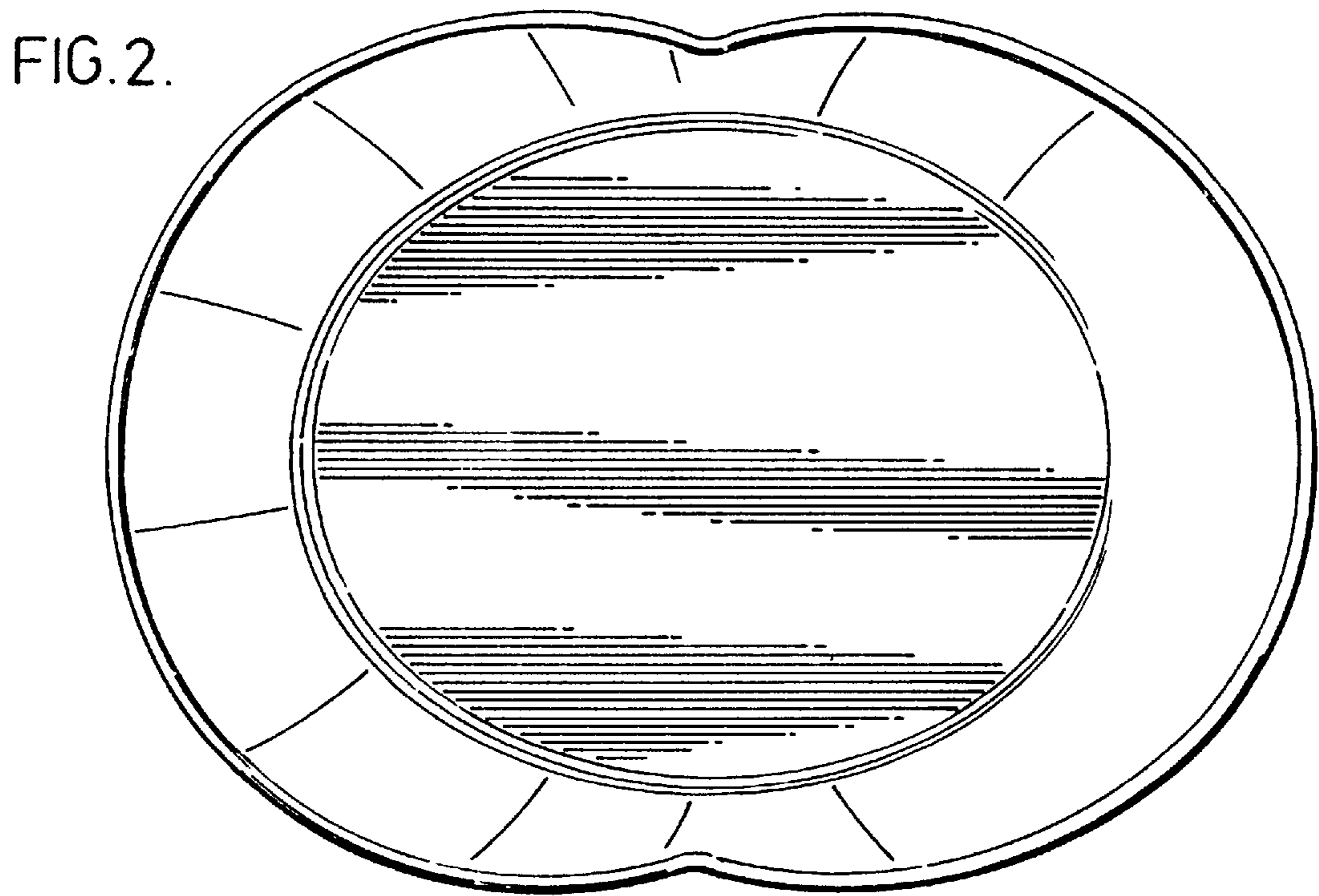
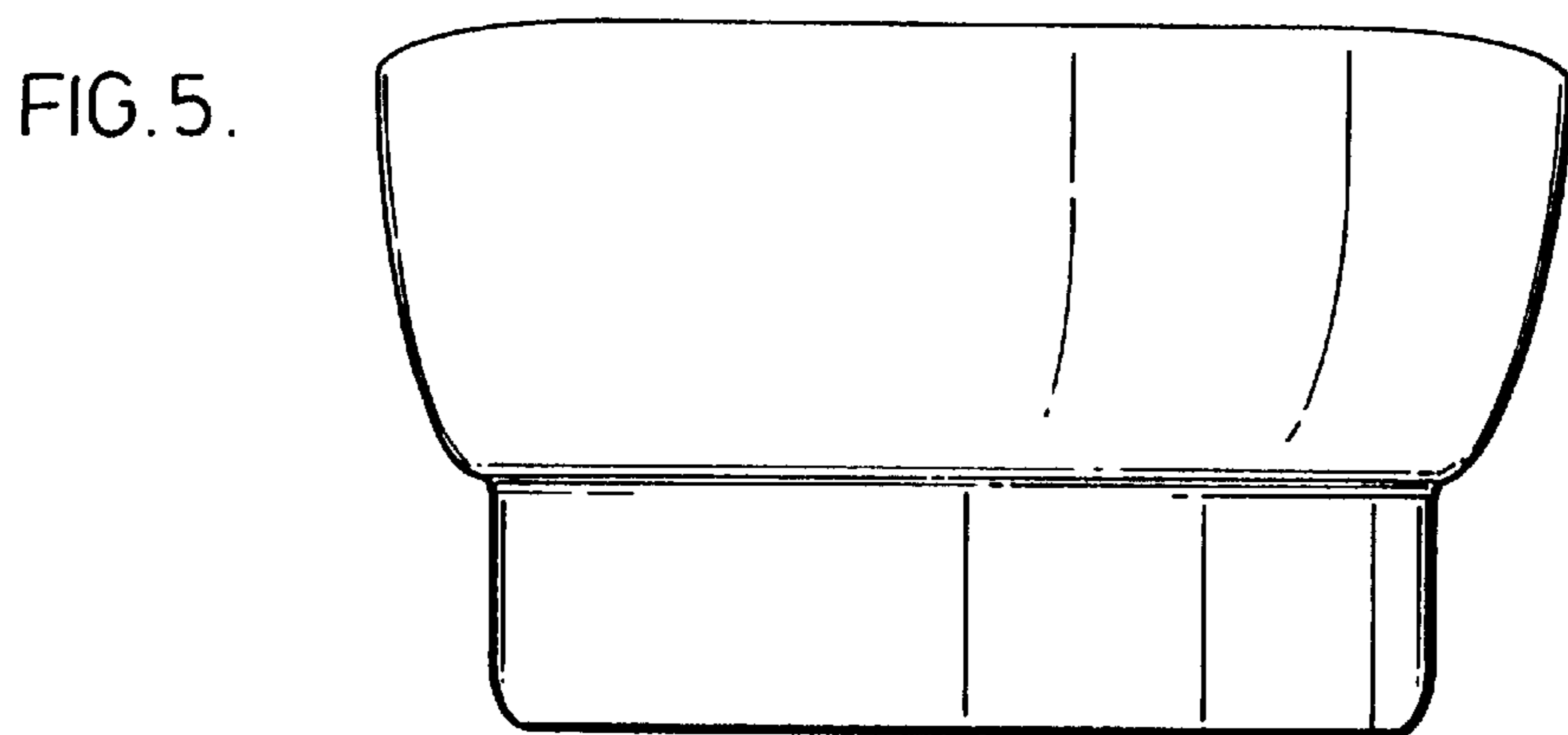
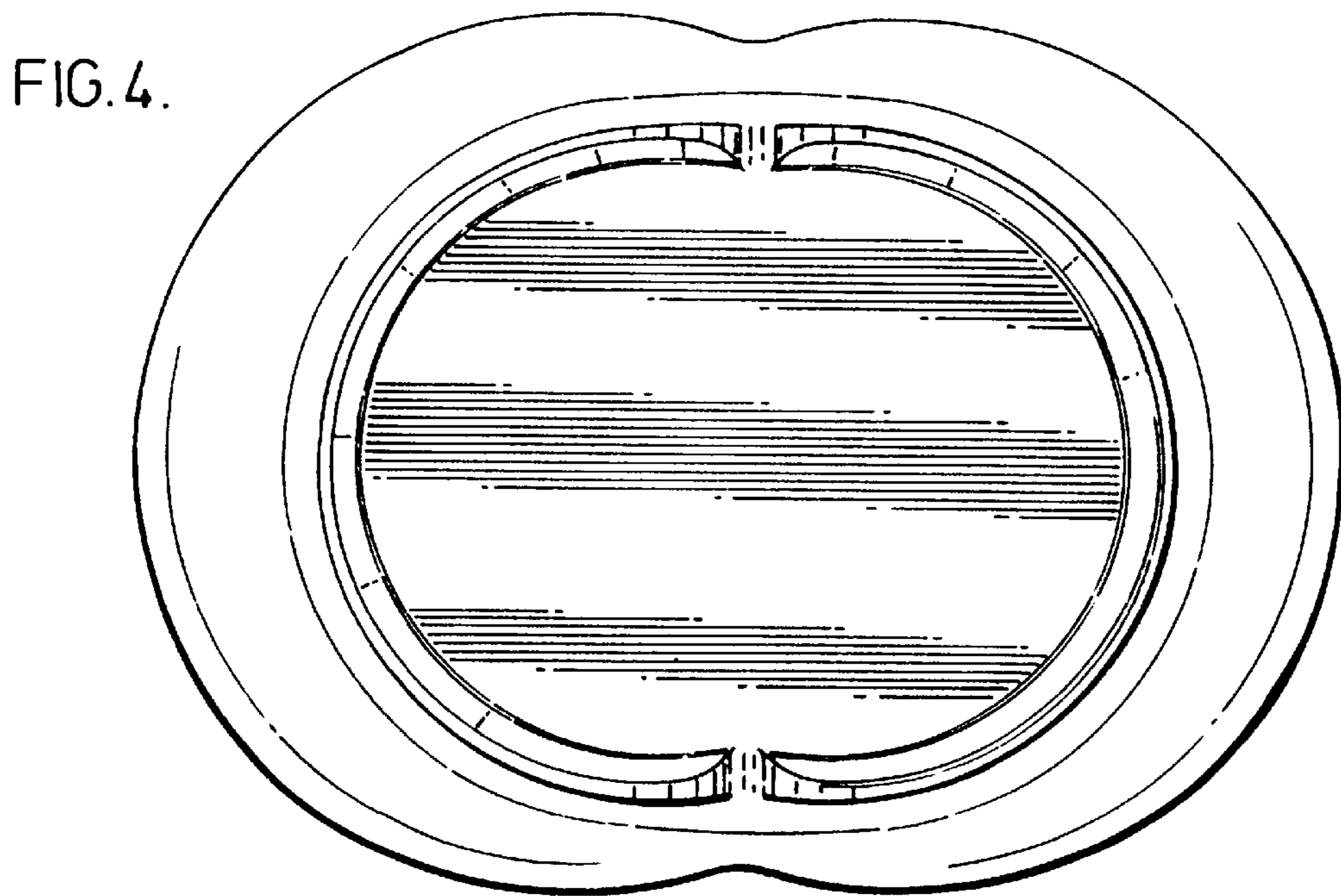
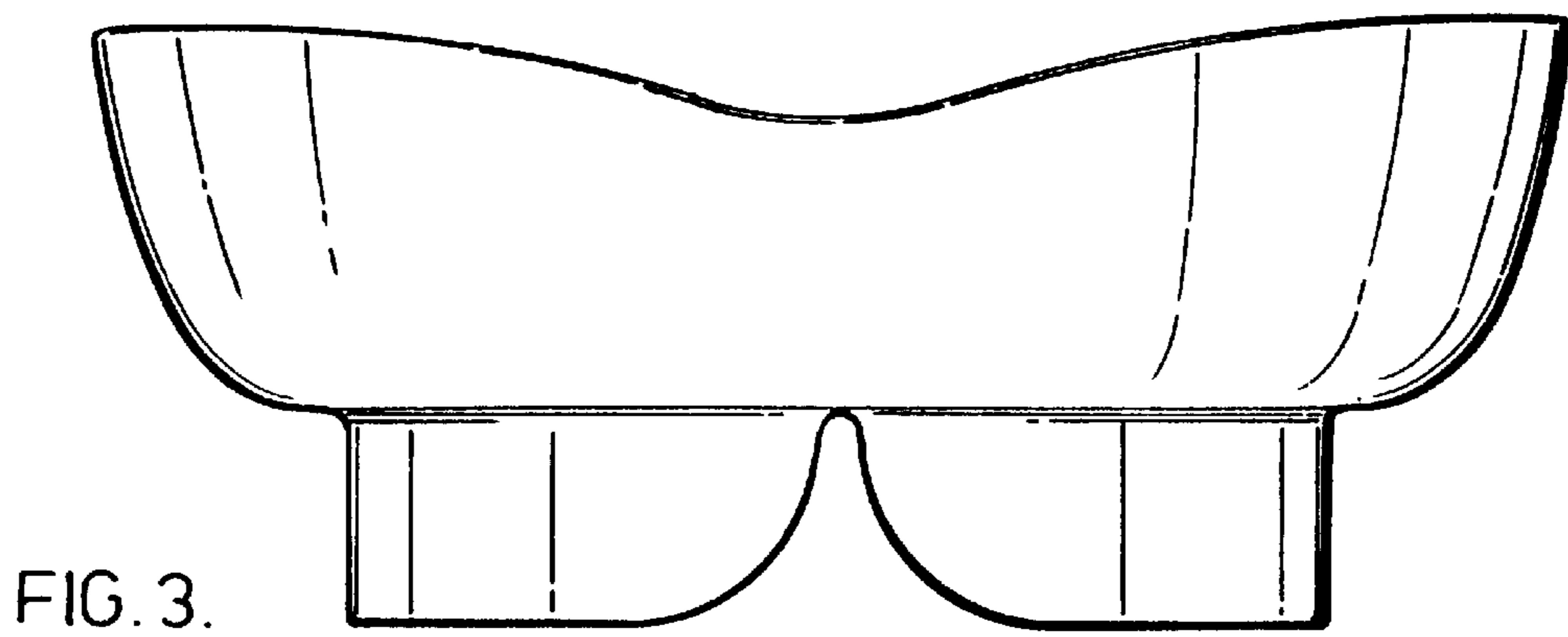


FIG. 2.



UNITED STATES PATENT AND TRADEMARK OFFICE  
**CERTIFICATE OF CORRECTION**

PATENT NO. : Des. 411, 078  
DATED : June 15, 1999  
INVENTOR(S) : Tuur Cornelissen

It is certified that error appears in the above-identified patent and that said Letters Patent is hereby corrected as shown below:

On the title page: Item [75] Inventor: "BLANKERBERGEN" to  
--BLANKENBERGE--.

Signed and Sealed this  
Eighth Day of August, 2000



Q. TODD DICKINSON

*Director of Patents and Trademarks*

*Attest:*

*Attesting Officer*