



US00D411076S

United States Patent [19] Evers

[11] **Patent Number: Des. 411,076**
[45] **Date of Patent: ** Jun. 15, 1999**

[54] **BEVERAGE DISPENSER COVER**

[75] Inventor: **Dolores B. Evers**, Staten Island, N.Y.

[73] Assignee: **Crescent Caterers, Inc.**, Staten Island, N.Y.

[**] Term: **14 Years**

[21] Appl. No.: **29/092,029**

[22] Filed: **Aug. 11, 1998**

[51] **LOC (6) Cl.** **07-99**

[52] **U.S. Cl.** **D7/392; D7/391**

[58] **Field of Search** D7/301, 302, 300,
D7/312, 313, 316, 317, 318, 319, 321,
322, 392, 391; 222/472, 465.1; 150/154,
165

[56] **References Cited**

U.S. PATENT DOCUMENTS

D. 174,237	3/1955	Sieling	D7/312
D. 244,402	5/1977	Less et al.	D7/312
D. 315,078	3/1991	Nikolaiczuk et al.	D7/391
D. 356,713	3/1995	Groover	D7/306
D. 358,289	5/1995	Thies et al.	D7/306
3,023,790	3/1962	Zaruba	D7/306
3,178,557	4/1965	Umann	D7/306
4,891,918	1/1990	Wiley	150/154 X
5,356,046	10/1994	Burke	150/154 X

5,454,492 10/1995 Hunter et al. 150/154 X

Primary Examiner—M. N. Pandozzi

Attorney, Agent, or Firm—Amster, Rothstein & Ebenstein

[57] **CLAIM**

The ornamental design for a beverage dispenser cover, as shown and described.

DESCRIPTION

FIG. 1 is a side elevational view of a first embodiment of a beverage dispenser cover showing my new design, the view from the other side being a mirror image thereof;

FIG. 2 is a front elevational view thereof;

FIG. 3 is a rear elevational view thereof;

FIG. 4 is a top plan view thereof;

FIG. 5 is a bottom plan view thereof;

FIG. 6 is a side elevational view of a second embodiment thereof, the view from the other side being a mirror image thereof;

FIG. 7 is a front elevational view thereof;

FIG. 8 is a rear elevational view thereof;

FIG. 9 is a top plan view thereof; and,

FIG. 10 is a bottom plan view thereof.

The broken line showing of a beverage dispenser base and spout is for illustrative purposes only and forms no part of the claimed design. The vertical broken lines on the cover represent stitching.

1 Claim, 9 Drawing Sheets

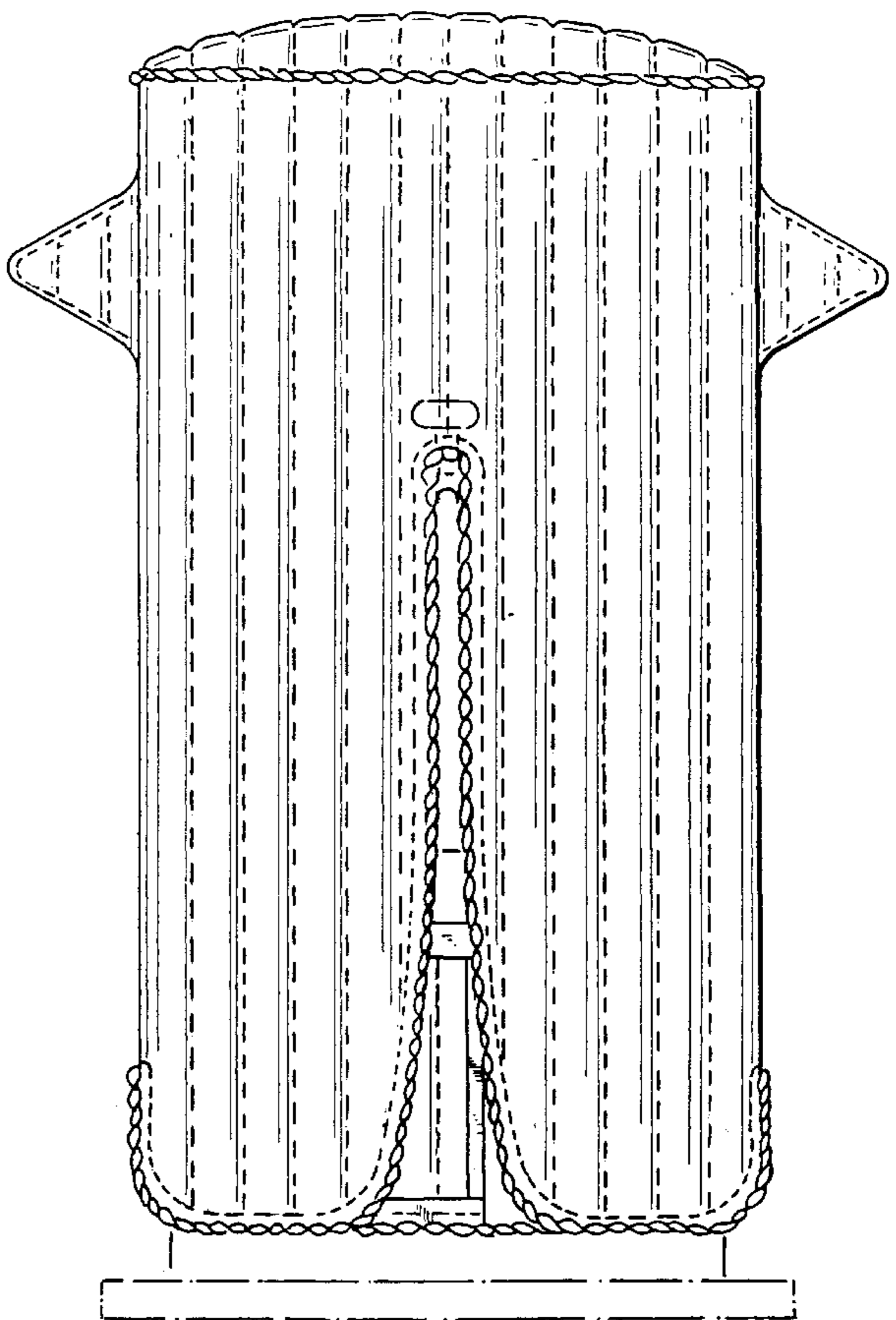
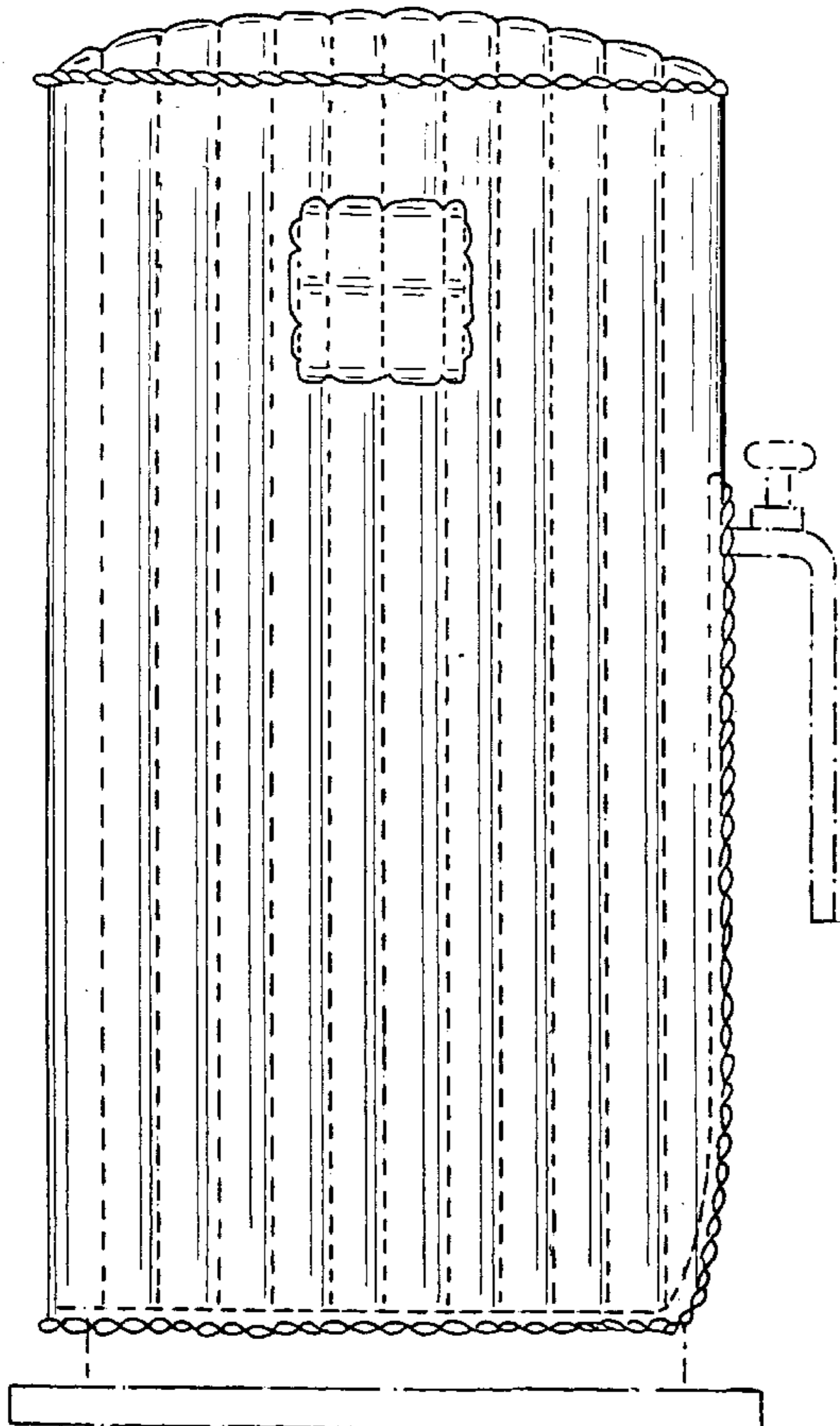


FIG. 1

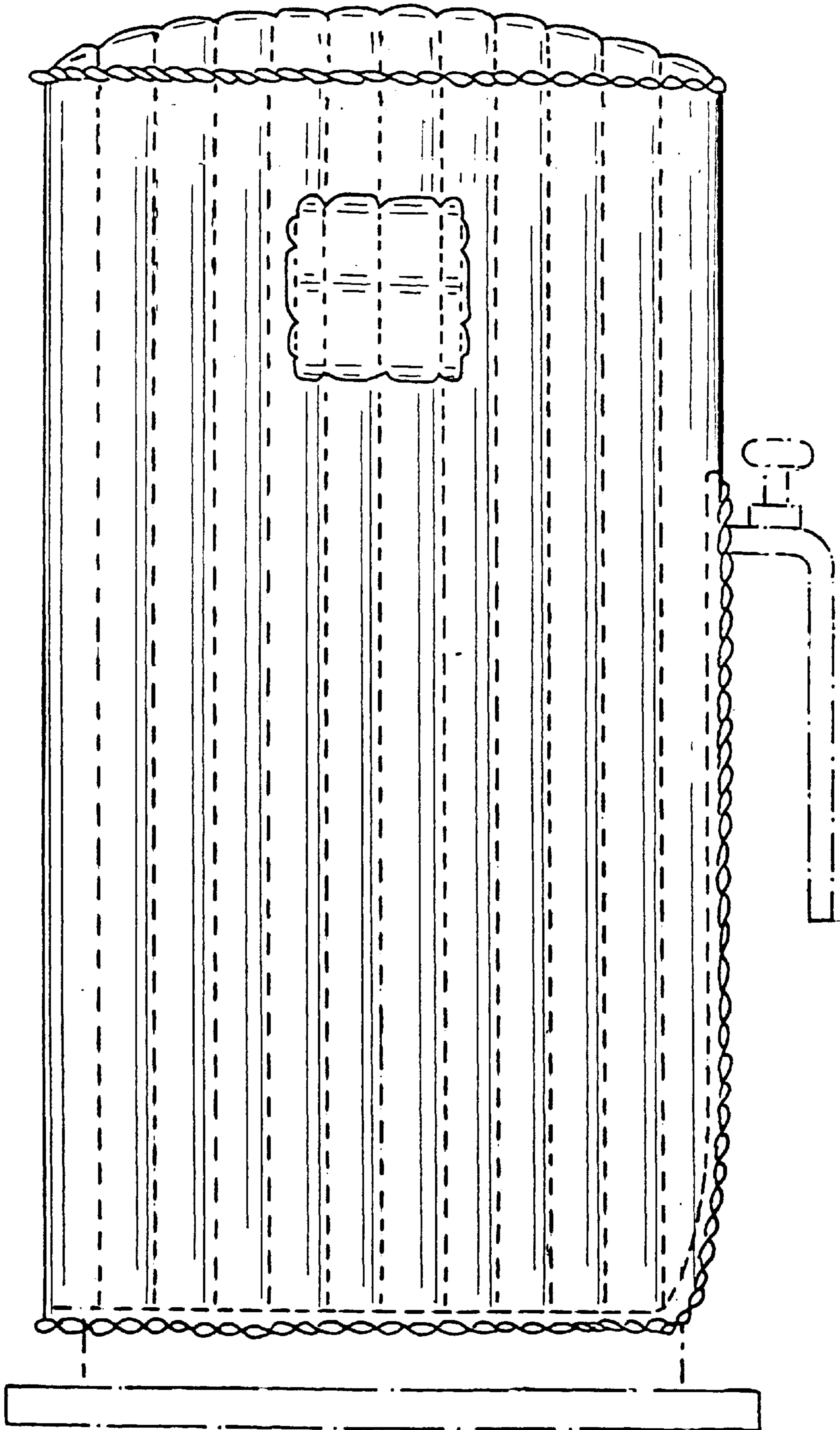


FIG. 2

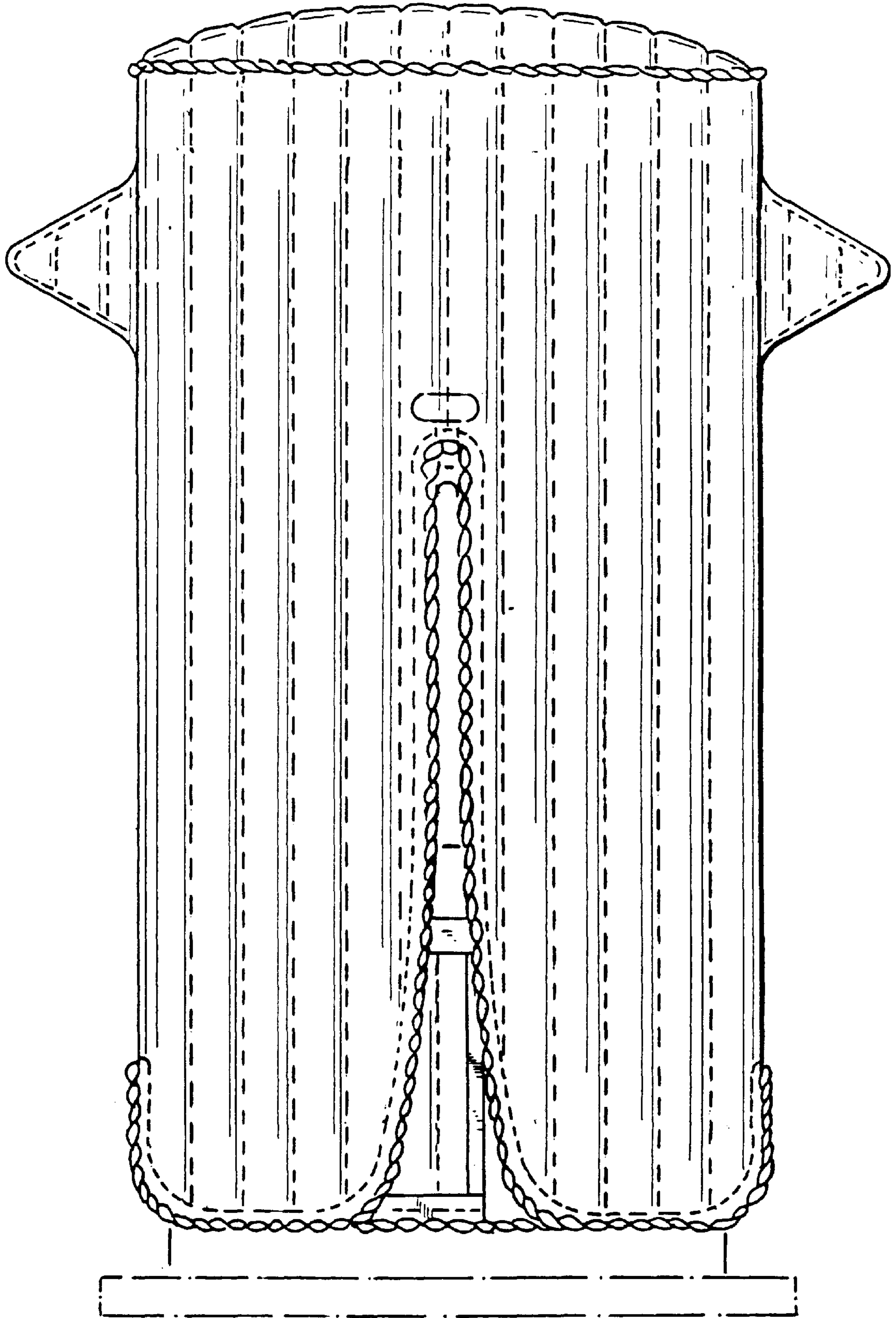


FIG. 3

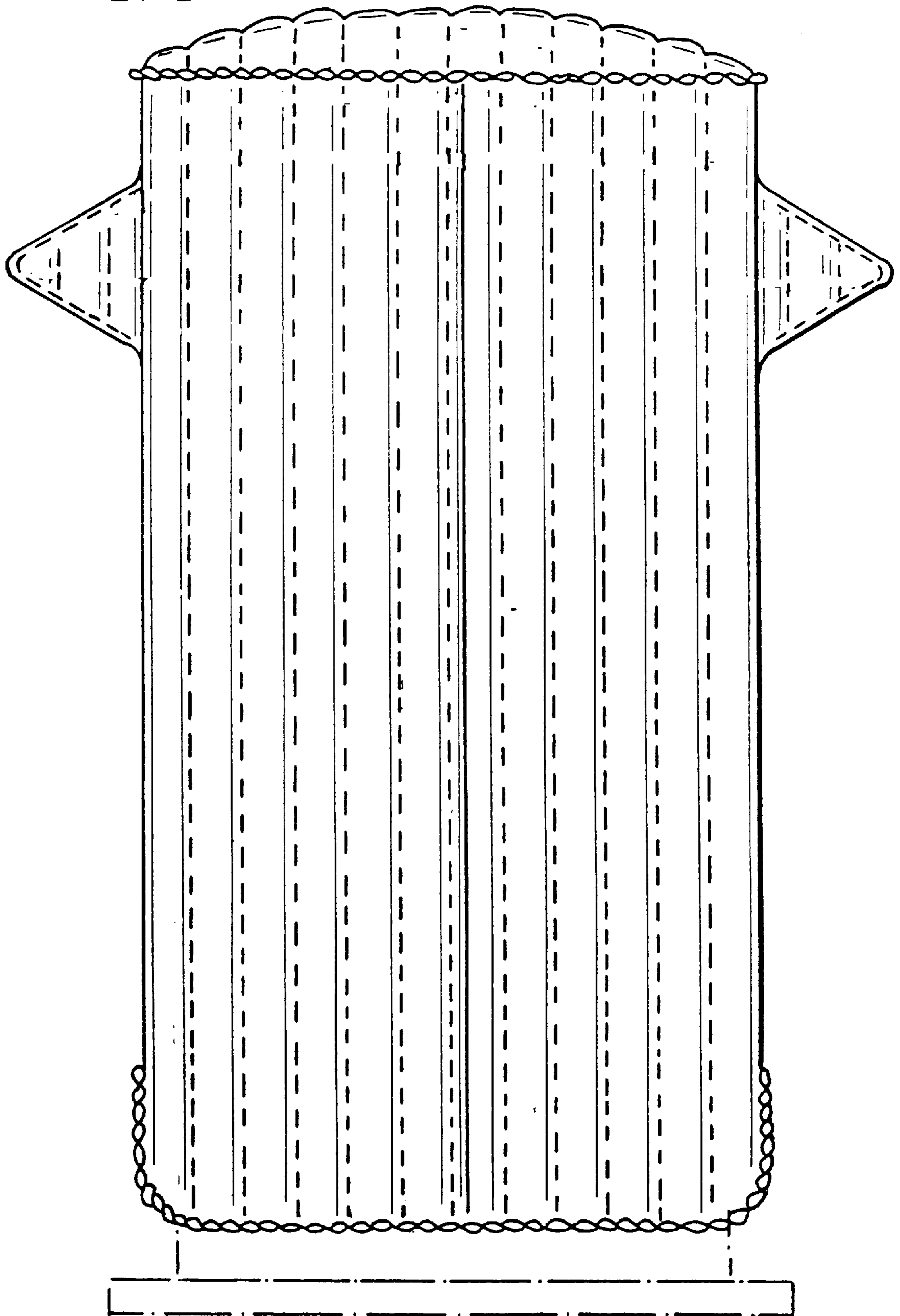
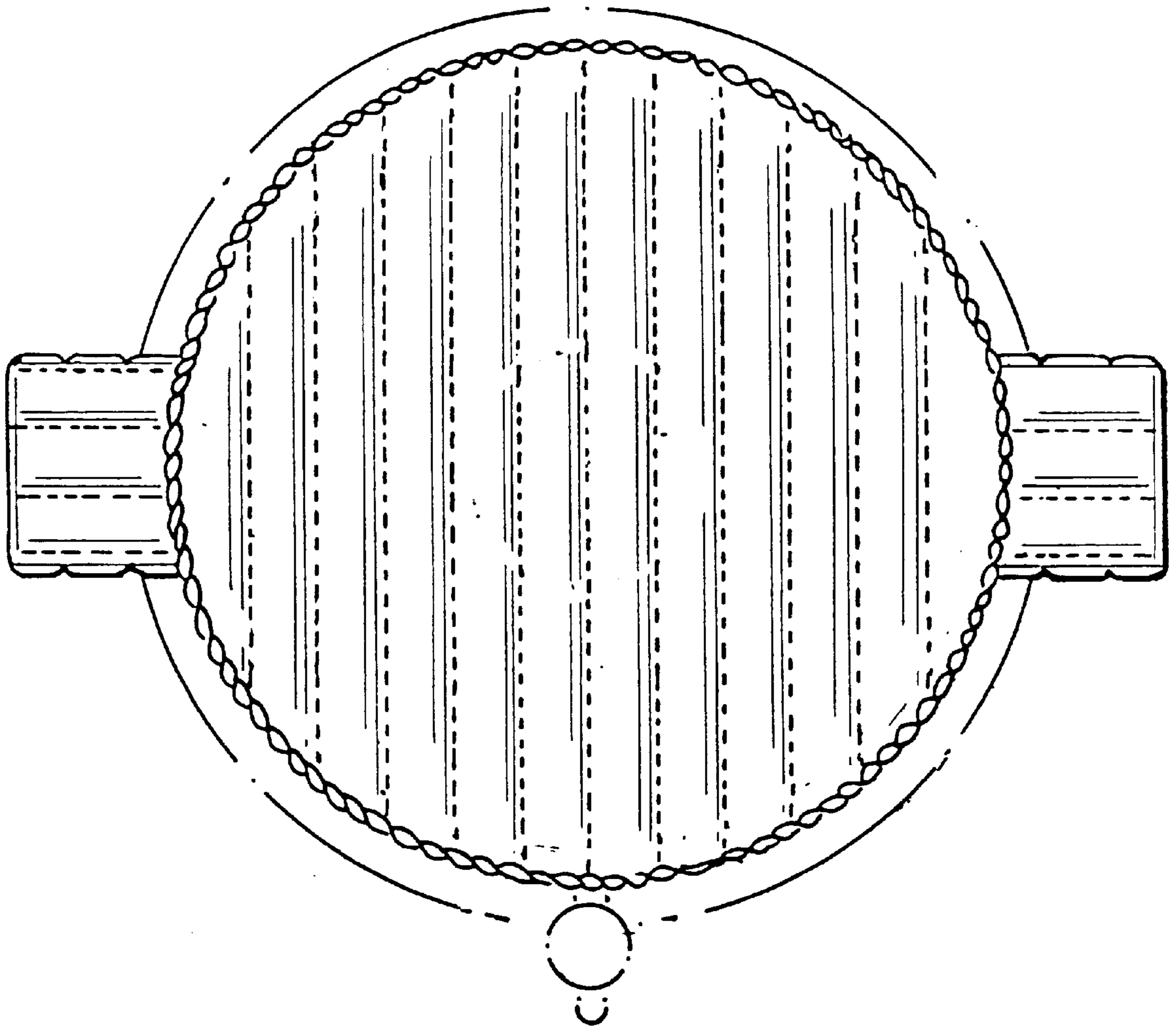


FIG. 4



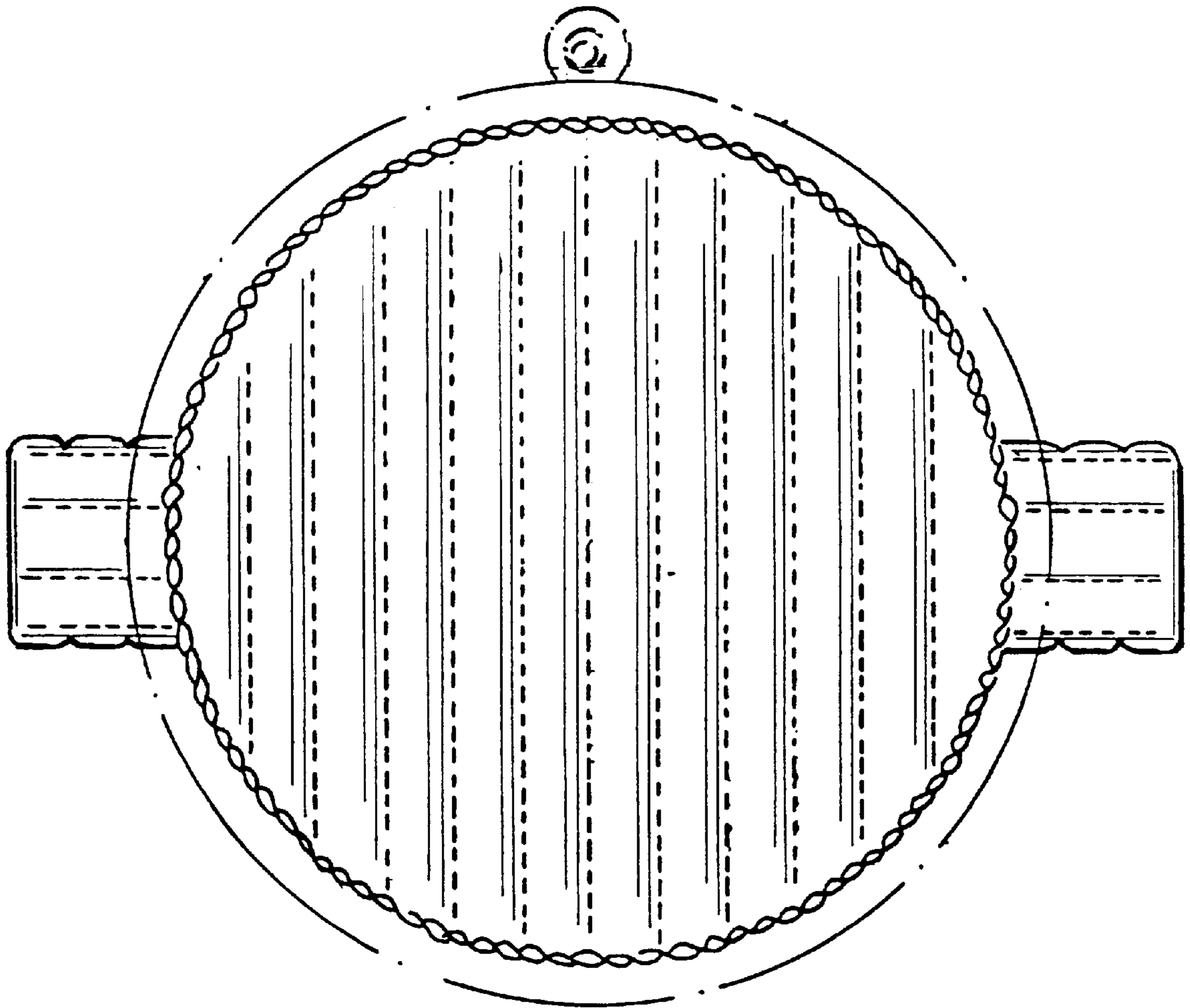


FIG. 5

FIG. 6

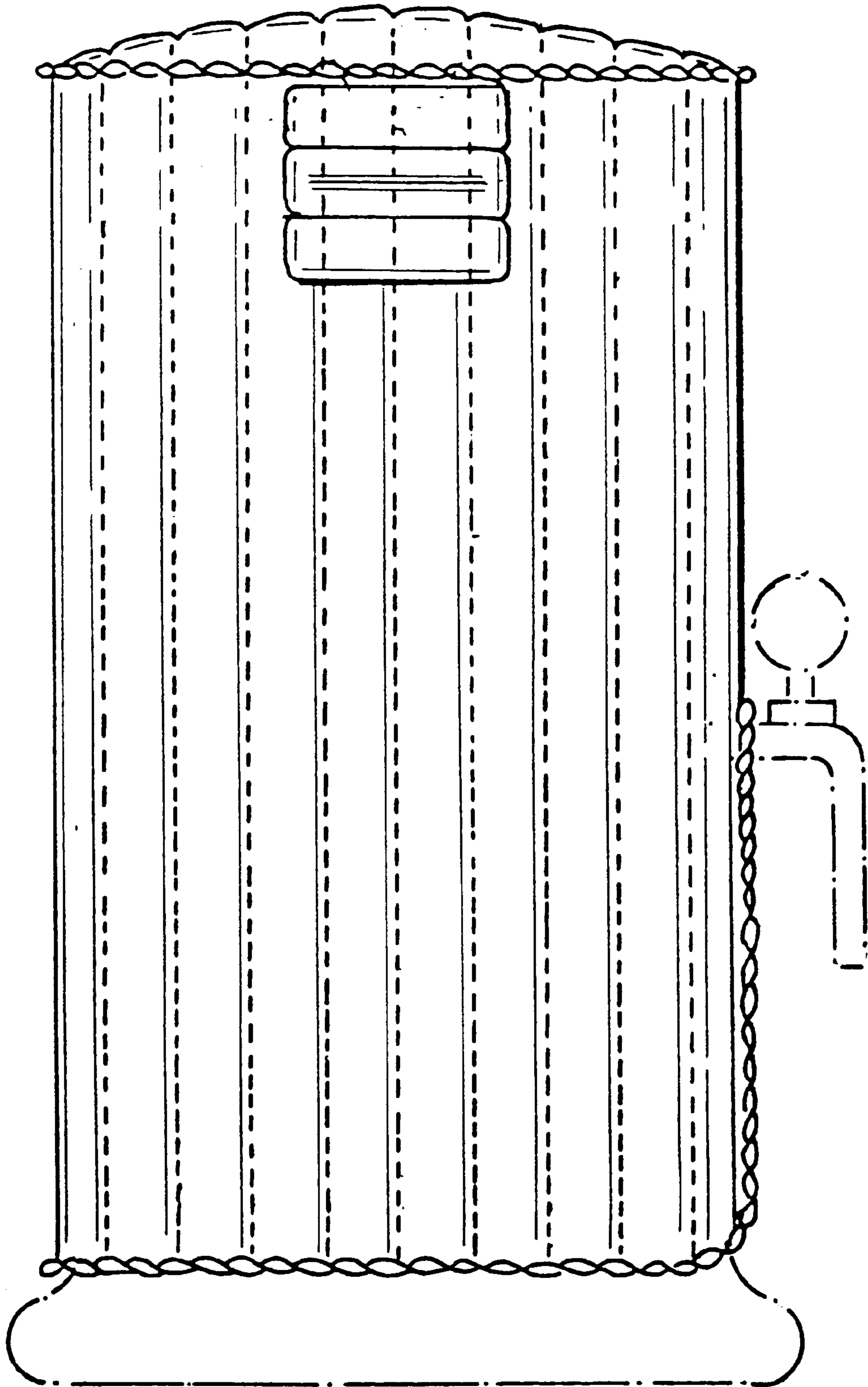


FIG. 7

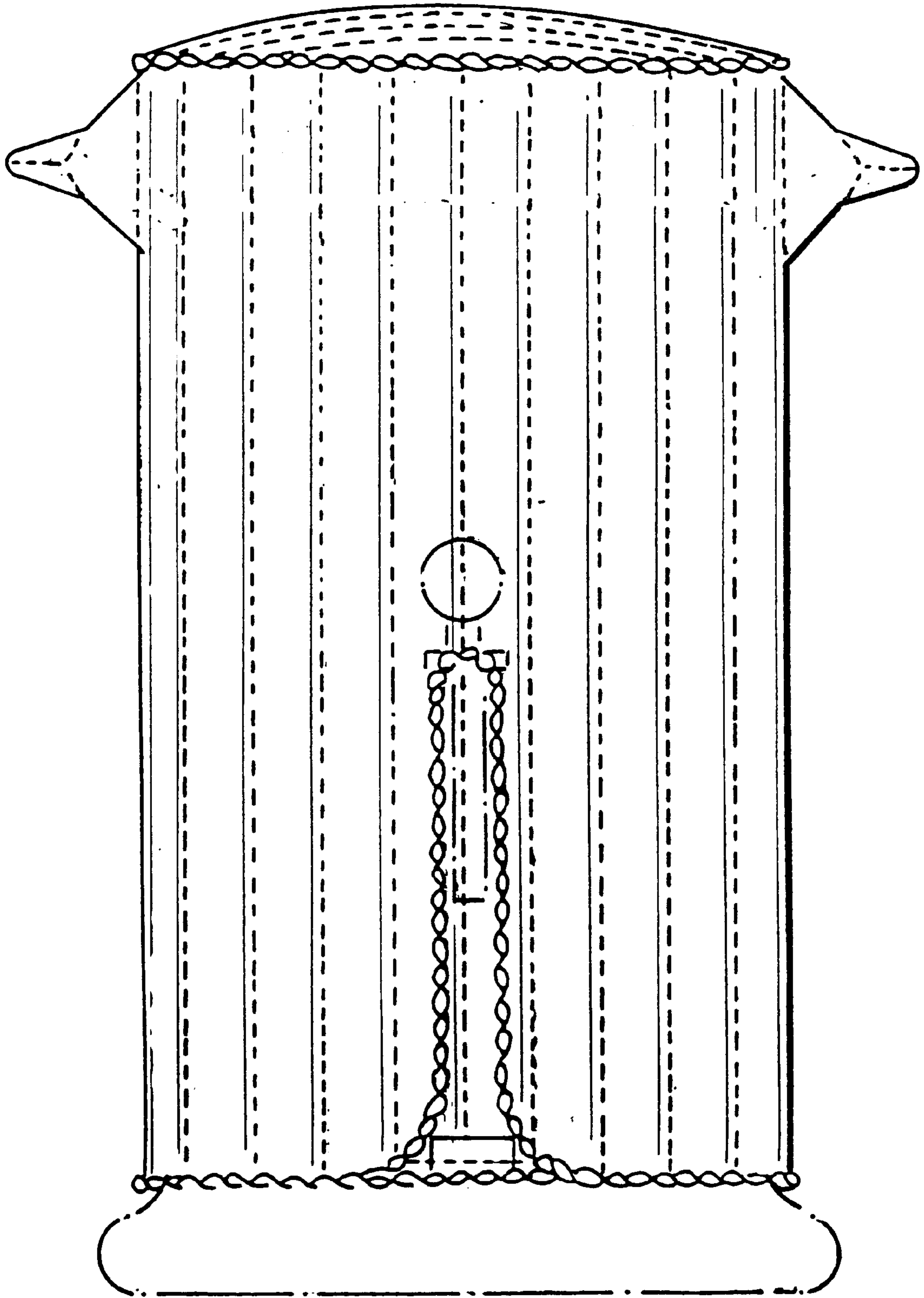


FIG. 8

