



US00D411071S

United States Patent [19]
Cerda-Vicedo

[11] **Patent Number: Des. 411,071**
[45] **Date of Patent: ** Jun. 15, 1999**

[54] **BOX FOR A COMPACT DISK AND A DIGITAL VIDEO DISK**

5,515,968 5/1996 Taniyama 206/310
5,633,335 5/1997 Bauer et al. 206/307.1

[76] Inventor: **Jose Luis Cerda-Vicedo**, Avenida del Juguete, 14, Ibi, Spain, 03440

Primary Examiner—Doris V. Coles
Assistant Examiner—Linda Brooks
Attorney, Agent, or Firm—Adams Law Firm,P.A.

[**] Term: **14 Years**

[57] **CLAIM**

[21] Appl. No.: **29/093,027**

The ornamental design for a box for a compact disk and a digital video disk, as shown and described.

[22] Filed: **Sep. 1, 1998**

DESCRIPTION

[30] **Foreign Application Priority Data**

Mar. 3, 1998 [ES] Spain 142.218

FIG. 1 is an elevation of one side of the box for a compact disk and a digital video disk;
FIG. 2 is an elevation of the side opposite that shown in FIG. 1;
FIG. 3 is an end elevation of one end of FIG. 1;
FIG. 4 is an end elevation of the end opposite that shown in FIG. 3;
FIG. 5 is a vertical elevation of one edge of FIG. 1;
FIG. 6 is a vertical elevation of the edge opposite that shown in FIG. 5;
FIG. 7 is a perspective view of FIG. 1 when closed; and,
FIG. 8 is perspective view of FIG. 1 when opened.

[51] **LOC (6) Cl.** **06-04**

[52] **U.S. Cl.** **D6/632**

[58] **Field of Search** D6/407, 632, 634, D6/635, 629; 206/307, 308.1, 308.3, 387.1, 387.13, 309–312, 450; 211/40, 41.12; 312/9.1, 9.9; D14/121

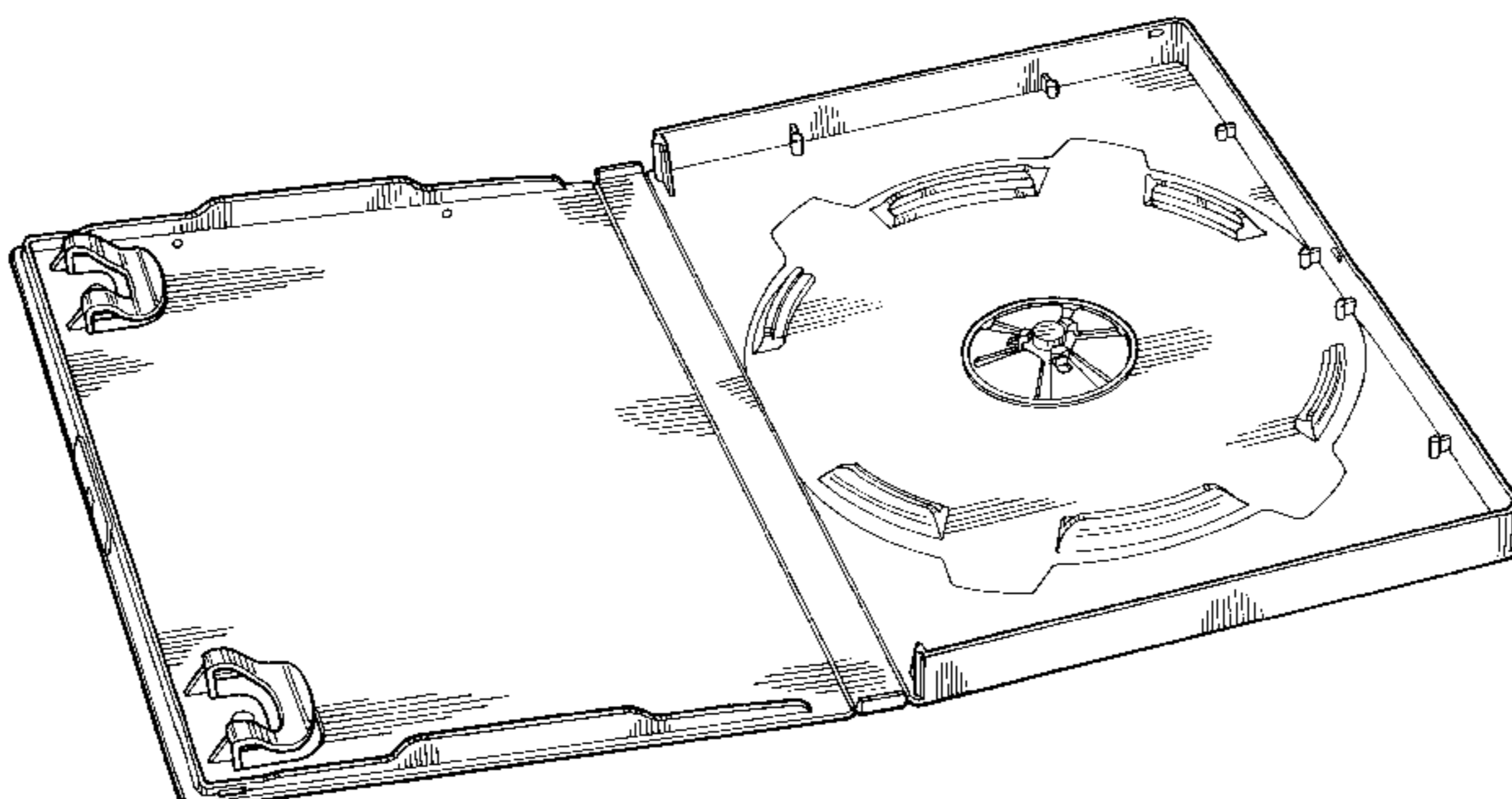
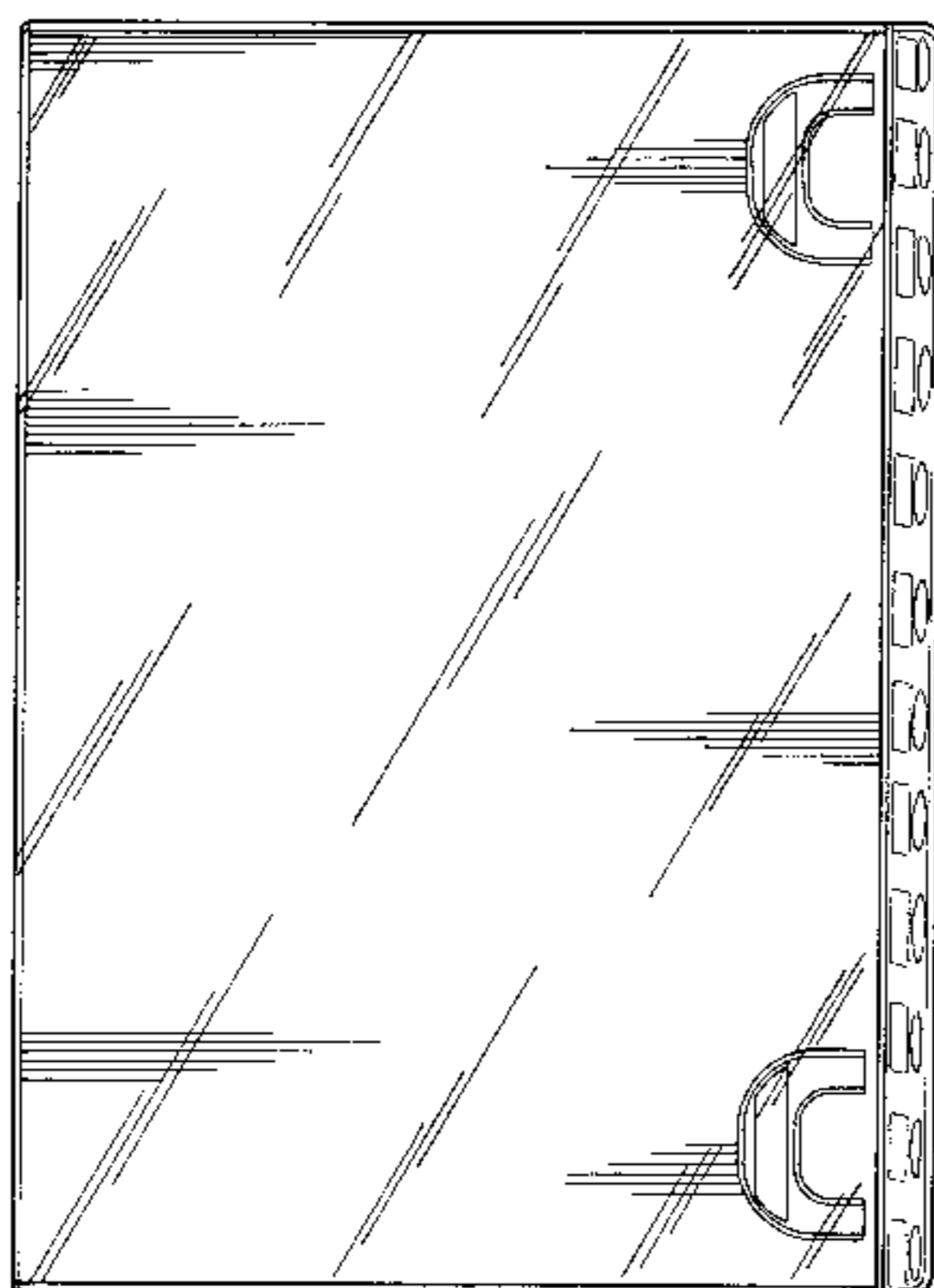
[56] **References Cited**

U.S. PATENT DOCUMENTS

- D. 351,080 10/1994 Sykes et al. D6/629
- D. 352,199 11/1994 Stumpff et al. D6/632
- D. 356,922 4/1995 Du Corday D6/632
- D. 375,015 10/1996 Kobayashi et al. D6/634 X
- D. 378,333 3/1997 Anderson D6/635 X
- D. 399,677 10/1998 Cheris et al. D6/629 X
- 5,269,409 12/1993 Brandt et al. 206/309

The broken line features shown on the right front edge of the box for a compact disk and a digital video disk in FIGS. 1 and 7 are for illustrative purposes only and forms no part of the claimed design.

1 Claim, 4 Drawing Sheets



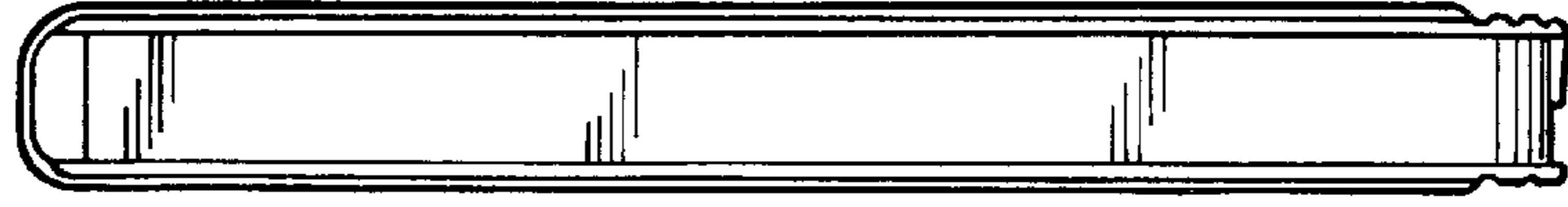


FIG. 3



FIG. 6

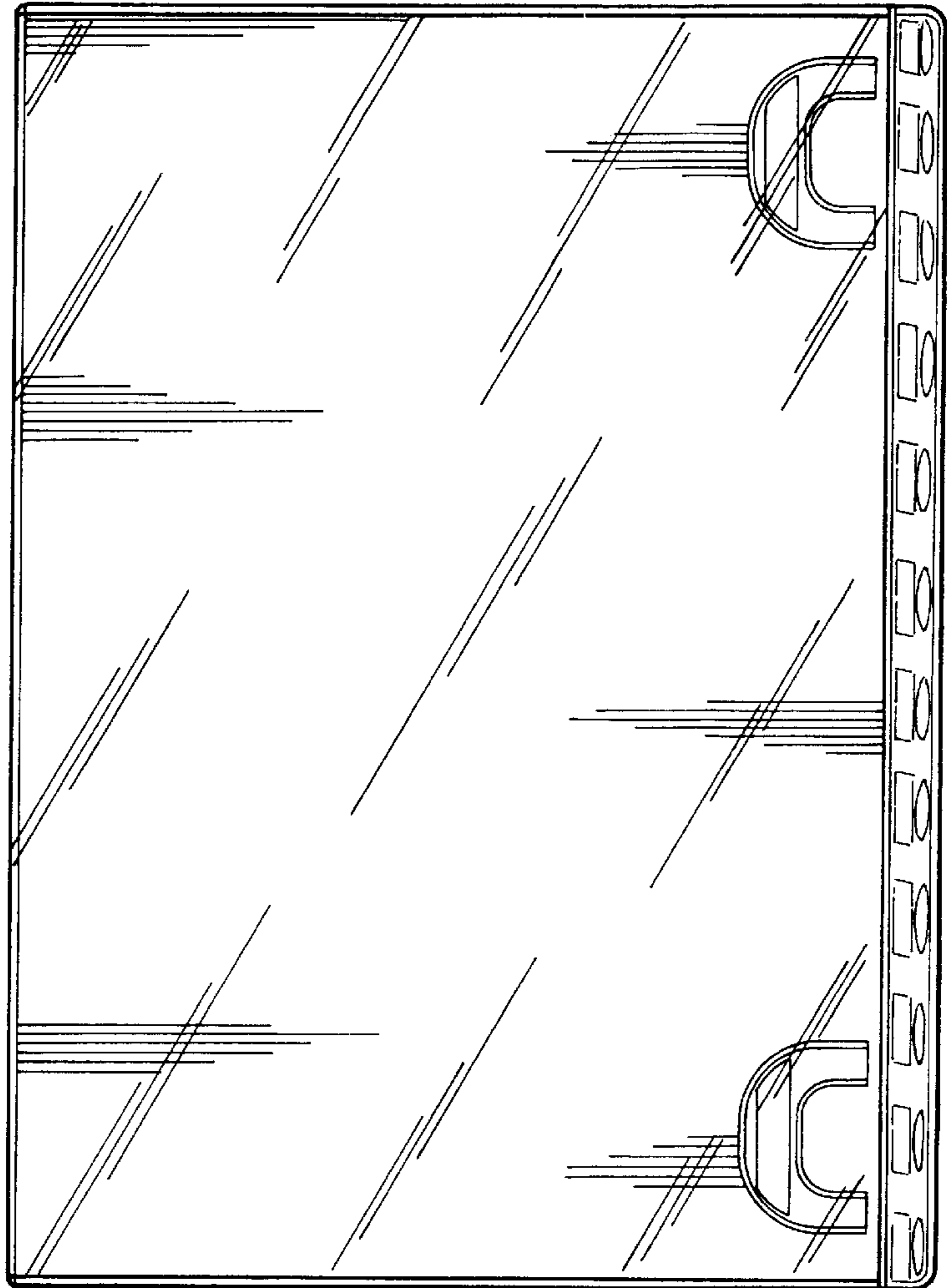


FIG. 1



FIG. 4

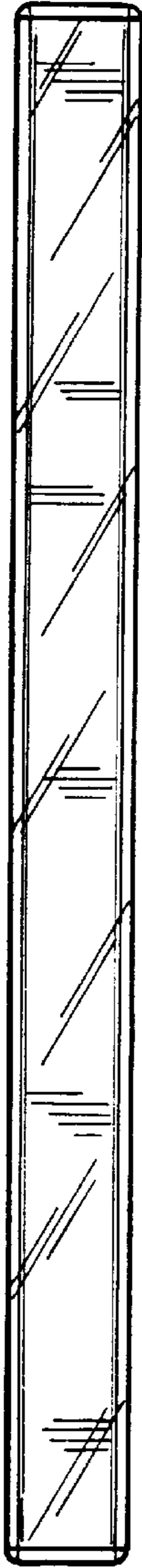


FIG. 5

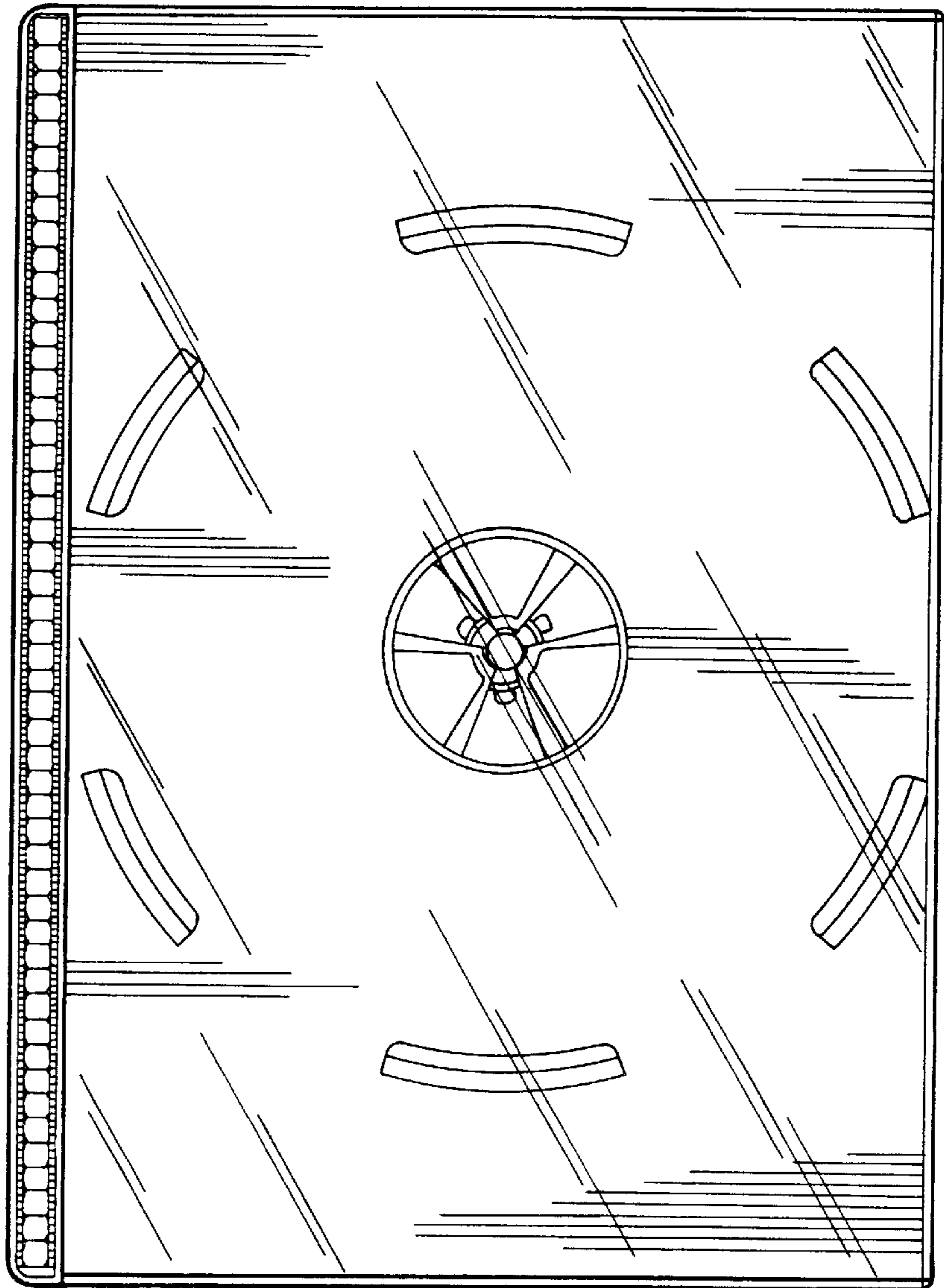


FIG. 2

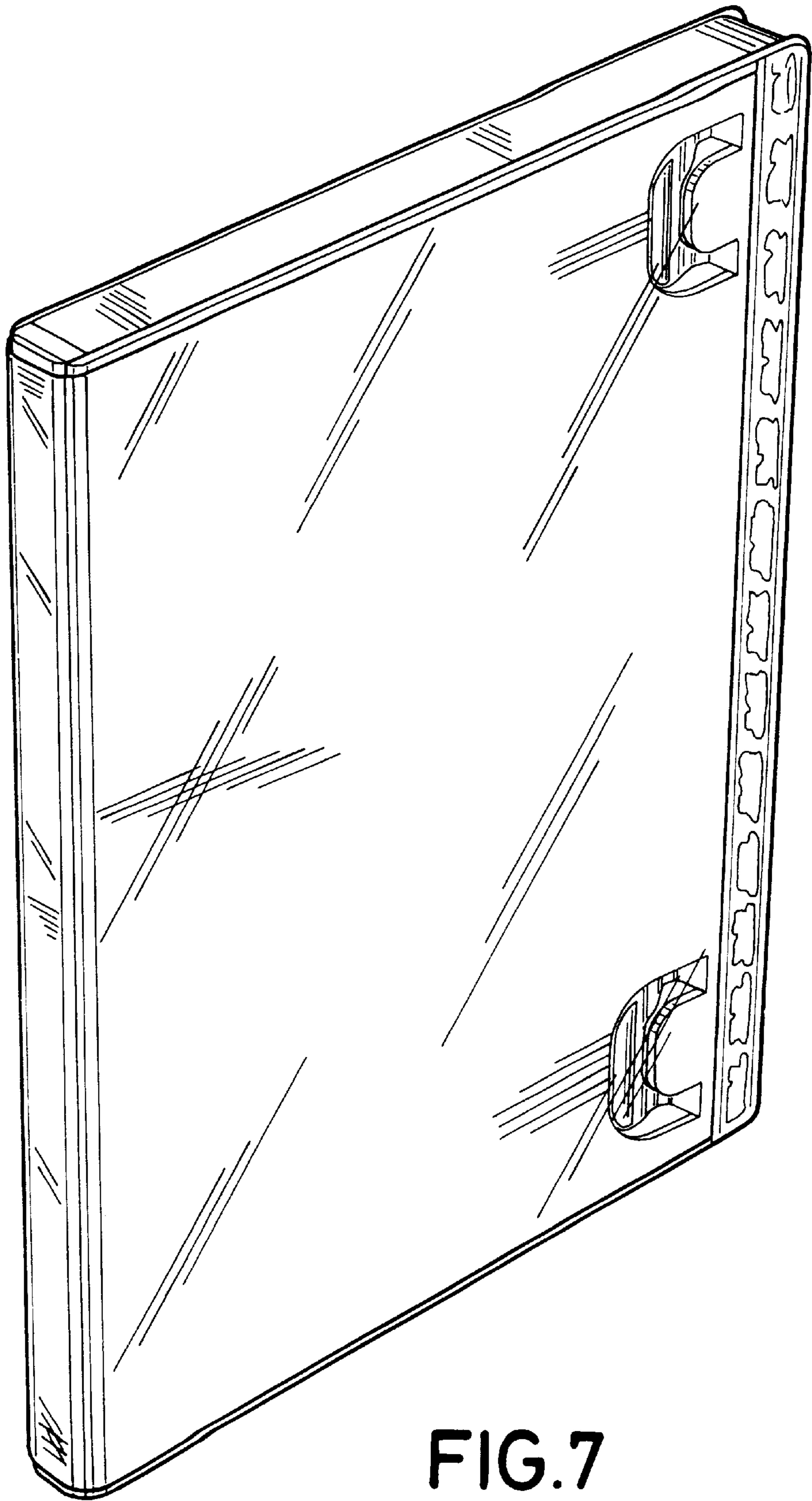


FIG.7

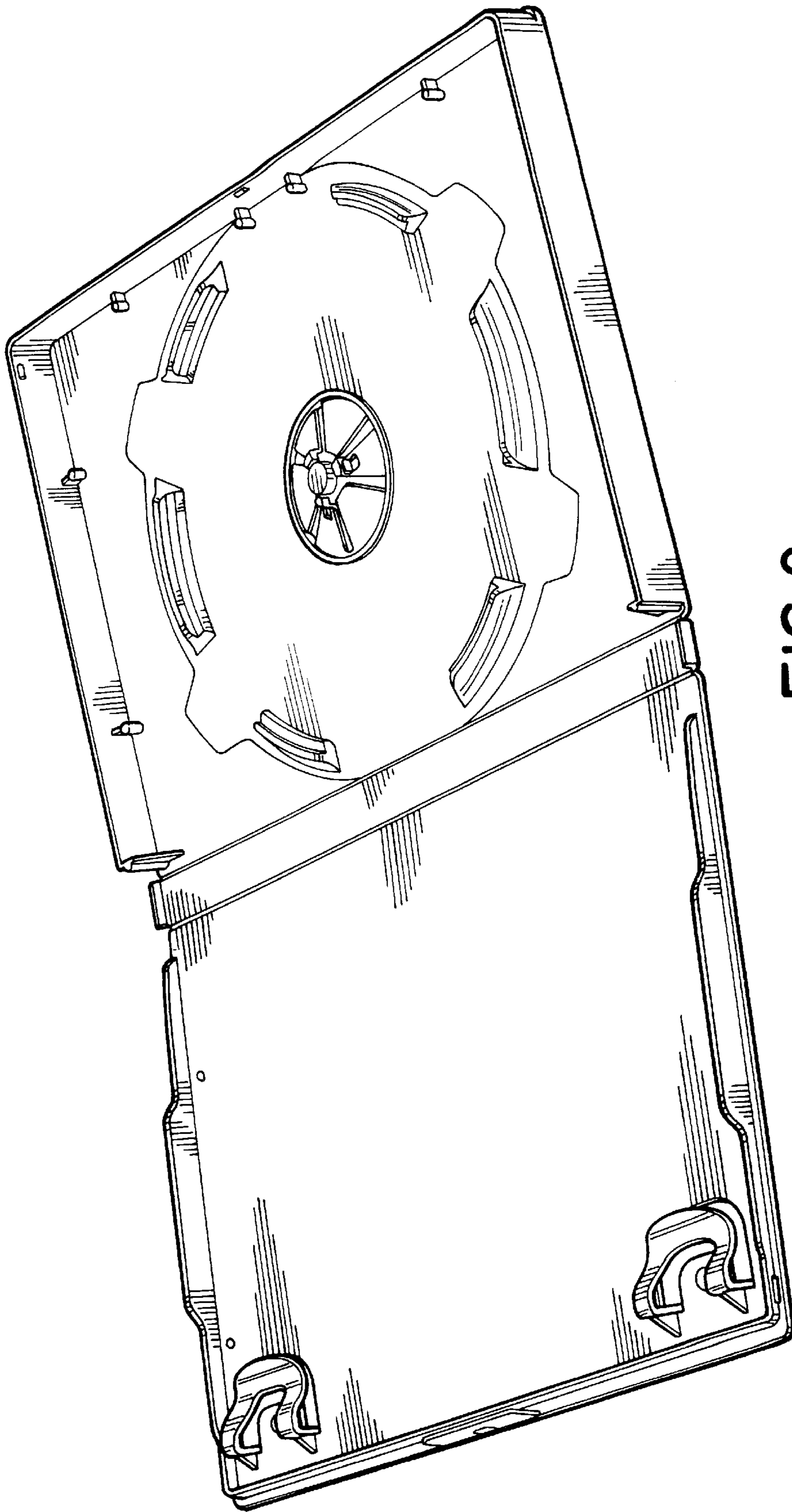


FIG. 8