



US00D411067S

**United States Patent** [19]  
**Cadorette**

[11] **Patent Number: Des. 411,067**

[45] **Date of Patent: \*\* Jun. 15, 1999**

[54] **WINDOW VALANCE AND TRIM**  
[75] Inventor: **Mario Cadorette**, Saint Therese,  
Canada  
[73] Assignee: **All-Teck Blinds P.T.B. Inc.**, Montreal,  
Canada  
[\*\*] Term: **14 Years**

D. 363,697 10/1995 Shibao et al. .... D25/119  
2,638,162 5/1953 Heitlinger et al. .... 160/38  
2,705,820 4/1955 Torrence ..... D25/119 X  
3,008,581 11/1961 Kohler ..... D25/119 X  
5,505,245 4/1996 Badalamenti ..... 160/38  
5,515,901 5/1996 Hall ..... 160/38

[21] Appl. No.: **29/093,791**  
[22] Filed: **Sep. 18, 1998**

*Primary Examiner*—B. J. Bullock  
*Assistant Examiner*—Monica A. Weingart  
*Attorney, Agent, or Firm*—Sughrue, Mion, Zinn, Macpeak  
& Seas, PLLC

[30] **Foreign Application Priority Data**  
May 11, 1998 [CA] Canada ..... 1998-1162  
[51] **LOC (6) Cl.** ..... **06-10**  
[52] **U.S. Cl.** ..... **D6/579; D6/575; D6/580;**  
D25/49  
[58] **Field of Search** ..... D6/575, 579, 580;  
D25/49, 119, 136; 160/19, 38, 39

[57] **CLAIM**  
The ornamental design for a window valance and trim, as shown and described.

[56] **References Cited**  
U.S. PATENT DOCUMENTS  
D. 326,724 6/1992 Boer ..... D25/119

**DESCRIPTION**  
FIG. 1 is an enlarged view showing the cross-sectional profile of the trim with the trim shown separately for ease of illustration; and, FIG. 2 is a perspective view showing the trim installed on a window valance as may be used in conjunction with a window, the dashed lines indicating indeterminate length of the valance and trim.

**1 Claim, 1 Drawing Sheet**

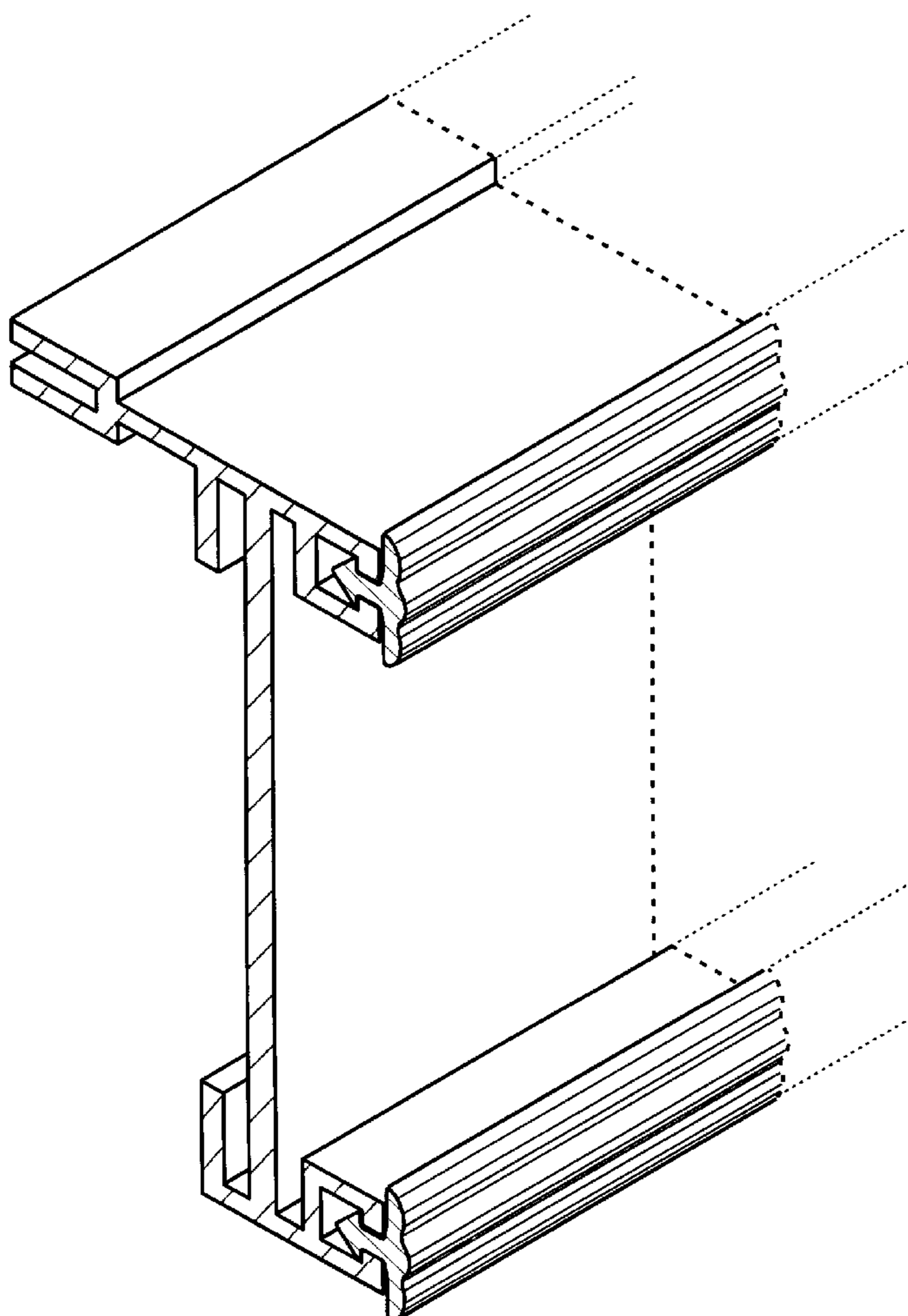


Figure 1

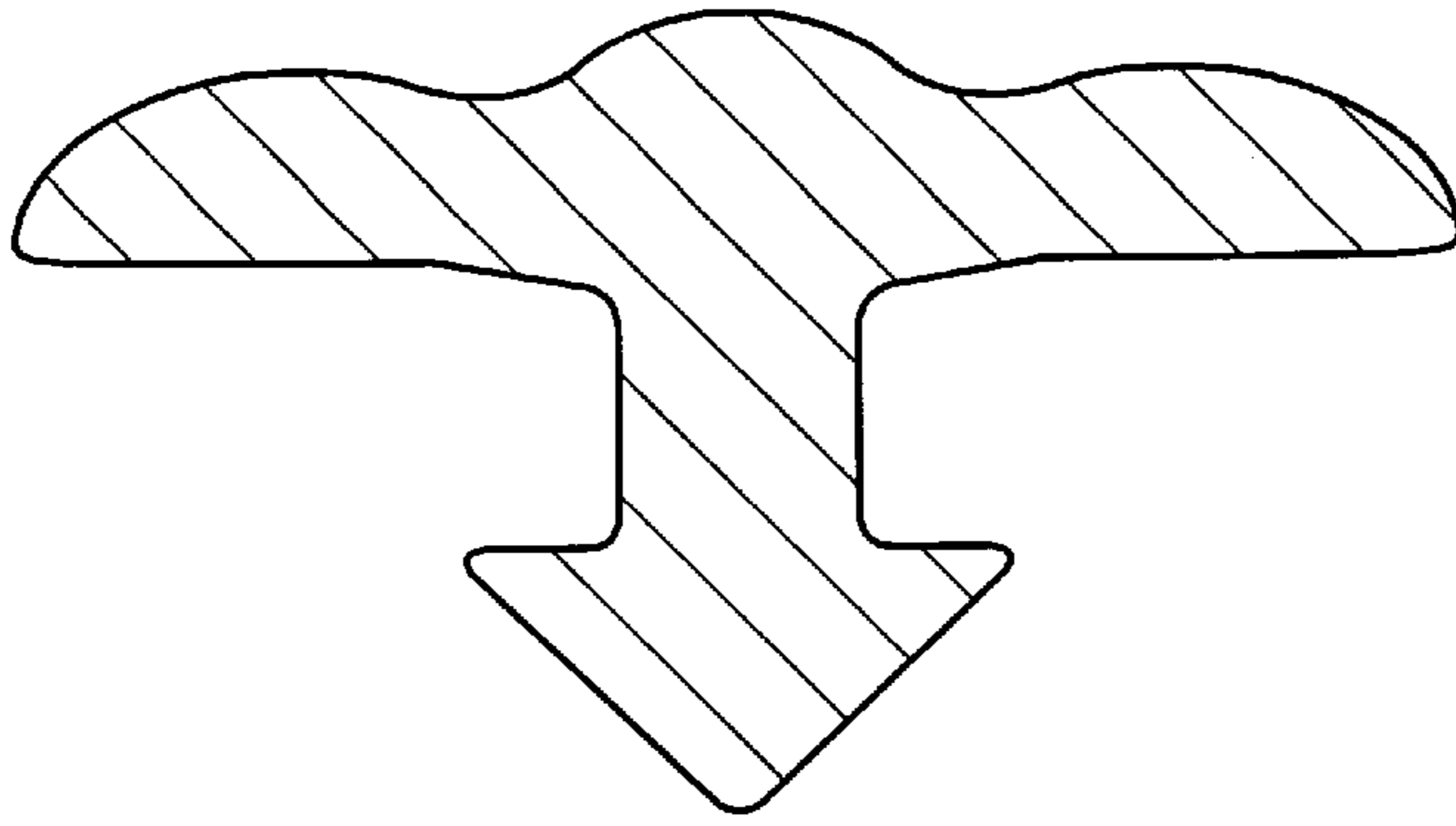


Figure 2

