



US00D411061S

United States Patent [19] Klein

[11] **Patent Number: Des. 411,061**
[45] **Date of Patent: ** Jun. 15, 1999**

[54] **SOFA**
[75] **Inventor: Richard Stephen Klein**, Los Angeles, Calif.
[73] **Assignee: BSFF Acquisition, LLC**, Bean Station, Tenn.
[**] **Term: 14 Years**
[21] **Appl. No.: 29/089,771**
[22] **Filed: Jun. 23, 1998**
[51] **LOC (6) Cl. 06-06**
[52] **U.S. Cl. D6/492; D6/381; D6/500**
[58] **Field of Search D6/334, 335, 364, D6/371, 373, 381, 492, 495, 500, 501, 502; 297/232**

D. 252,427 7/1979 Beall D6/364
D. 259,373 6/1981 Brown D6/334
D. 401,430 11/1998 De Blaay D6/381

Primary Examiner—Gary D. Watson
Attorney, Agent, or Firm—Luedeka, Neely & Graham, P.C.

[57] CLAIM

The ornamental design for a sofa, as shown and described.

DESCRIPTION

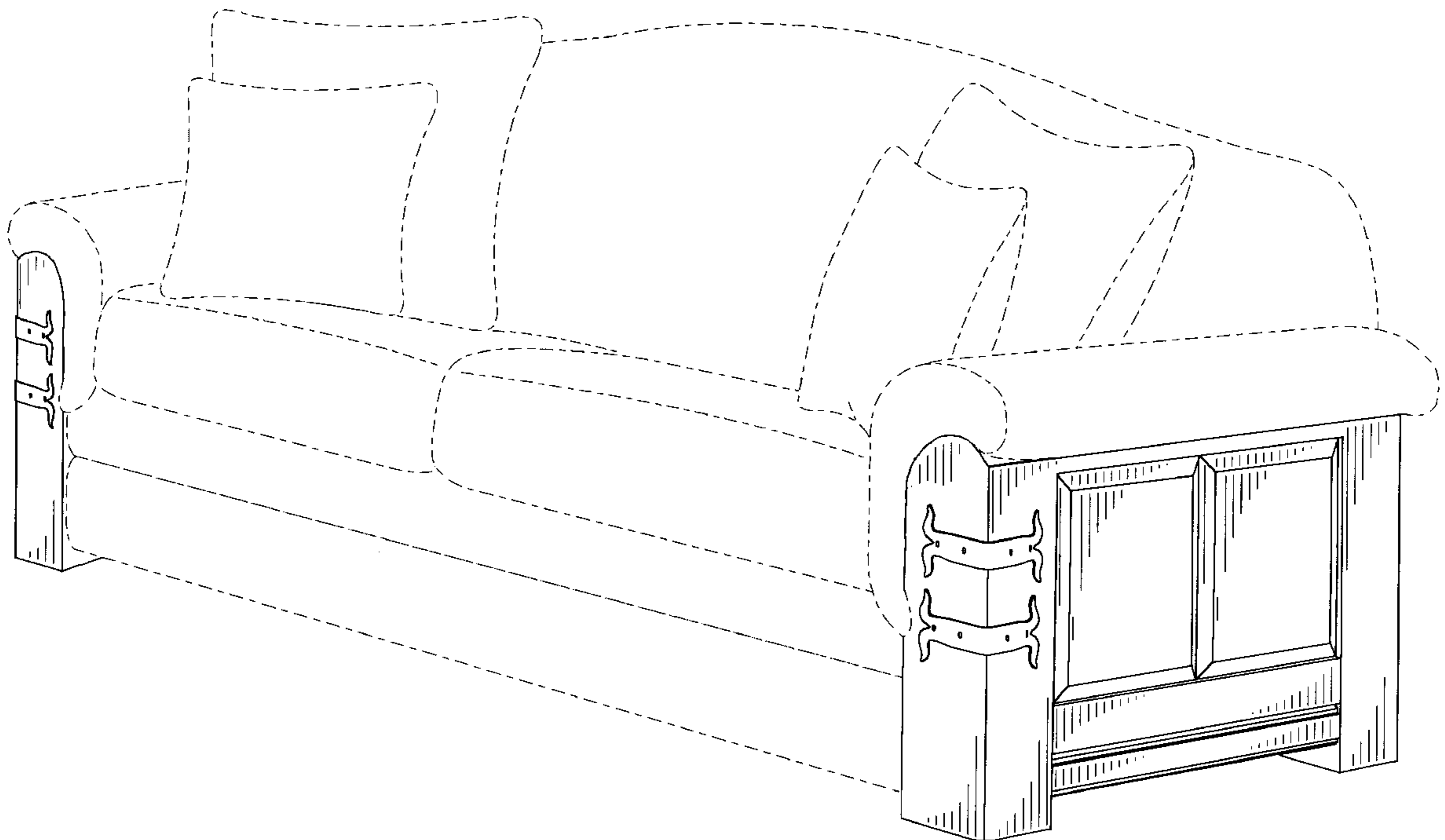
FIG. 1 is a front perspective view of the sofa of my new design;
FIG. 2 is a front elevational view of the sofa of my new design;
FIG. 3 is a left side elevational view of the sofa of my new design, the right side being a mirror image thereof; and, FIG. 4 is a rear elevational view of the sofa of my new design.
The broken lines shown are for illustrative purposes only and form no part of the claimed design.

[56] References Cited

U.S. PATENT DOCUMENTS

D. 247,082 1/1978 Thompson et al. D6/492

1 Claim, 4 Drawing Sheets



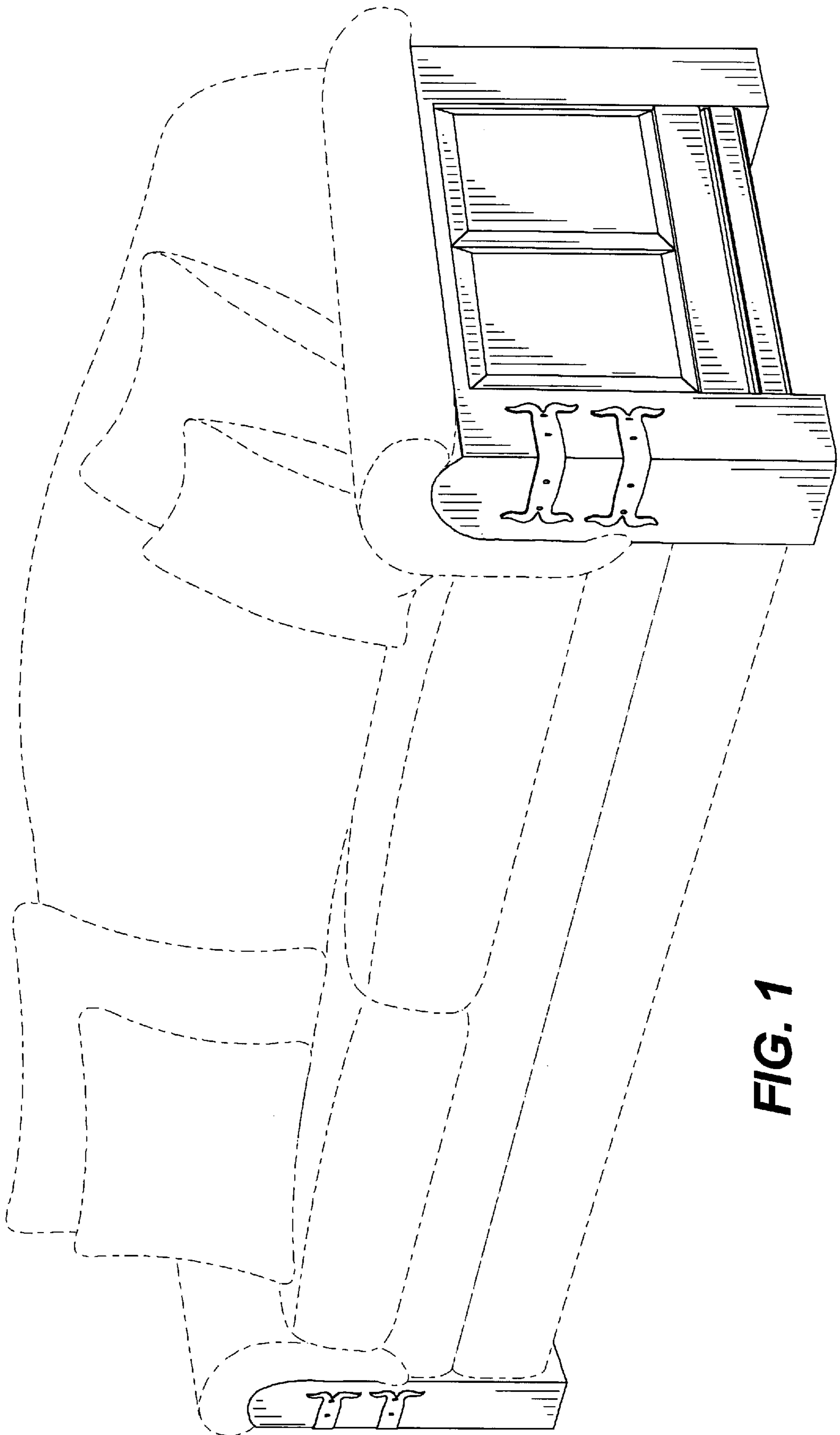


FIG. 1

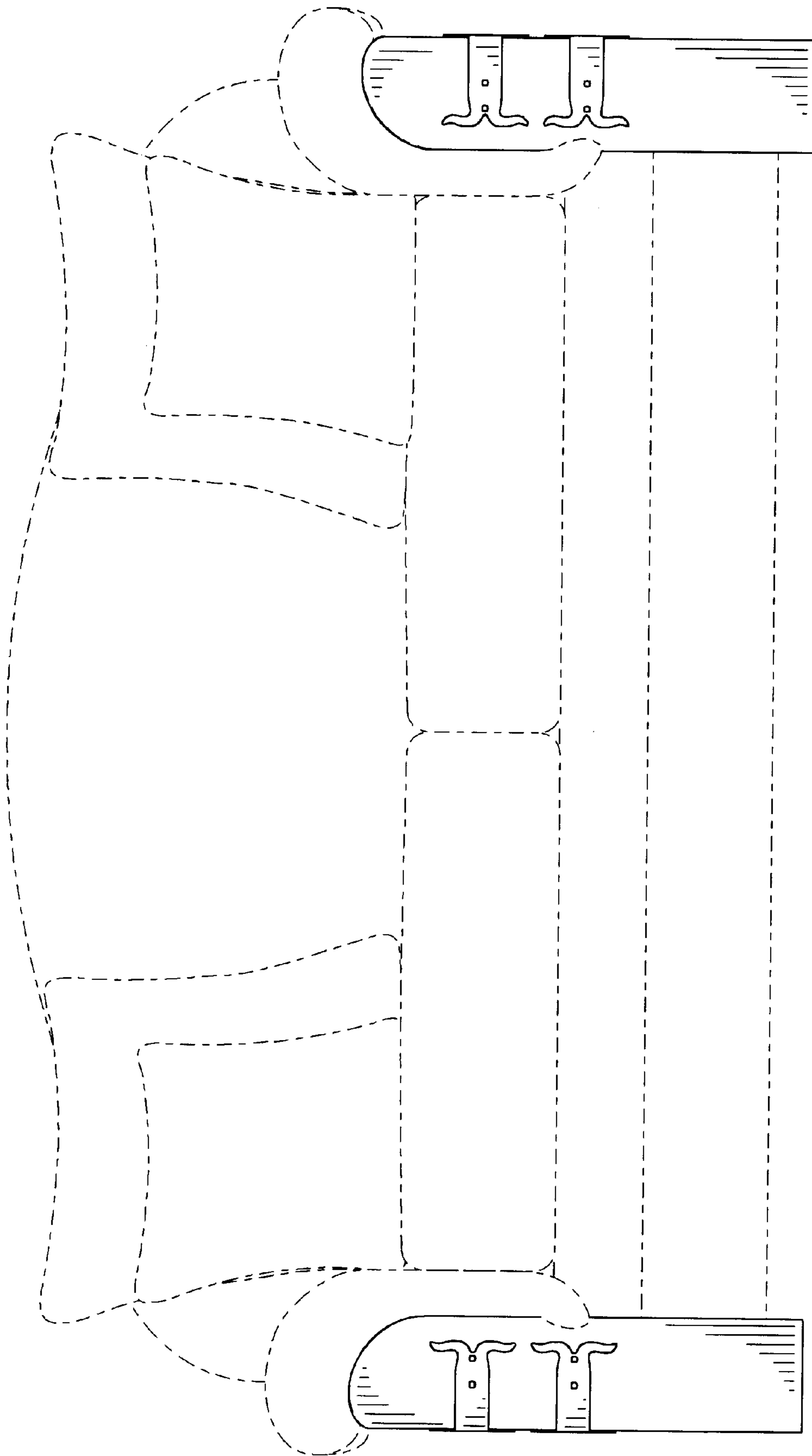


FIG. 2

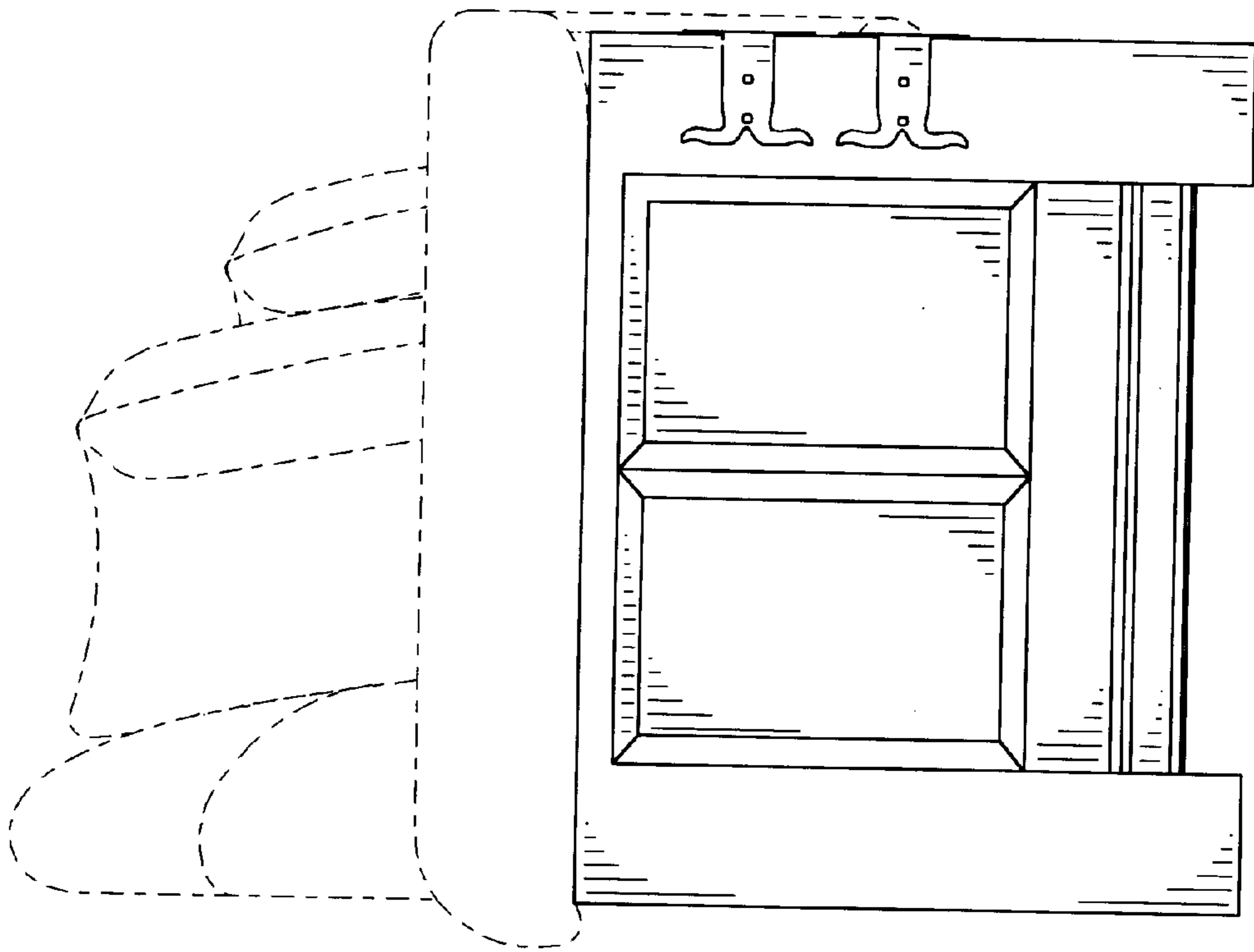


FIG. 3

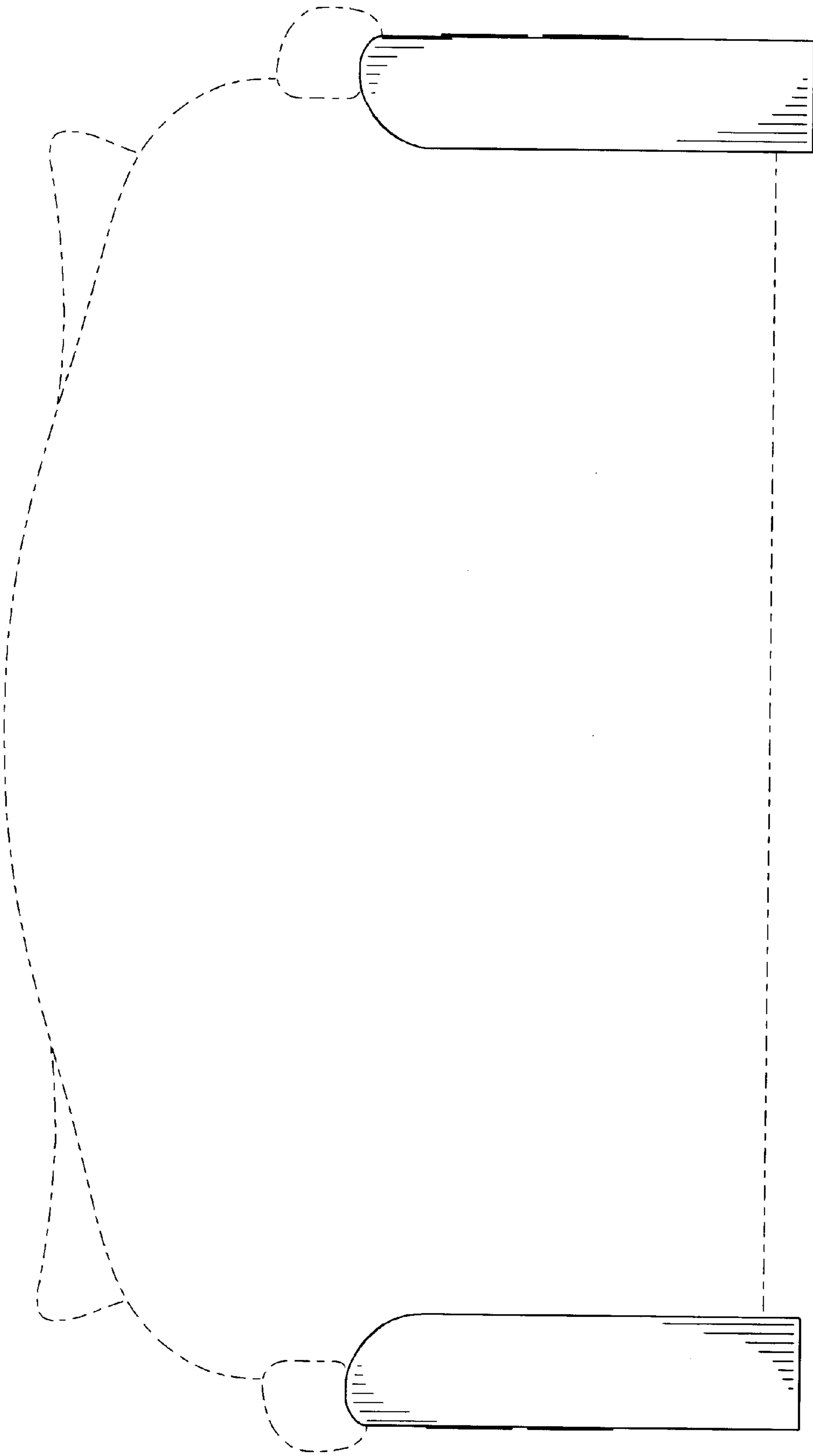


FIG. 4