



US00D411059S

United States Patent [19]

Wolansky et al.

[11] Patent Number: **Des. 411,059**

[45] Date of Patent: **** Jun. 15, 1999**

[54] **ROLLING ORGANIZER**

[75] Inventors: **Brad H. Wolansky**, Dorset; **Frances J. Atherton**, Manchester, both of Vt.

[73] Assignee: **The Orvis Company, Inc.**, Manchester, Vt.

[**] Term: **14 Years**

[21] Appl. No.: **29/094,579**

[22] Filed: **Oct. 5, 1998**

[51] **LOC (6) Cl.** **06-04**

[52] **U.S. Cl.** **D6/436**

[58] **Field of Search** D6/476-479, 432, D6/436; D34/12, 17, 19-21; 280/47.19, 47.35, 79.3; 312/249.8, 249.11-249.13; 211/85.8; 108/59, 60, 16, 149, 91

[56] **References Cited**

U.S. PATENT DOCUMENTS

D. 315,070	3/1991	Miller	D6/436
D. 315,995	4/1991	Miller	D6/436
D. 322,184	12/1991	Prevedello et al.	D6/436
D. 364,051	11/1995	Berry, Jr. et al.	D6/436
5,290,058	3/1994	Adams et al.	280/47.35 X

OTHER PUBLICATIONS

Copy of p. 87 from the Autumn 1997 Orvis Clothing & Gifts catalog illustrating a multi-shelf stand identified by the letter "H".

Primary Examiner—Doris V. Coles
Assistant Examiner—Linda Brooks
Attorney, Agent, or Firm—Vickers, Daniels & Young

[57] **CLAIM**

The ornamental design for a rolling organizer, as shown and described.

DESCRIPTION

FIG. 1 is a perspective view of the front of the rolling organizer showing a new design;

FIG. 2 is a perspective view of the rear of the rolling organizer seen in FIG. 1;

FIG. 3 is a right-hand view of the rolling organizer seen in FIG. 1, the left-hand view being a mirror image;

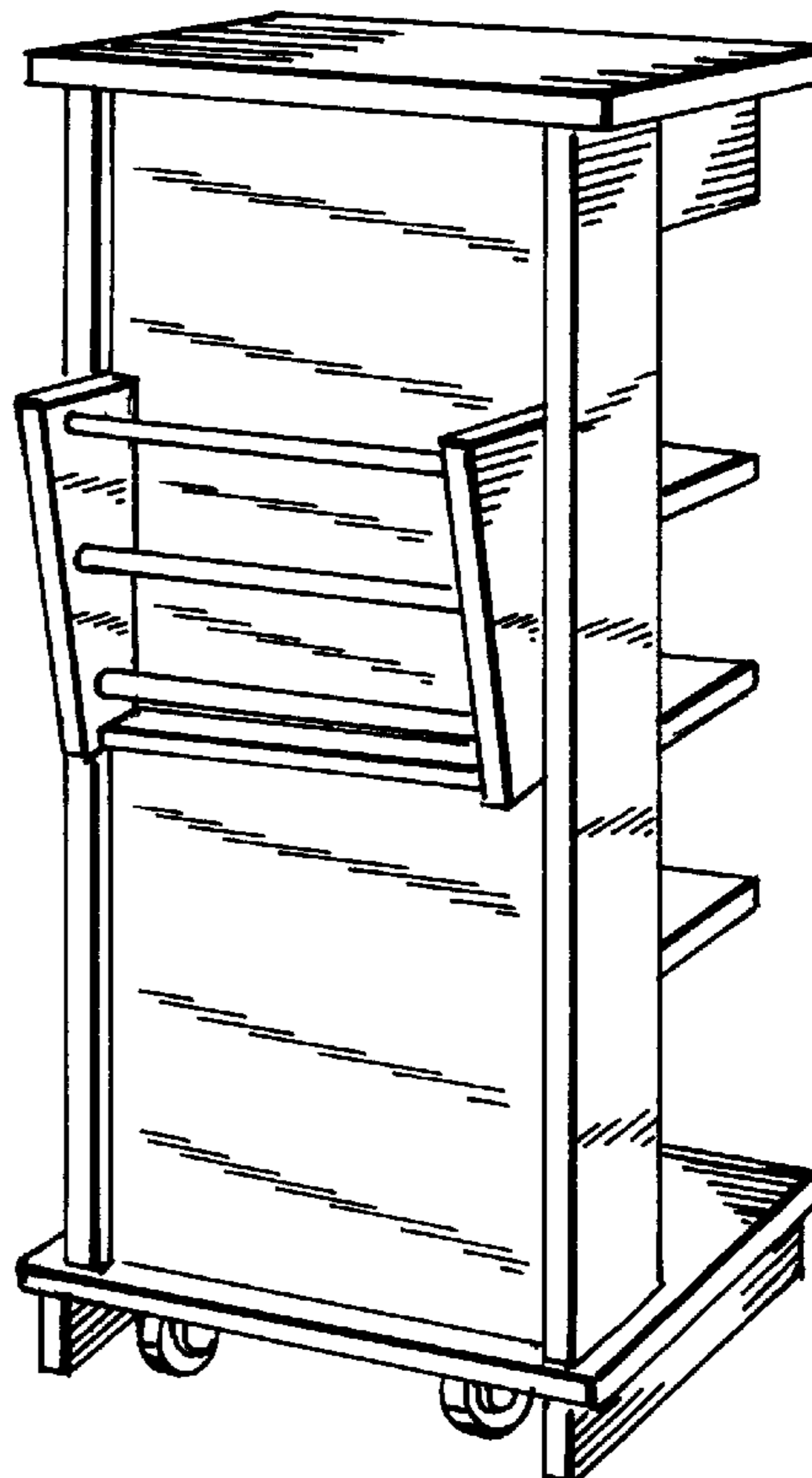
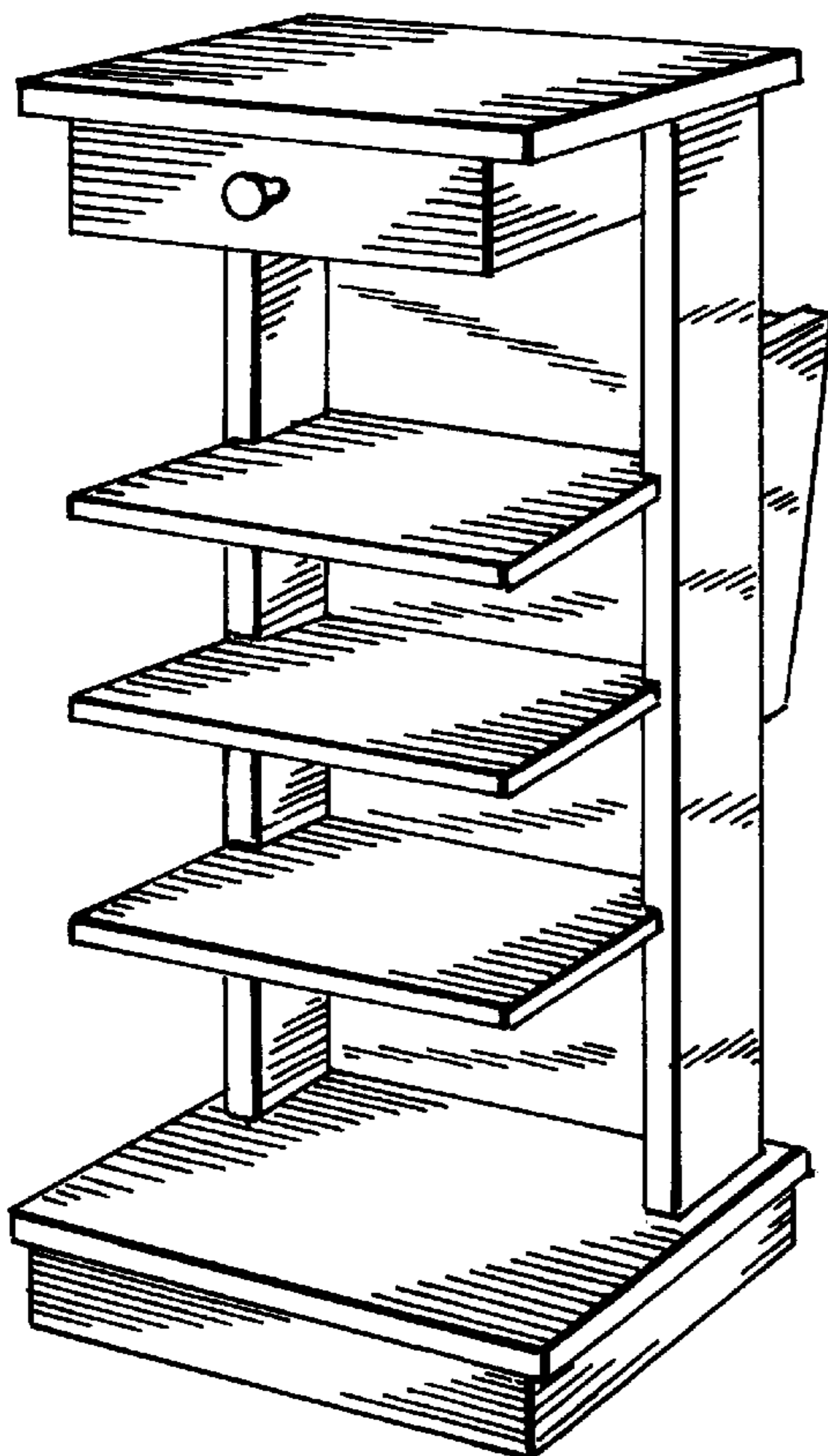
FIG. 4 is a front view of the rolling organizer seen in FIG. 1;

FIG. 5 is a back view of the rolling organizer seen in FIG. 1;

FIG. 6 is a top view of the rolling organizer seen in FIG. 1; and,

FIG. 7 is a bottom view of the rolling organizer seen in FIG. 1.

1 Claim, 2 Drawing Sheets



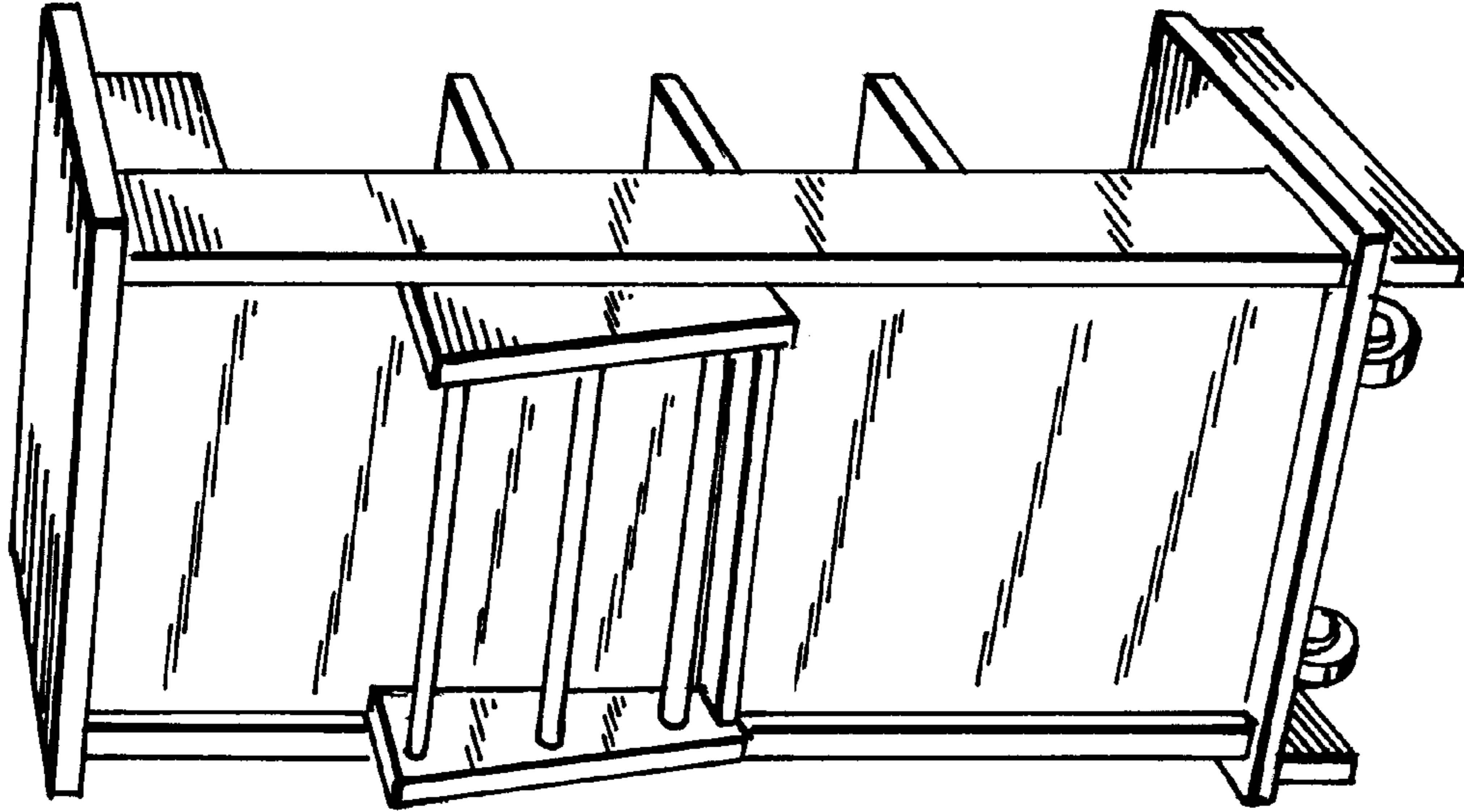


Fig. 1

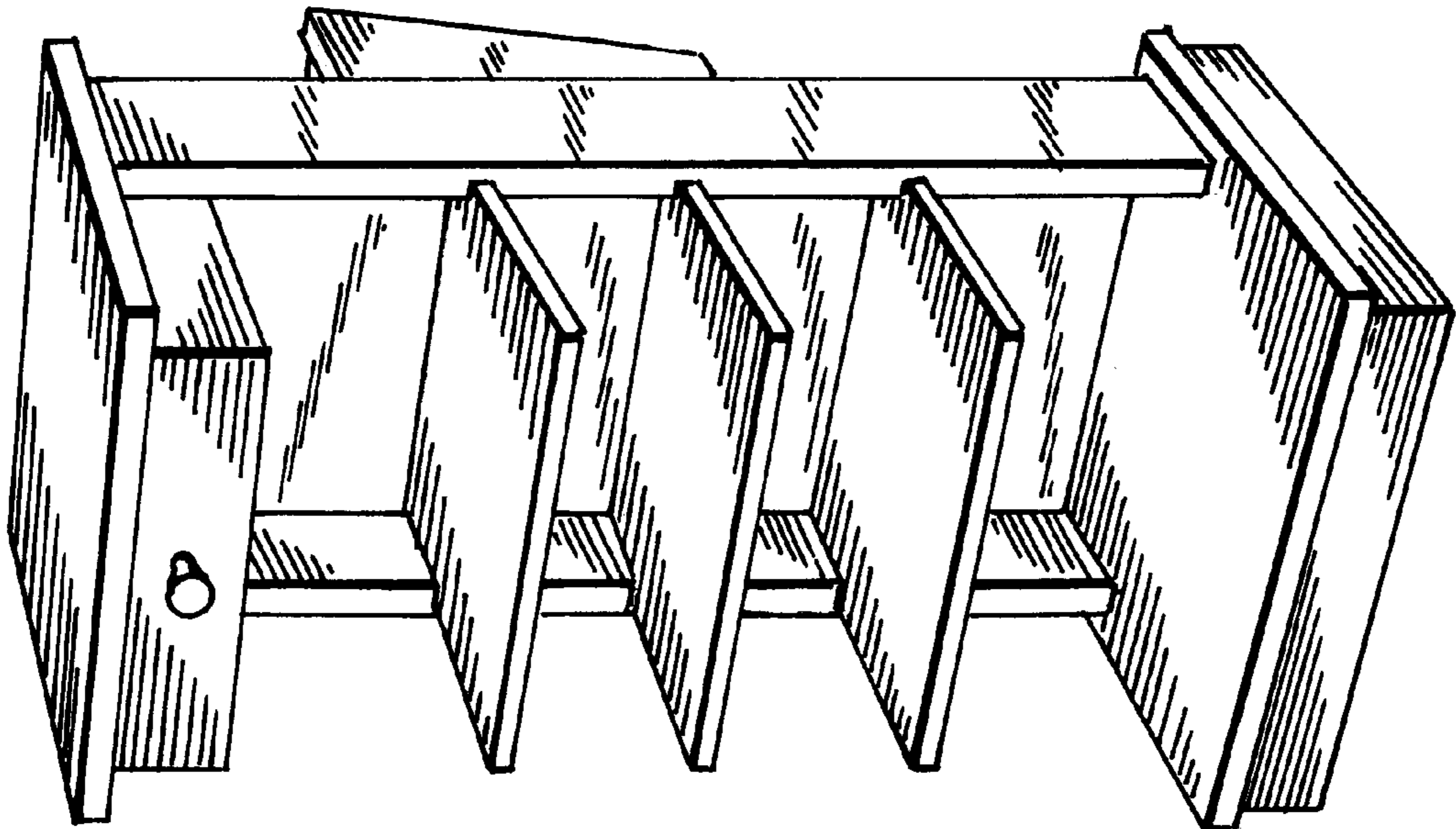


Fig. 2

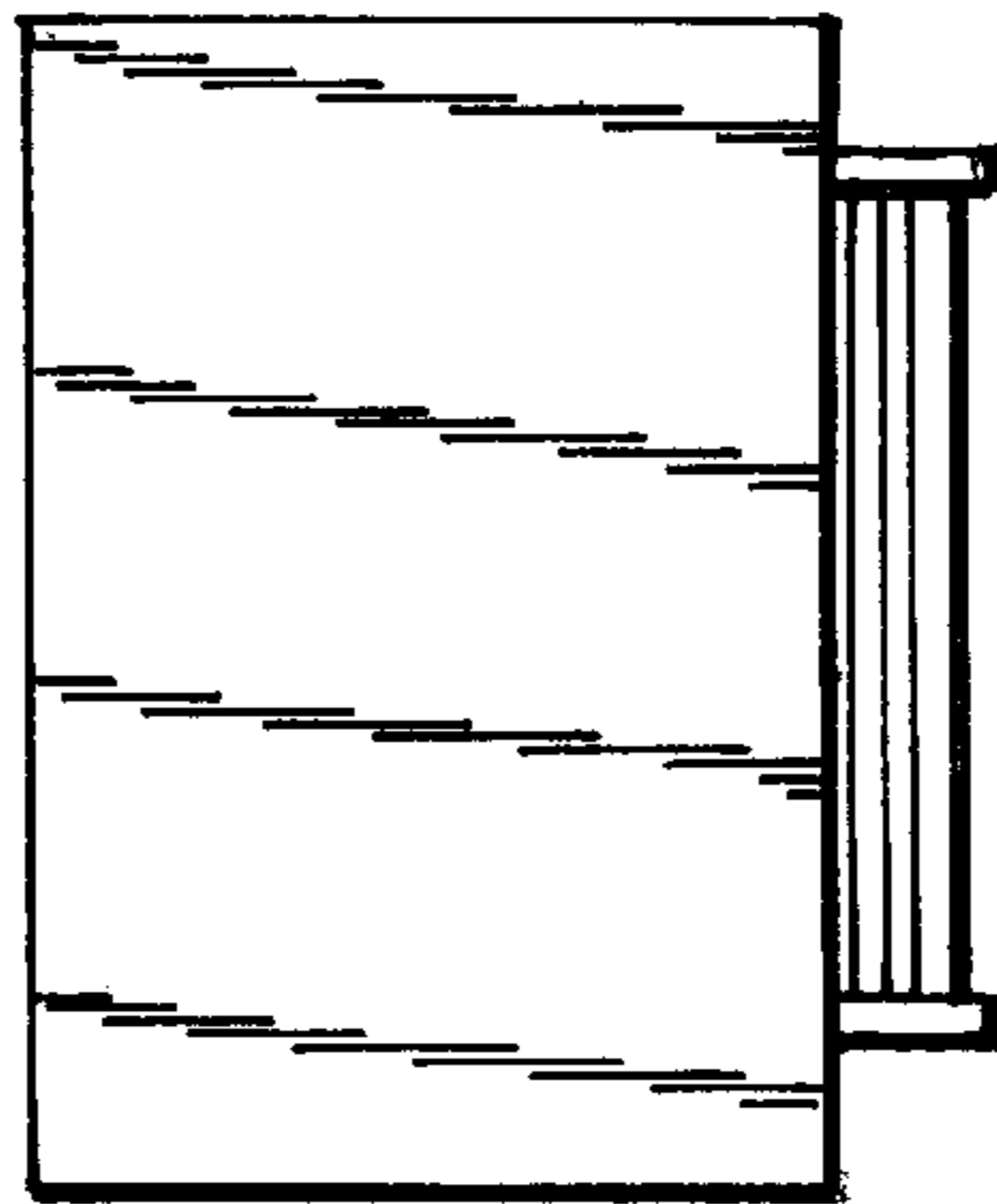


FIG. 6

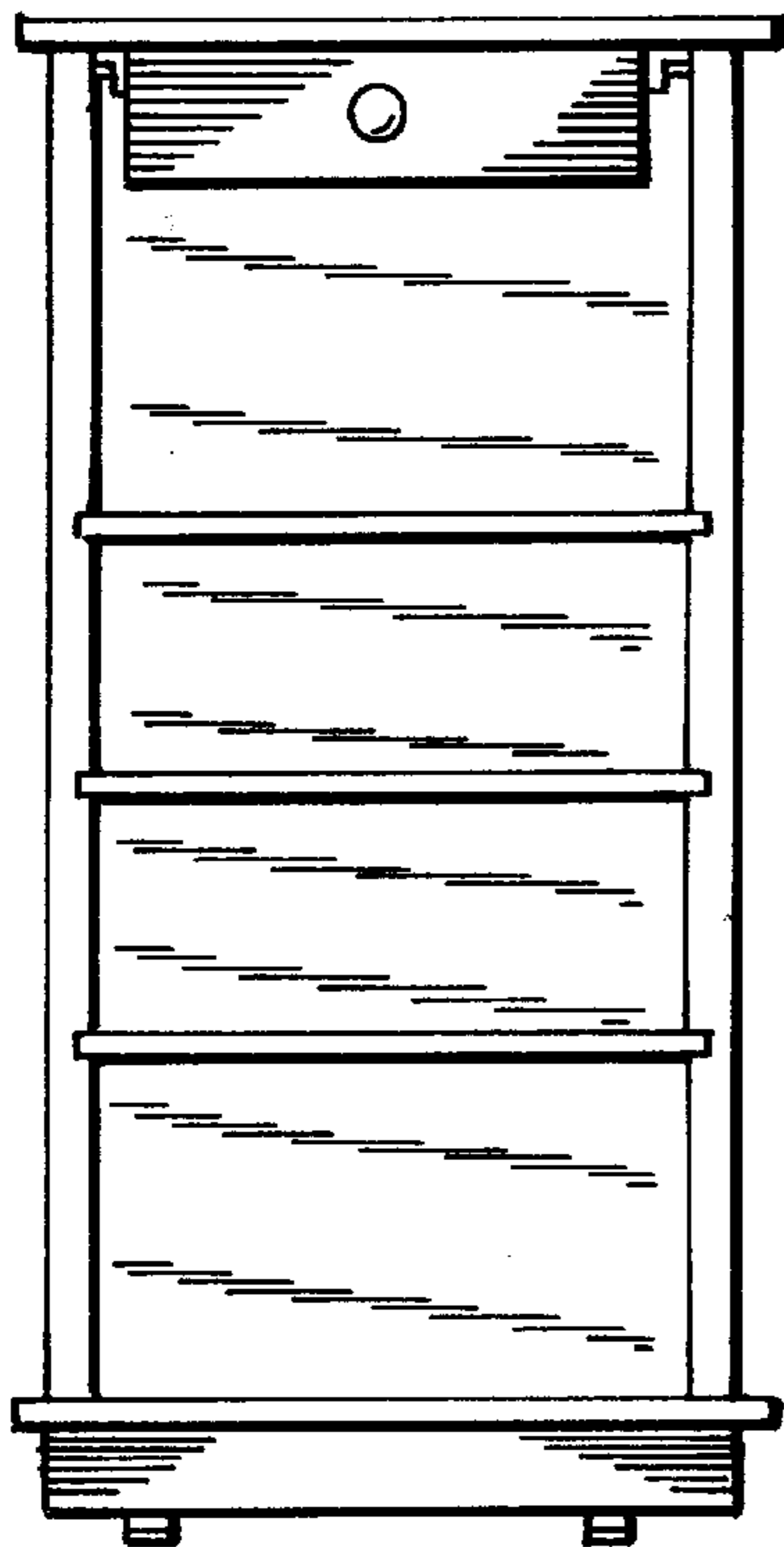


FIG. 4

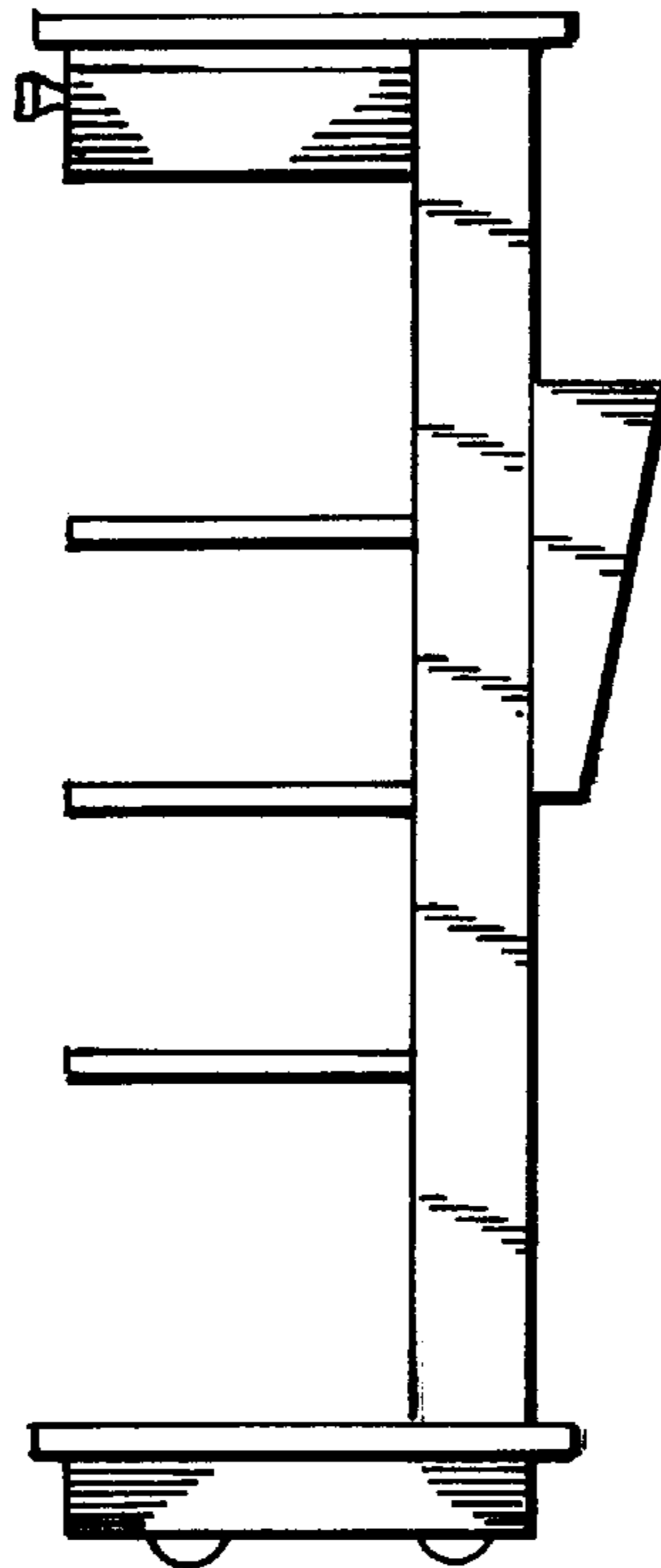


FIG. 3

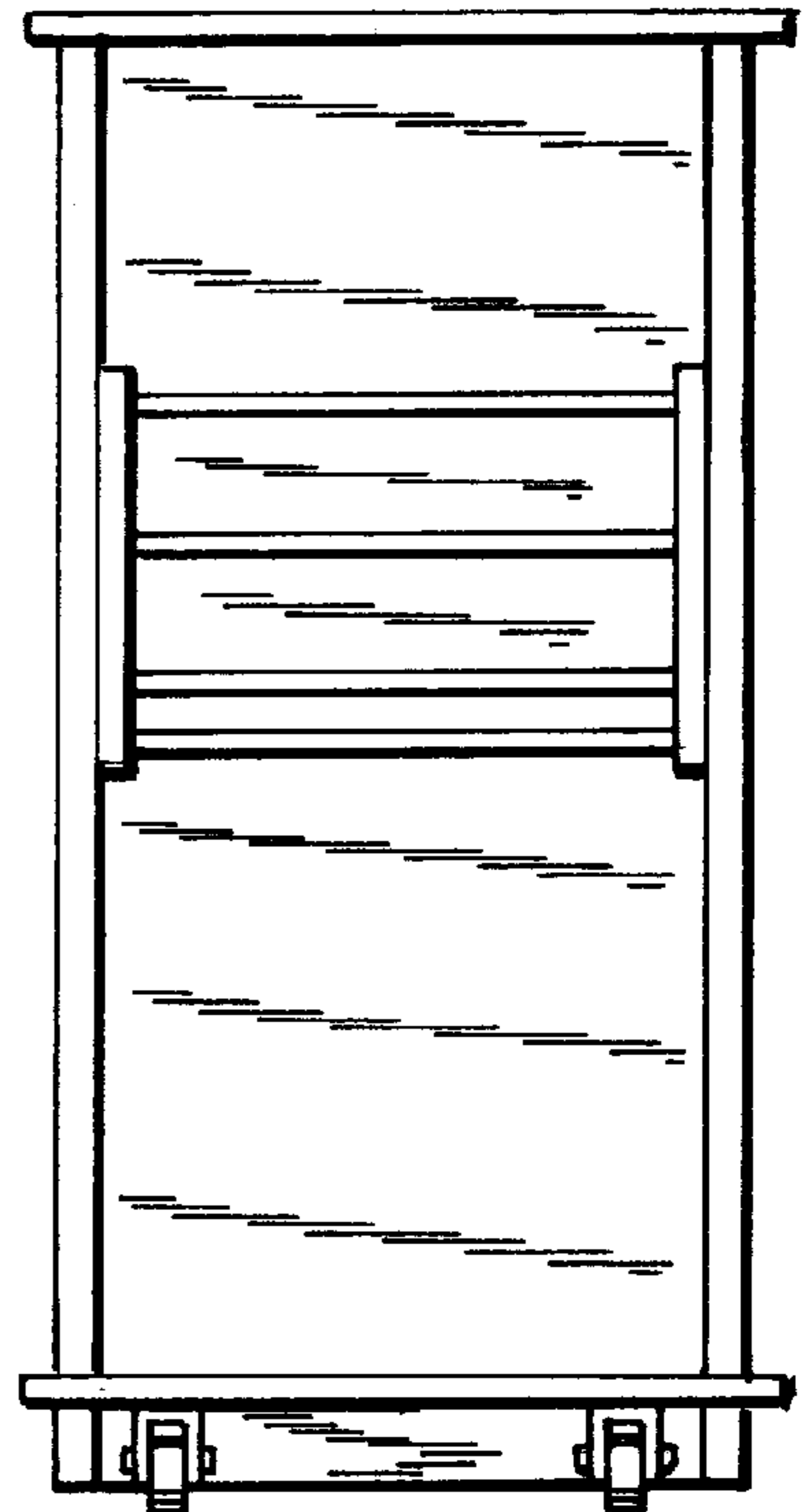


FIG. 5

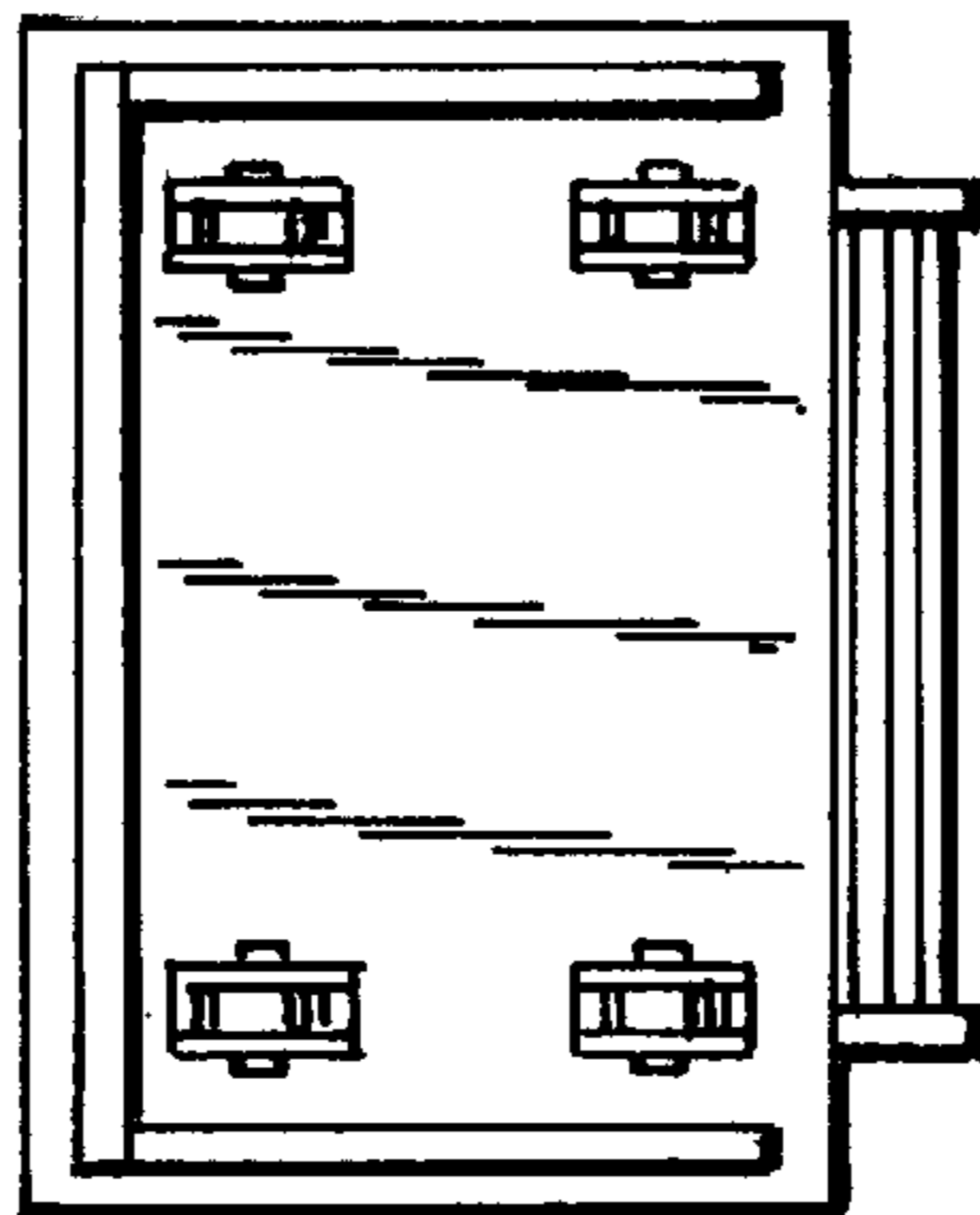


FIG. 7