



US00D411058S

United States Patent [19]
Sellers

[11] **Patent Number: Des. 411,058**
[45] **Date of Patent: ** Jun. 15, 1999**

[54] **PLANT CADDY WITH BUILT-IN SAUCER**

[76] Inventor: **Kathleen R. Sellers**, 129 NW. 13th St.,
D26, Boca Raton, Fla. 33432

[**] Term: **14 Years**

[21] Appl. No.: **29/093,626**

[22] Filed: **Sep. 15, 1998**

[51] **LOC (6) Cl.** **06-99**

[52] **U.S. Cl.** **D6/403**

[58] **Field of Search** D6/403, 405; D7/388;
D11/143; 248/27.8, 153; 206/423; 220/743;
47/65.5, 67, 70-72, 44, 46, 39, 40, 66.1,
71

[56] **References Cited**

U.S. PATENT DOCUMENTS

D. 49,384	7/1916	Bennett	D11/147
D. 399,386	10/1998	Goodman	D7/403 X
1,631,725	6/1927	Halvorsen	248/153 X
2,707,351	5/1955	Walker	47/39

OTHER PUBLICATIONS

Gardener's Eden, Fleur-de-Lis Trivet at bottom of p. 45,1995.

Gardener's Eden, Acrylic Plant Dollies at bottom of p. 14, summer 1991.

Contico Lawn and Garden Catalog, Italian Caster Pots and Trays on p. 3, 1995.

Hines Pottery, Faux Clay Deli-Doli, top left of inside cover, 1995.

Primary Examiner—Doris V. Coles

Assistant Examiner—Linda Brooks

Attorney, Agent, or Firm—Malin, Haley, DiMaggio & Crosby, PA

[57] **CLAIM**

The ornamental design for a plant caddy with built-in saucer, as shown and described.

DESCRIPTION

FIG. 1 is a perspective view of the plant caddy with built-in saucer, shown with the saucer removed for clarity of illustration;

FIG. 2 is a top plan view thereof on a reduced scale;

FIG. 3 is a side elevational view of FIG. 2, the opposite side view being identical;

FIG. 4 is a bottom plan view of FIG. 2;

FIG. 5 is a perspective view of the first embodiment of the plant caddy with built-in saucer, shown with the saucer in position of use;

FIG. 6 is a top plan view of FIG. 5 on a reduced scale;

FIG. 7 is a side elevational view of FIG. 6, the opposite side view being identical;

FIG. 8 is a bottom plan view of FIG. 6;

FIG. 9 is a perspective view of the plant caddy with built-in saucer, shown with the saucer removed for clarity of illustration, and with wheels shown in broken lines for purposes of illustration only and forming no part of the claimed design;

FIG. 10 is a top plan view of FIG. 9 on a reduced scale;

FIG. 11 is a side elevational view of FIG. 10, the opposite side view being identical;

FIG. 12 is a bottom plan view of FIG. 10;

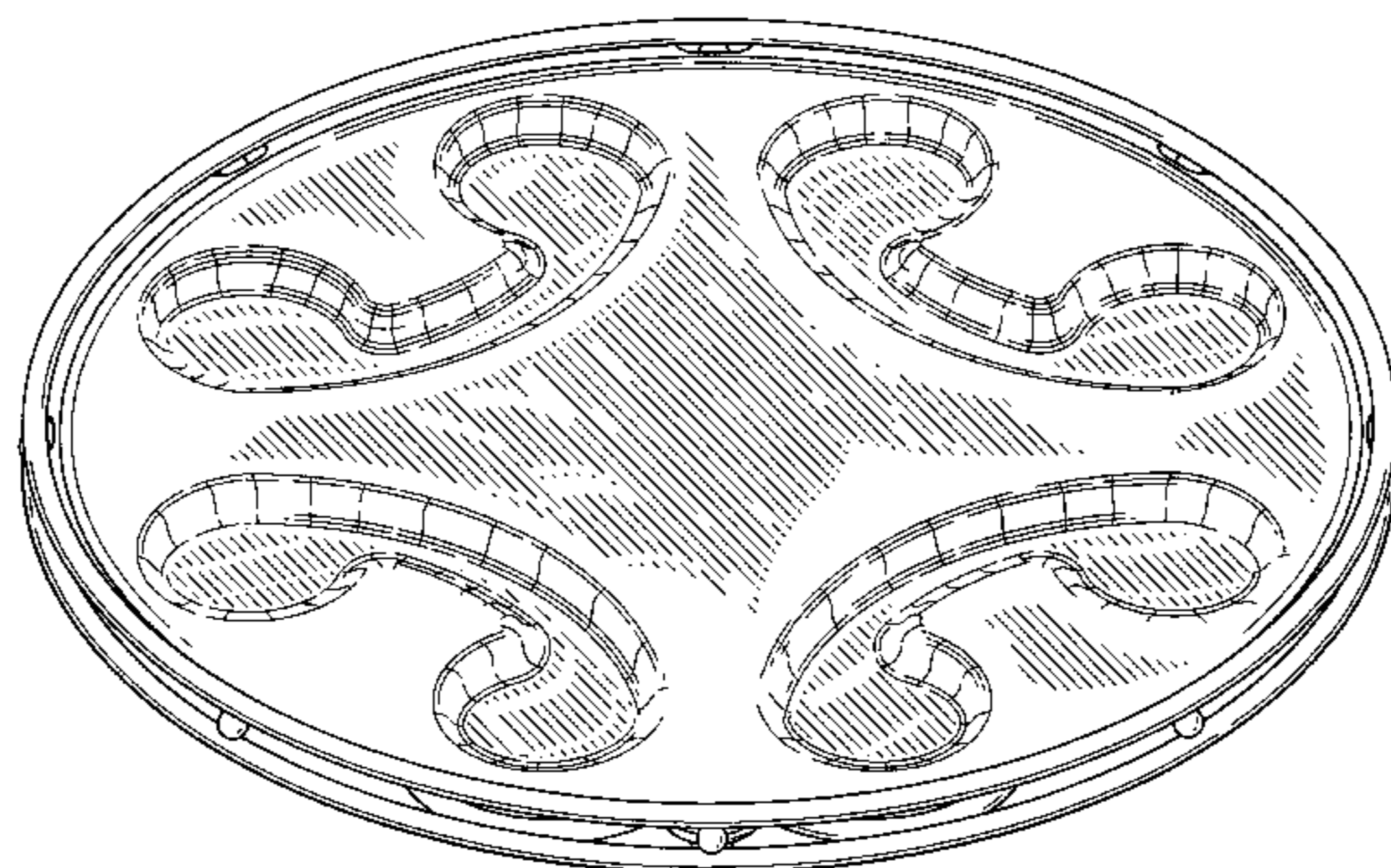
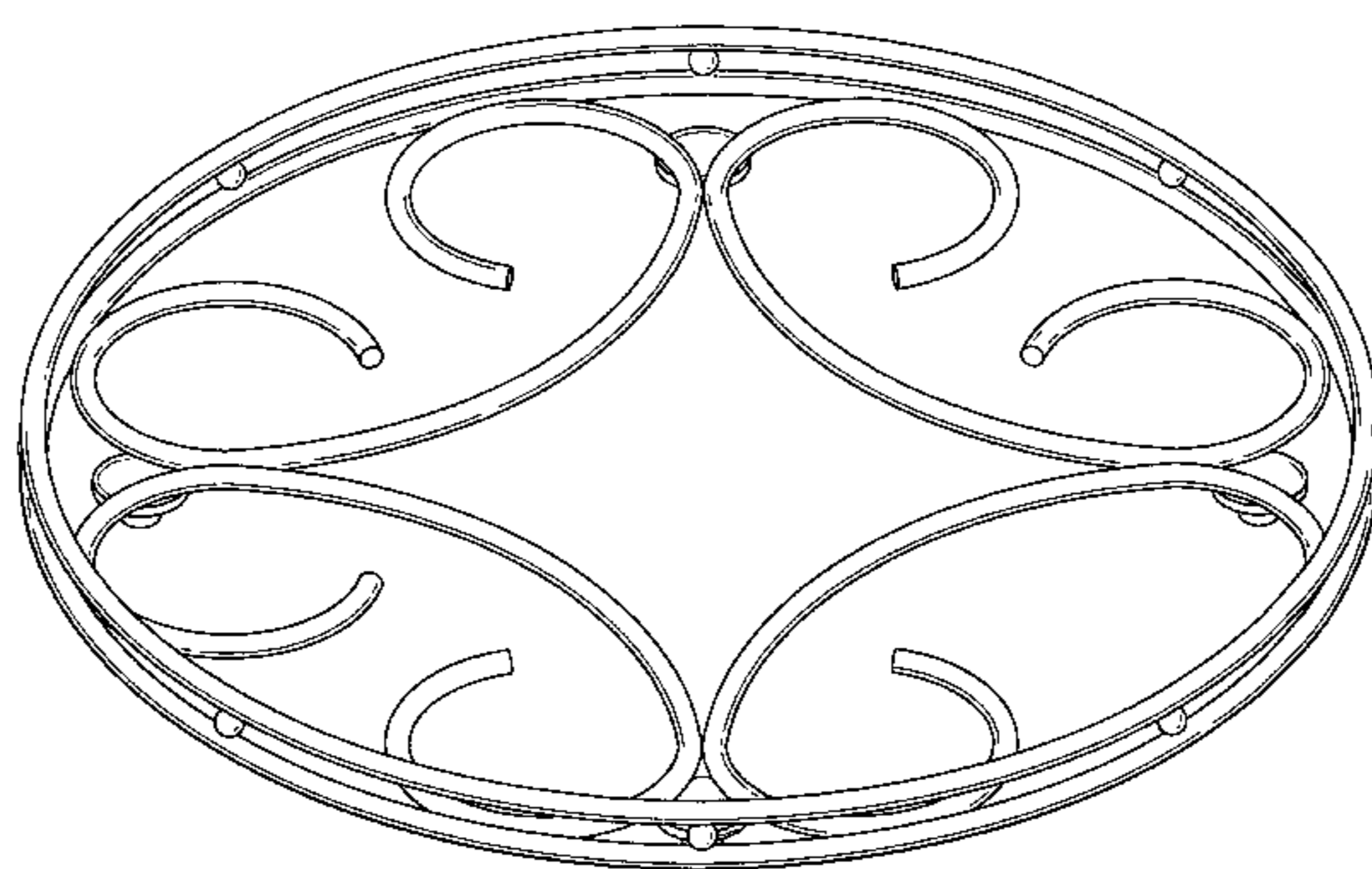
FIG. 13 is a perspective view of FIG. 9, shown with the saucer in position of use;

FIG. 14 is a top plan view of FIG. 13 on a reduced scale;

FIG. 15 is a side elevational view of FIG. 14, the opposite side view being identical; and,

FIG. 16 is a bottom view of FIG. 14.

1 Claim, 8 Drawing Sheets



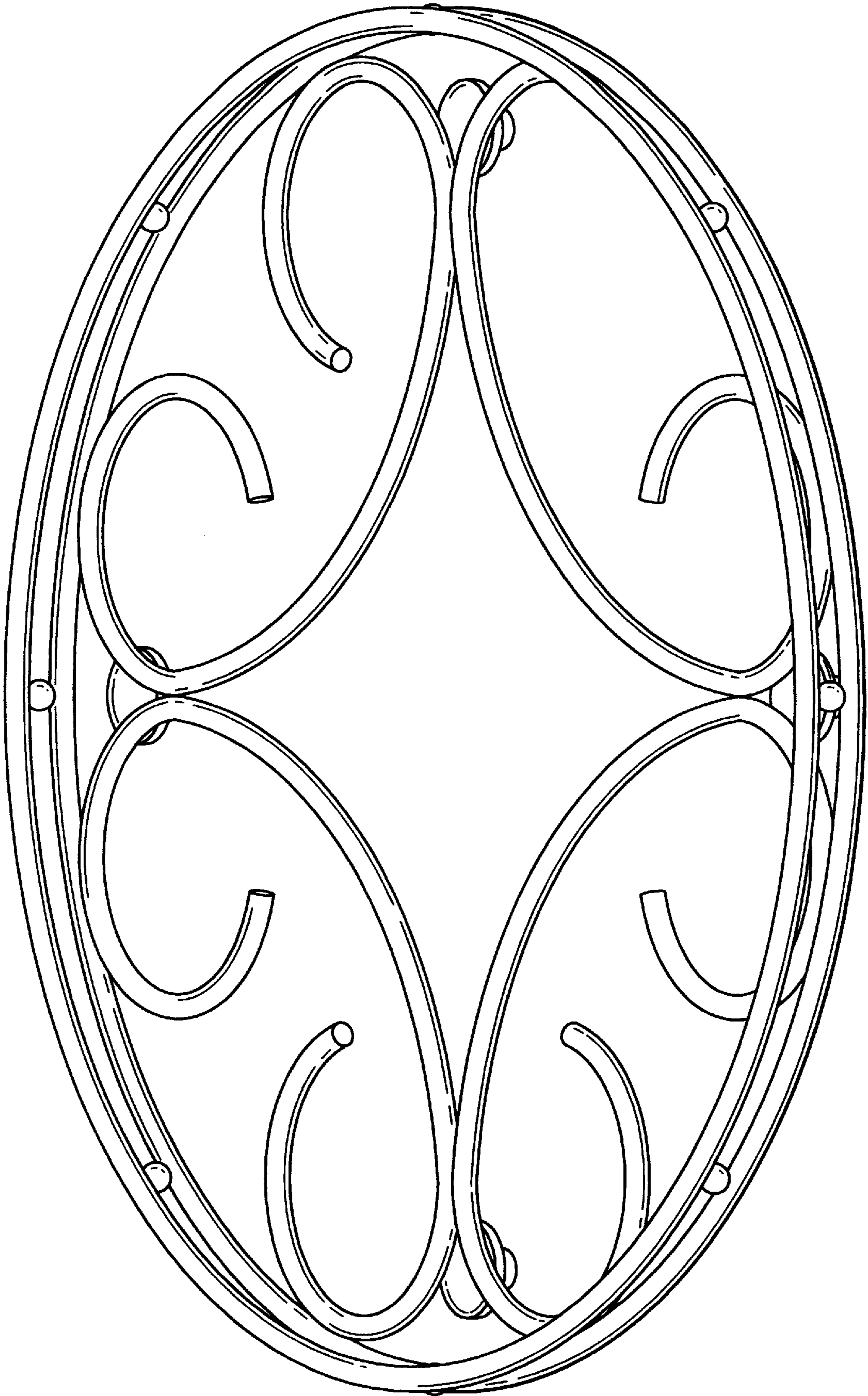


FIG. 1

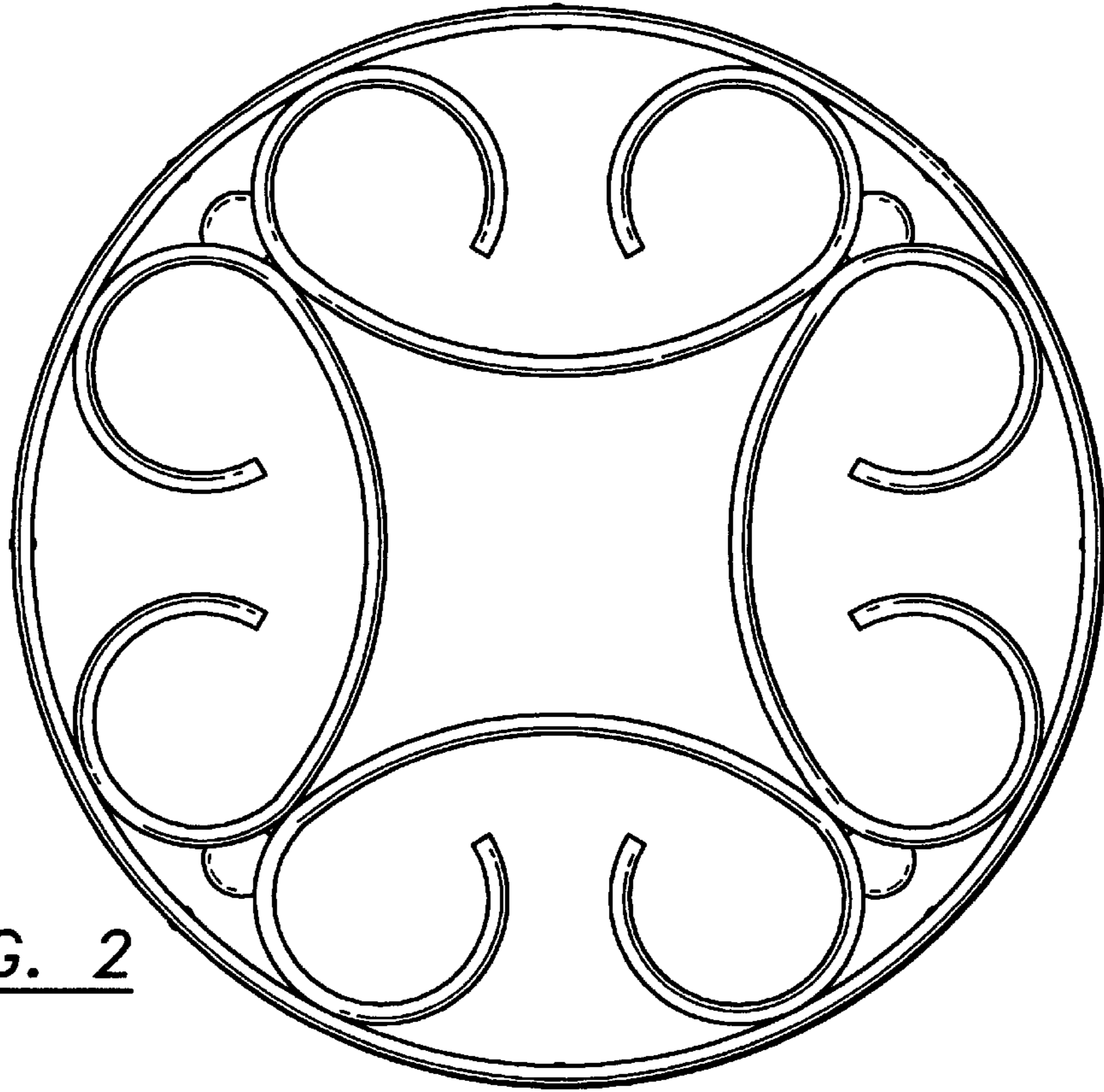


FIG. 2

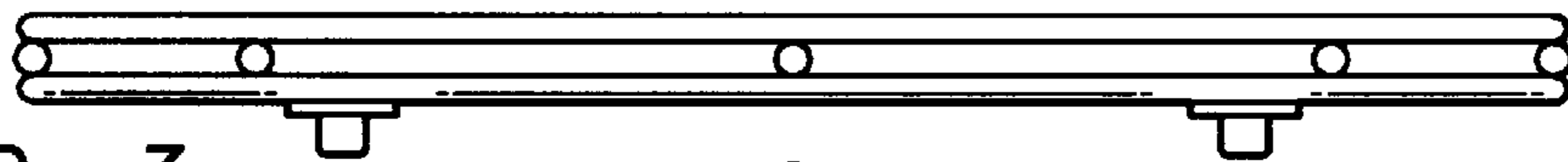


FIG. 3

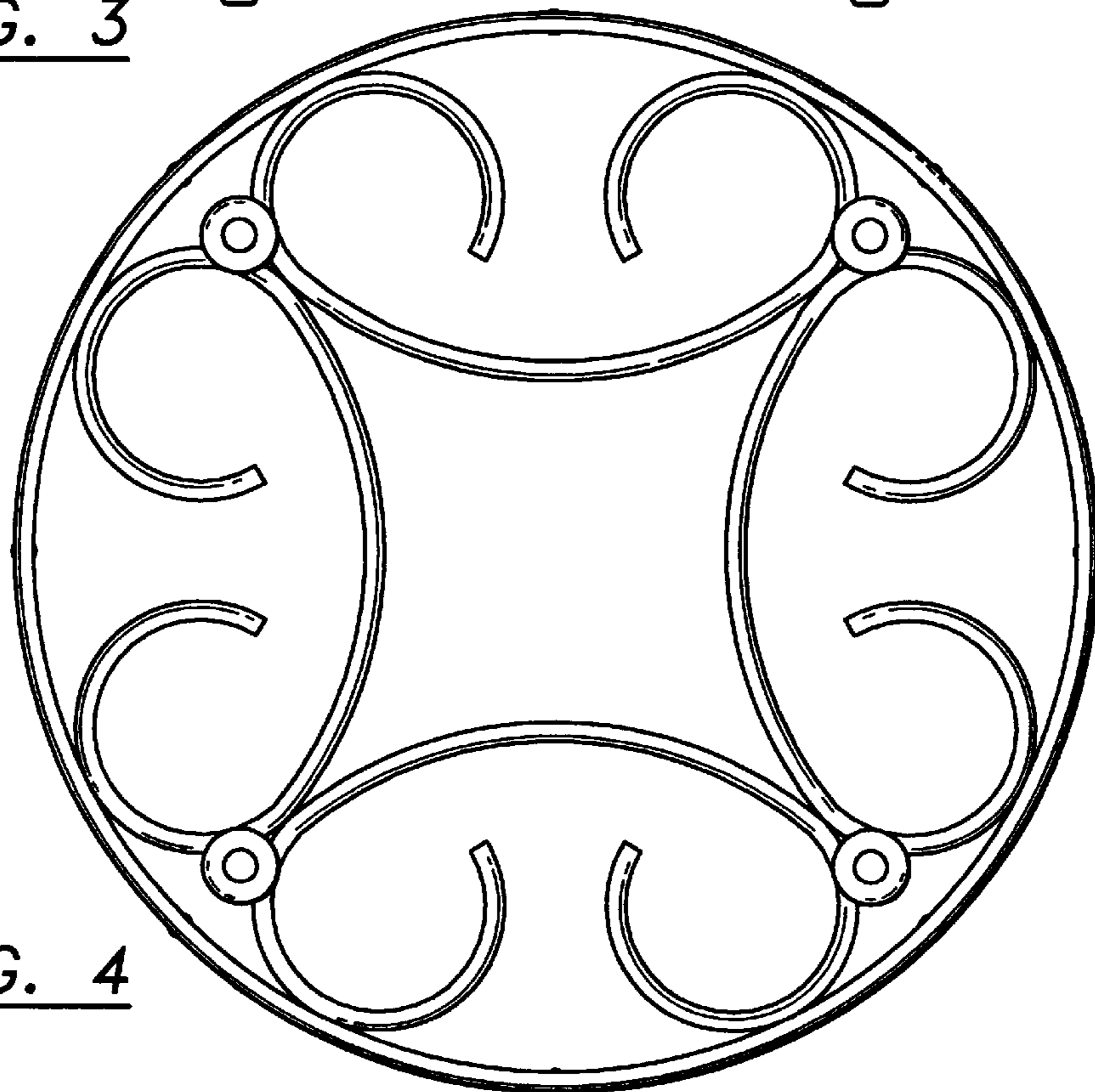


FIG. 4

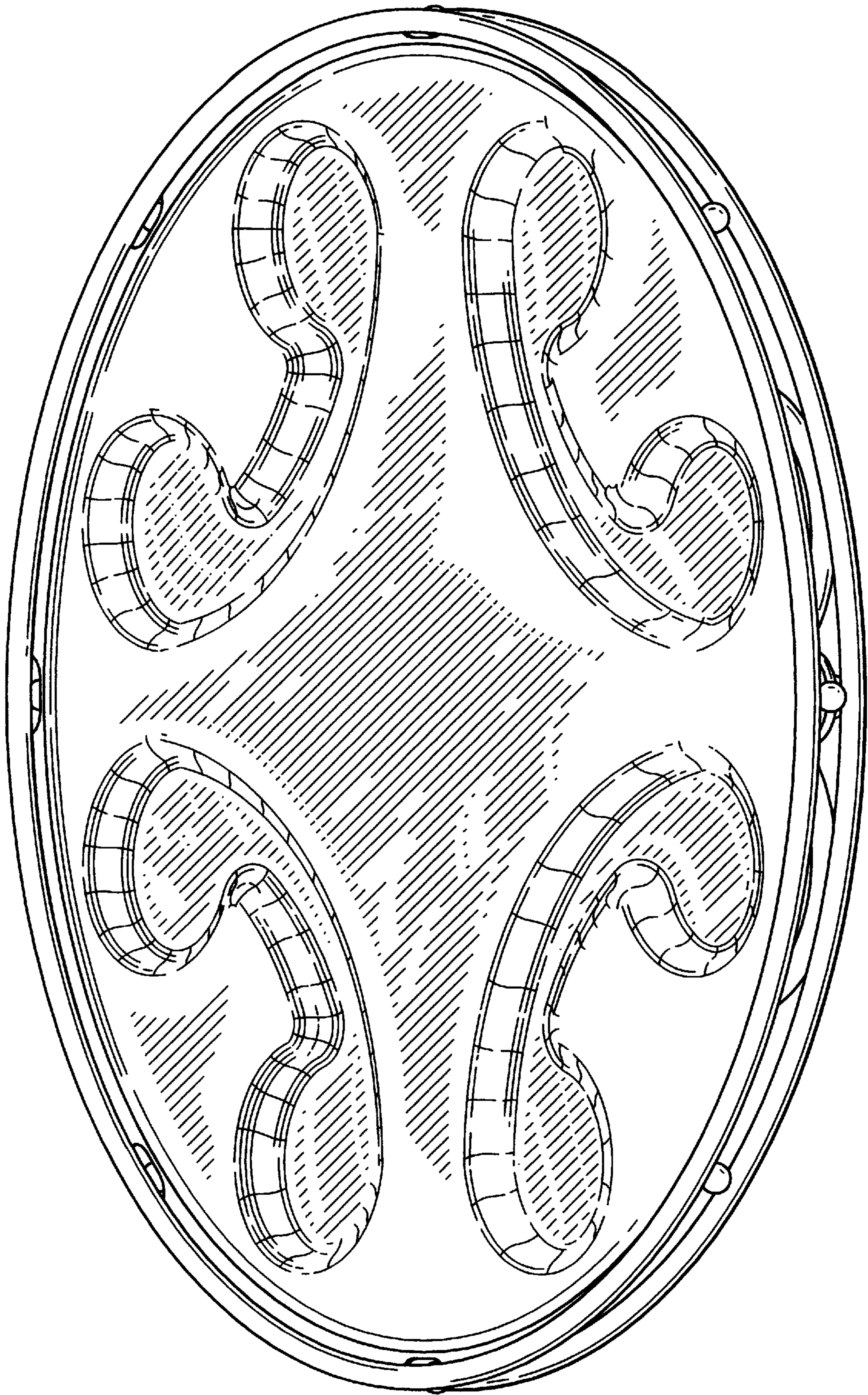


FIG. 5

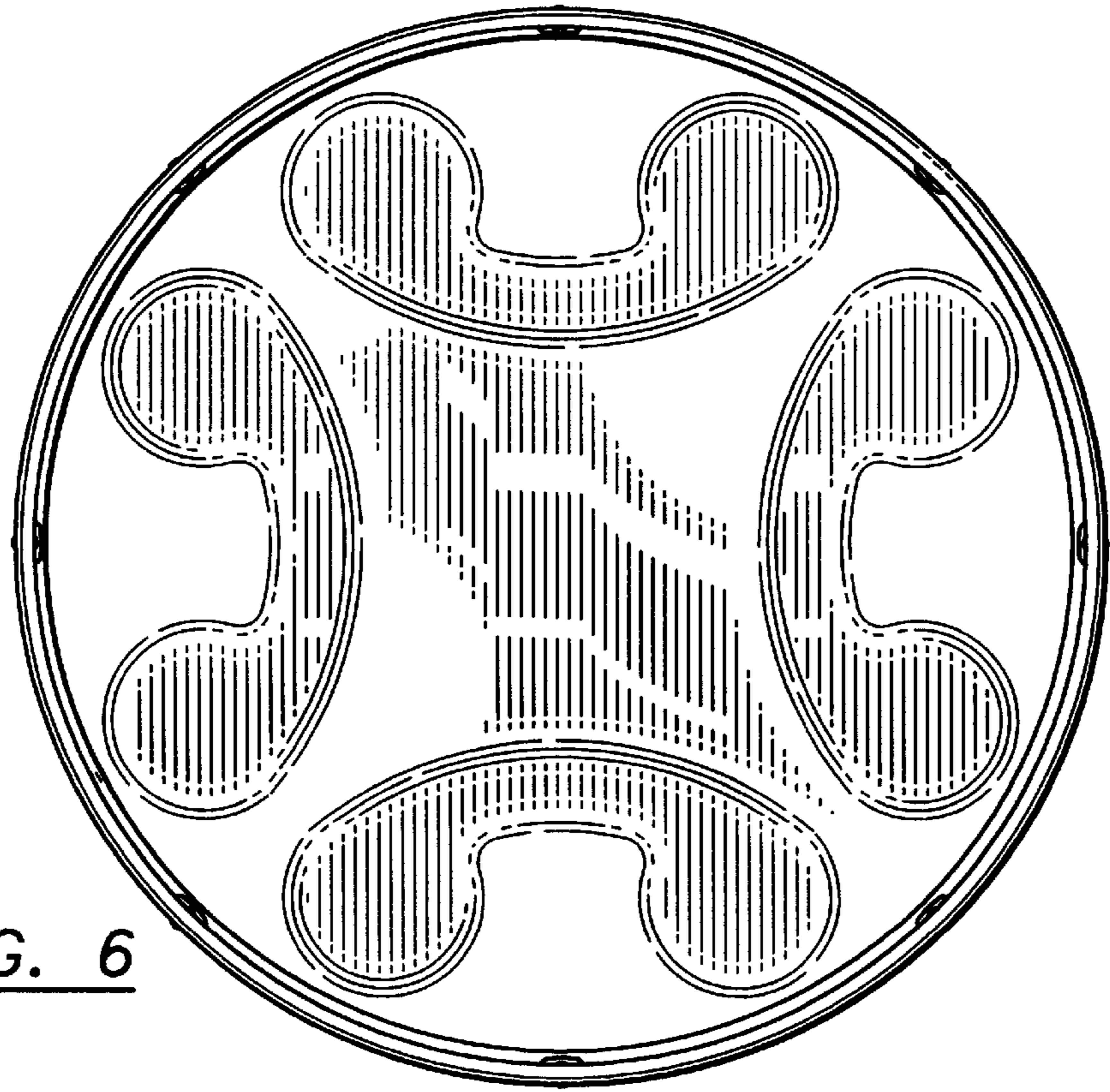


FIG. 6

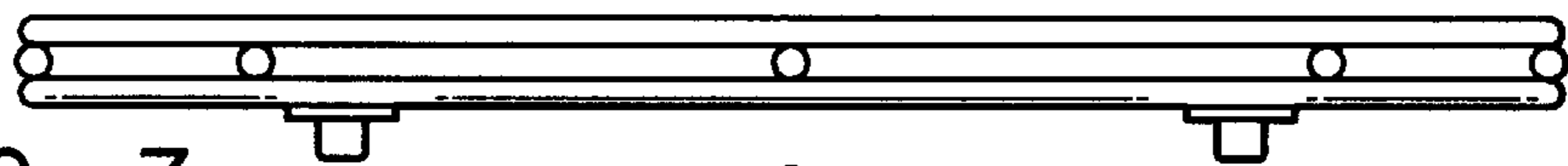


FIG. 7

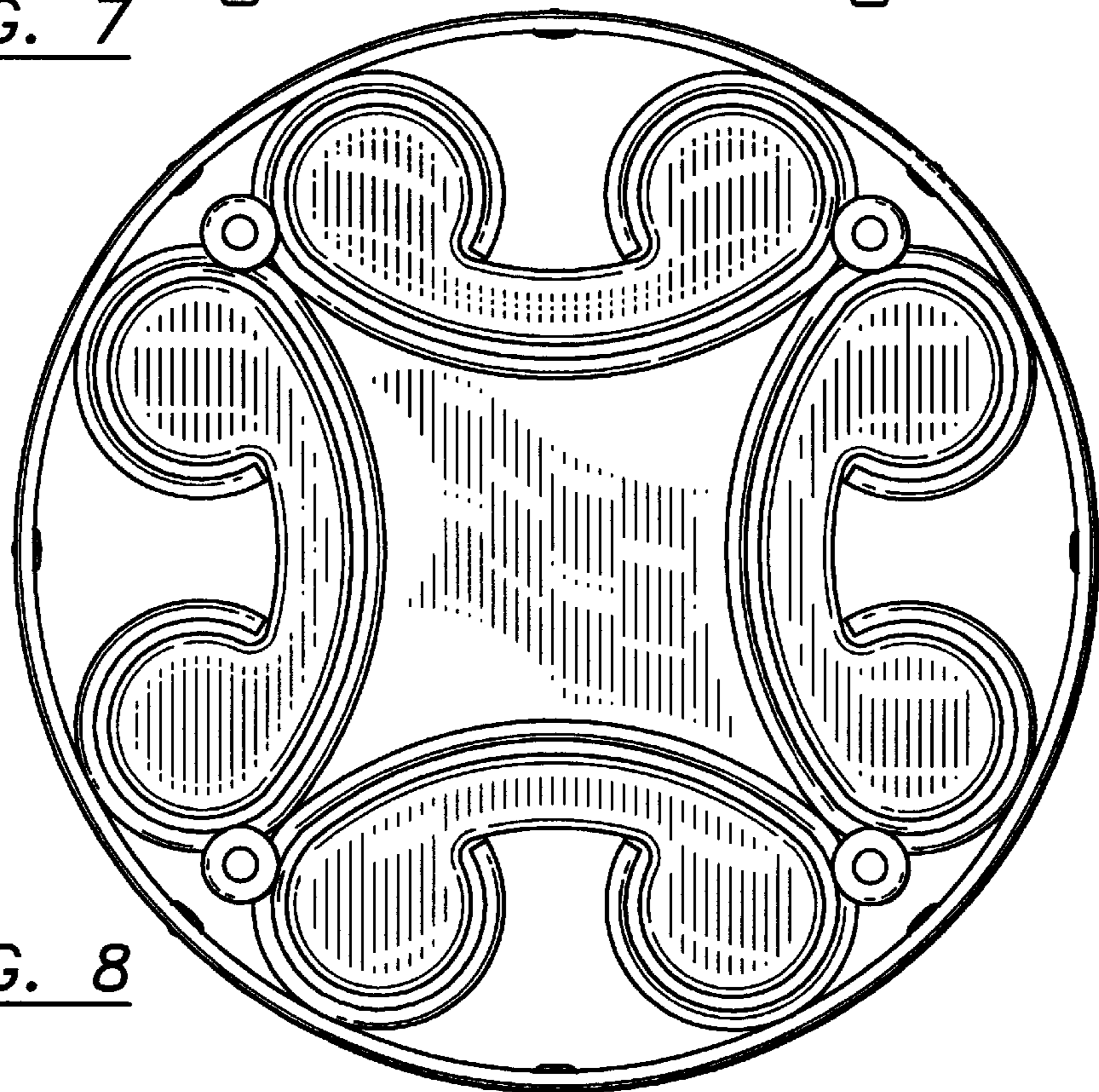


FIG. 8

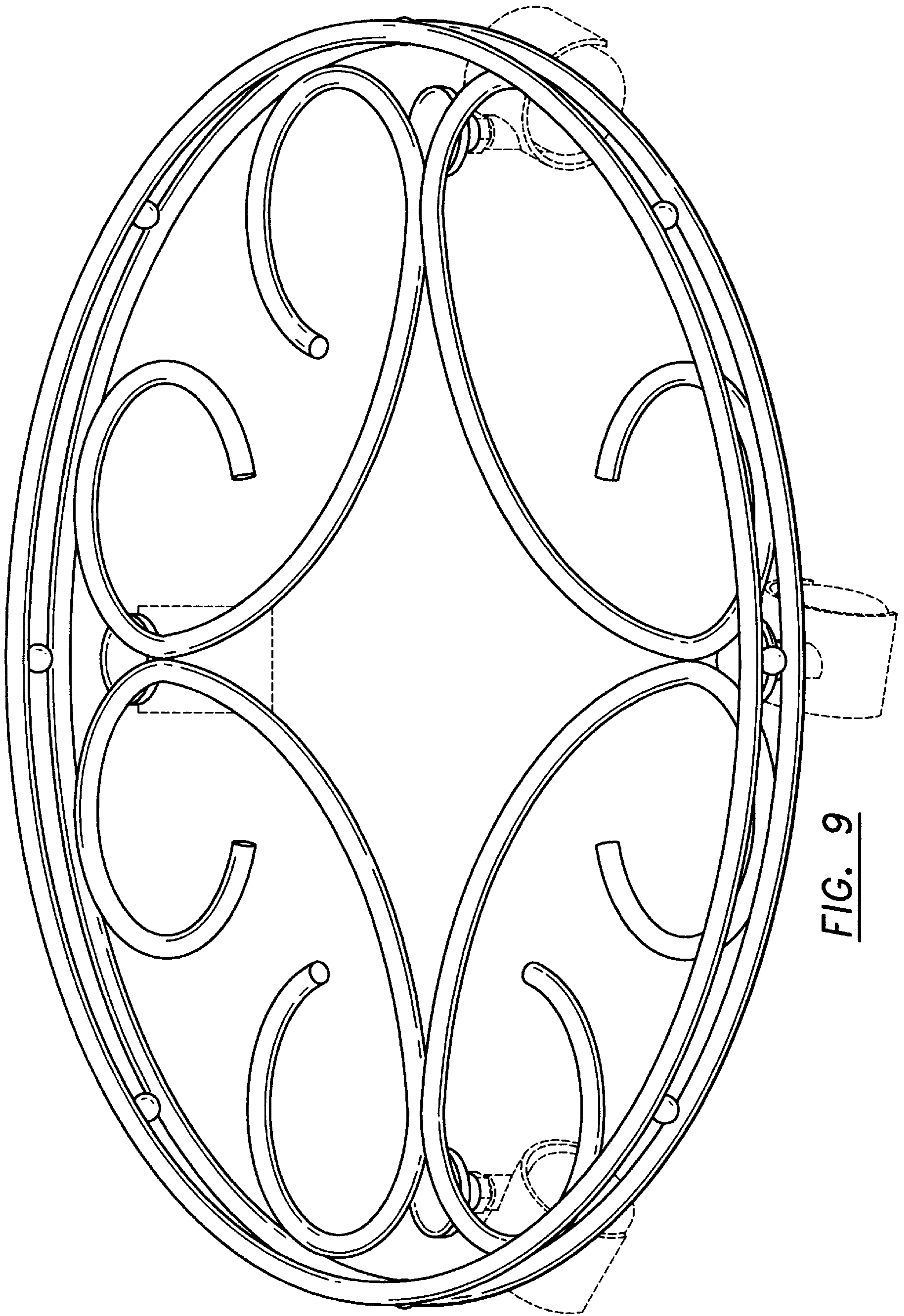


FIG. 9

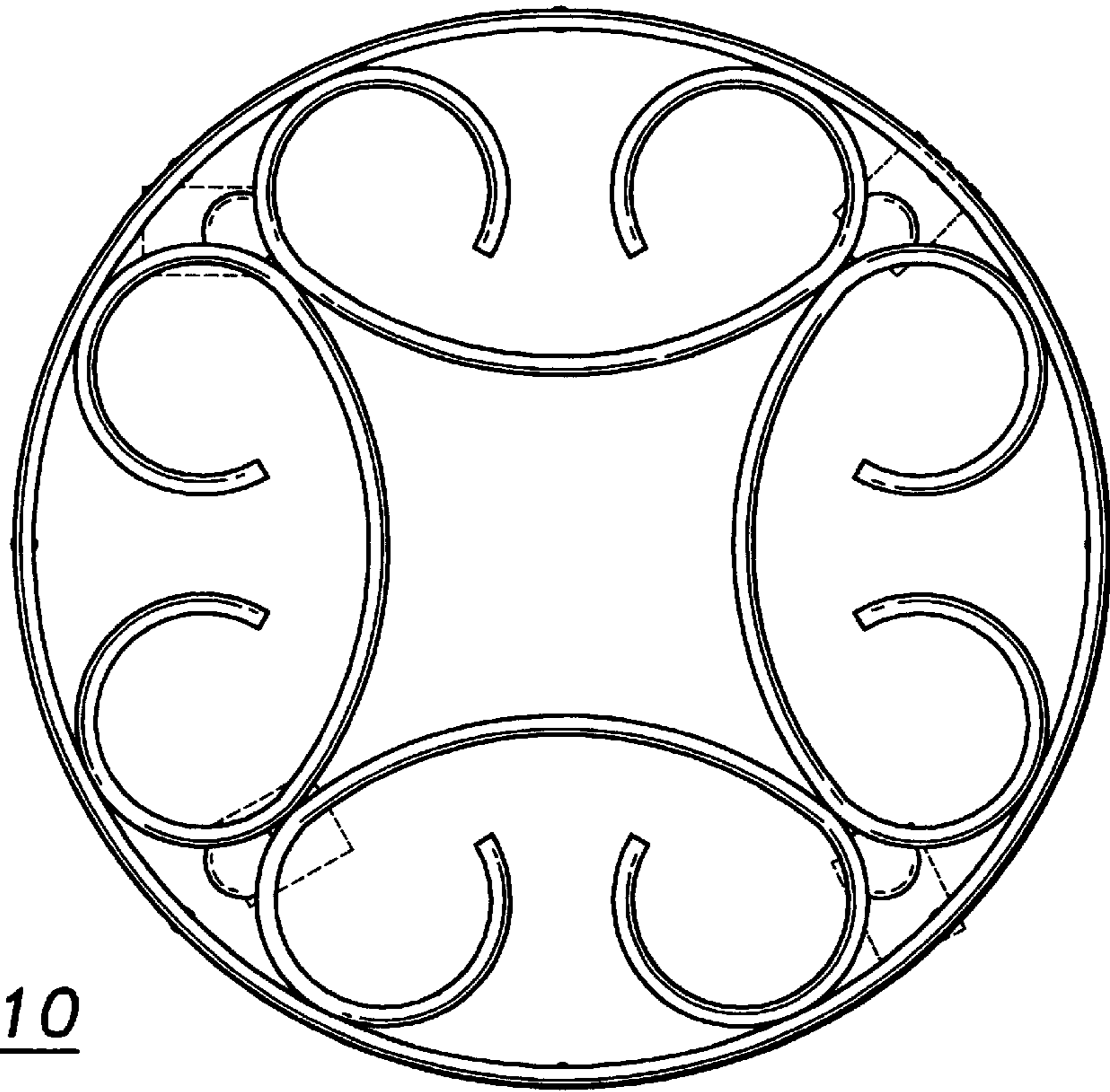


FIG. 10

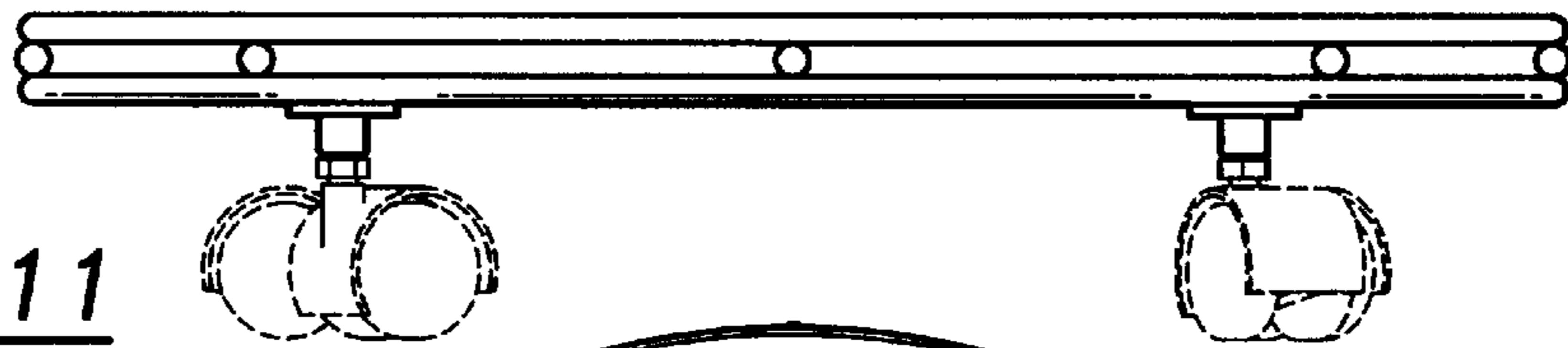


FIG. 11

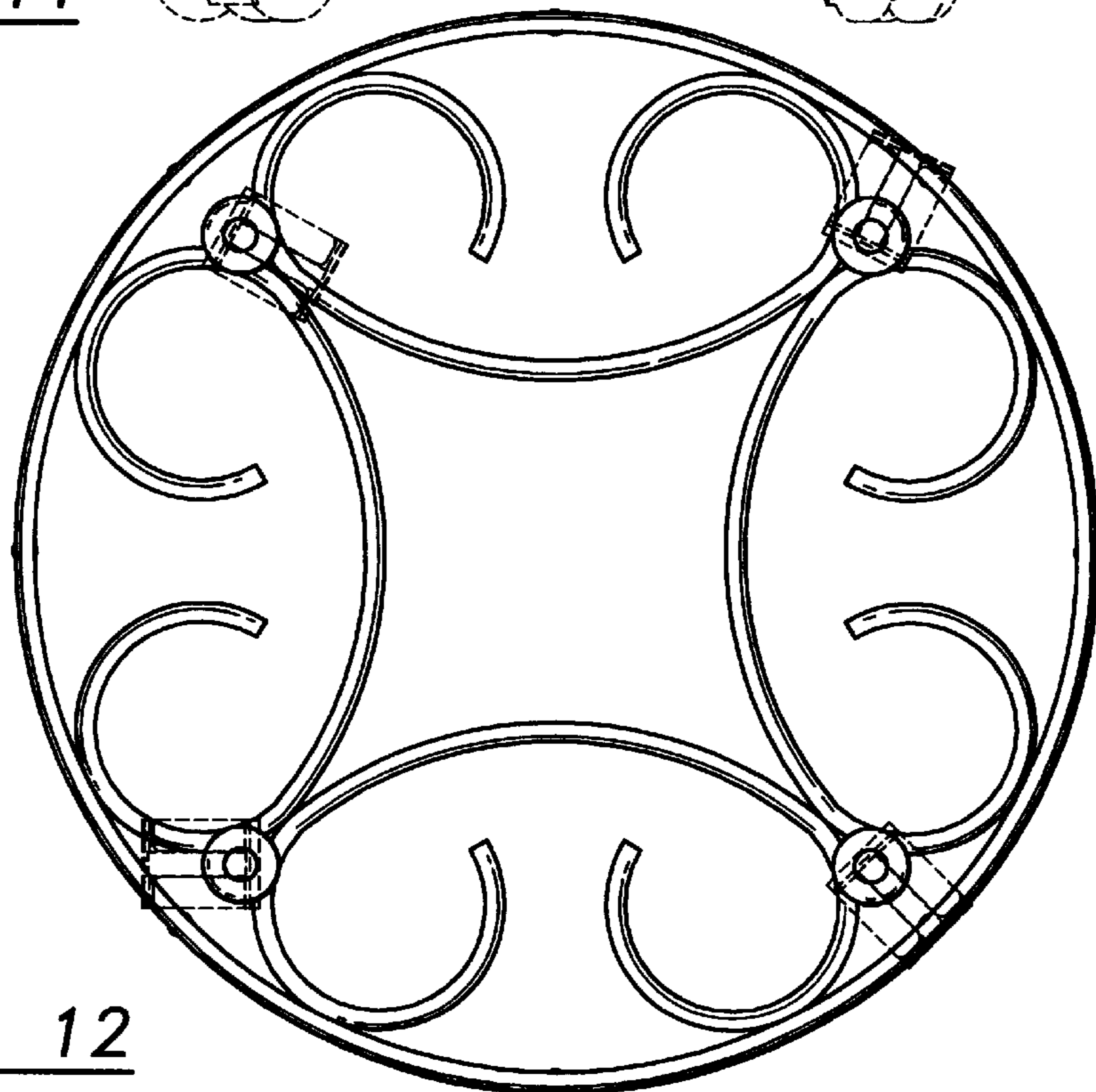


FIG. 12

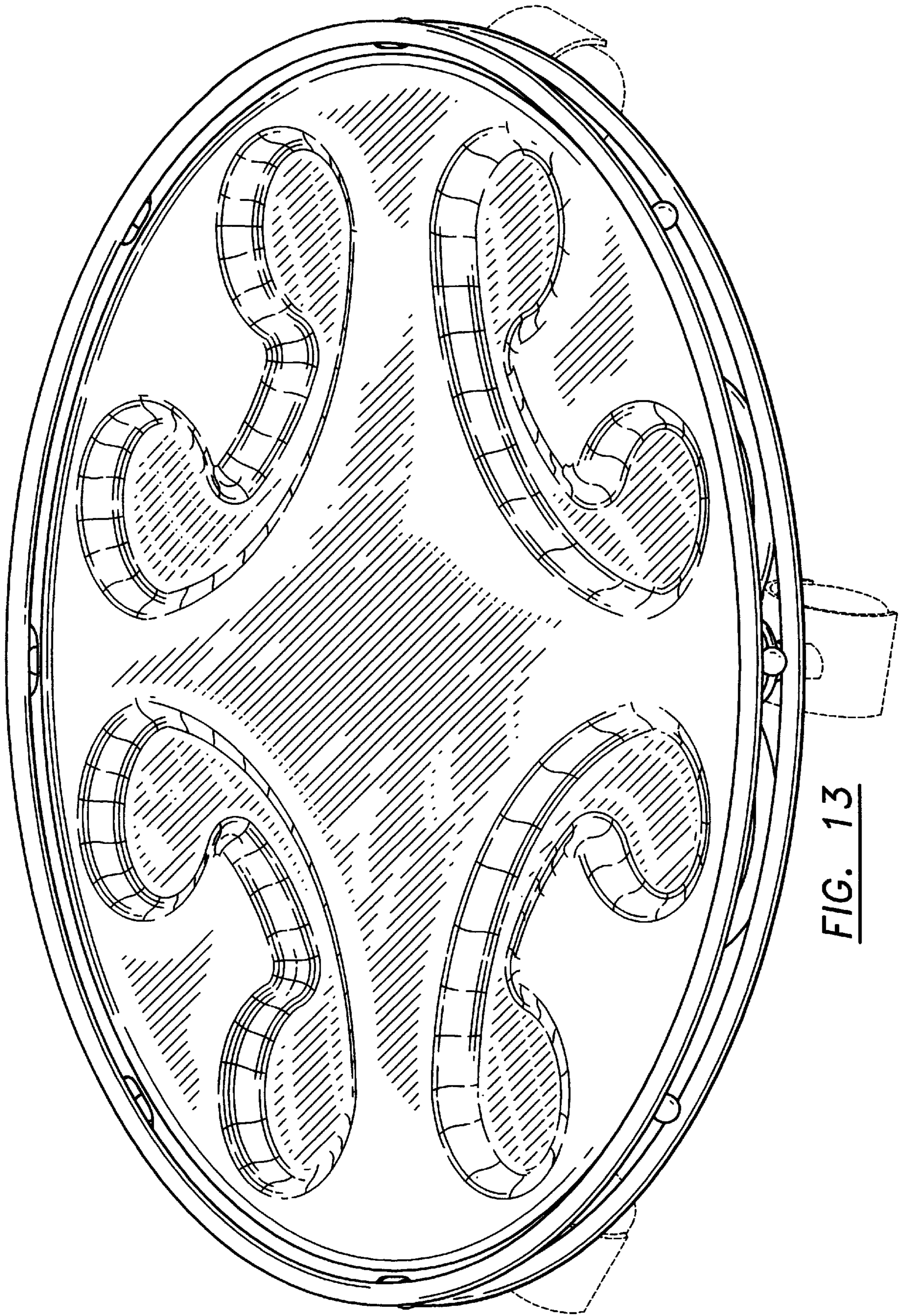


FIG. 13

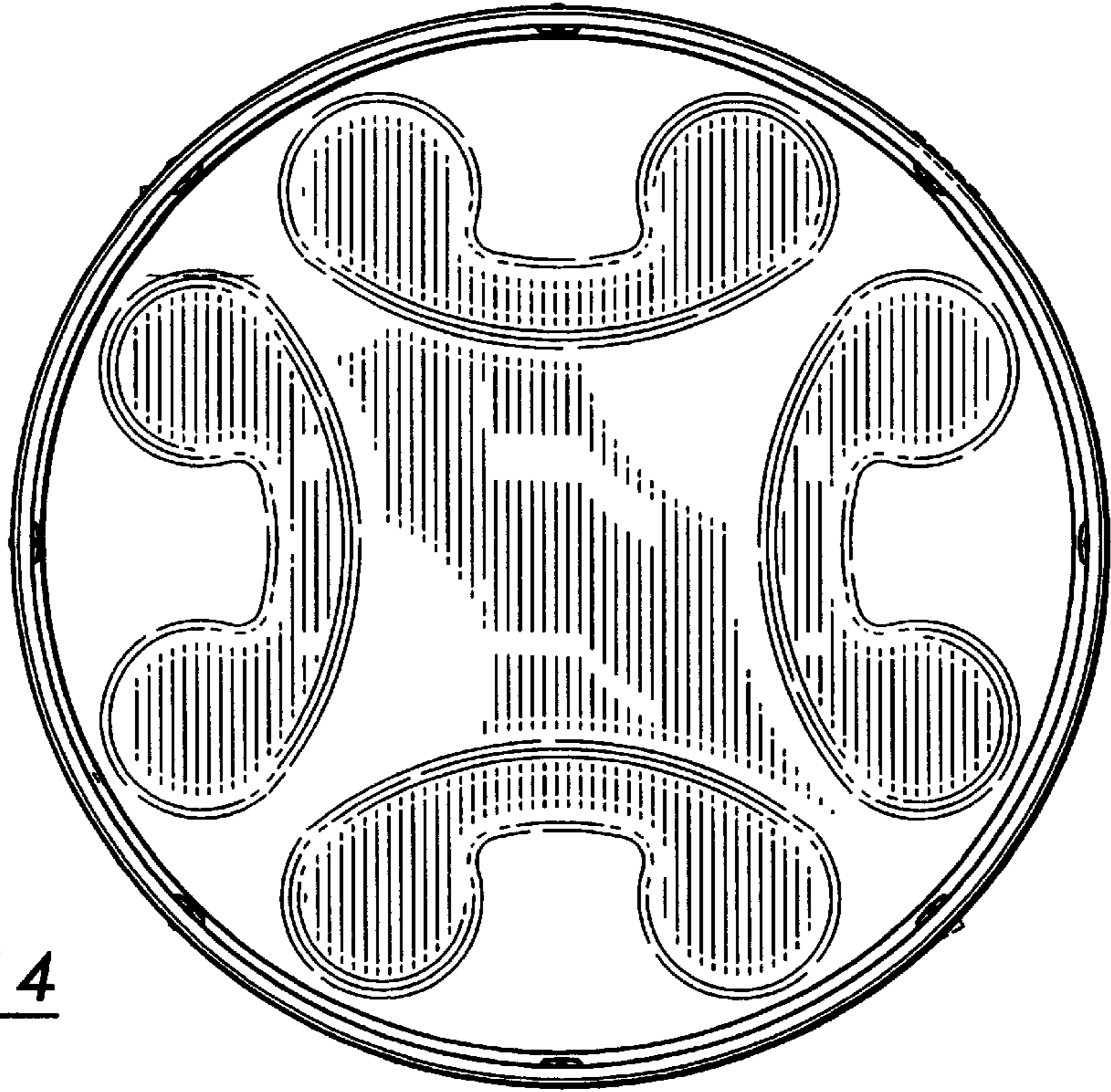


FIG. 14

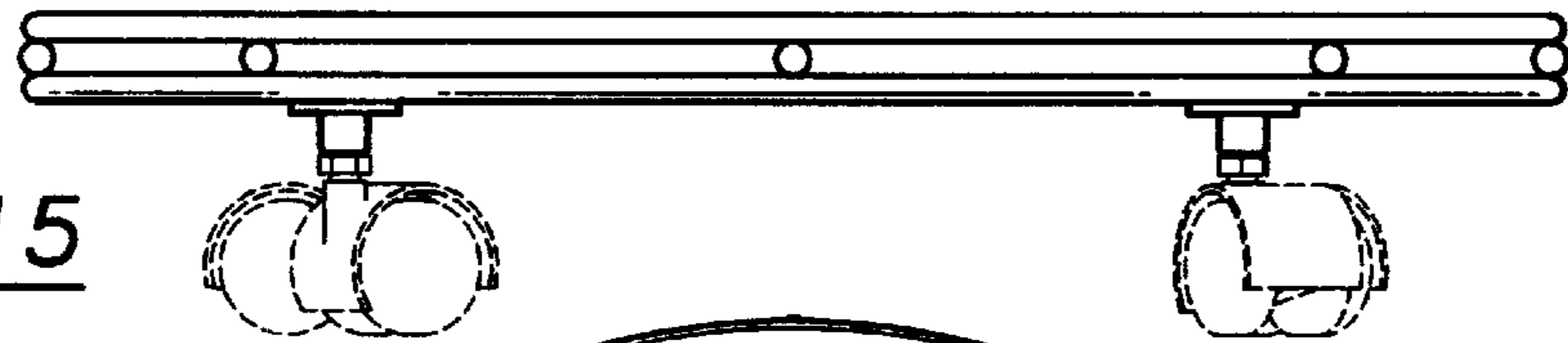


FIG. 15

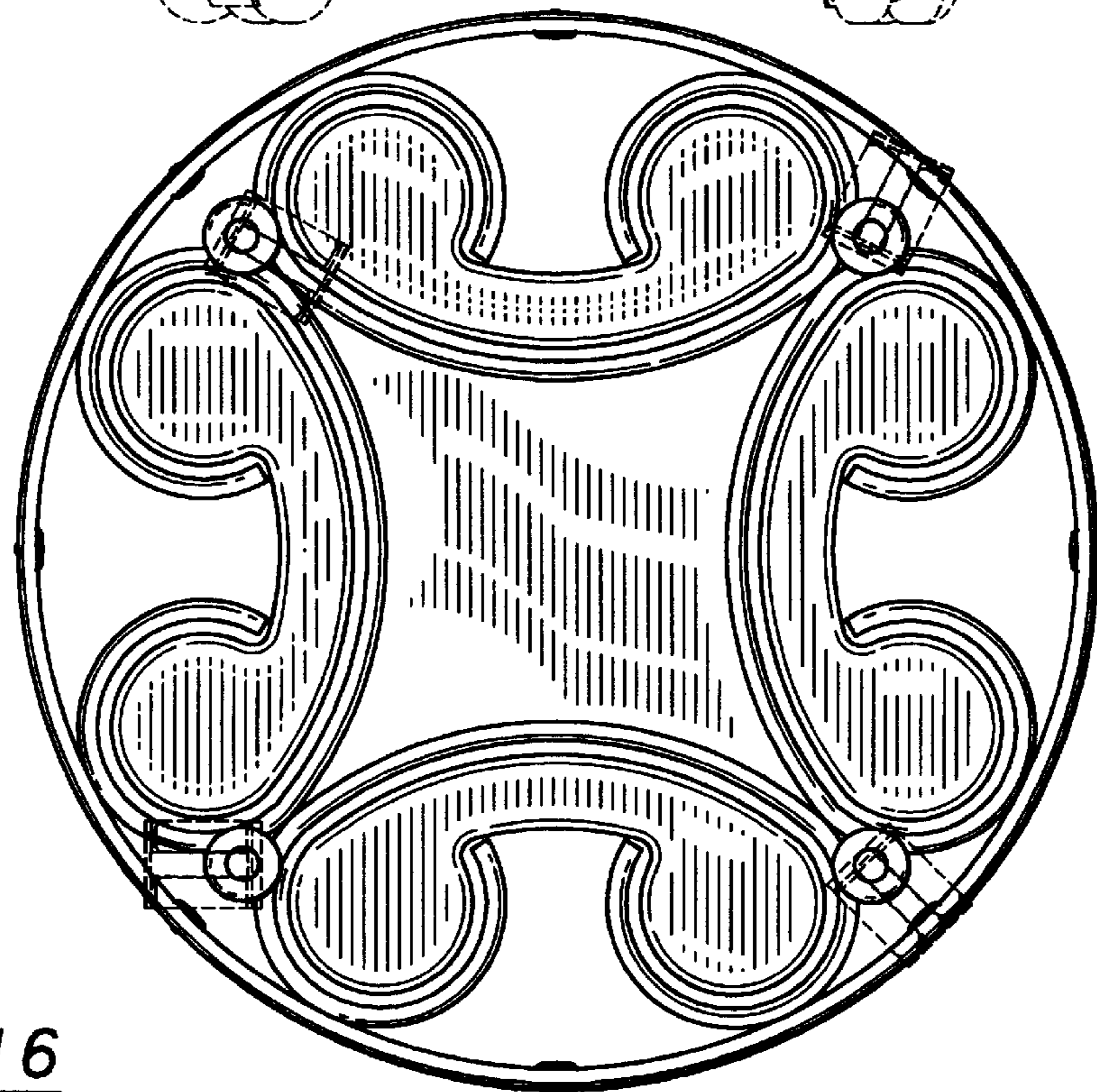


FIG. 16