



US00D411057S

United States Patent [19]

Johnson, Jr.

[11] Patent Number: **Des. 411,057**

[45] Date of Patent: **** Jun. 15, 1999**

[54] **FOLDING BOX SPRINGS**

[76] Inventor: **Clevon T Johnson, Jr.**, 25713 Elzey Brown Loop Rd., Mardela Springs, Md. 21837

[**] Term: **14 Years**

[21] Appl. No.: **29/086,005**

[22] Filed: **Apr. 2, 1998**

[51] **LOC (6) Cl.** **06-01**

[52] **U.S. Cl.** **D6/392**

[58] **Field of Search** D6/382, 386, 387, D6/392, 361; 5/627, 120-130, 174, 178-180, 110, 236.1, 201, 12.2, 12.1

[56] **References Cited**

U.S. PATENT DOCUMENTS

4,729,136	3/1988	Santo	5/201
4,868,939	9/1989	Tagtow	5/103
5,701,653	12/1997	Rupe	5/236.1
5,758,372	6/1998	Lopez-Diaz	5/201

Primary Examiner—Janice E. Seeger

[57] **CLAIM**

The ornamental design for a folding box spring, as shown.

DESCRIPTION

FIG. 1 is a top plan view of the folding box spring of the present invention;

FIG. 2 is a bottom plan view of the folding box spring of FIG. 1;

FIG. 3 is a right side elevational view of the folding box spring of FIG. 1;

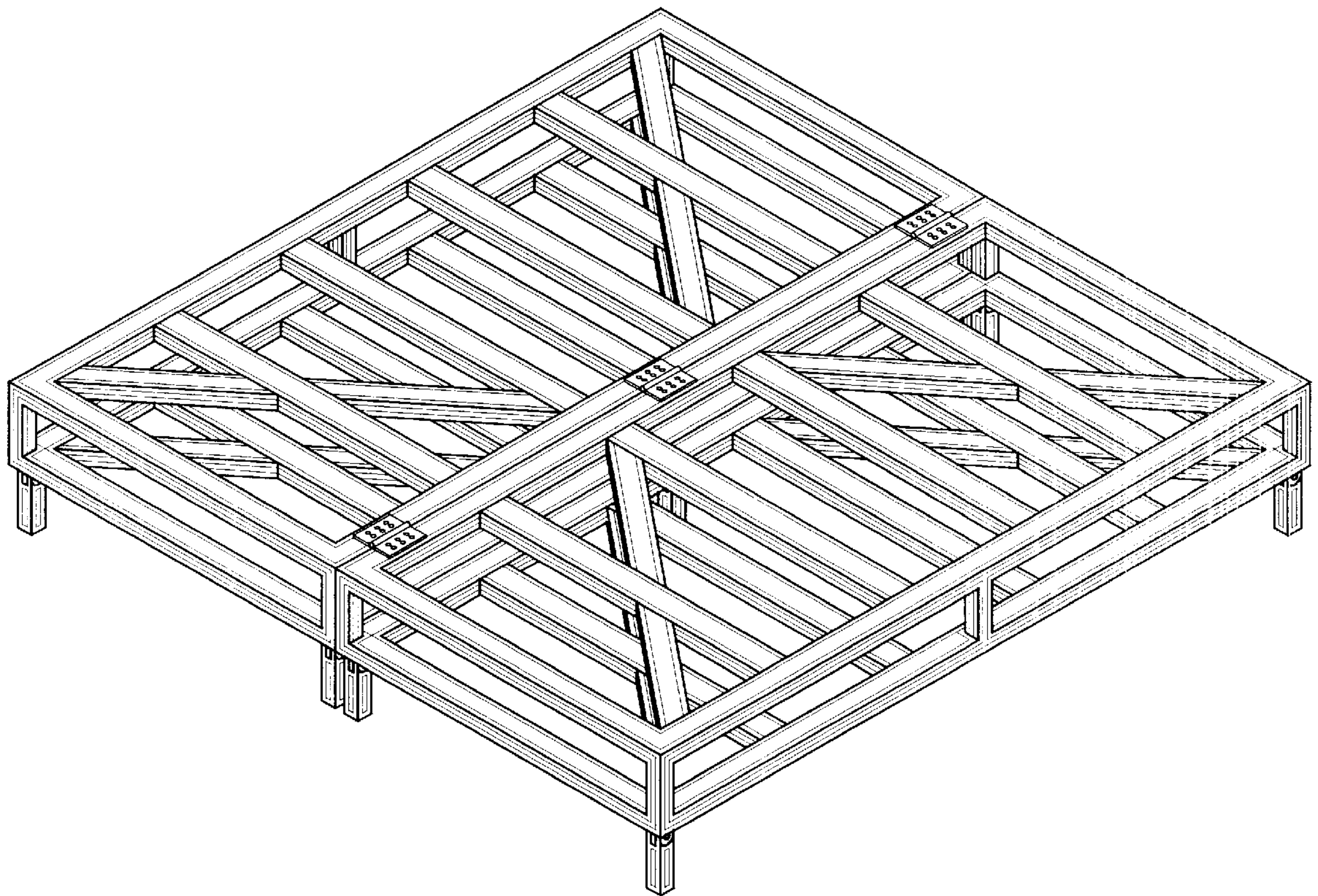
FIG. 4 is a left side elevational view of the folding box spring of FIG. 1;

FIG. 5 is a front elevational view of the folding box springs of FIG. 1;

FIG. 6 is a back elevational view of the folding box spring of FIG. 1; and,

FIG. 7 is a top, front and left side perspective view of the folding box spring of FIG. 1.

1 Claim, 4 Drawing Sheets



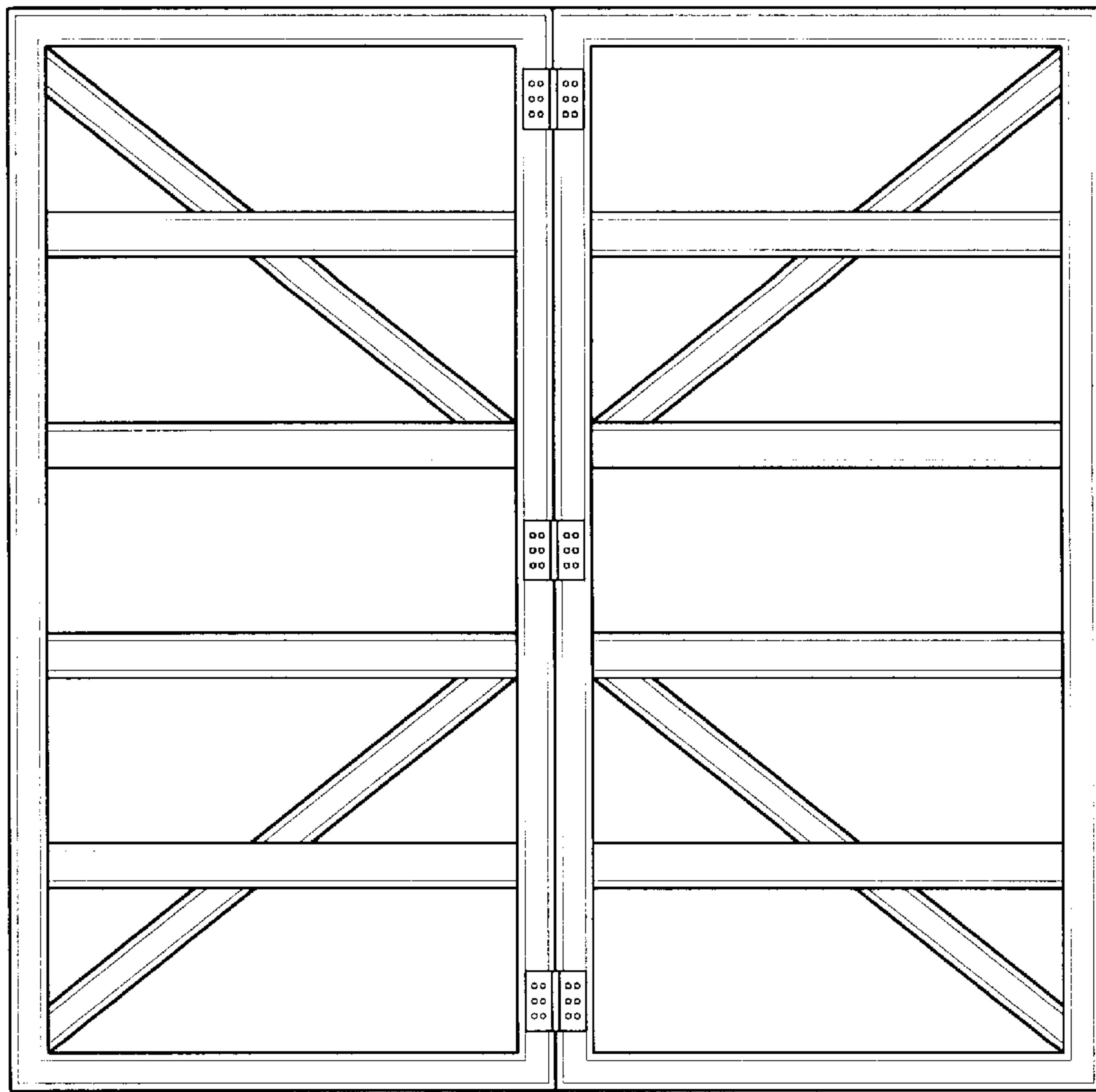


Fig. 1

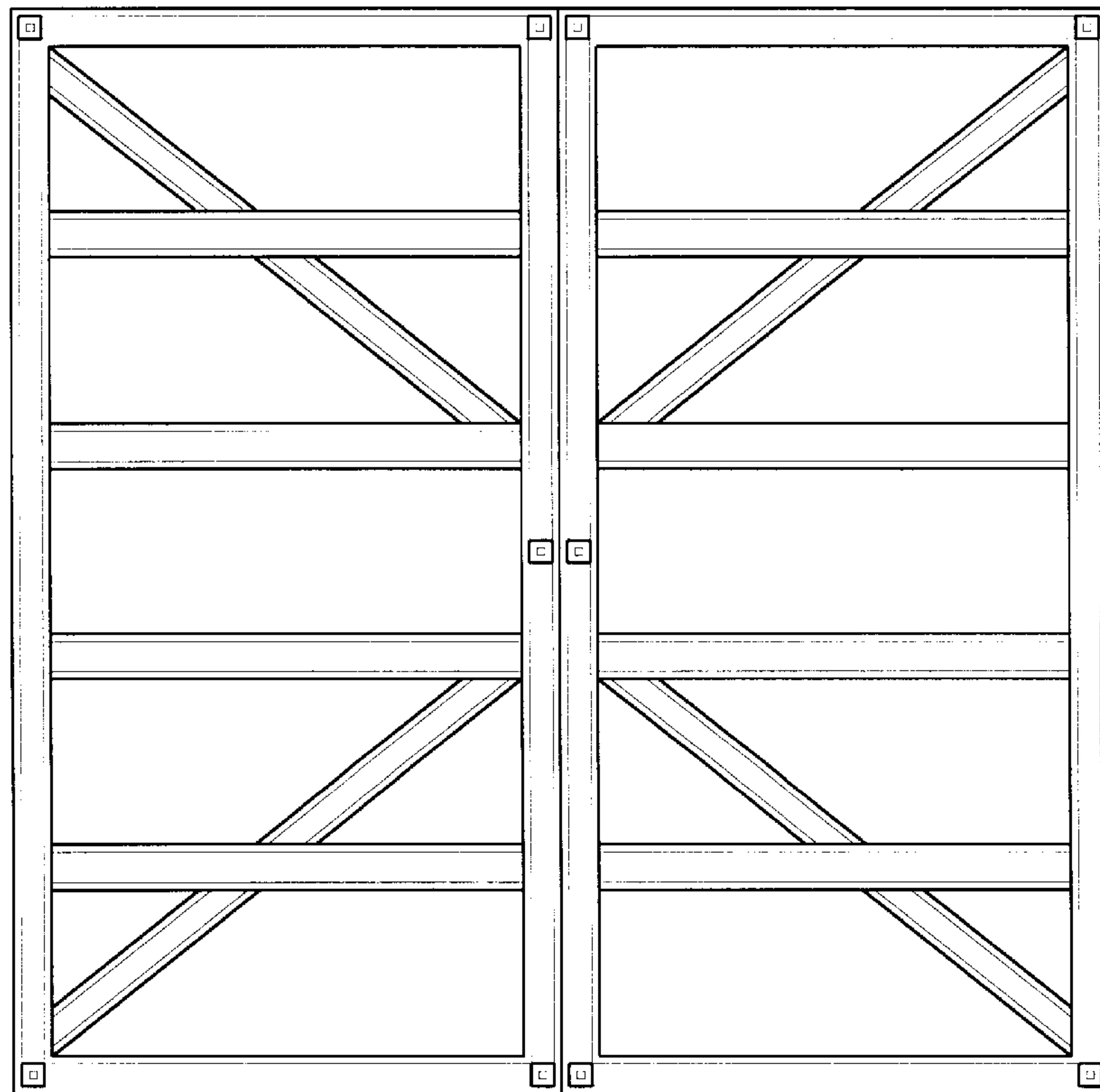


Fig. 2

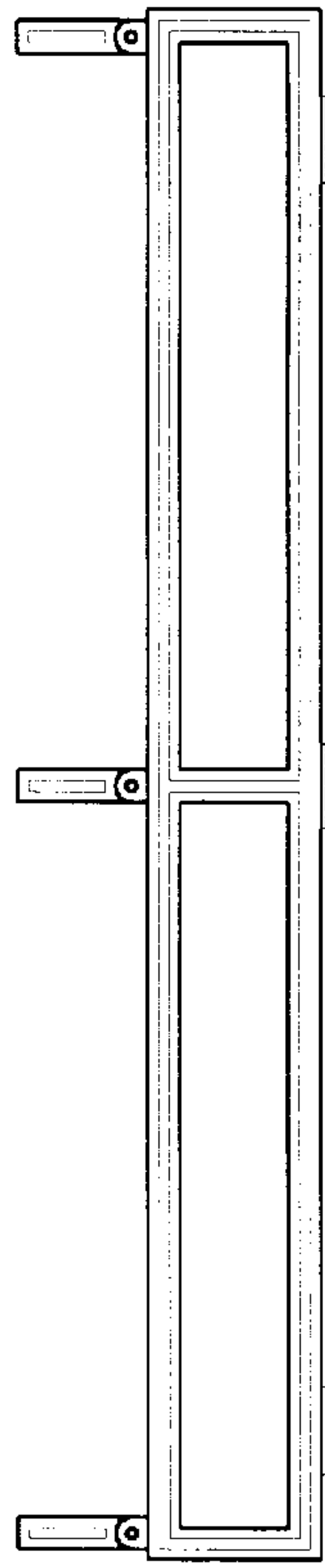


Fig. 3

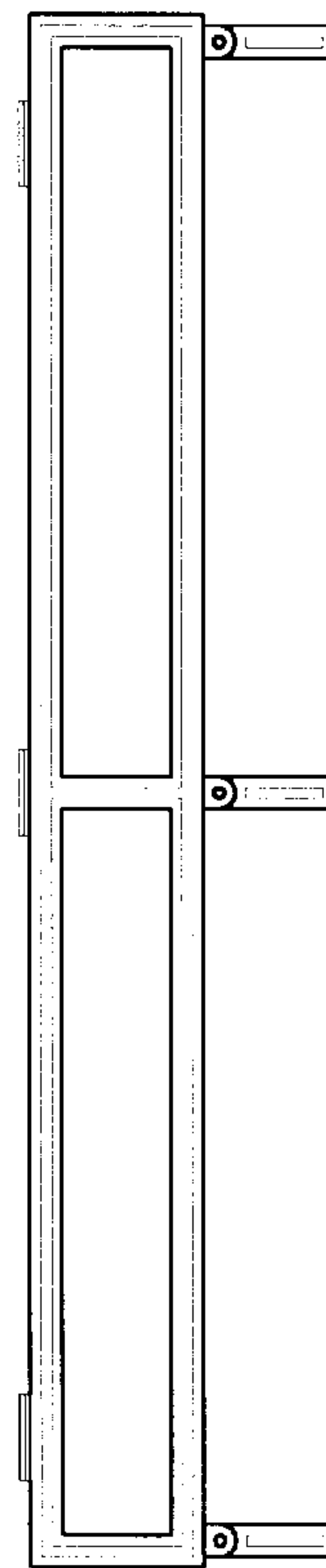


Fig. 4

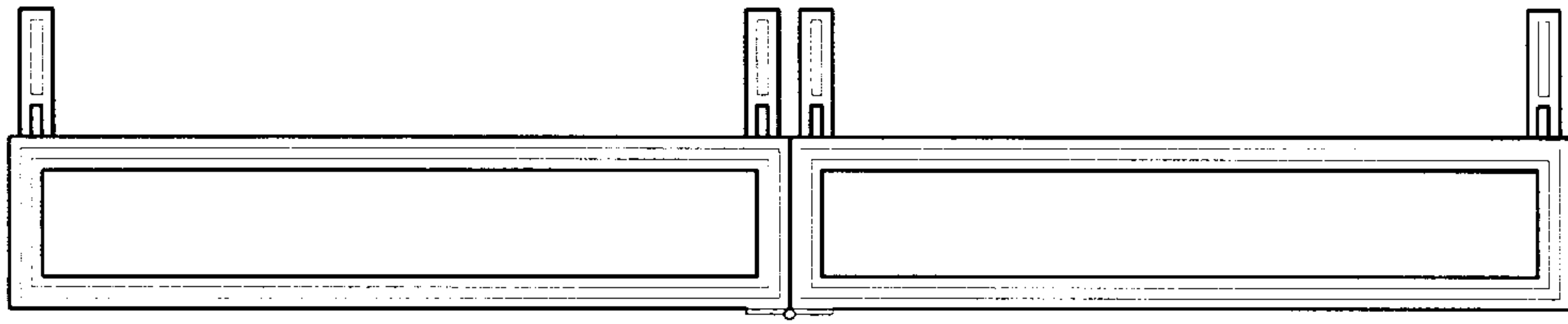


Fig. 5

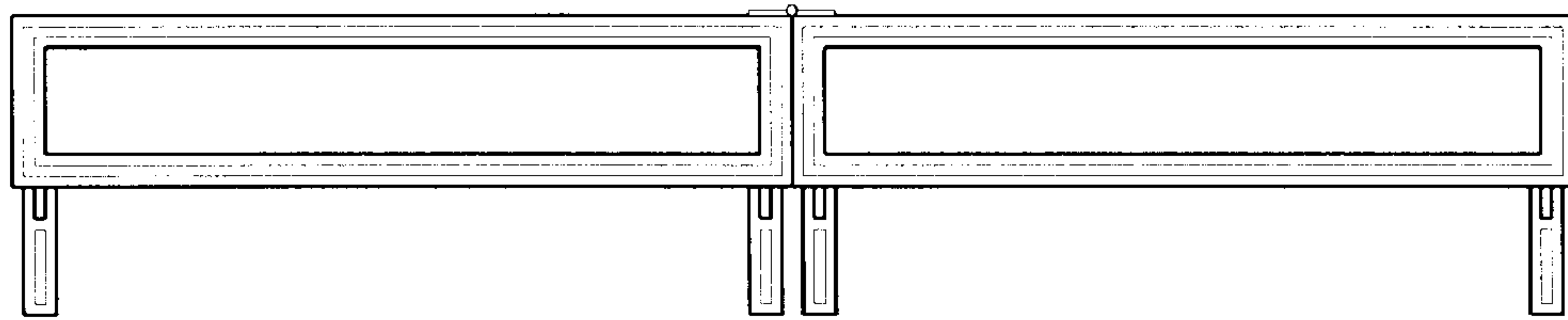


Fig. 6

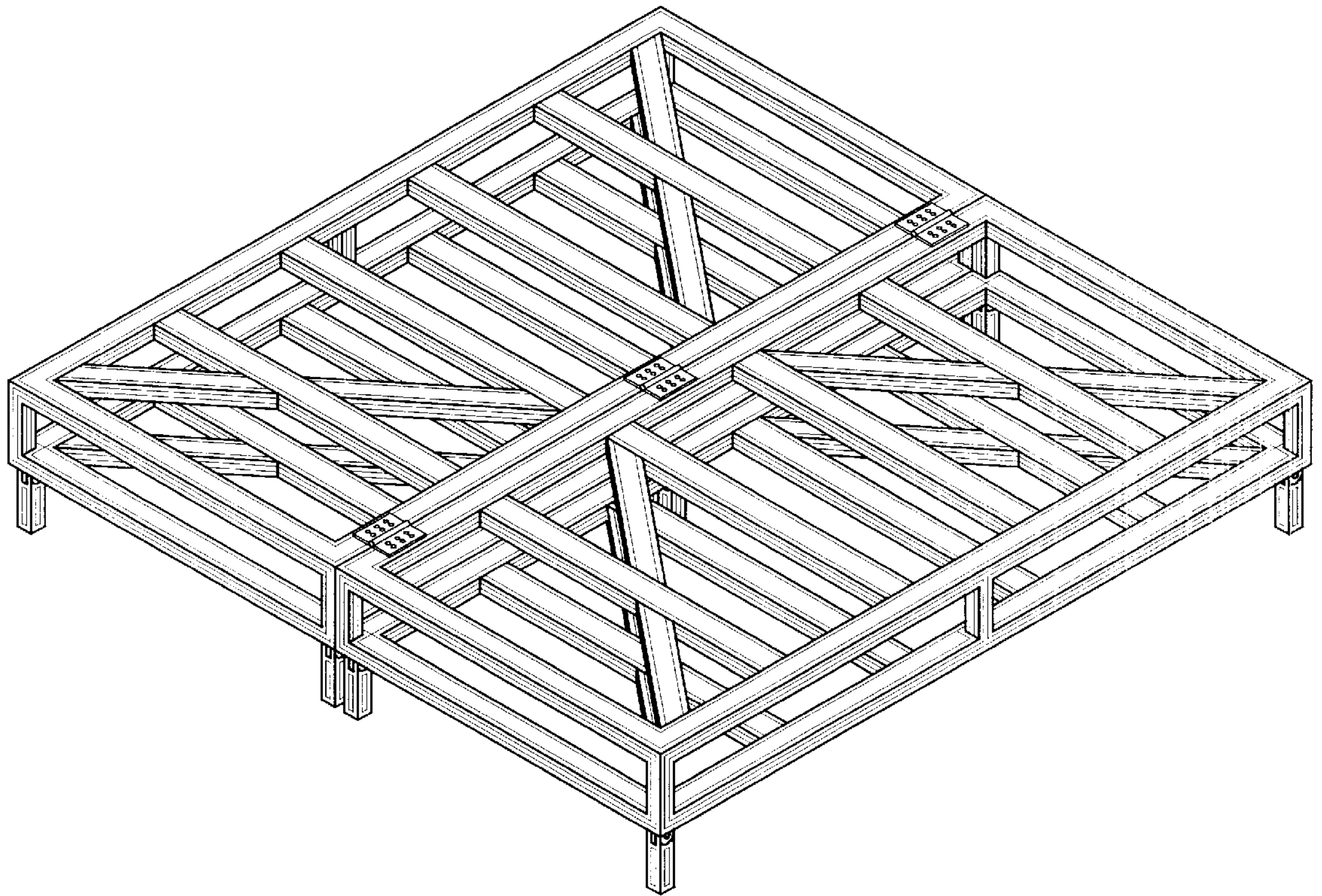


Fig. 7