



US00D411050S

United States Patent [19]

Keller et al.

[11] Patent Number: Des. 411,050

[45] Date of Patent: ** Jun. 15, 1999

[54] MIRROR

[76] Inventors: **H. Thomas Keller**, 103 Lost Tree La., High Point, N.C. 27265; **Scott M. Risdon**, 4900 Beaverdale Dr., Greensboro, N.C. 27406

[**] Term: 14 Years

[21] Appl. No.: 29/088,363

[22] Filed: May 21, 1998

Related U.S. Application Data

[62] Division of application No. 29/077,902, Oct. 14, 1997.

[51] LOC (6) Cl. 06-07

[52] U.S. Cl. D6/302; D6/300

[58] Field of Search D6/300-314, 444; 248/469, 474; 312/224; 40/700, 735, 745, 765, 780, 790, 791, 798, 799; 359/838

[56] References Cited

U.S. PATENT DOCUMENTS

- D. 84,426 6/1931 Marchand D6/302 X
- D. 227,838 7/1973 Adkinson D6/444
- D. 387,568 12/1997 Walters, III et al. D6/312

OTHER PUBLICATIONS

The Mirror Book by H. Schiffer, c1983, #583 at top right. Photocopies of photographs of furniture sold by Vaughan Furniture Company, Inc.; Style #1450-21B and #1450-22B; Oct., 1997.

Photocopies of photographs of furniture sold by Vaughan Furniture Company, Inc.; Style #600-04B and #600-04M; Oct., 1996.

Photocopies of photographs of furniture sold by Vaughan Furniture Company, Inc.; Style #600-19; Oct., 1996.

Photocopies of photographs of furniture sold by Vaughan Furniture Company, Inc.; No Vaughan Style Reference available; Apr. 1992.

Primary Examiner—Janice E. Seeger
Attorney, Agent, or Firm—Rhodes, Coats & Bennett, LLP.

[57] CLAIM

The ornamental design for a mirror, as shown and described.

DESCRIPTION

FIG. 1 is a front left perspective view of a mirror of our new design;

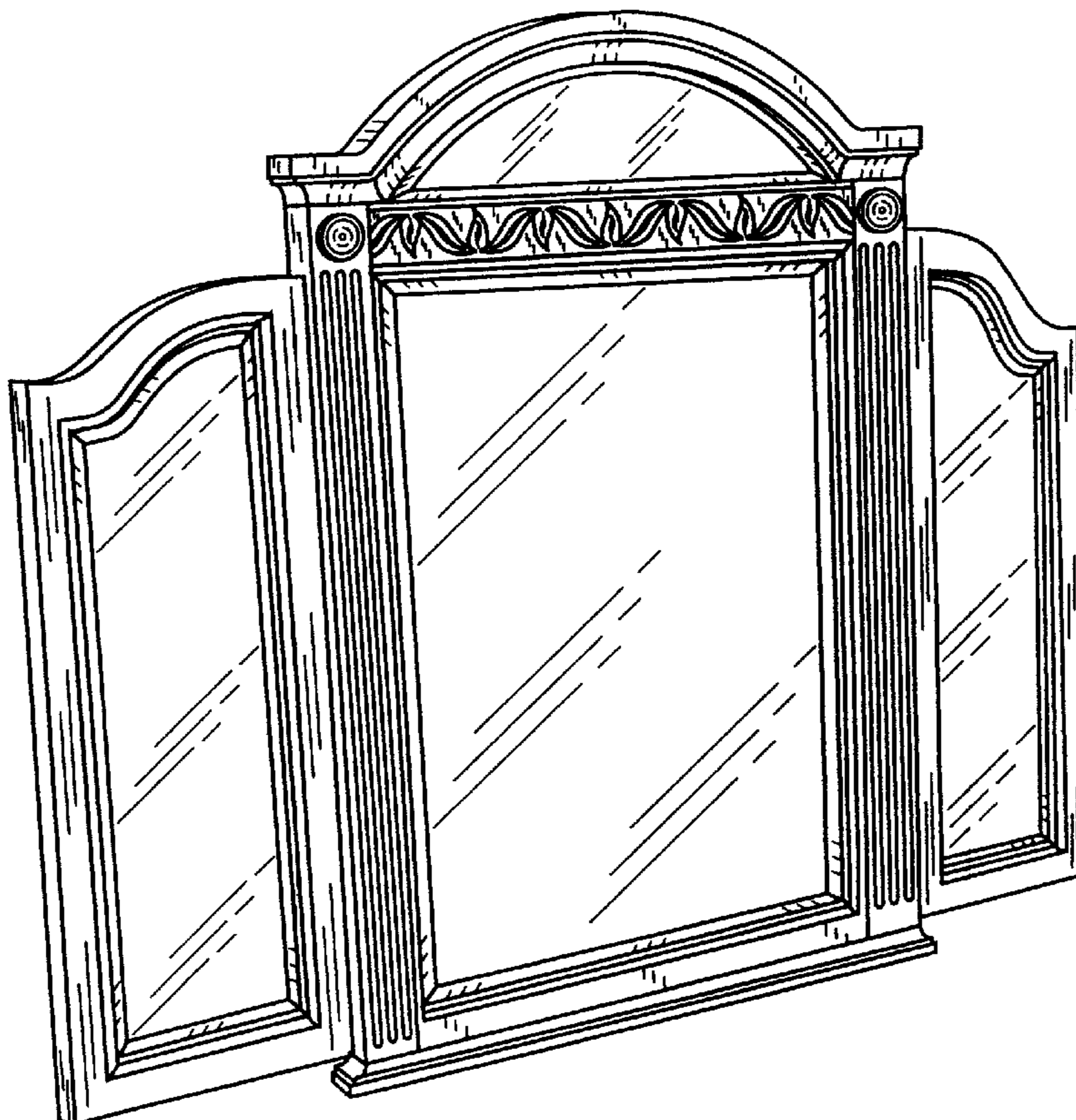
FIG. 2 is a front elevation view thereof, the rear being plain and unadorned;

FIG. 3 is a side view thereof, the opposite side being a mirror image of the side shown;

FIG. 4 is an enlarged partial view of the upper left hand and central portion of the mirror of our design; and,

FIG. 5 is an enlarged partial view of the lower left hand and central portion of the mirror of our design.

1 Claim, 2 Drawing Sheets



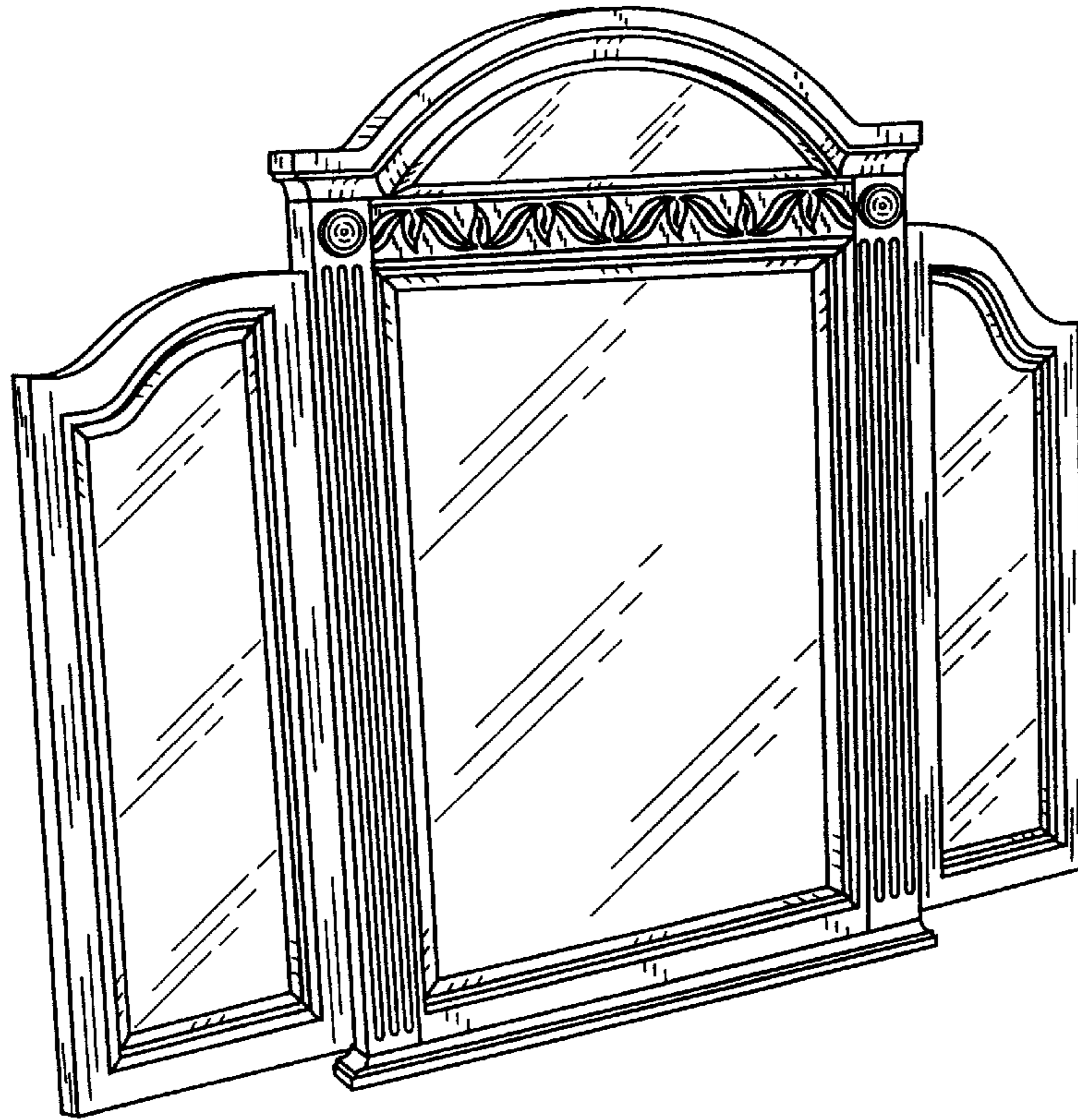


FIG. 1

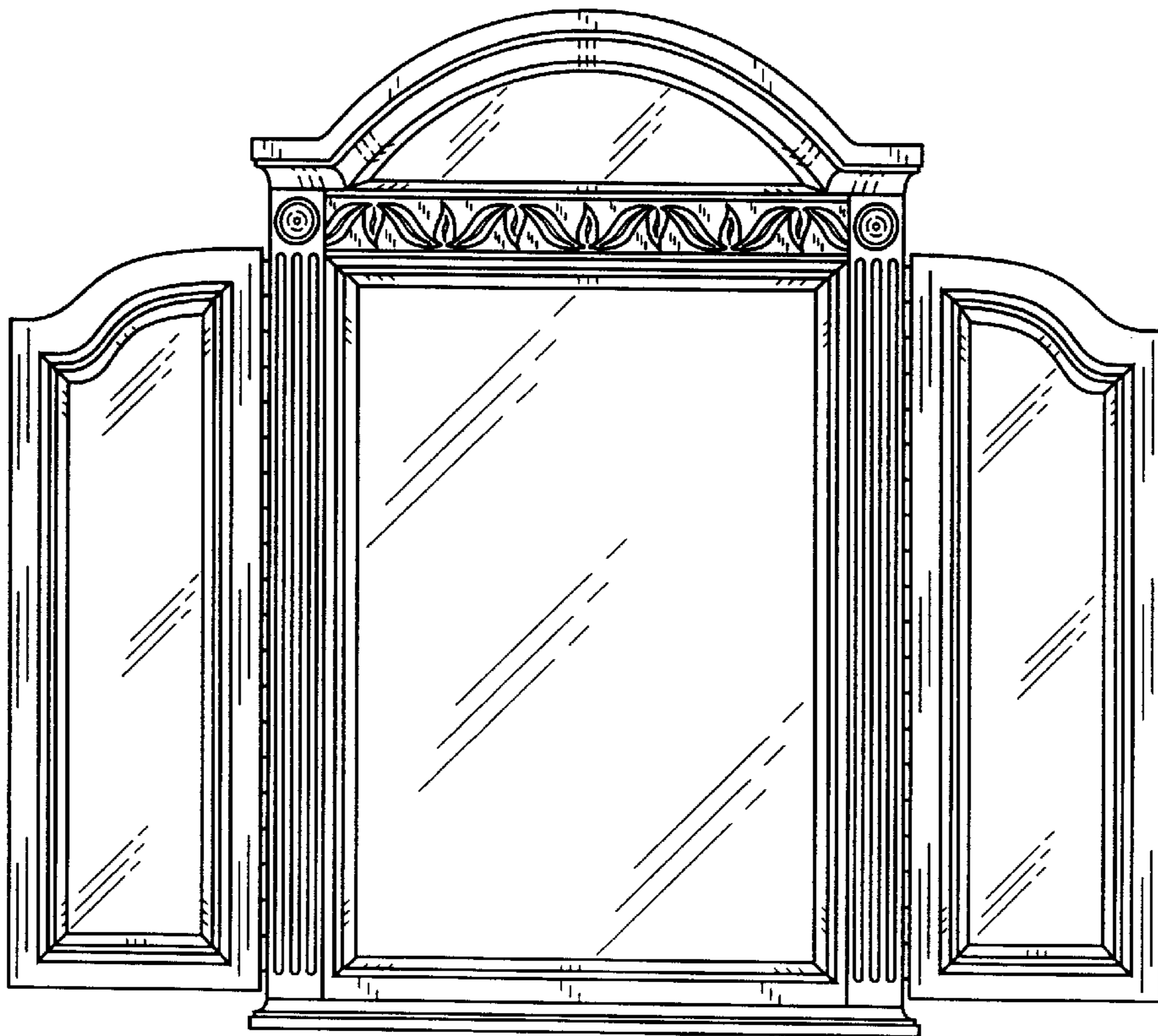


FIG. 2



FIG. 3

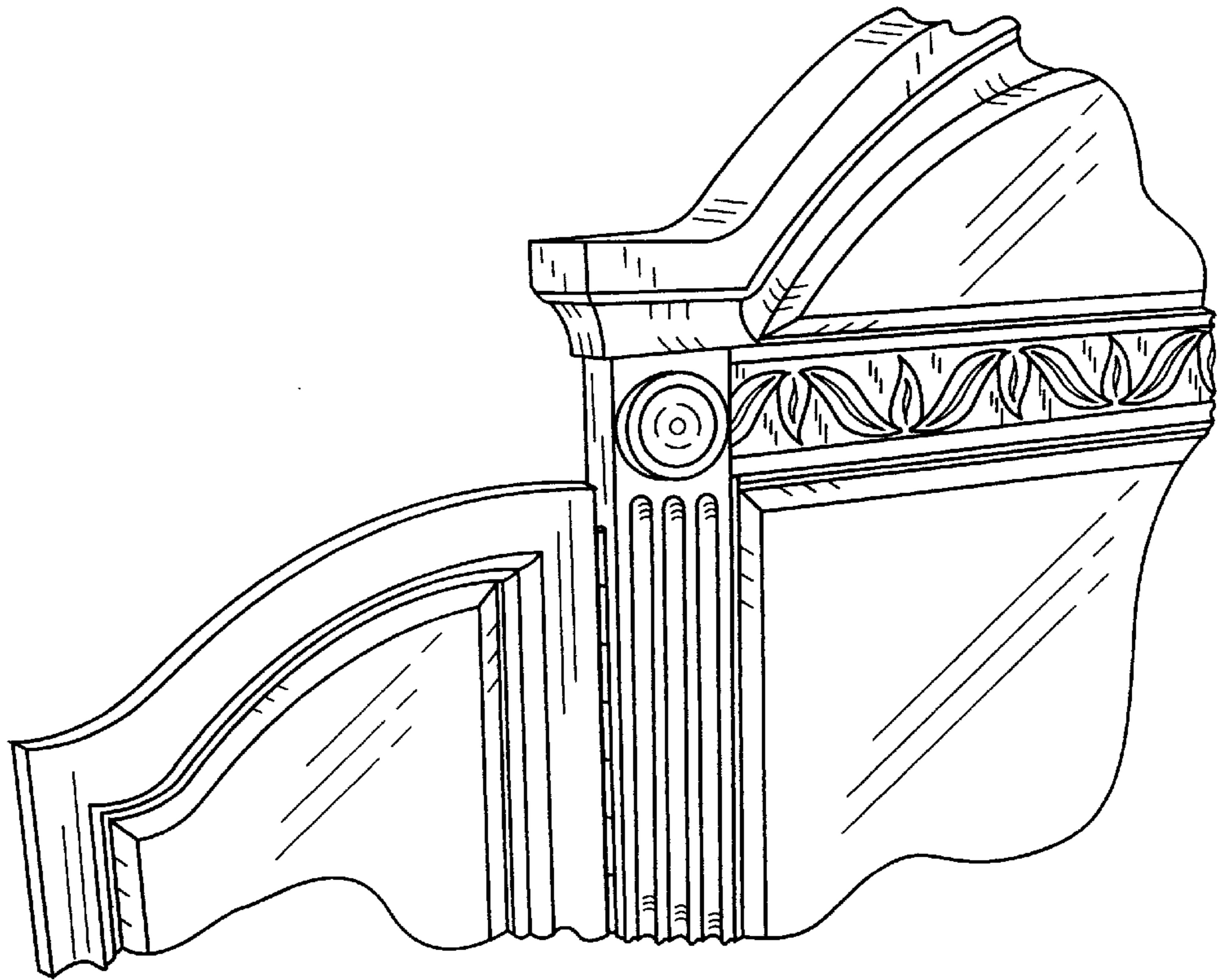


FIG. 4

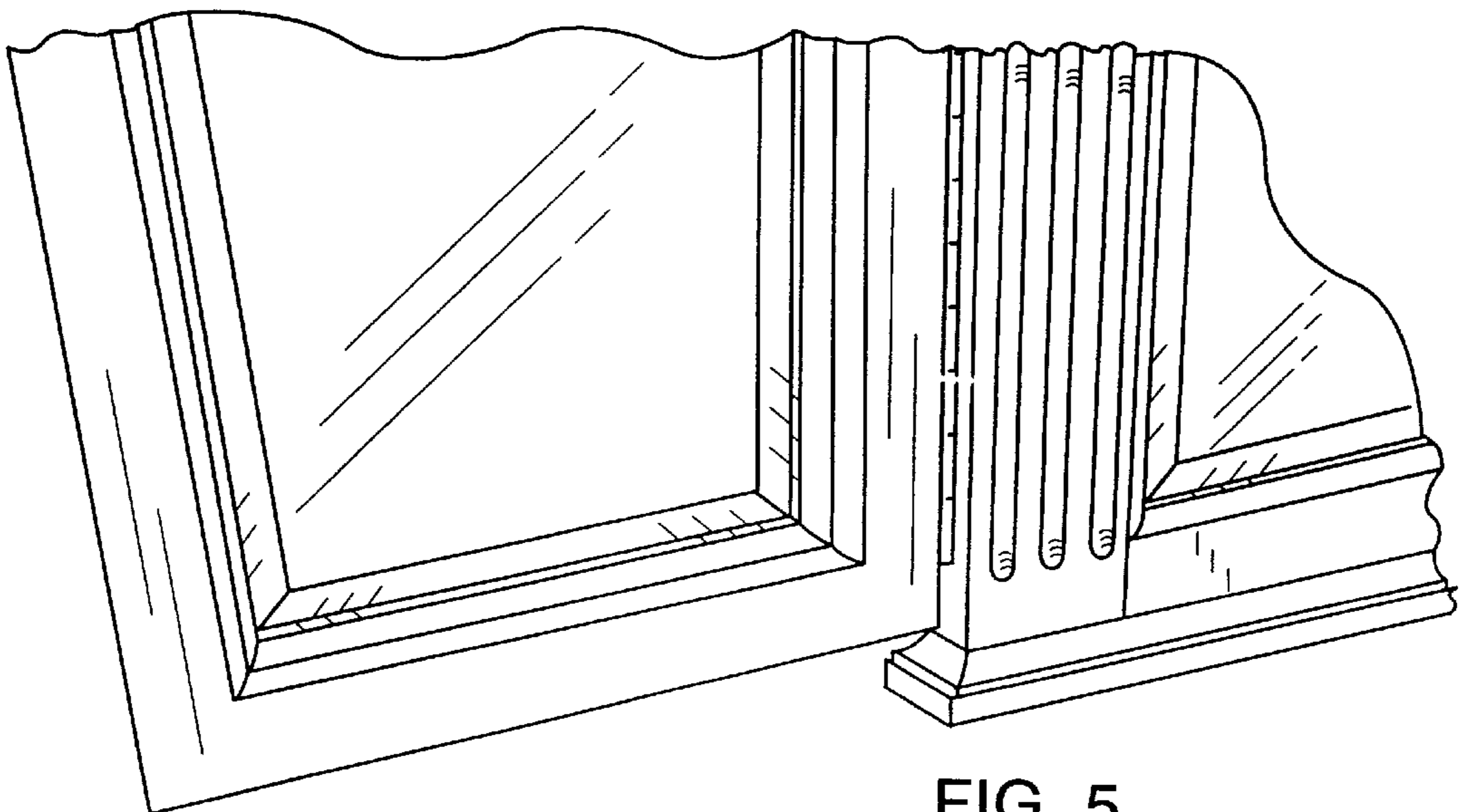


FIG. 5