



US00D411045S

# United States Patent [19] Morandi

[11] **Patent Number: Des. 411,045**  
[45] **Date of Patent: \*\* Jun. 15, 1999**

[54] **RACK WITH REMOVABLE BASKETS**

D. 303,444 9/1989 Yoshikawa ..... D34/21  
D. 341,459 11/1993 Yang ..... D34/21

[75] Inventor: **Sergio Morandi**, Vacallo, Switzerland

[73] Assignee: **Metaltex S.A.**, Genestrerio, Switzerland

*Primary Examiner*—Kay H. Chin  
*Attorney, Agent, or Firm*—Steinberg & Raskin, P.C.

[\*\*] Term: **14 Years**

[57] **CLAIM**

[21] Appl. No.: **29/089,109**

The ornamental design for a rack with removable baskets, as shown.

[22] Filed: **Jun. 8, 1998**

**DESCRIPTION**

[30] **Foreign Application Priority Data**

Dec. 23, 1997 [XH] Hague Agreement ..... DM/042548

FIG. 1 is a perspective view of a rack with removable baskets showing my new design;  
FIG. 2 is a front view thereof;  
FIG. 3 is a left side view thereof;  
FIG. 4 is a right side view thereof;  
FIG. 5 is a rear view thereof;  
FIG. 6 is a top view thereof; and,  
FIG. 7 is a bottom view thereof.

[51] **LOC (6) Cl.** ..... **12-02**

[52] **U.S. Cl.** ..... **D34/21; D6/465**

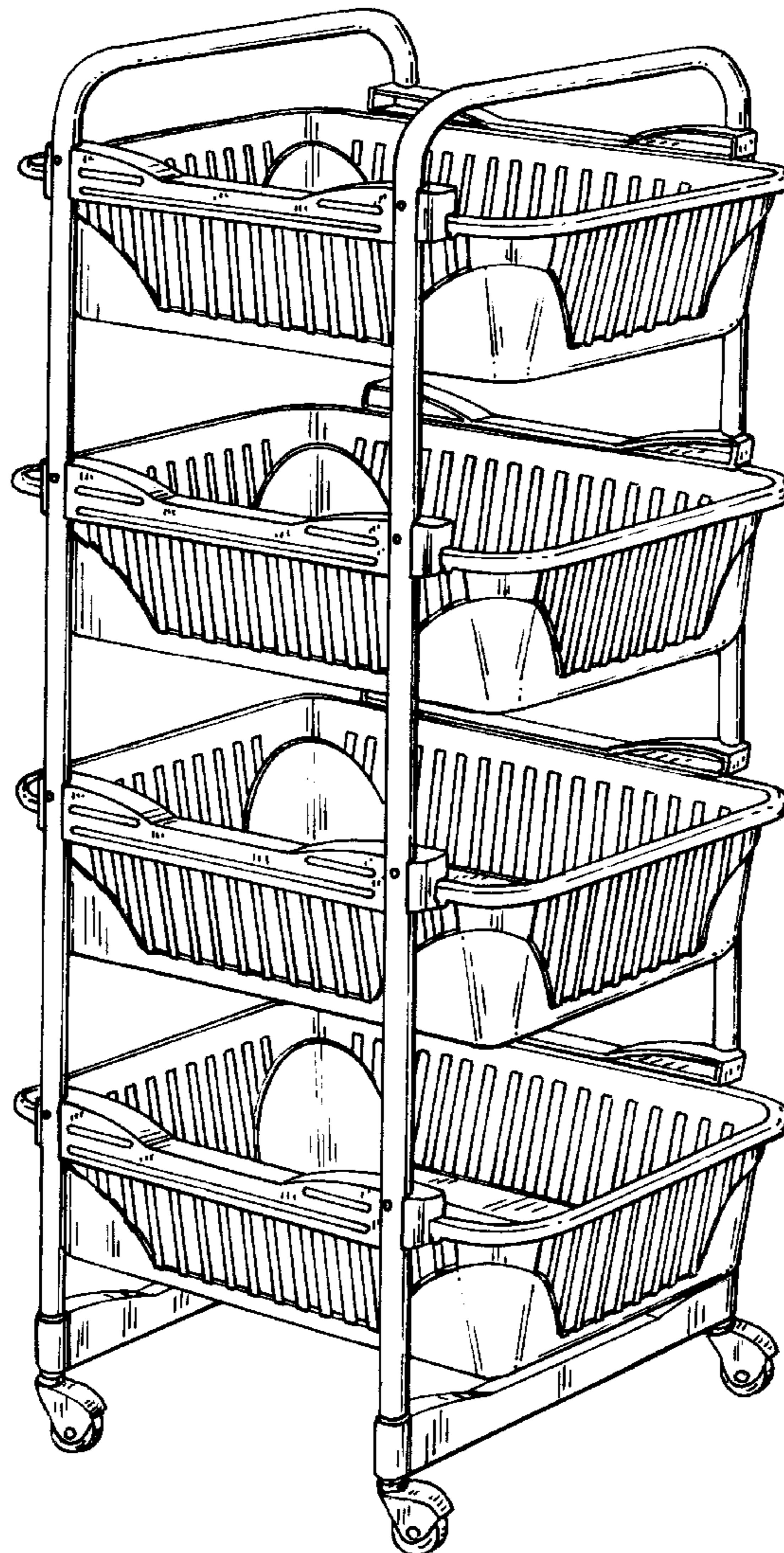
[58] **Field of Search** ..... D34/12-27; D6/465;  
280/79.2, 79.3, 79.11, 47.19; 211/133, 126,  
150

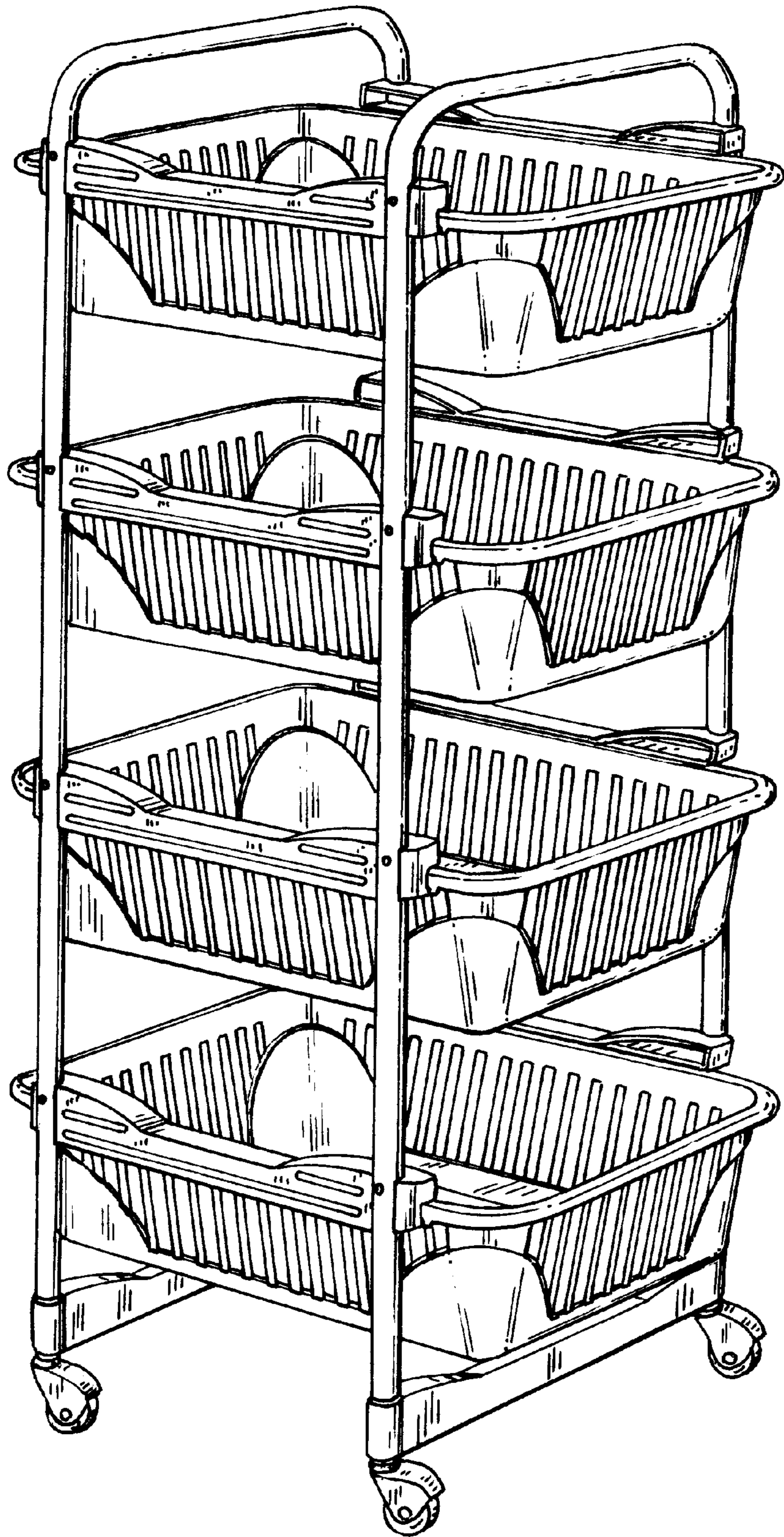
[56] **References Cited**

**U.S. PATENT DOCUMENTS**

D. 194,382 1/1963 Wurman ..... D34/21

**1 Claim, 6 Drawing Sheets**





*Fig. 1*

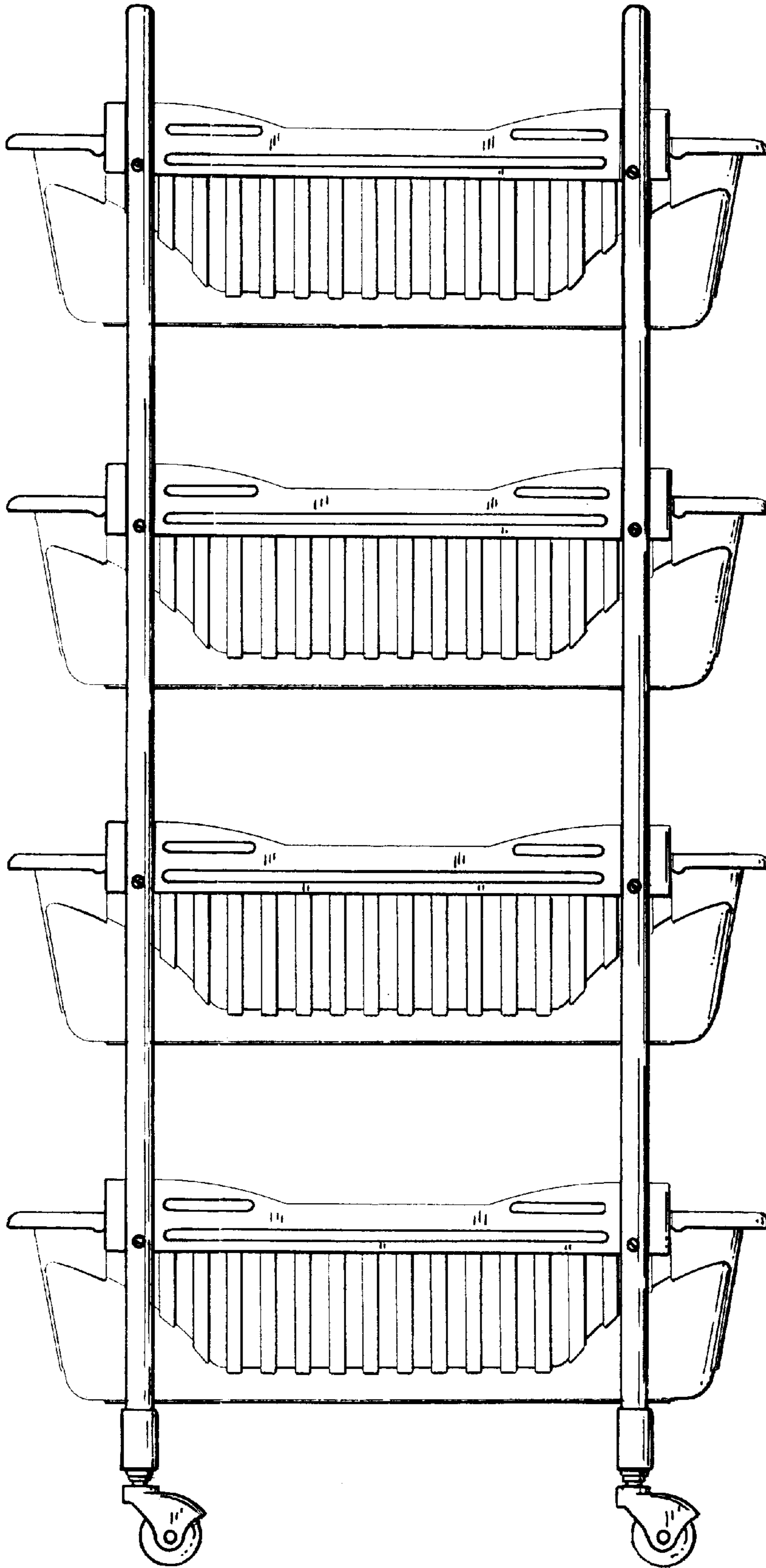
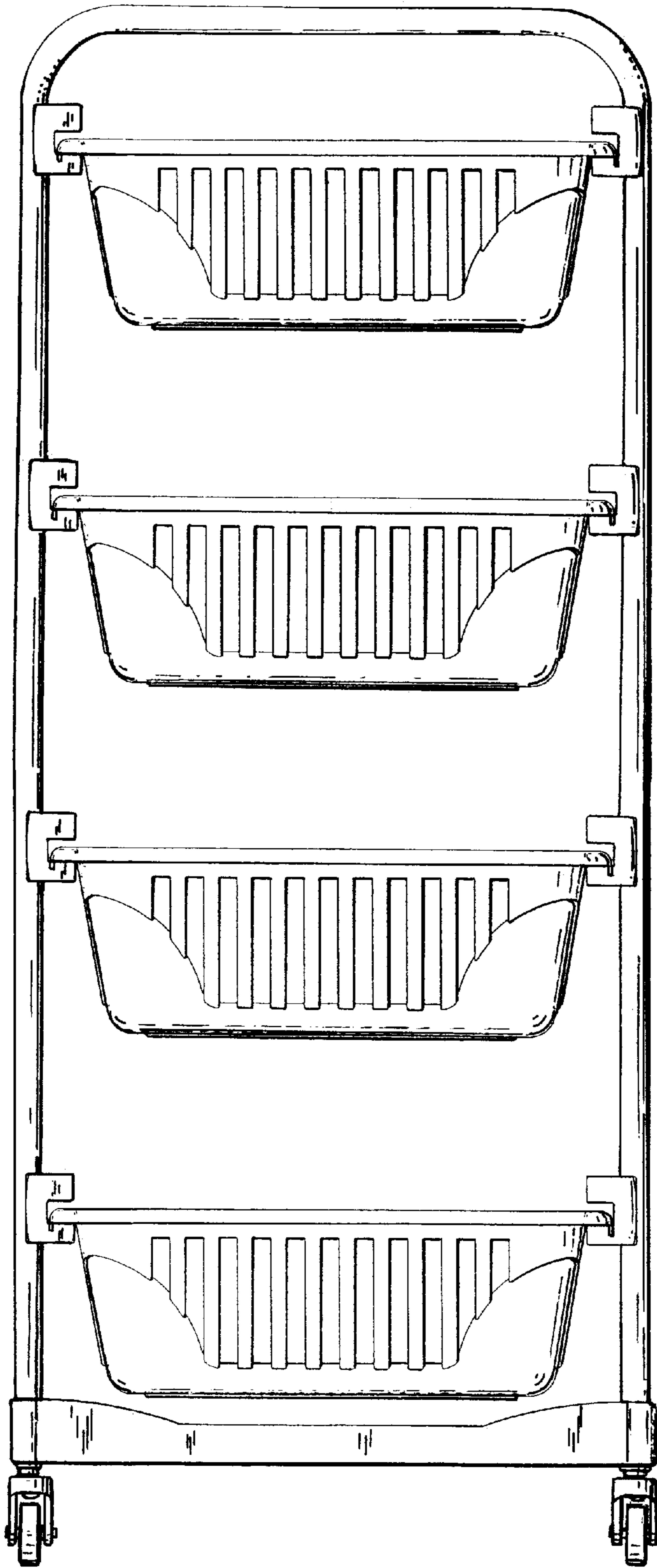


Fig. 2



*Fig. 3*

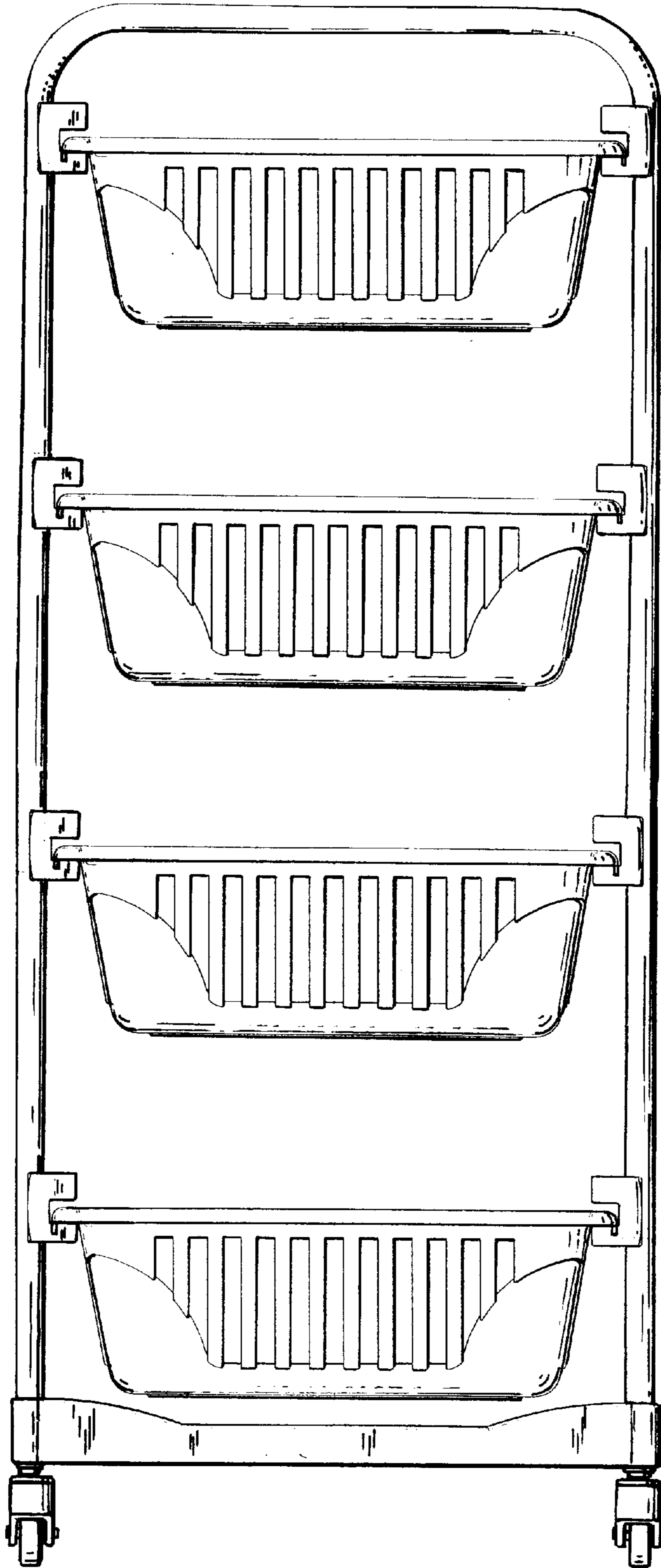
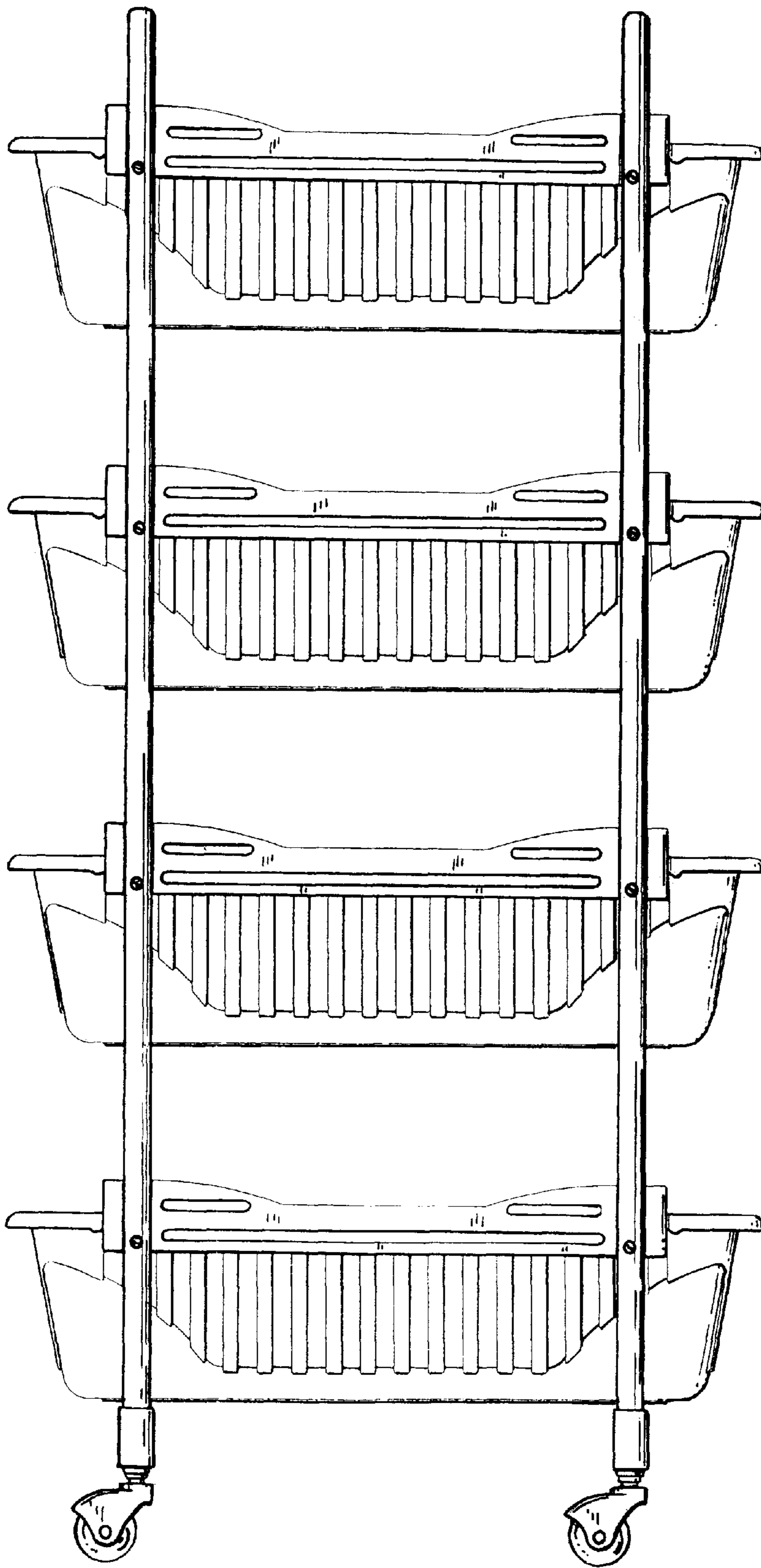
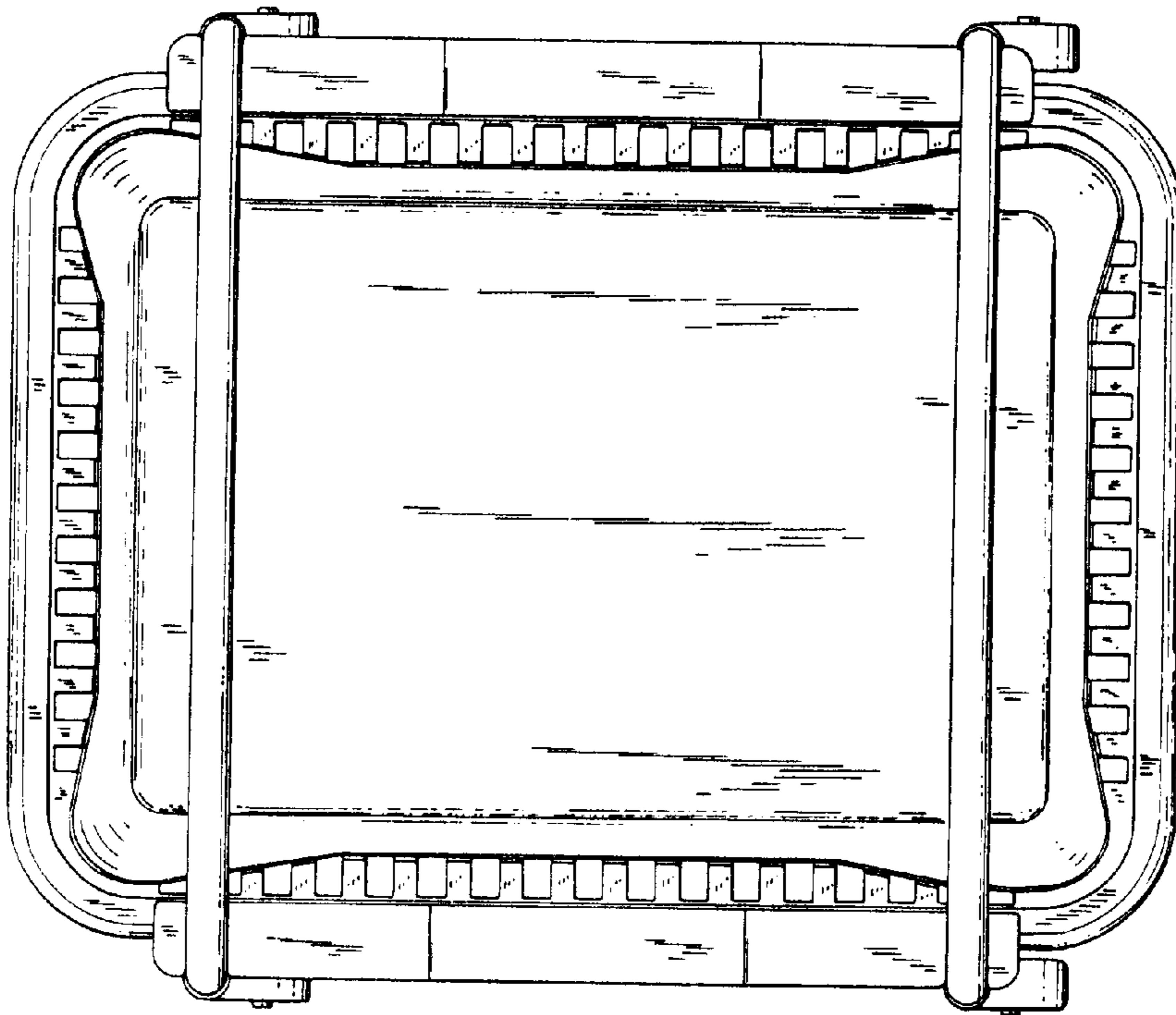


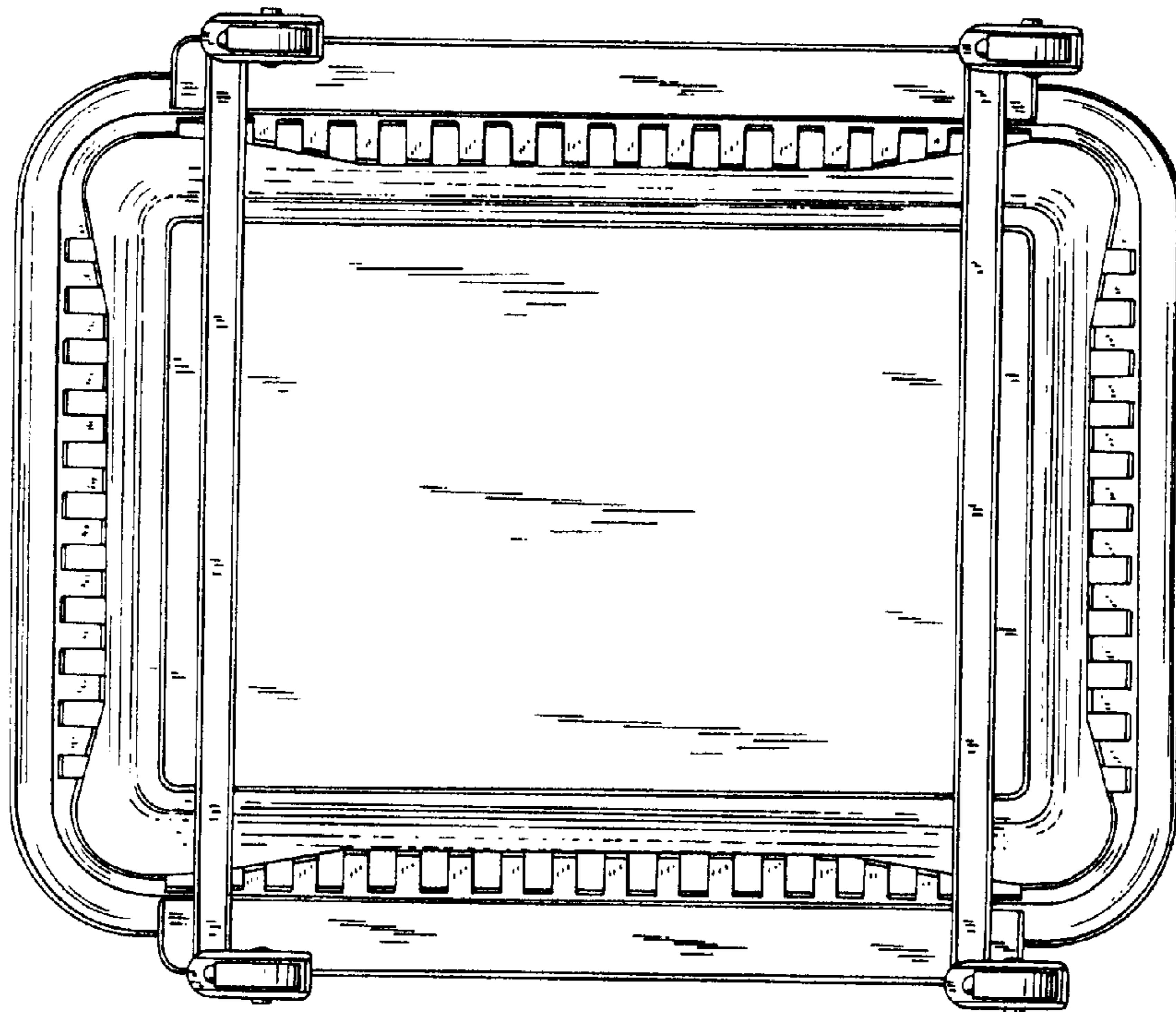
Fig. 4



*Fig. 5*



*Fig. 6*



*Fig. 7*