



US00D411044S

United States Patent [19]

Maddux et al.

[11] Patent Number: **Des. 411,044**

[45] Date of Patent: **** Jun. 15, 1999**

[54] **FOOD DISPENSING AND STORAGE CART**

[75] Inventors: **Larry D. Maddux**, Westminster; **John W. Goodin**, Coto de Caza, both of Calif.

[73] Assignee: **Cambro Manufacturing Company**, Huntington Beach, Calif.

[**] Term: **14 Years**

[21] Appl. No.: **29/091,005**

[22] Filed: **Jul. 21, 1998**

[51] **LOC (6) Cl.** **12-02**

[52] **U.S. Cl.** **D34/20; D34/21; D34/14**

[58] **Field of Search** **D34/12-27; D7/601; 312/109, 198, 199, 200, 107, 249.8; 220/529, 669, 672, 682; 206/503, 509**

[56] **References Cited**

U.S. PATENT DOCUMENTS

D. 355,517 2/1995 Campbell et al. D34/20

D. 374,532 10/1996 Pool D34/21
D. 392,158 3/1998 Maddux D7/601
D. 393,128 3/1998 Maddux D34/14
D. 395,108 6/1998 Pool D34/21

Primary Examiner—Kay H. Chin
Attorney, Agent, or Firm—George F. Bethel

[57] **CLAIM**

We claim the ornamental design for a food dispensing and storage cart, as shown and described.

DESCRIPTION

FIG. 1 is a perspective view of the food dispensing and storage cart;

FIG. 2 is a front elevation view.

FIG. 3 is a top plan view.

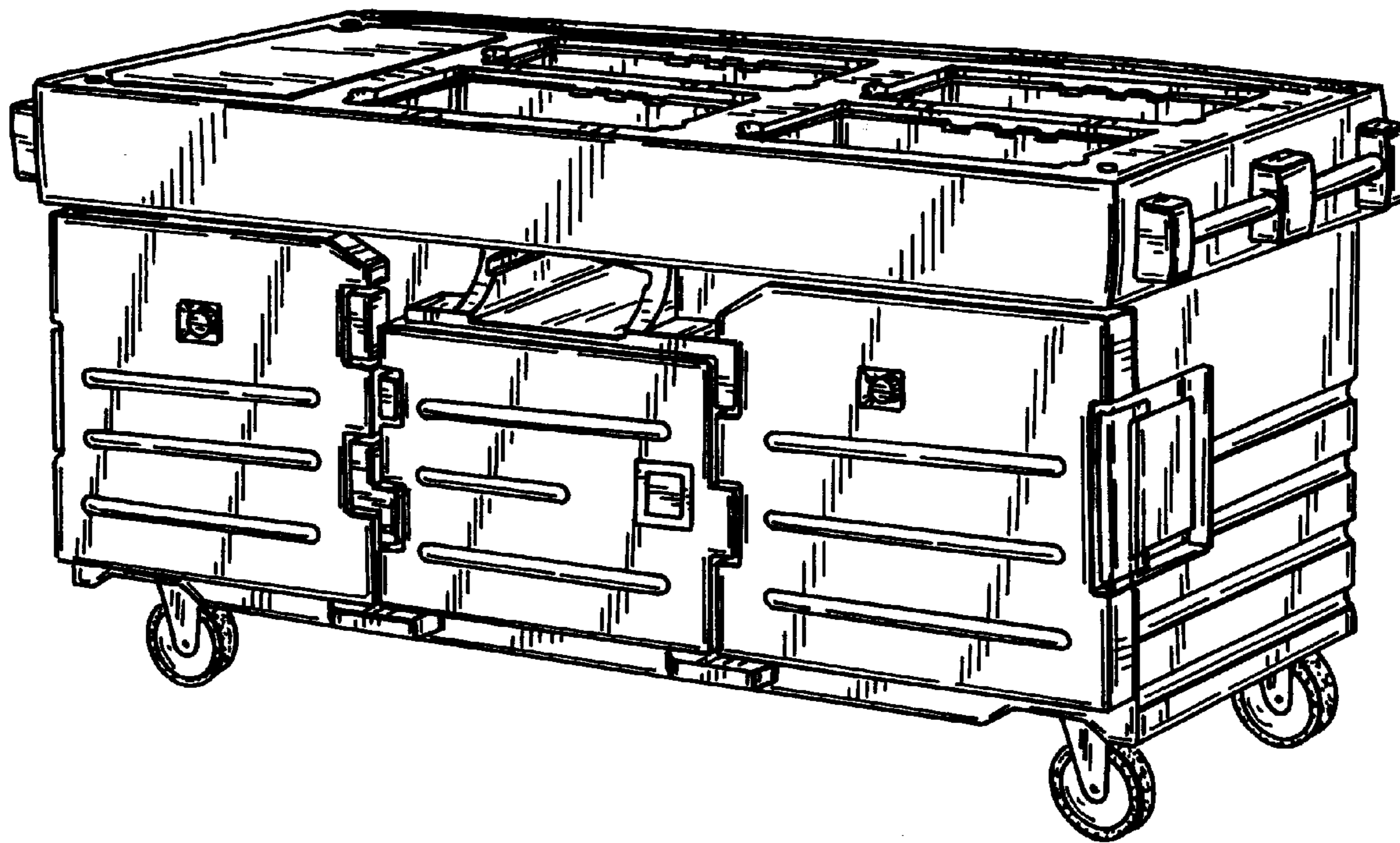
FIG. 4 is an end elevation view looking from the right side of FIG. 1.

FIG. 5 is an end elevation view looking from the left side of FIG. 1.

FIG. 6 is a rear elevation view; and,

FIG. 7 is a bottom plan view.

1 Claim, 3 Drawing Sheets



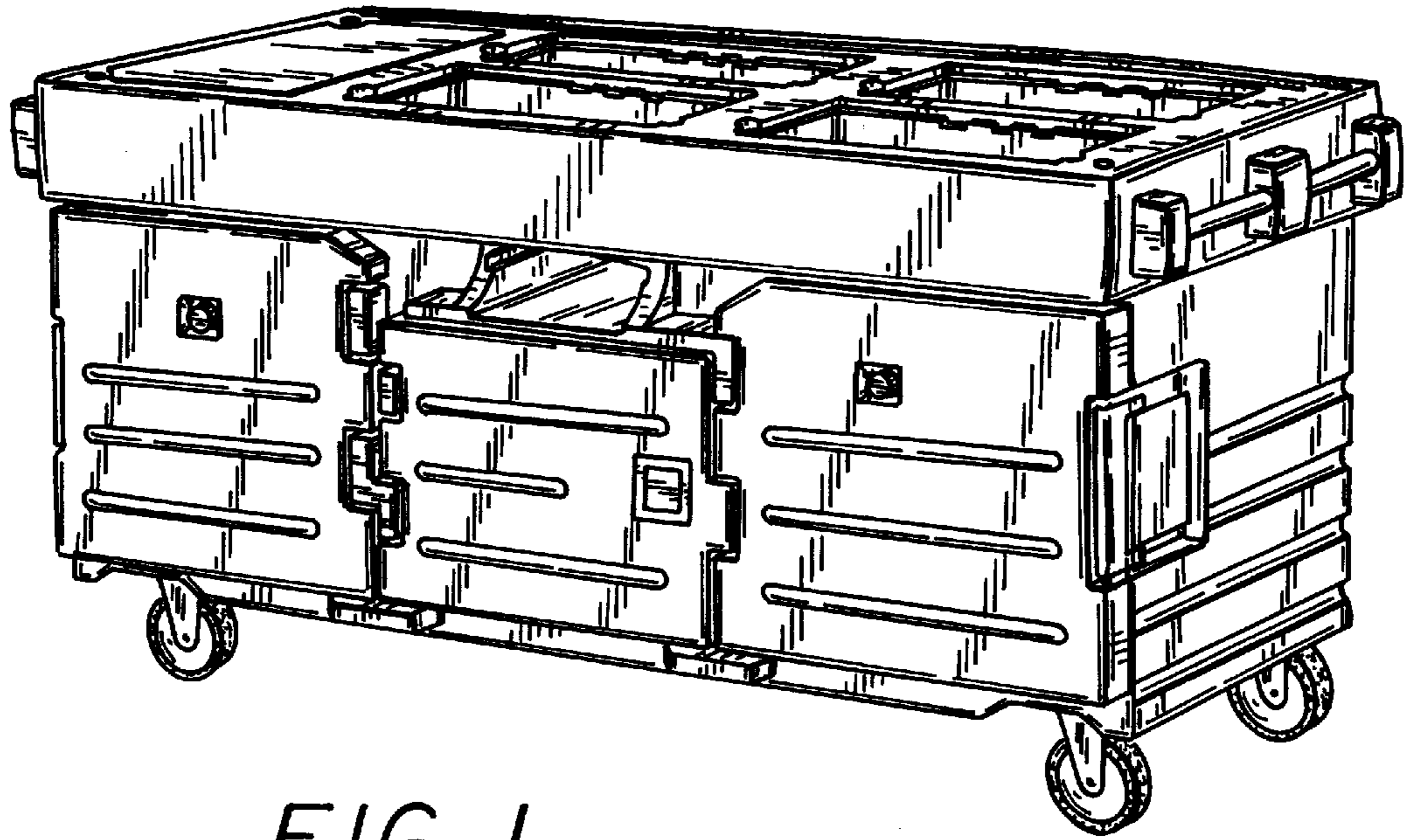
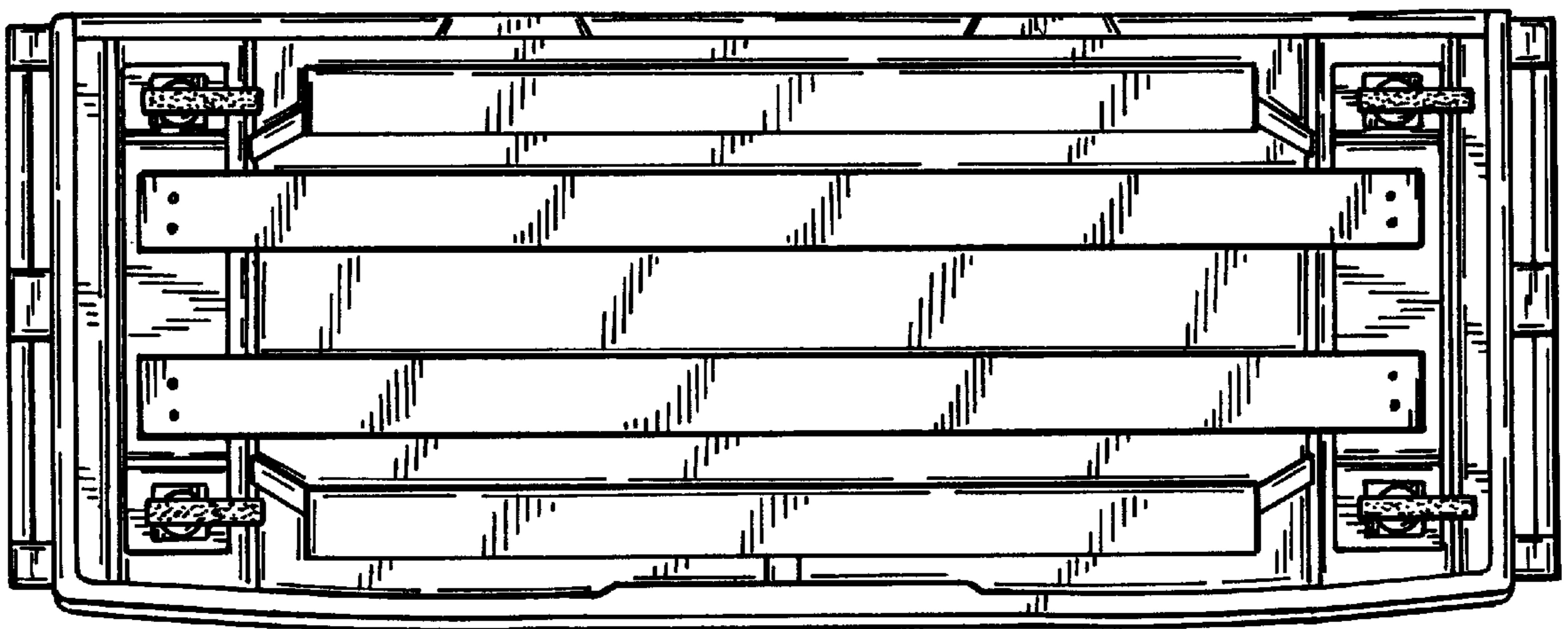


FIG. 1

FIG. 7



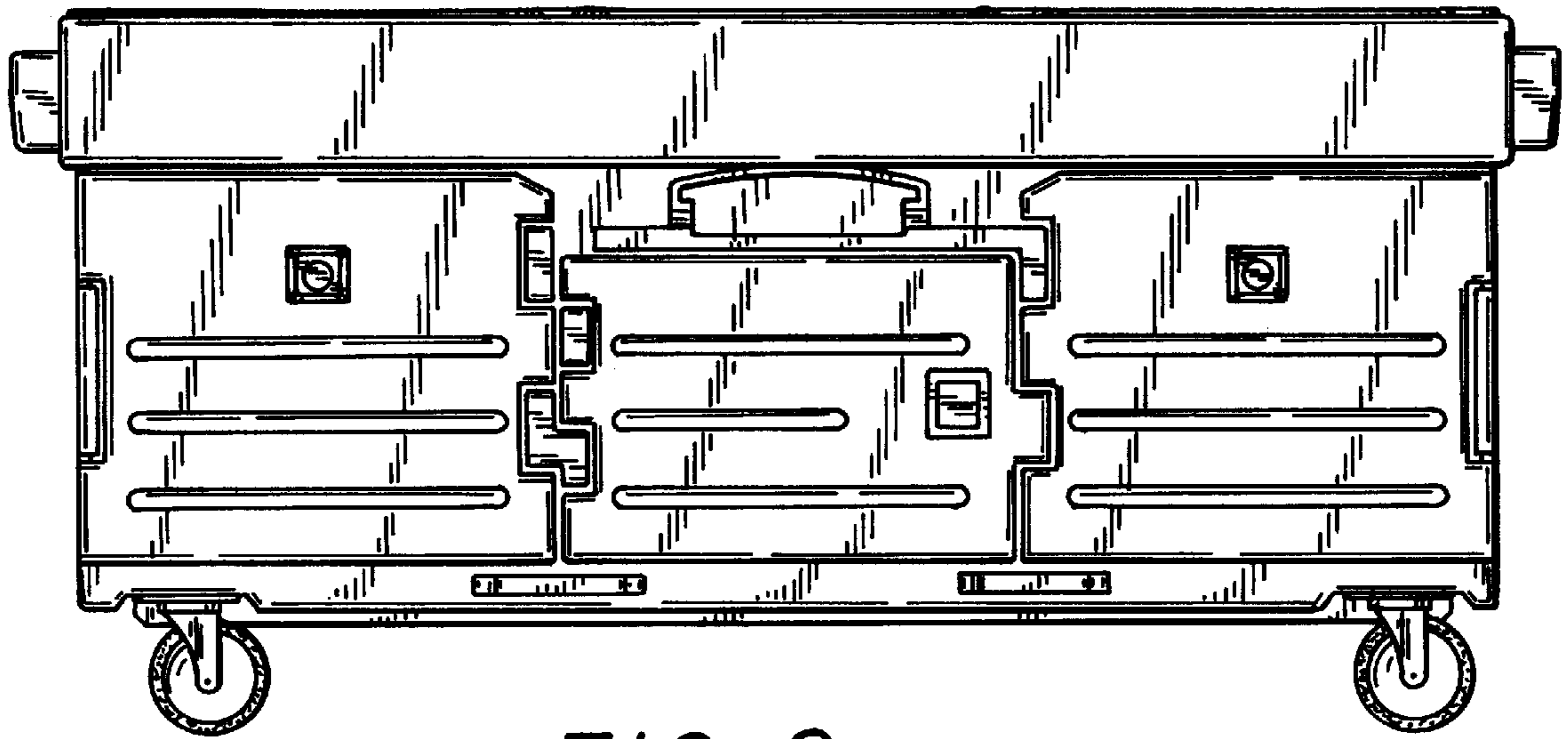


FIG. 2

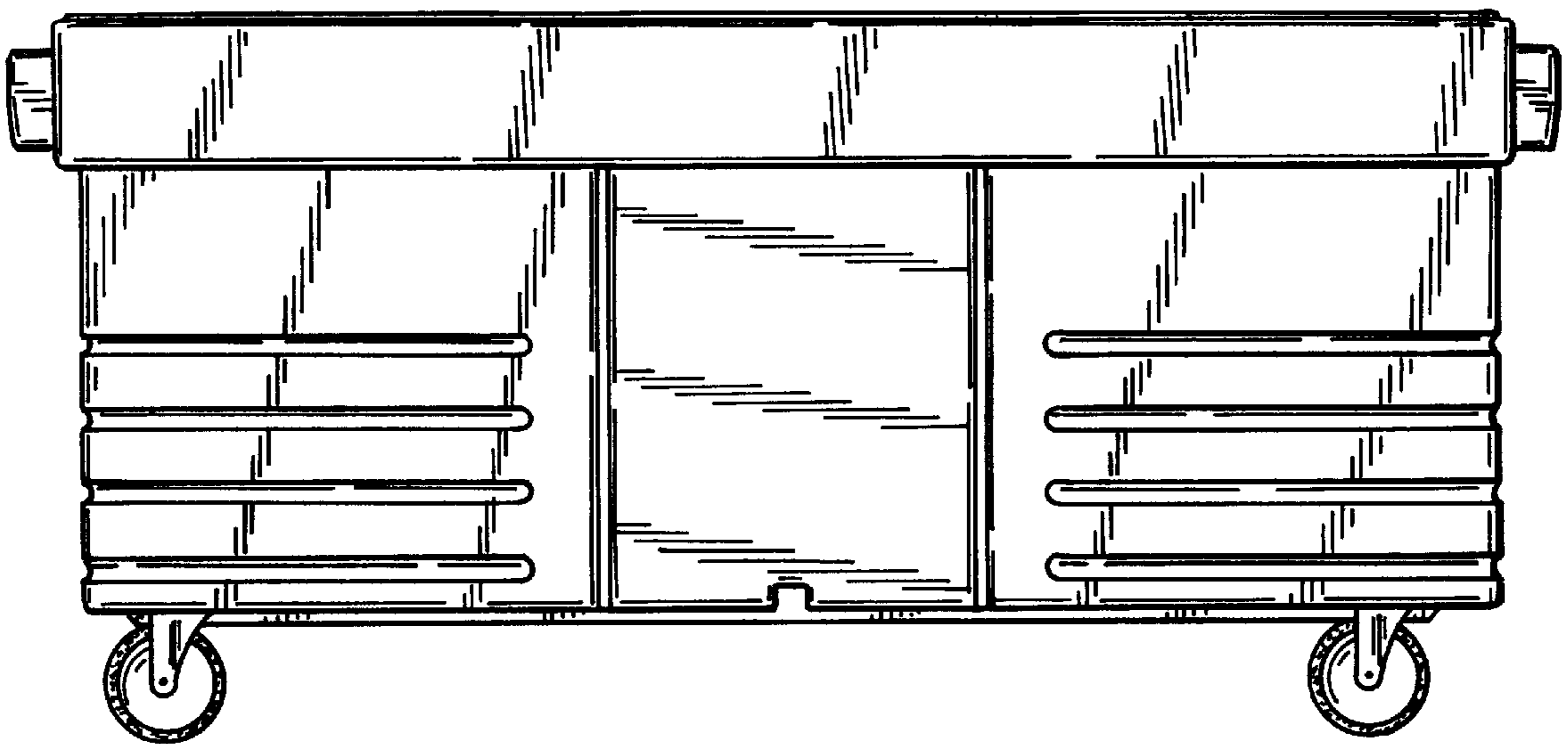


FIG. 6

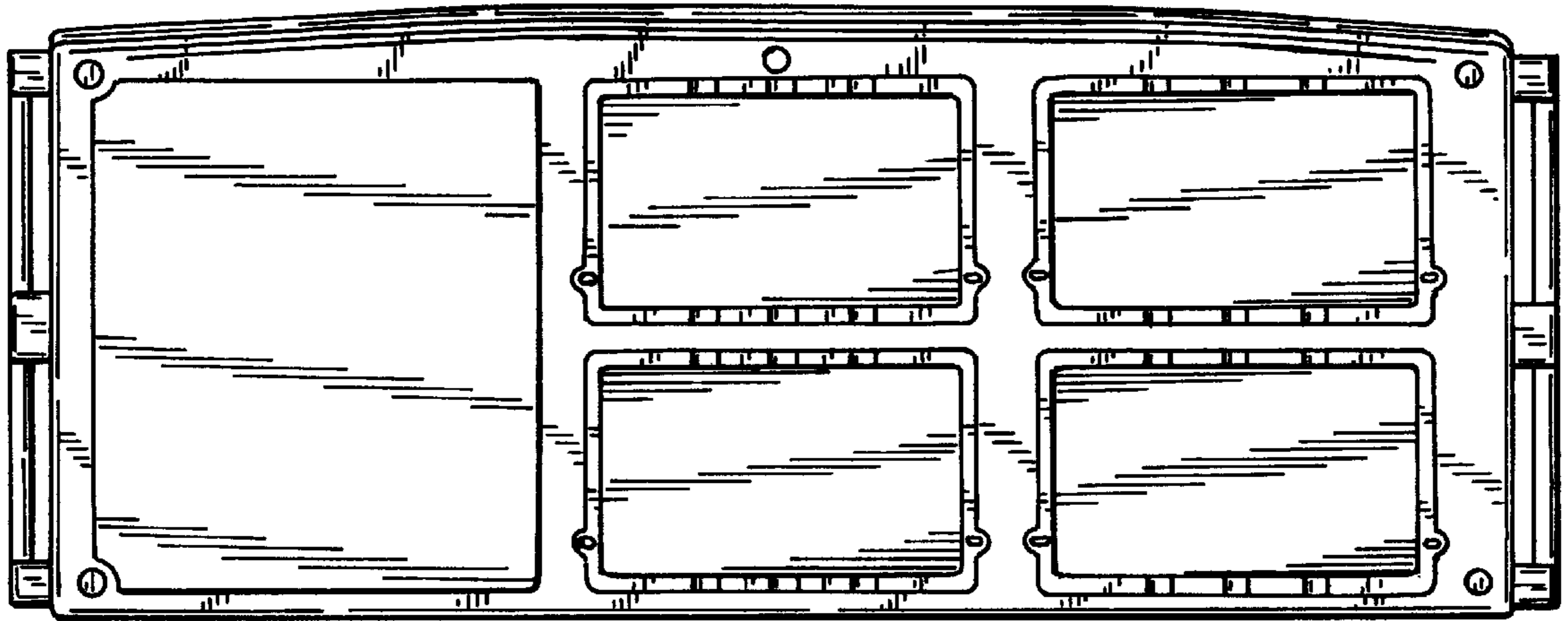


FIG. 3

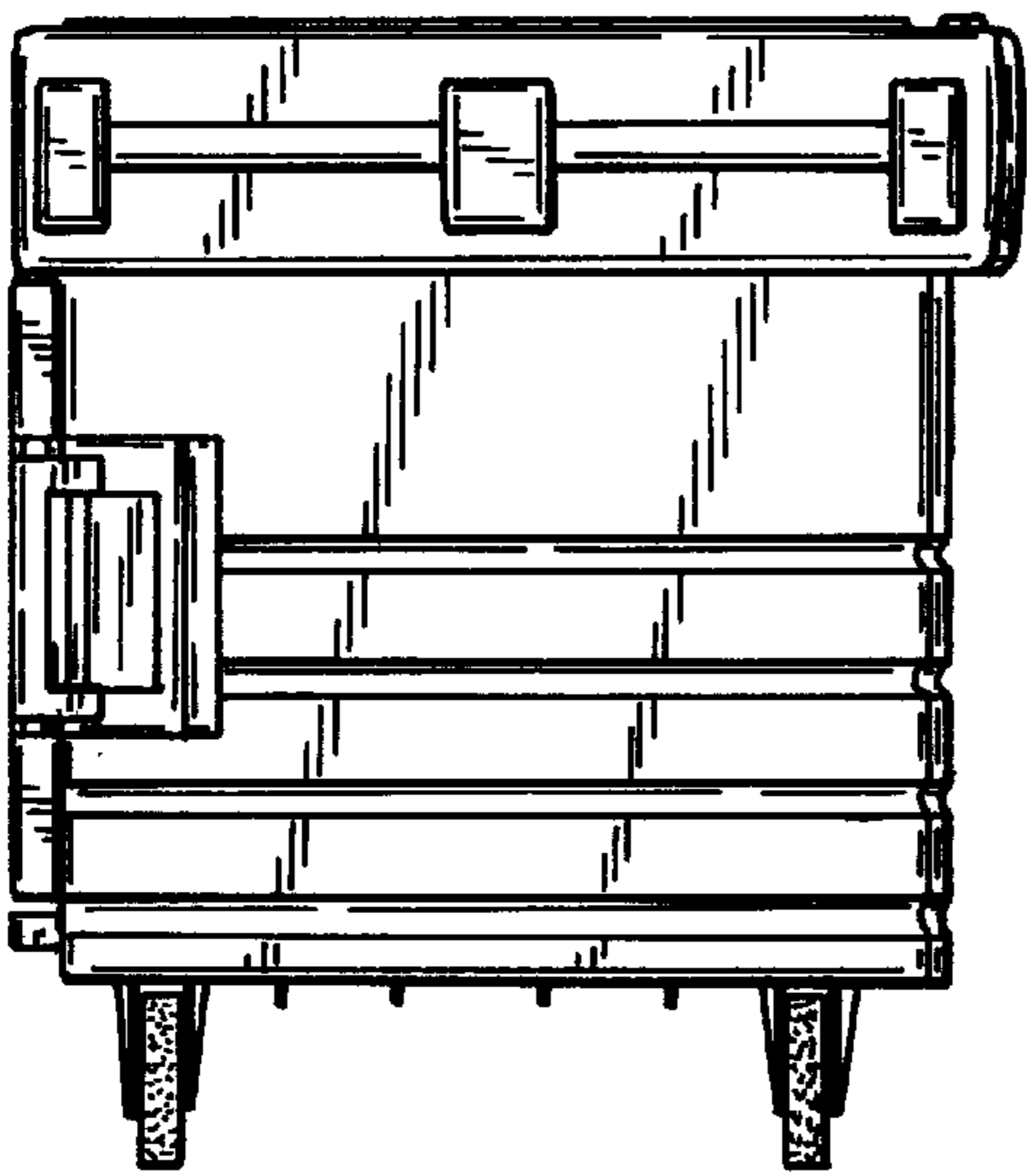


FIG. 4

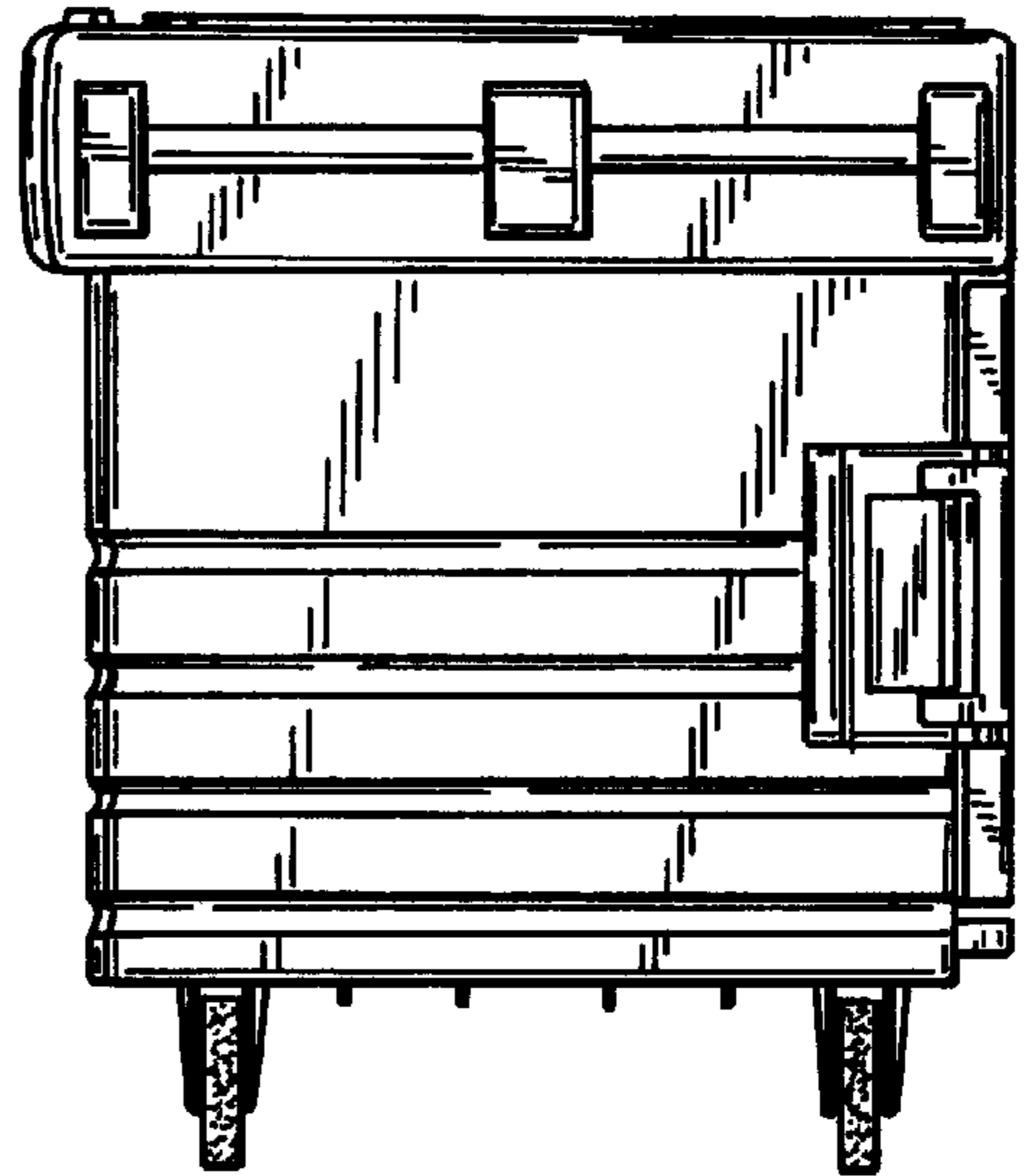


FIG. 5