



US00D411041S

United States Patent [19]

Kinzer et al.

[11] **Patent Number: Des. 411,041**

[45] **Date of Patent: ** Jun. 15, 1999**

[54] **PAIR OF WHEEL ASSEMBLIES FOR AN UPRIGHT LUGGAGE CASE**

[76] Inventors: **Paul Kinzer**, 147 Centre St., Brockton, Mass. 02402; **Amy Wolf**, 63 Savoy St., Providence, R.I. 02906; **William L. King**, 3100 Cherry Creek Dr. South, #1108, Denver, Colo. 80209; **Ryan Sullivan**, 1506 Providence Hwy., Norwood, Mass. 02062; **Pete Twarog**, 1506 Providence Hwy., Norwood, Mass. 02062; **Peter Ward**, 1506 Providence Hwy., Norwood, Mass. 02062

[**] Term: **14 Years**

[21] Appl. No.: **29/077,217**

[22] Filed: **Sep. 29, 1997**

[51] **LOC (6) Cl.** **03-01**

[52] **U.S. Cl.** **D3/318**

[58] **Field of Search** D3/276, 279, 318; 190/18 A, 115; 16/115

[56] **References Cited**

U.S. PATENT DOCUMENTS

- D. 346,953 5/1994 Scicluna D3/279
- D. 352,395 11/1994 King D3/279
- D. 359,676 6/1995 Liang D3/279

- D. 360,756 8/1995 King D3/276
- D. 370,997 6/1996 Hsieh D3/318
- 5,456,342 10/1995 Rekuc et al. 190/18 A
- 5,499,702 3/1996 Wang 190/18 A
- 5,531,300 7/1996 Tsai 190/18 A

Primary Examiner—Philip S. Hyder
Attorney, Agent, or Firm—Gregory W. O'Connor

[57] **CLAIM**

The ornamental design for a pair of wheel assemblies for an upright luggage case, as shown and described.

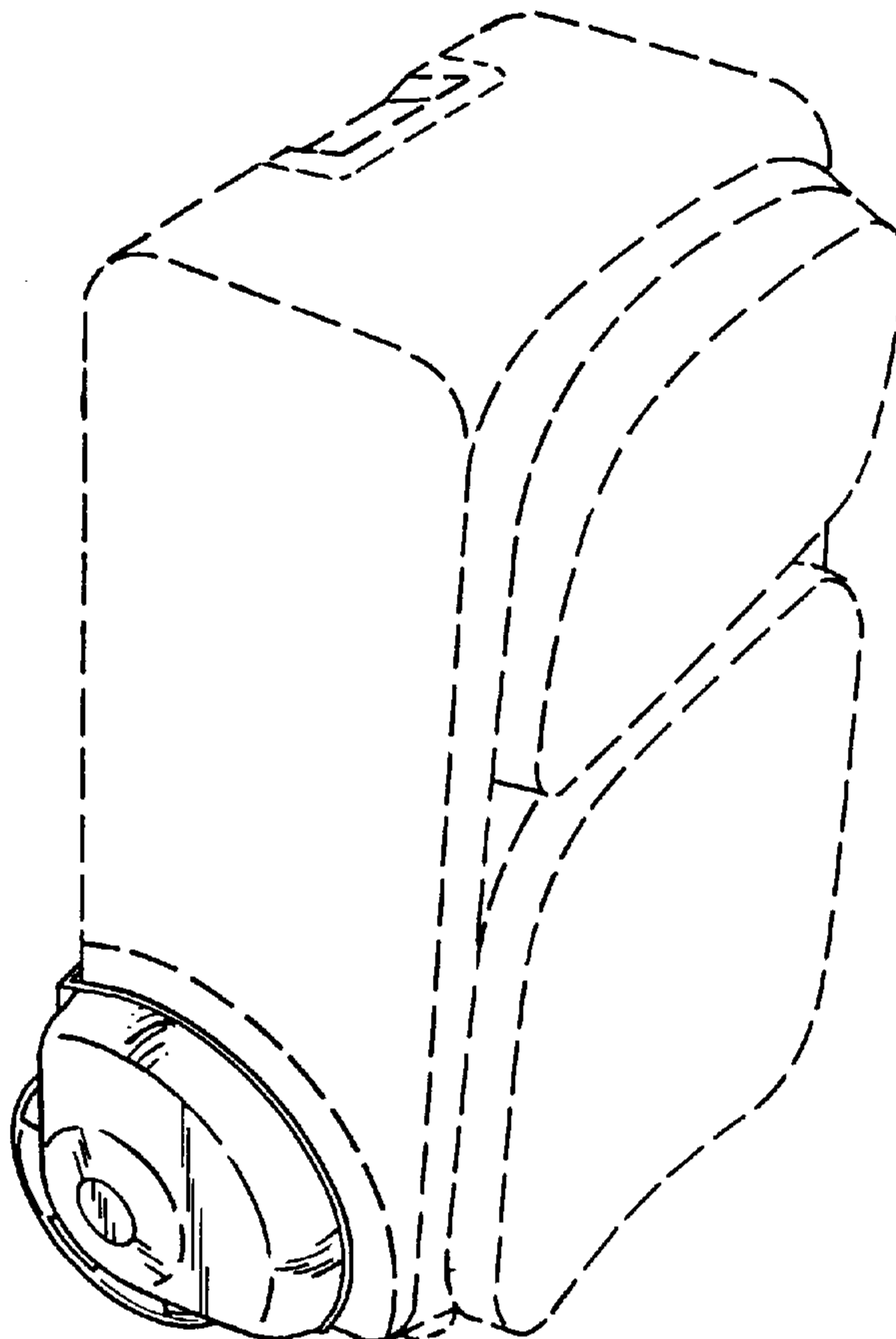
DESCRIPTION

FIG. 1 is a perspective view of the pair of wheel assemblies for an upright luggage case embodying our new design. FIG. 2 is a front view of the case of the pair of wheel assemblies for an upright luggage case shown in FIG. 1. FIG. 3 is a back view thereof, showing the side opposite that shown in FIG. 2. FIG. 4 is a top view thereof. FIG. 5 is a right side view thereof, the left side being a mirror image of that shown in this FIG. 5; and, FIG. 6 is a bottom view thereof.

The upright luggage case shown in dashed lines is merely environmental and does not form any part of the design of our wheel system.

The unshown portions of the wheel assemblies form no part of the claimed design.

1 Claim, 2 Drawing Sheets



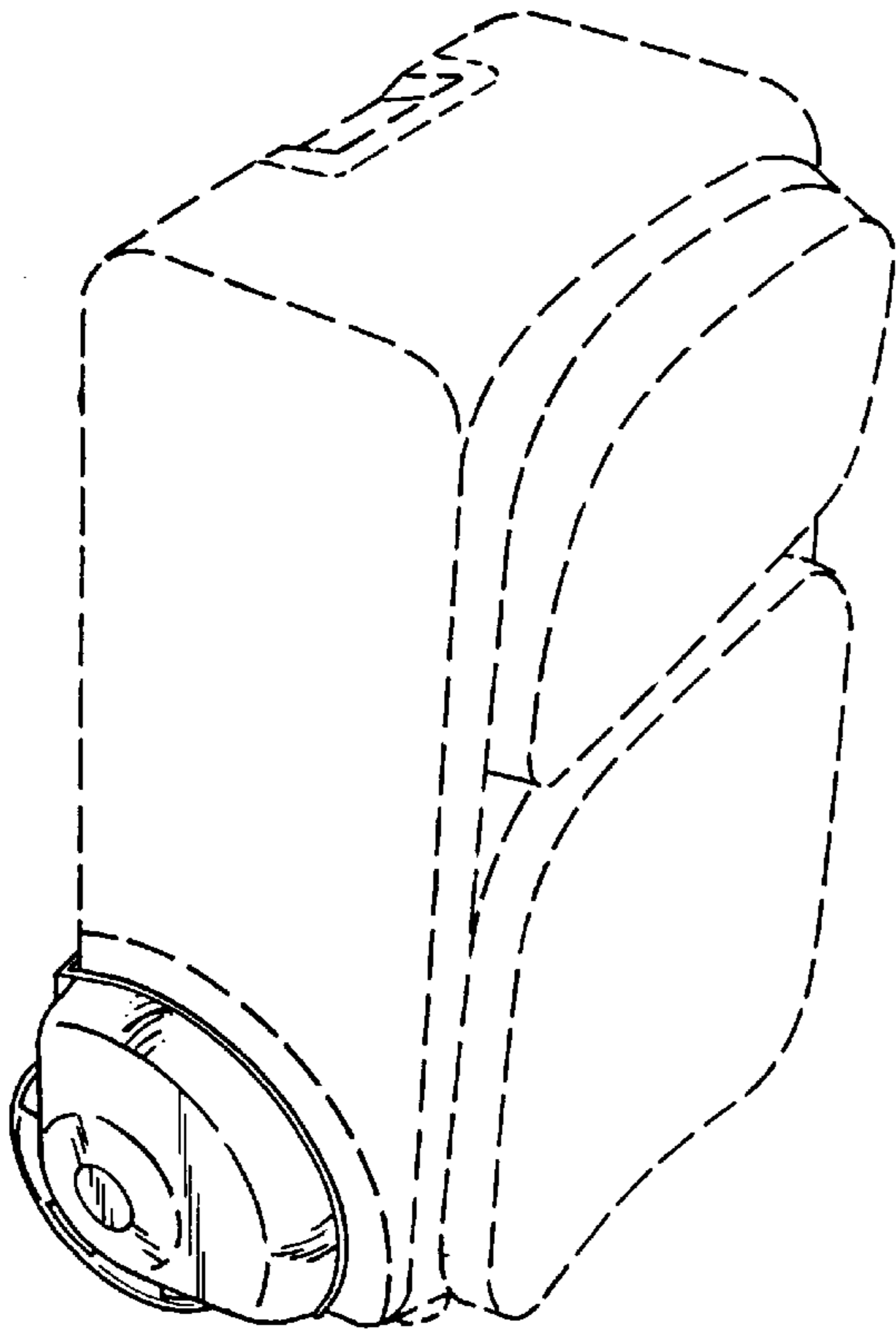


FIG. 1

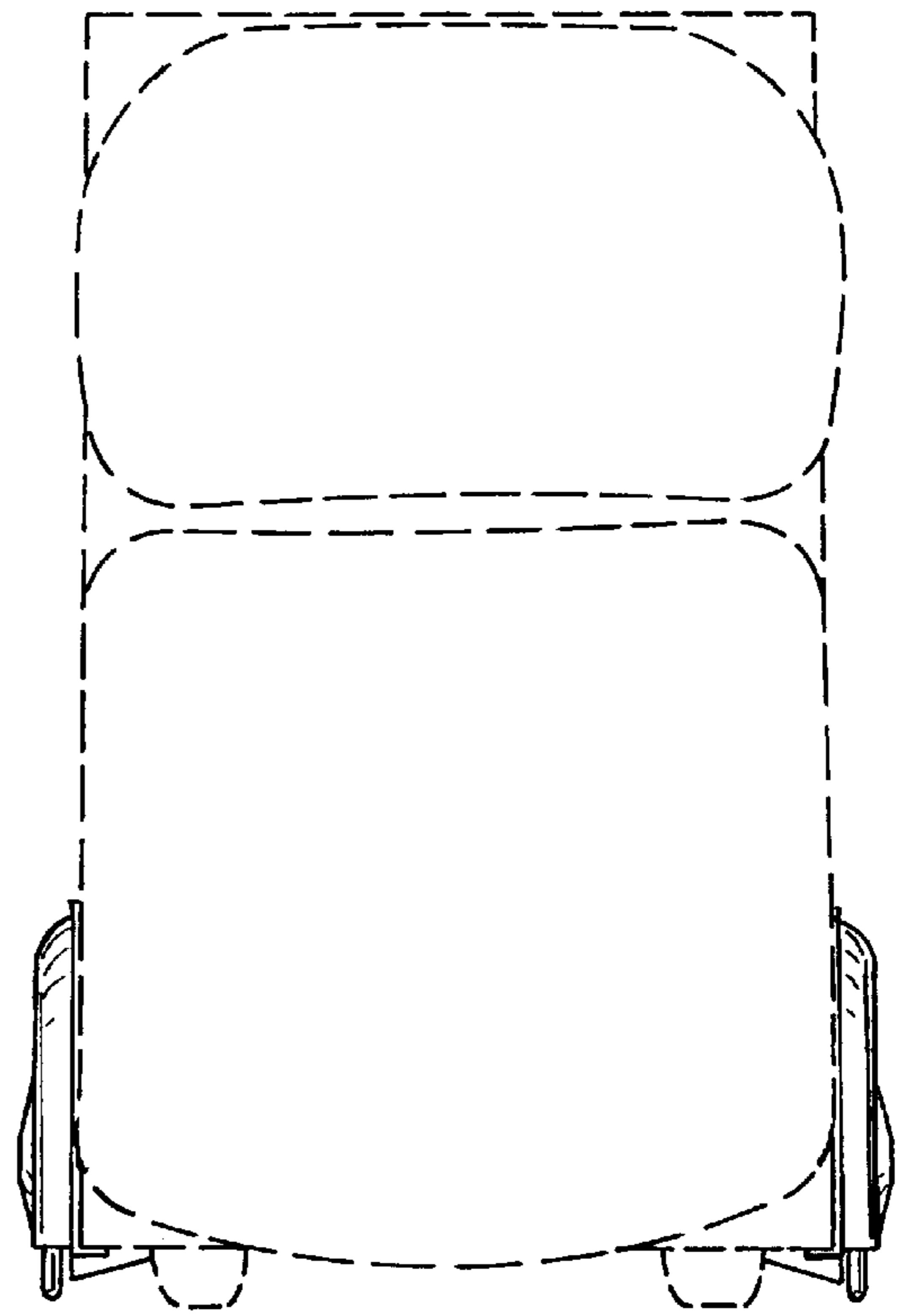


FIG. 2

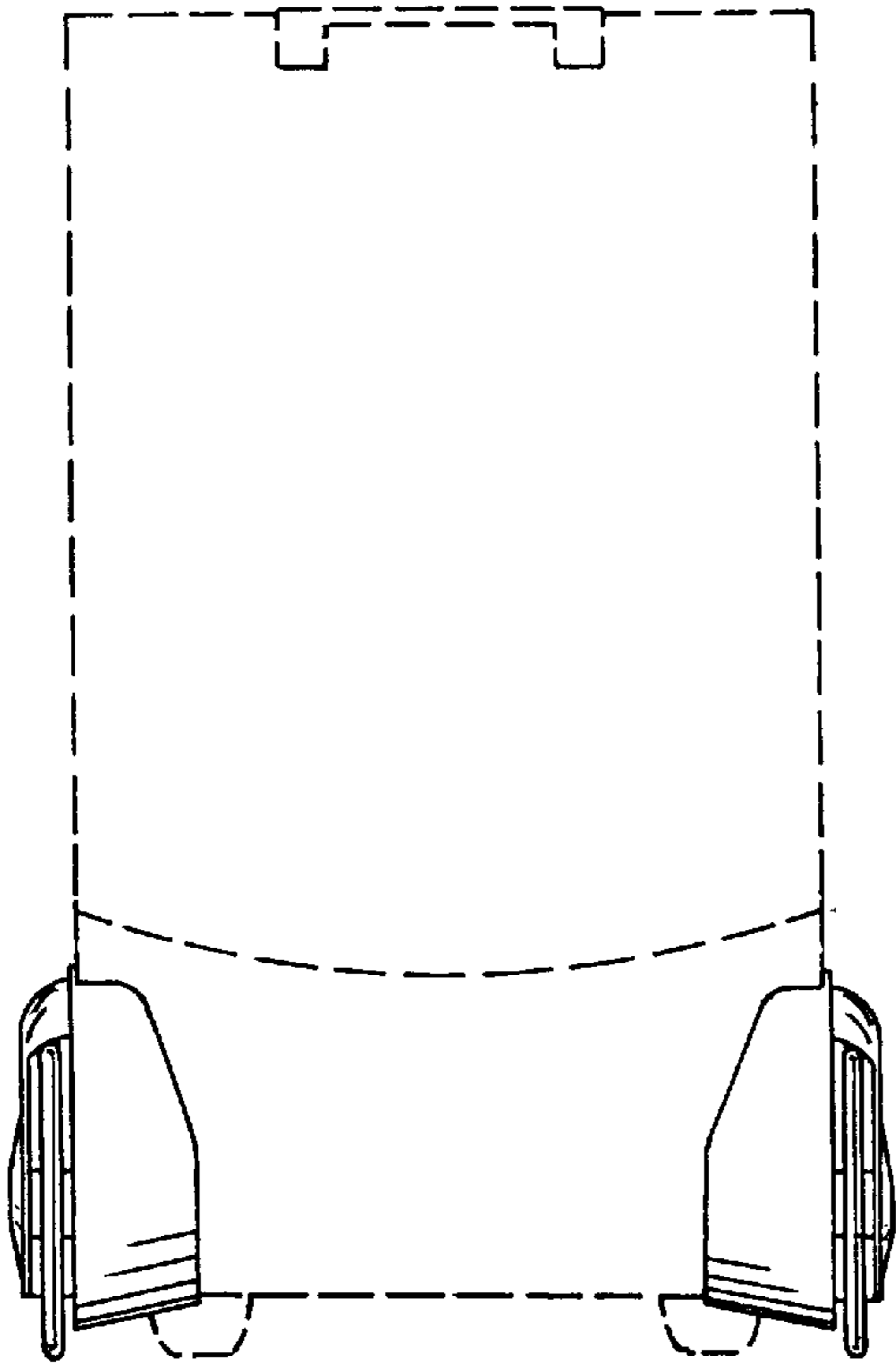


FIG. 3

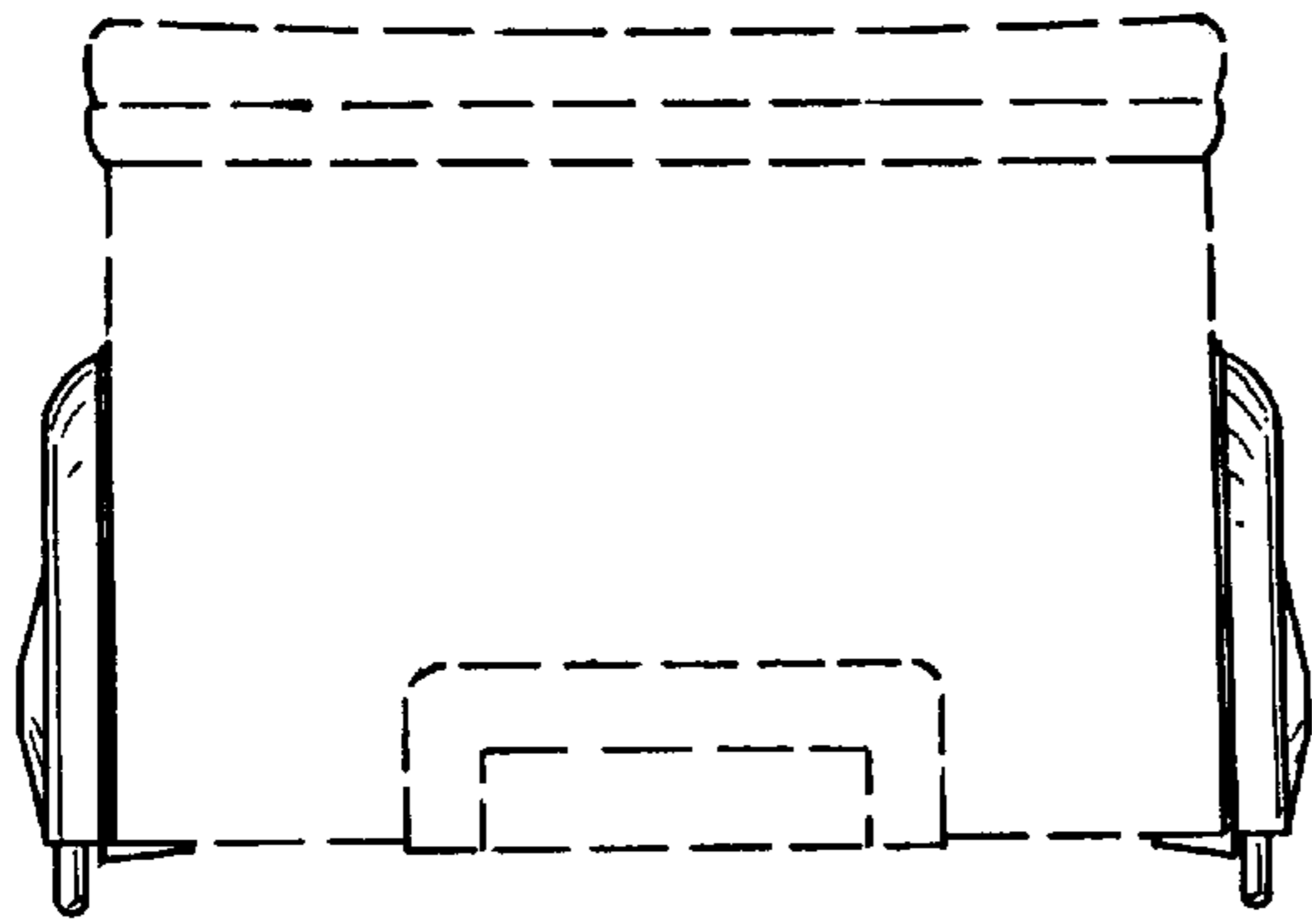


FIG. 4

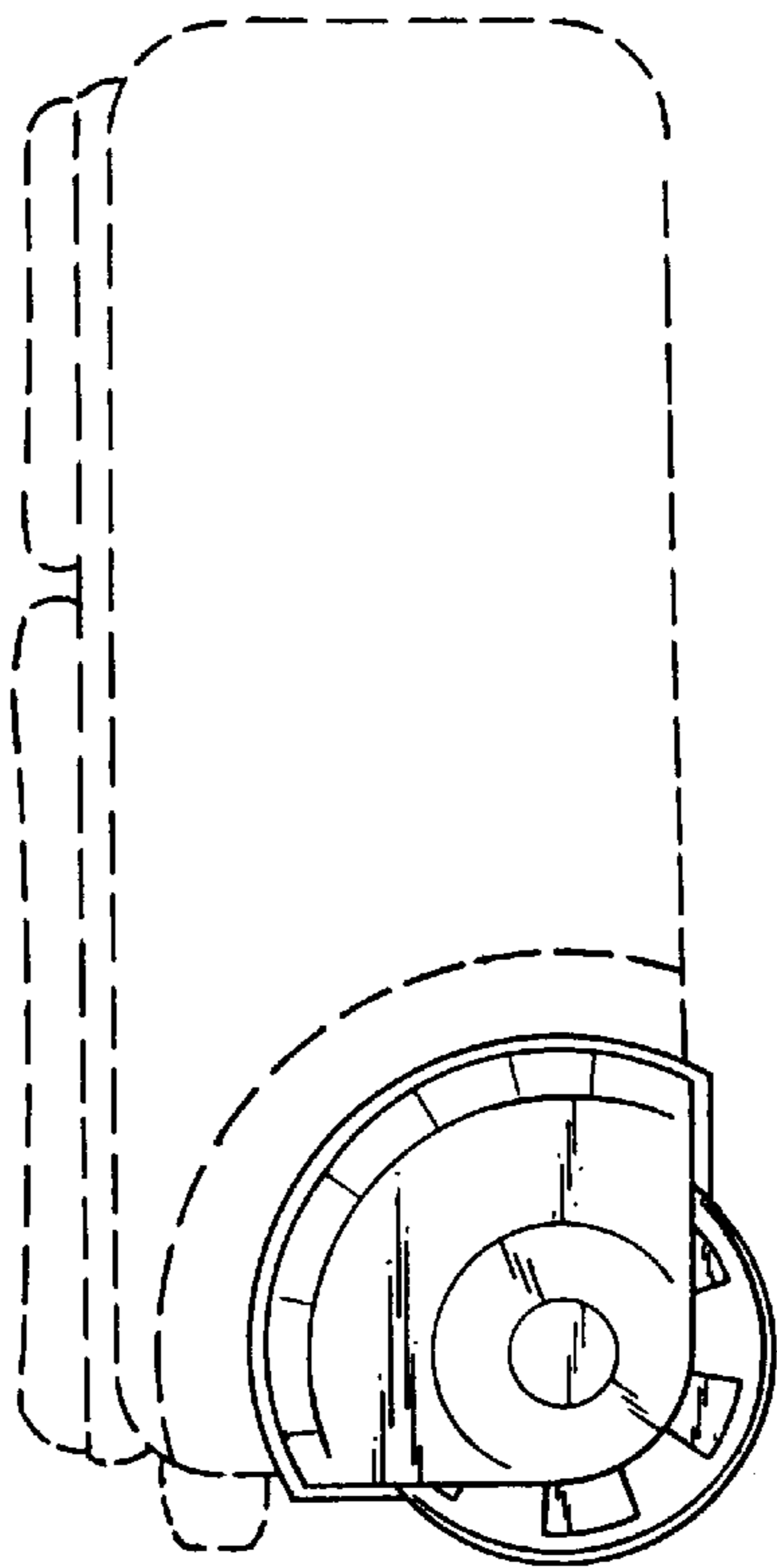


FIG. 5

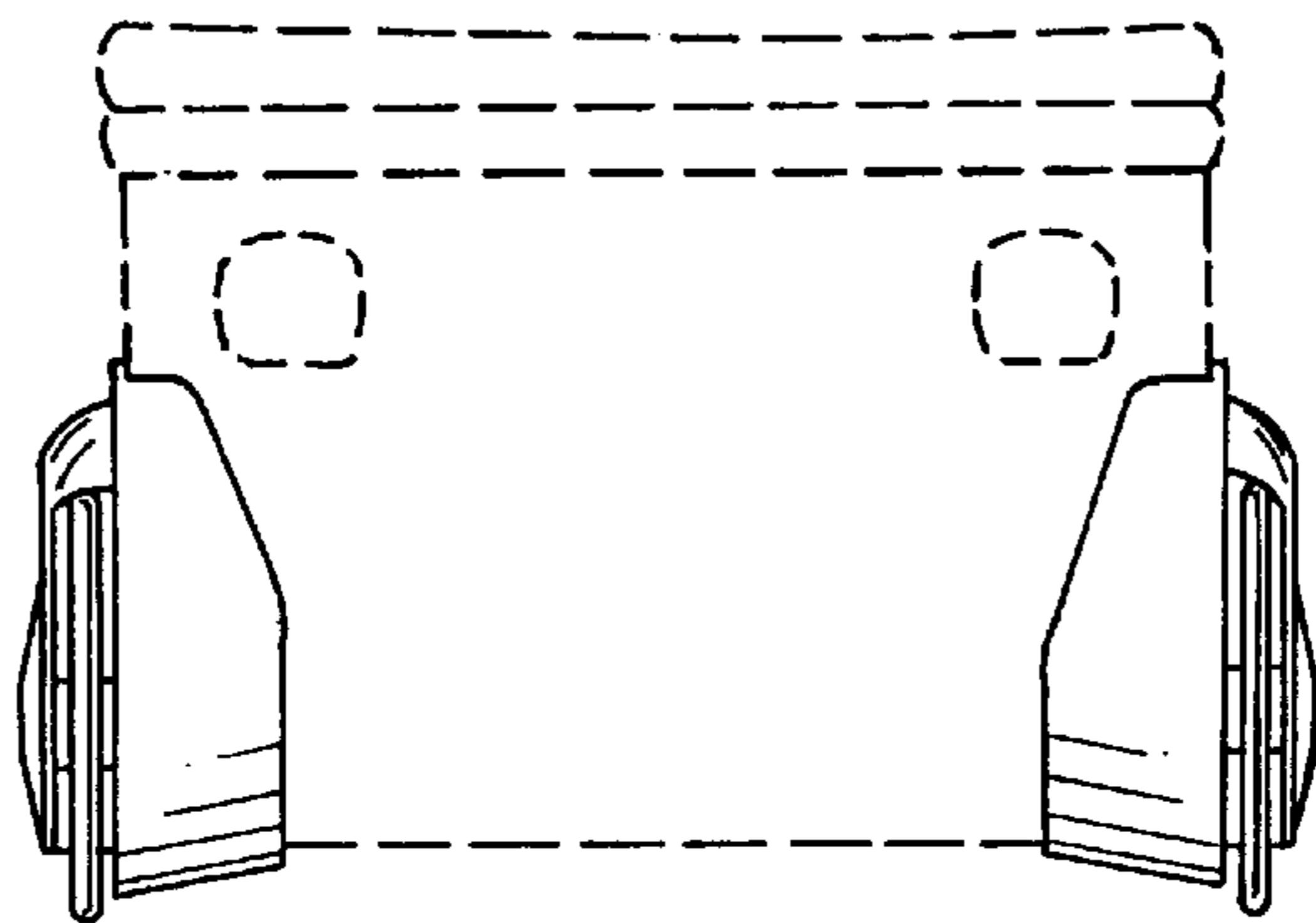


FIG. 6