



US00D411027S

United States Patent [19]

Herst et al.

[11] Patent Number: **Des. 411,027**

[45] Date of Patent: **** Jun. 15, 1999**

[54] **LIGHTING FIXTURE**

[75] Inventors: **Douglas J. Herst, Ross; Utkan Salman, Oakland, both of Calif.**

[73] Assignee: **Peerless Lighting Corporation, Berkeley, Calif.**

[**] Term: **14 Years**

[21] Appl. No.: **29/082,155**

[22] Filed: **Jan. 15, 1998**

[51] **LOC (6) Cl.** **26-05**

[52] **U.S. Cl.** **D26/79**

[58] **Field of Search** D26/72, 80-92,
D26/74-78; 362/147, 404-408, 217, 222,
223, 224, 225, 242, 220, 148, 341, 346,
349

[56] **References Cited**

U.S. PATENT DOCUMENTS

D. 188,467	7/1960	Dunckel	D26/76
D. 311,967	11/1990	Herst et al.	D26/75 X
581,093	4/1897	Weeks	362/219 X
4,712,165	12/1987	Cetrone	362/147
4,924,366	5/1990	Shemitz et al.	362/147 X
5,278,737	1/1994	Luce et al.	362/147
5,303,127	4/1994	Kosann	362/217

OTHER PUBLICATIONS

Habitat Fluorescent Lights catalog #6, p. 10, suspended fluorescent lighting fixture, Apr. 1981.

U.S. application No. 29/082154, Herst et al., filed Jan. 15, 1998.

U.S. application No. 29/082141, Herst et al., filed Jan. 15, 1998.

Peerless Catalog, 9x3 Rounded Lightscreen Indirect, 1996, (1 page).

Peerless Catalog, 6x3 Wall Wash, 1996 (2 pages) Prior to Filing Date.

Peerless computer rendition of prior art luminaire design Prior to Filing Date.

Primary Examiner—Susan J. Lucas
Attorney, Agent, or Firm—Donald L. Beeson

[57] **CLAIM**

The ornamental design for a lighting fixture, as shown and described.

DESCRIPTION

FIG. 1 is a bottom perspective view of a lighting fixture in accordance with our new design, in which corner connectors are shown in broken lines;

FIG. 2 is bottom perspective view thereof, in which the corner connectors shown in FIG. 1 have been omitted to reveal portions of the design obscured by the corner connectors;

FIG. 3 is a bottom plan view thereof;

FIG. 4 is a front elevational view thereof, the rear and side elevations being identical thereto;

FIG. 5 is a bottom perspective view of another embodiment of a lighting fixture in accordance with our new design, in which corner connectors are shown in broken lines;

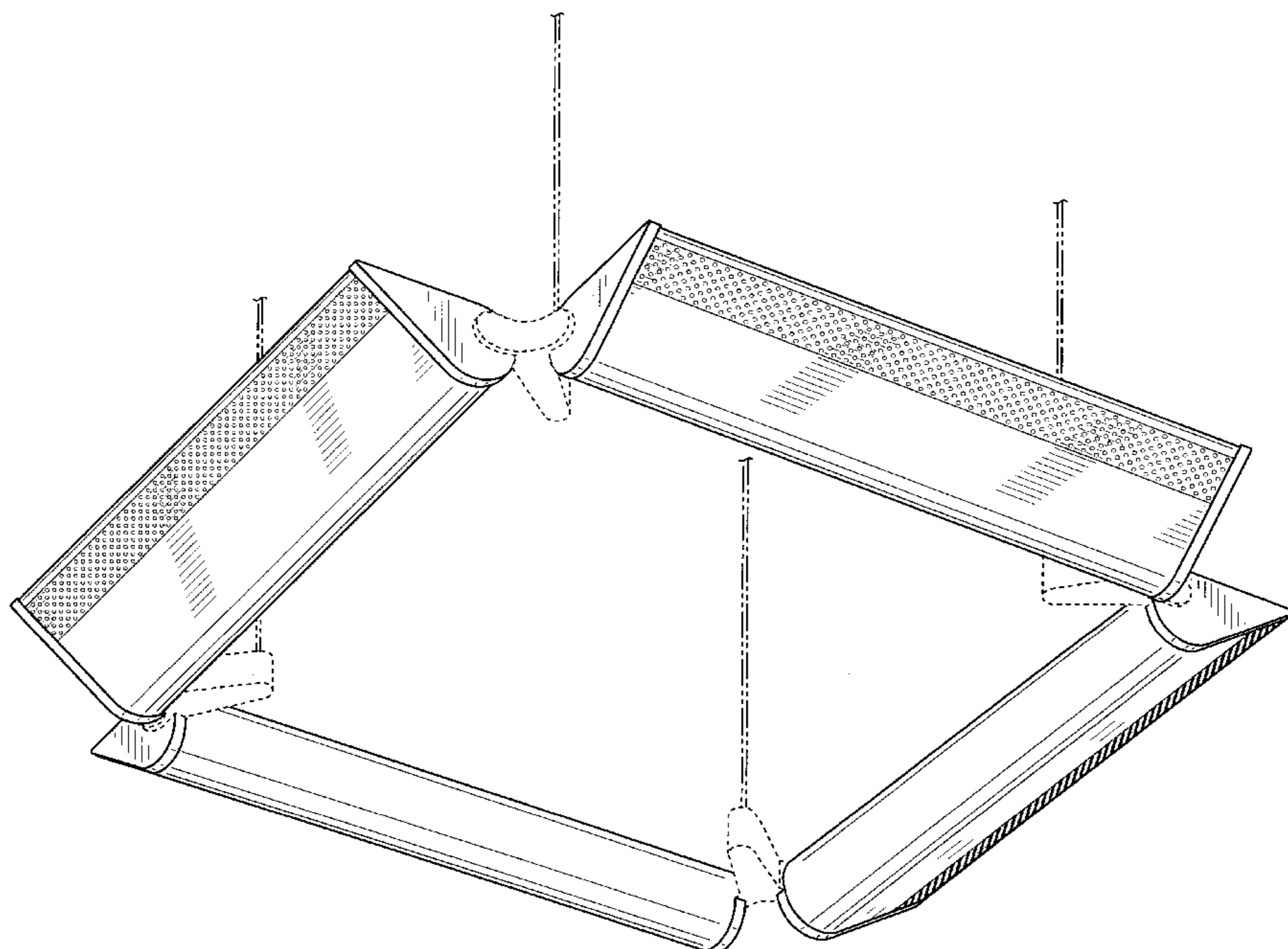
FIG. 6 is bottom perspective view thereof, in which the corner connectors shown in FIG. 5 have been omitted to reveal portions of the design obscured by the corner connectors;

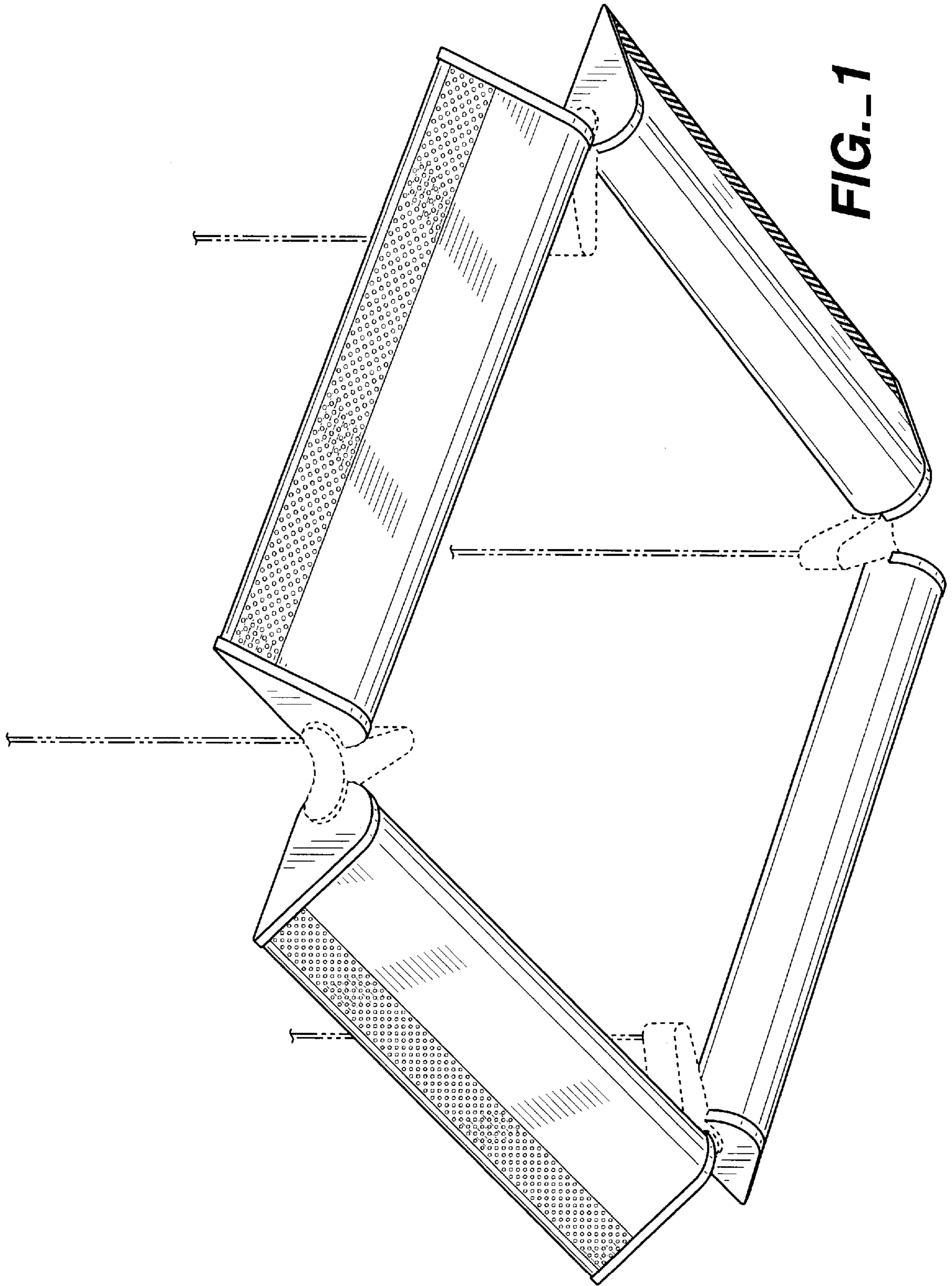
FIG. 7 is a bottom plan view thereof; and,

FIG. 8 is a front elevational view thereof, the rear and side elevations being identical thereto.

The broken lines are shown in FIGS. 1, 3, 5, and 7 for illustrative purposes only and indicate the nature and use of our new design.

1 Claim, 6 Drawing Sheets





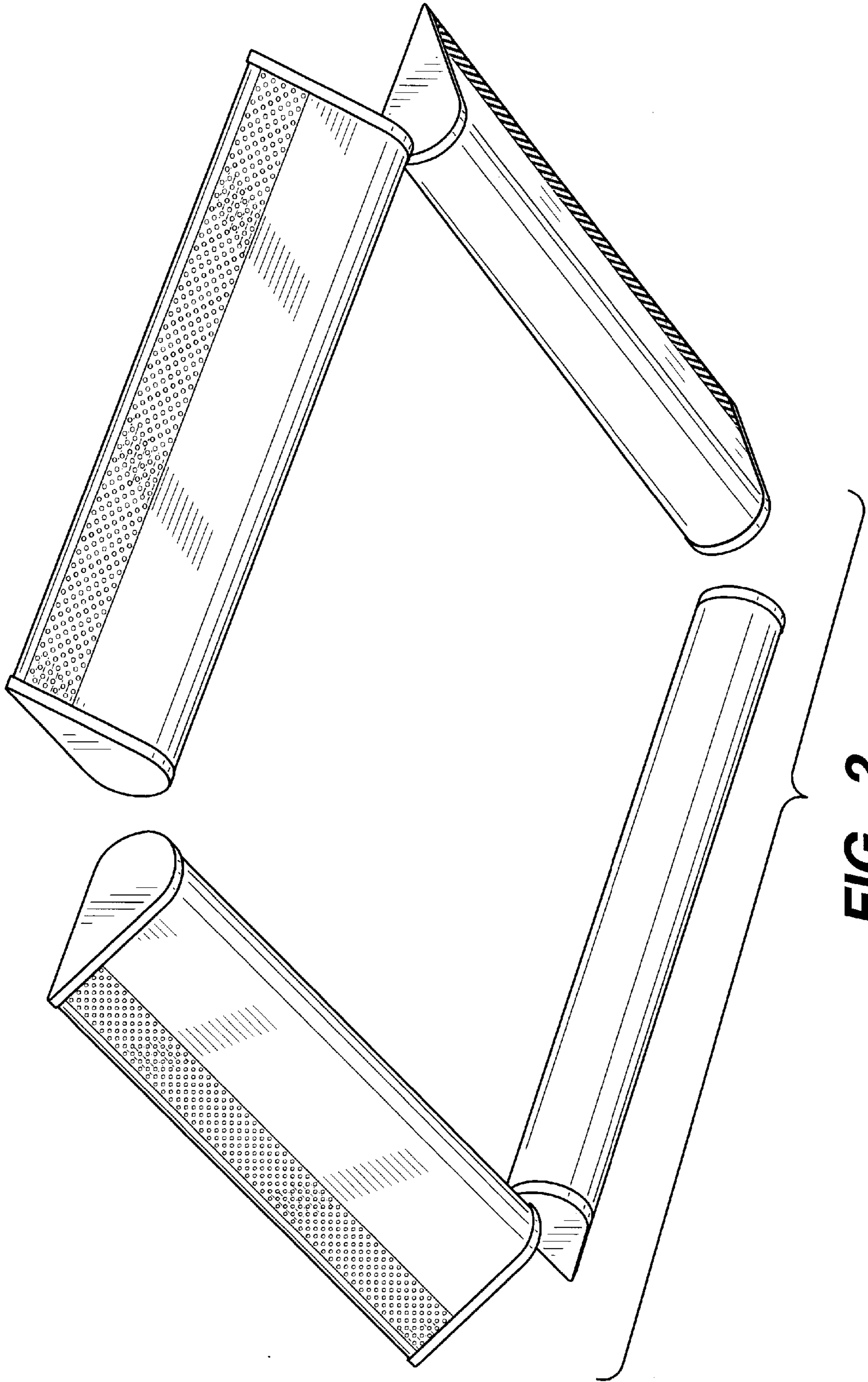


FIG. 2

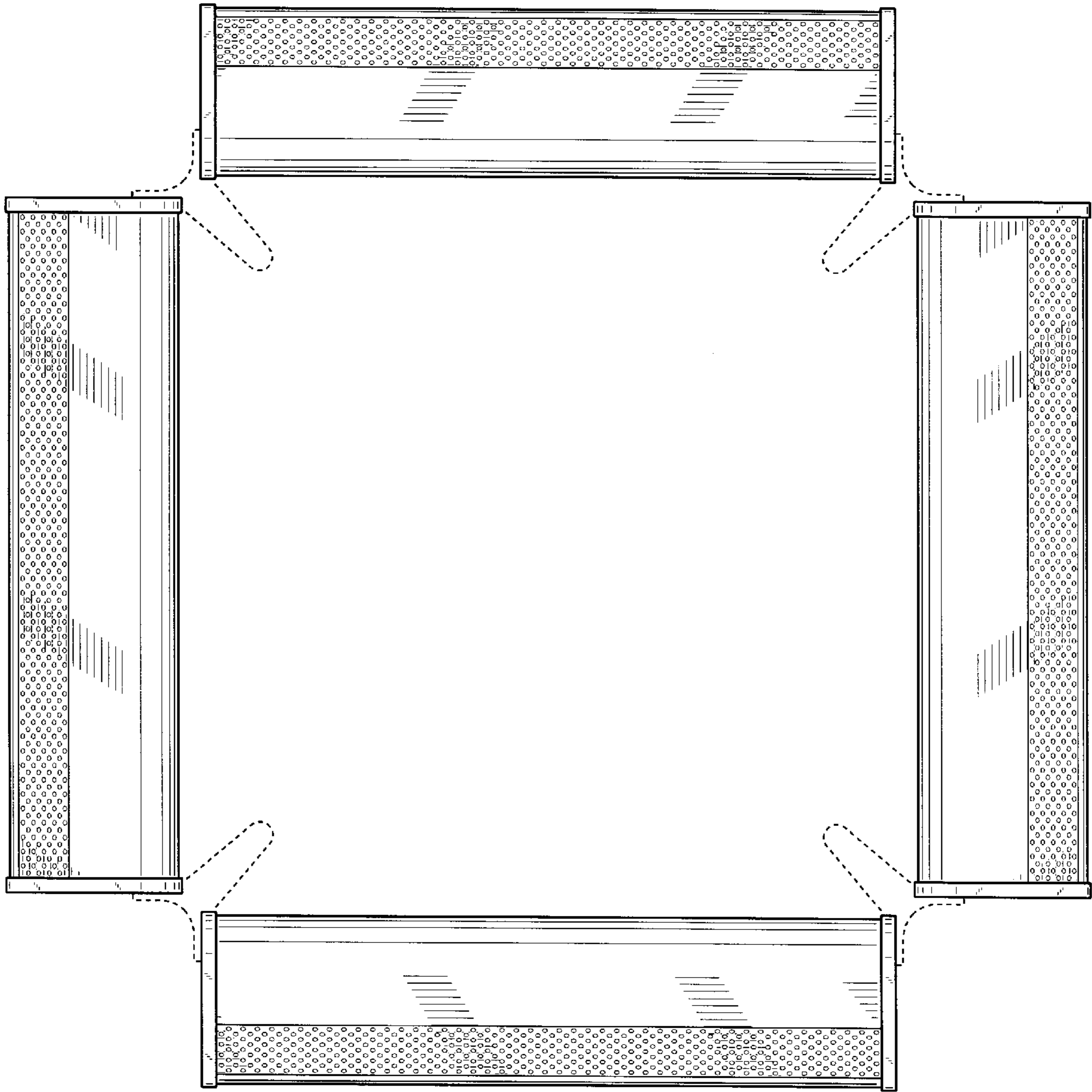


FIG._3

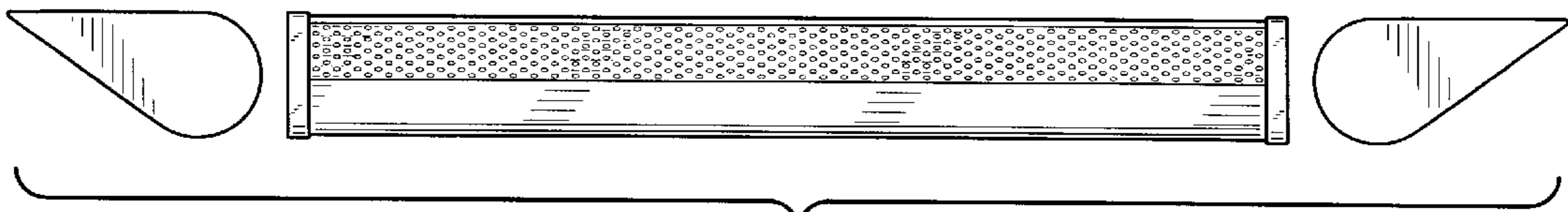


FIG._4

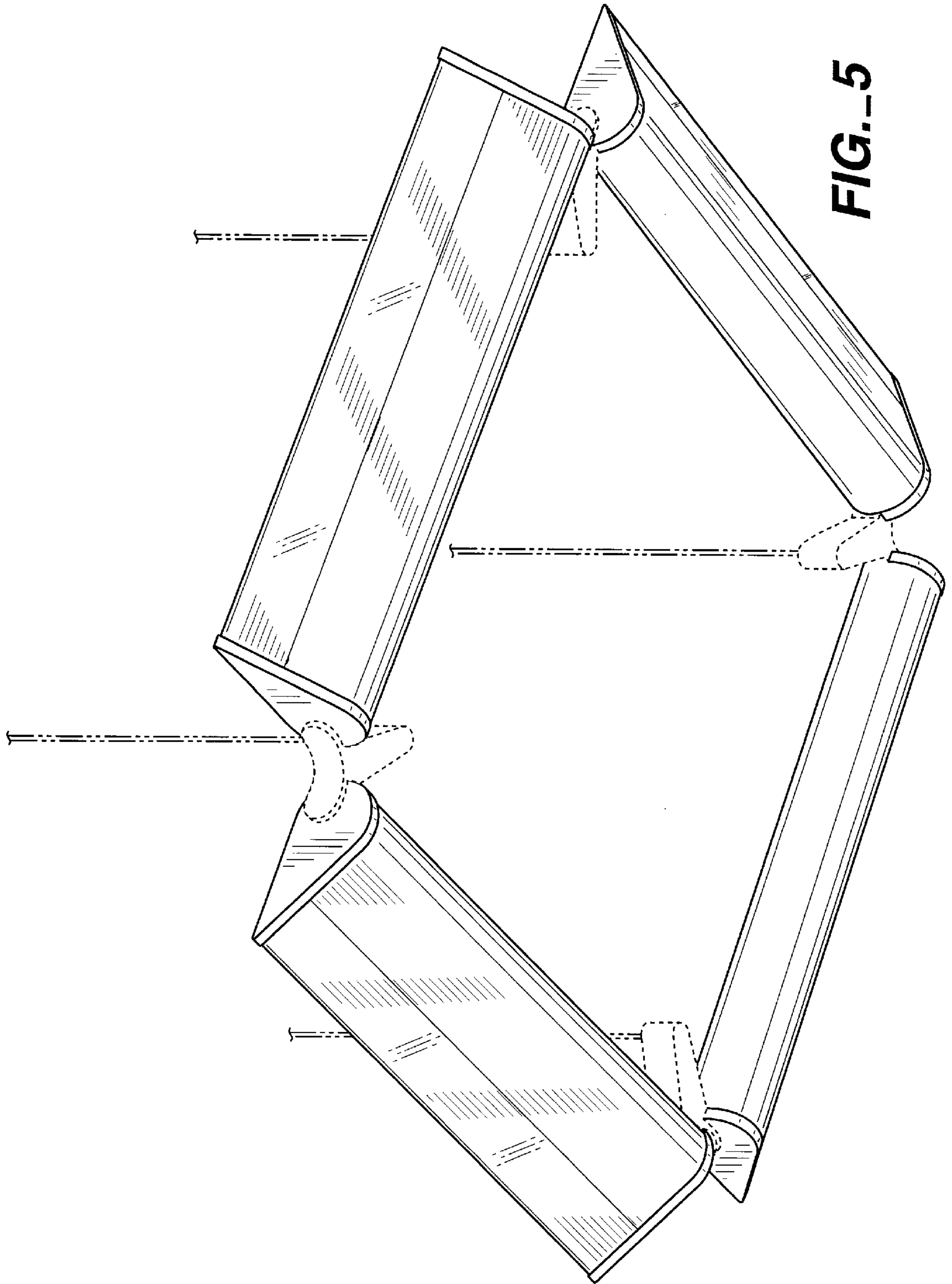


FIG. 5

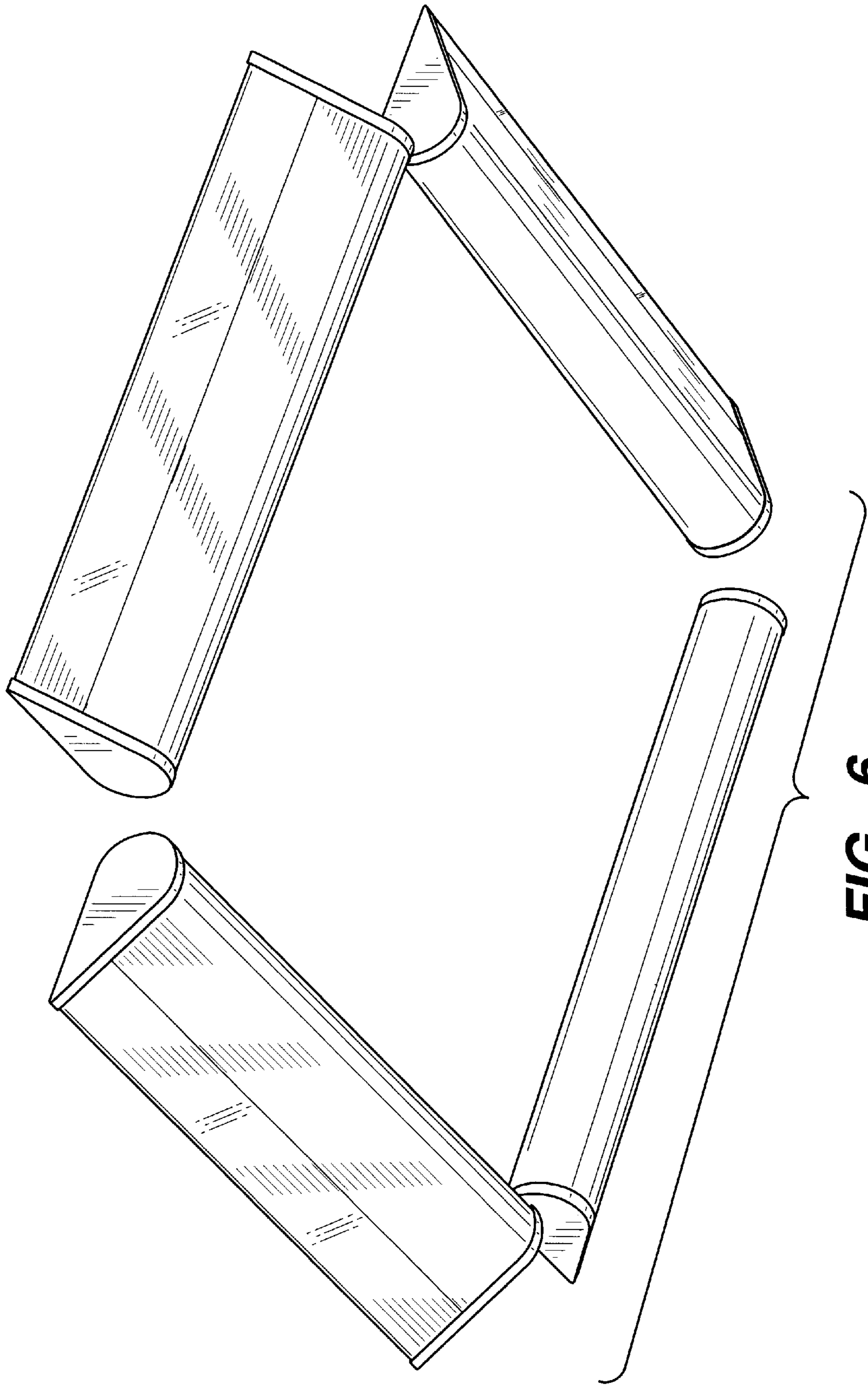


FIG. 6

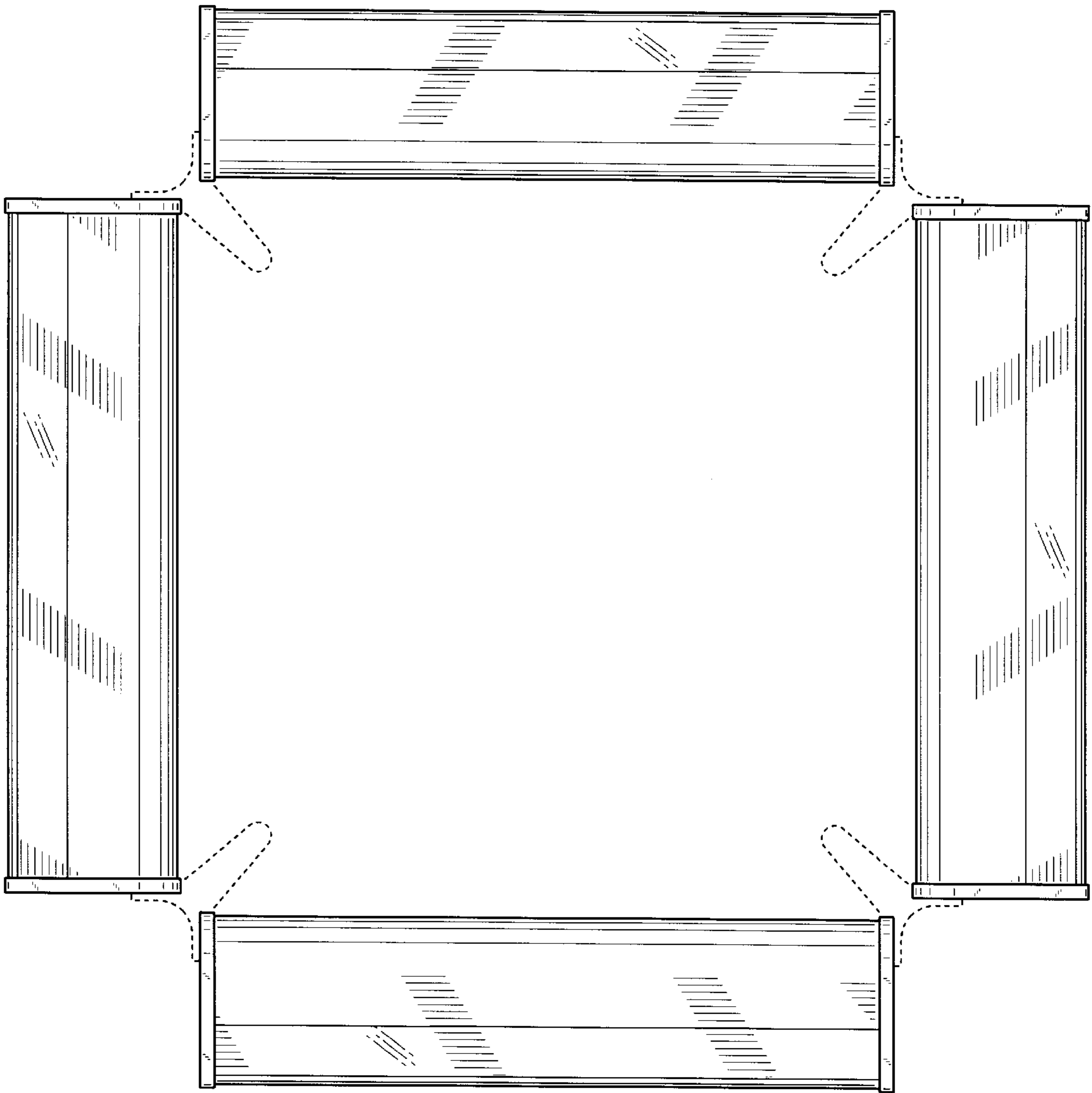


FIG._7

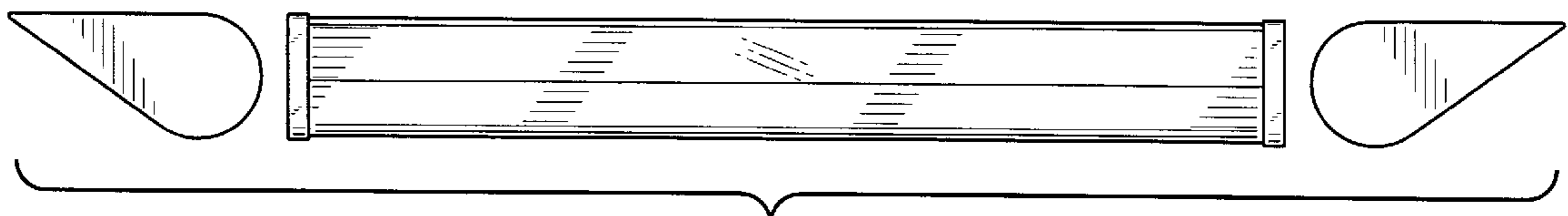


FIG._8