



US00D411026S

United States Patent [19]
Schaak et al.

[11] **Patent Number: Des. 411,026**
[45] **Date of Patent: ** Jun. 15, 1999**

[54] **DESK LAMP**

1,697,710 1/1929 Bostroem 362/410 X

[75] Inventors: **Lee G. Schaak**, Dix Hills, N.Y.; **Chad D. C. Hsieh**, Taipei, Taiwan

OTHER PUBLICATIONS

B. A. Pargh Co. Inc. lighting catalog, p. 195, tensor lamp, Jun. 1991.

[73] Assignee: **MTLS Lighting Inc.**, New York, N.Y.

Primary Examiner—Susan J. Lucas
Attorney, Agent, or Firm—Jones, Day, Reavis & Pogue

[**] Term: **14 Years**

[21] Appl. No.: **29/080,204**

[57] **CLAIM**

The ornamental design for a desk lamp, as shown.

[22] Filed: **Dec. 3, 1997**

[51] **LOC (6) Cl.** **26-05**

DESCRIPTION

[52] **U.S. Cl.** **D26/63; D26/107**

FIG. 1 is a perspective view of a desk lamp showing our new design;

[58] **Field of Search** D26/60-66, 107;

FIG. 2 is a front elevational view thereof;

362/410-414, 269, 275, 287, 288, 418, 419, 427

FIG. 3 is a back elevational view thereof;

FIG. 4 is a side elevational view thereof;

[56] **References Cited**

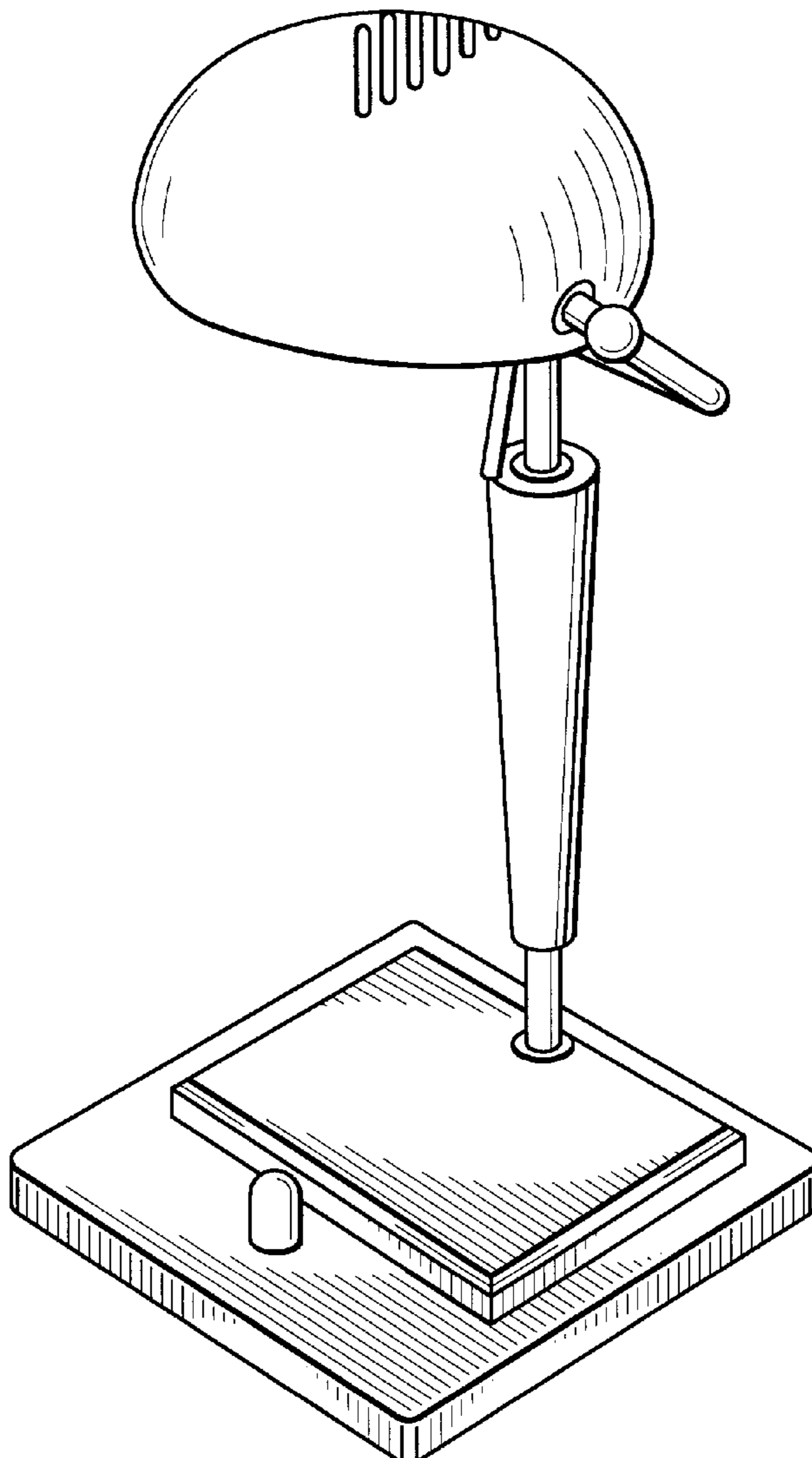
FIG. 5 is a top plan view thereof; and,

FIG. 6 is a bottom plan view thereof.

U.S. PATENT DOCUMENTS

D. 354,370 1/1995 Stromberg D26/109

1 Claim, 6 Drawing Sheets



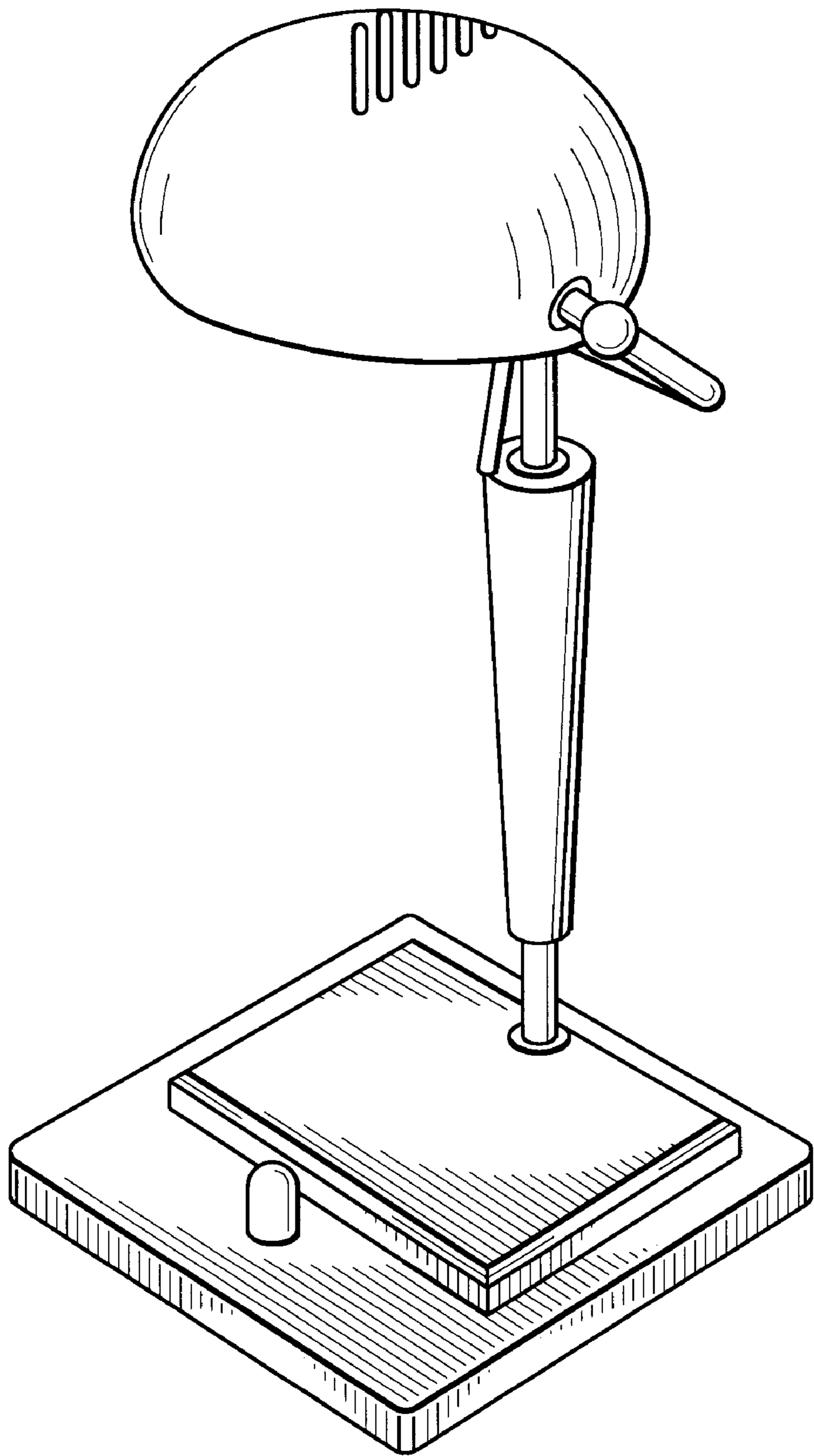


FIG. 1

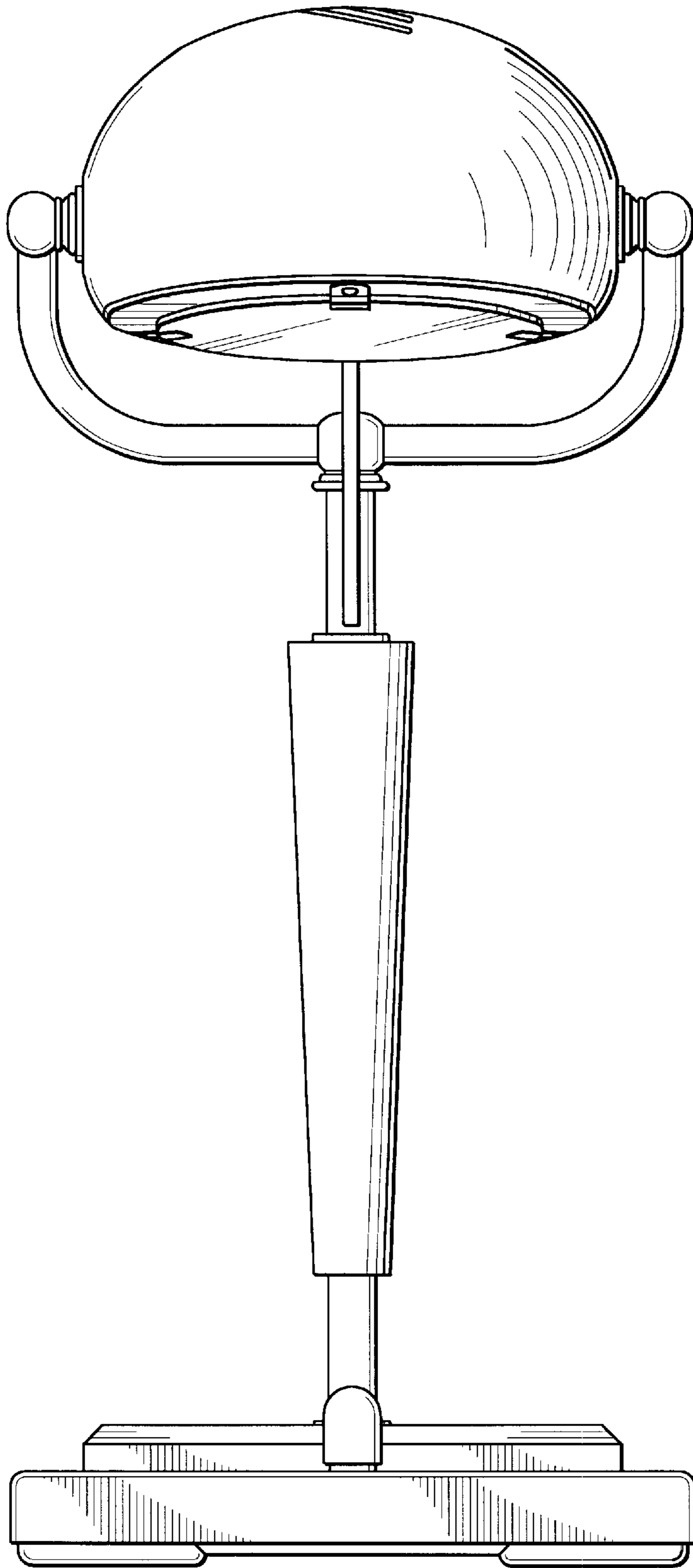


FIG. 2

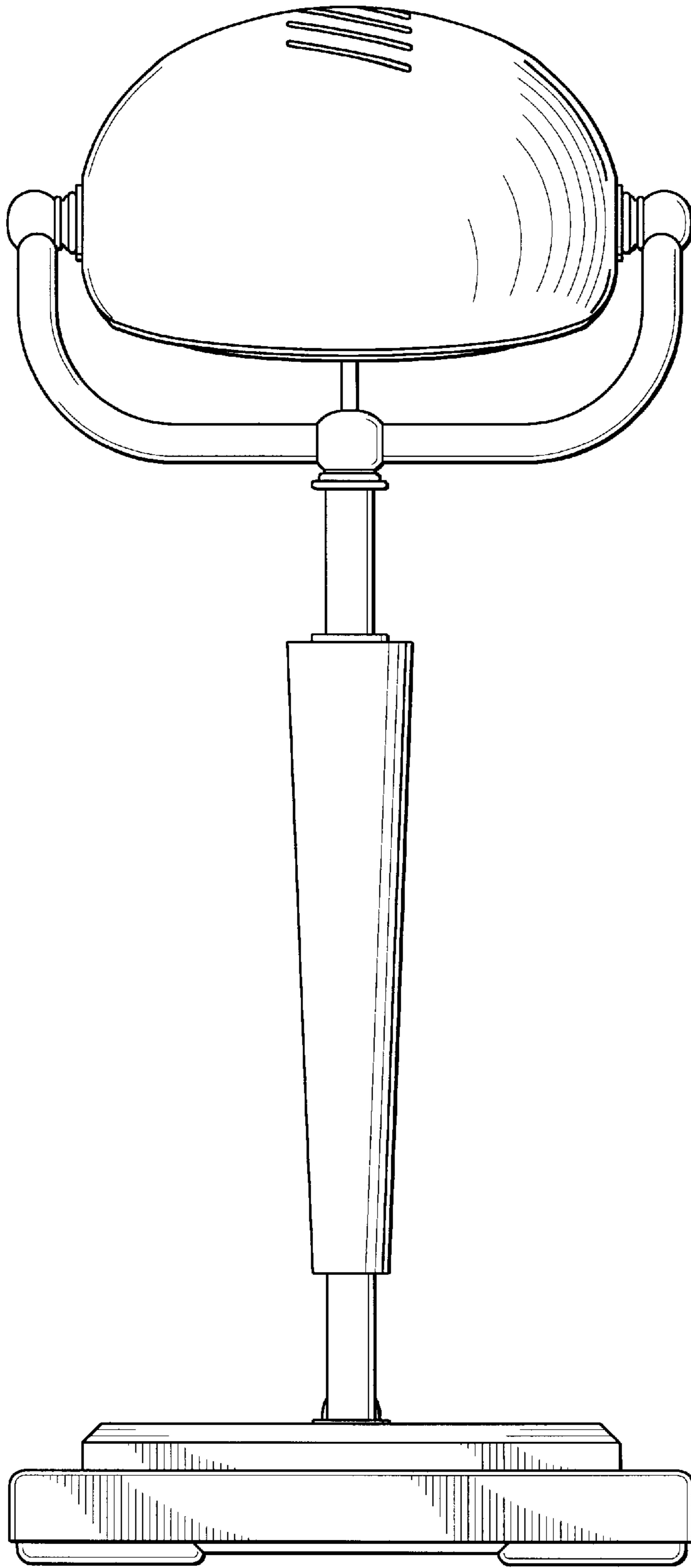


FIG. 3

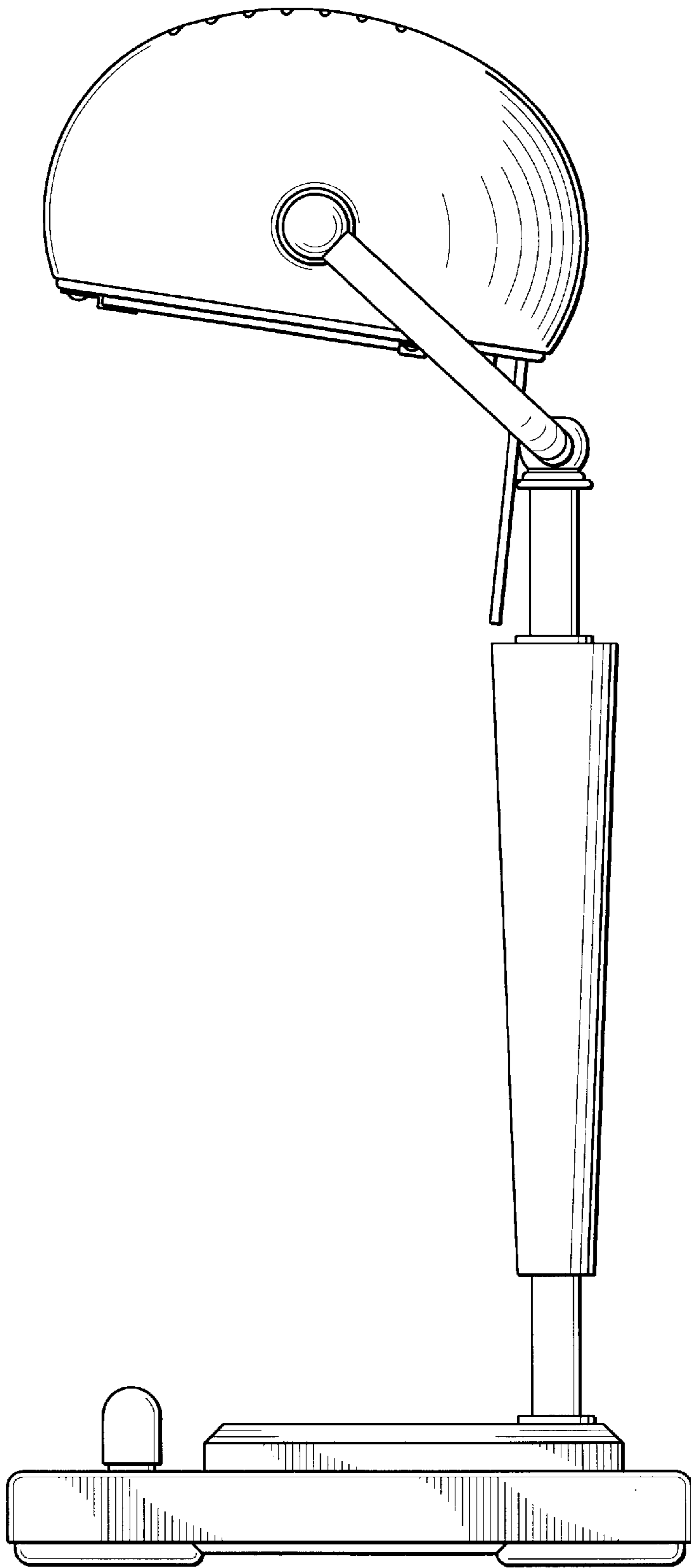


FIG. 4

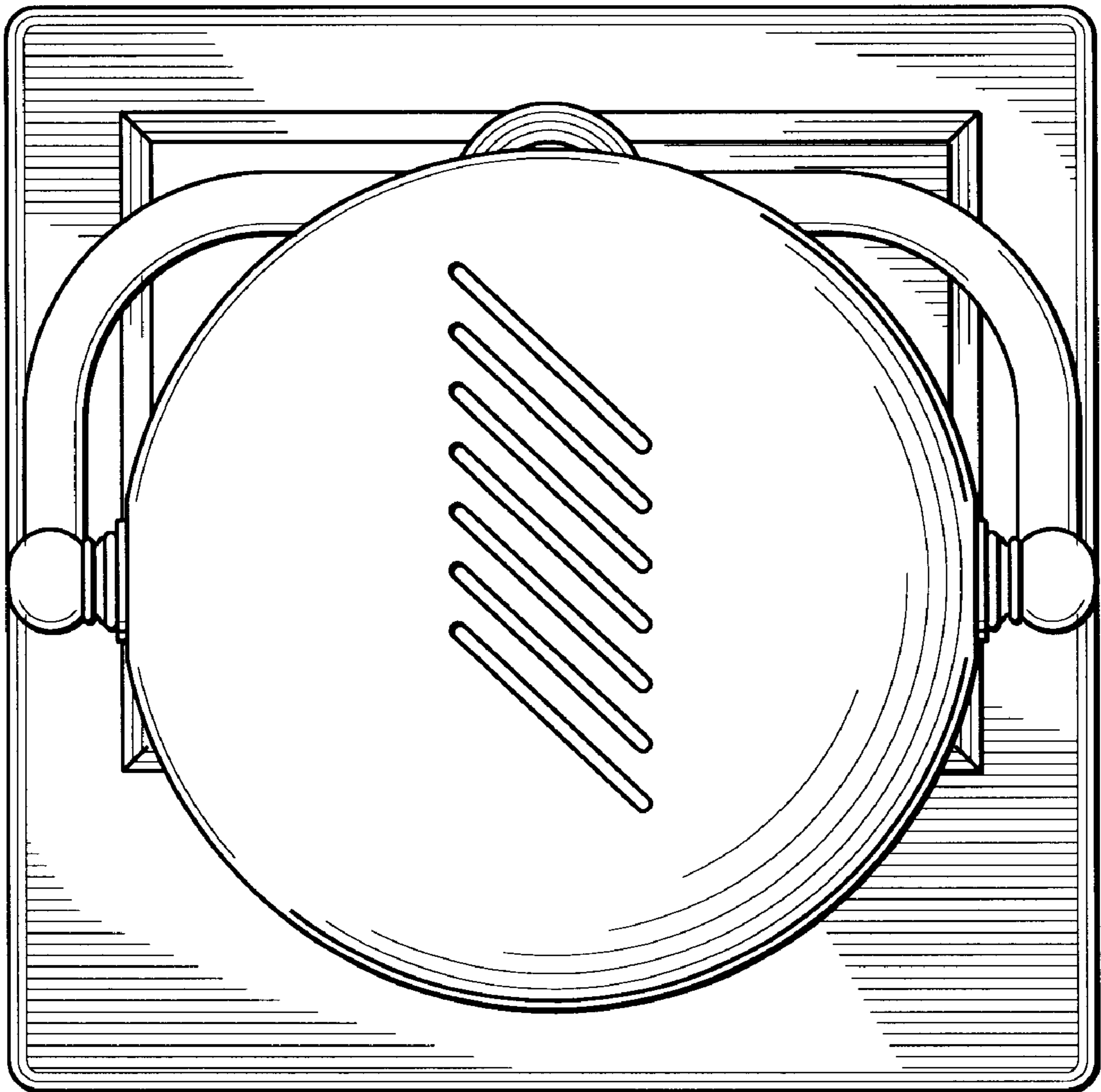


FIG. 5

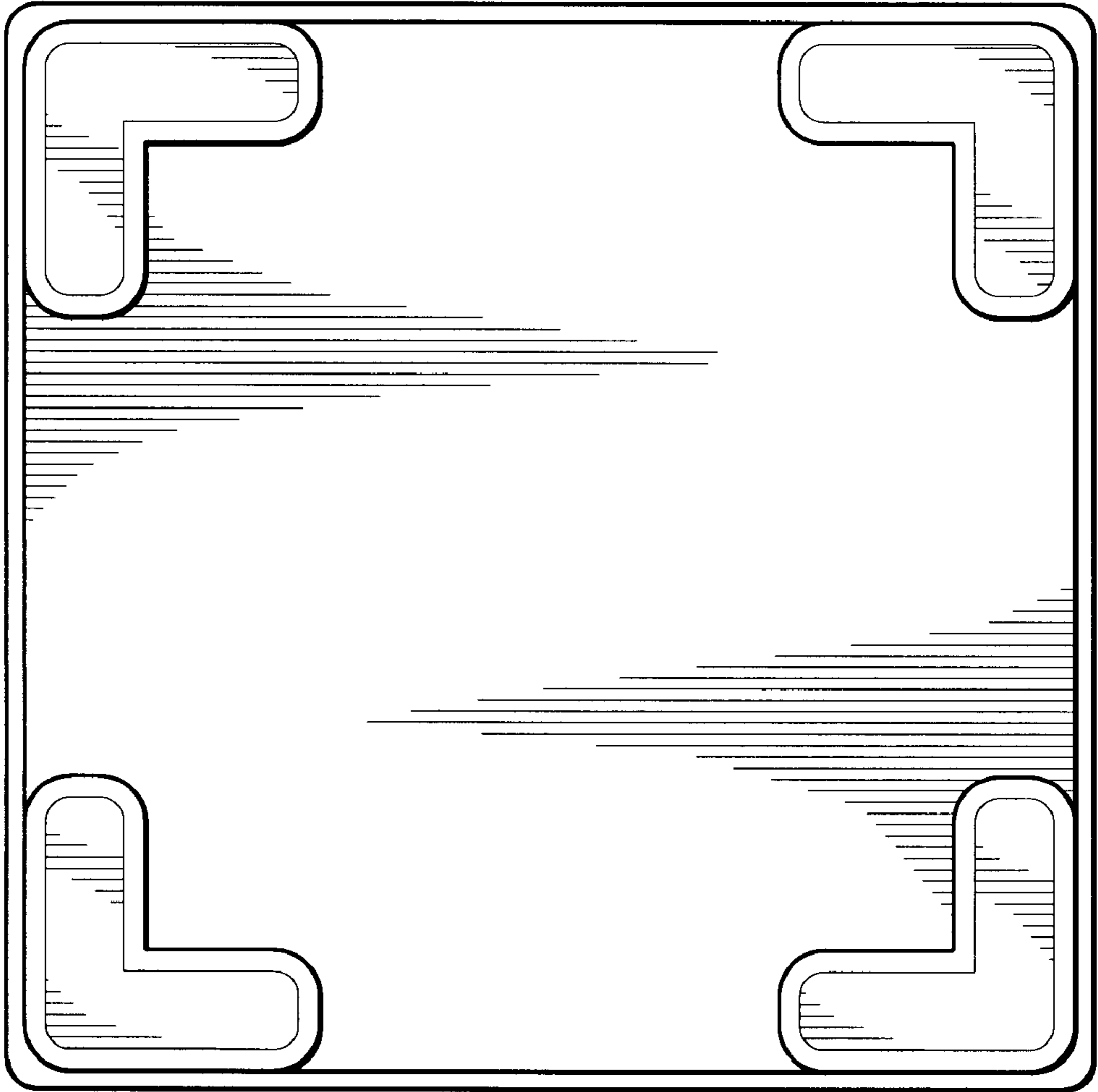


FIG. 6