



US00D411025S

# United States Patent [19] Rahn

[11] **Patent Number: Des. 411,025**

[45] **Date of Patent: \*\* Jun. 15, 1999**

[54] **LIGHTING FIXTURE**

[76] Inventor: **Erhard Rahn**, Bayernallee 17,  
DE-14052 Berlin, Germany

[\*\*] Term: **14 Years**

[21] Appl. No.: **29/059,486**

[22] Filed: **Sep. 12, 1996**

[30] **Foreign Application Priority Data**

Apr. 18, 1996 [DE] Germany ..... M 96 03 421

[51] **LOC (6) Cl.** ..... **26-05**

[52] **U.S. Cl.** ..... **D26/63**

[58] **Field of Search** ..... D26/24, 63, 65;  
362/269, 275, 287, 418, 419, 427

[56] **References Cited**

**U.S. PATENT DOCUMENTS**

D. 205,624	8/1966	Pritchett	.....	D26/63 X
D. 214,941	8/1969	Hilzen	.....	D26/63
D. 339,649	9/1993	Klosser	.....	D26/63
D. 355,501	2/1995	Roos	.....	D26/63

**OTHER PUBLICATIONS**

Azmet 3 lighting ad, front page, floodlight, Nov. 1986.  
Interiors magazine, p. 97, Ramsbausch "Lite-Pak" spotlight,  
Feb. 1981.

*Primary Examiner*—Susan J. Lucas

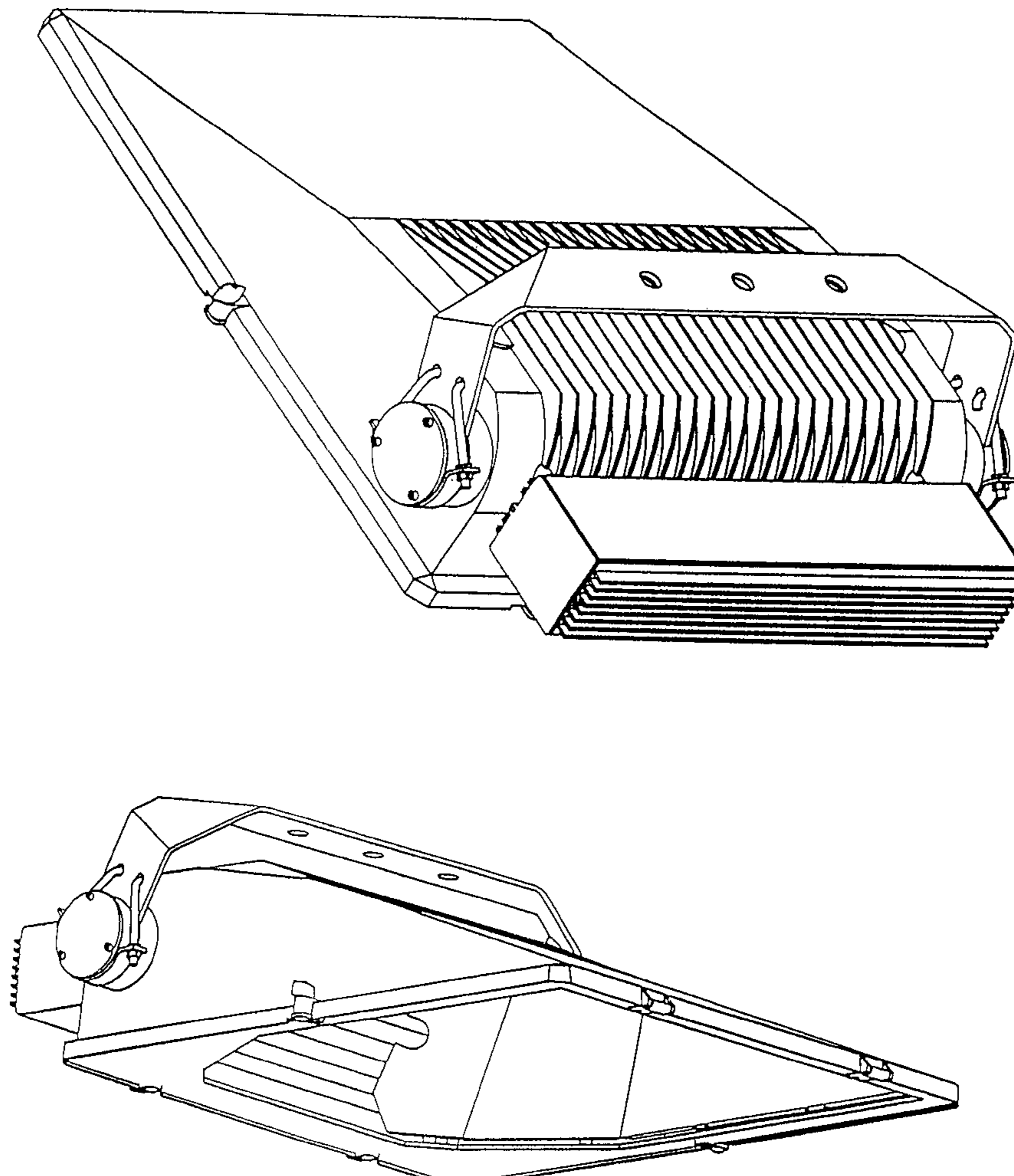
[57] **CLAIM**

The ornamental design for a lighting fixture, as shown and described.

**DESCRIPTION**

FIG. 1 is a rear top perspective view of the lighting fixture according to the invention;  
FIG. 2 is a left bottom perspective view thereof;  
FIG. 3 is a bottom view thereof;  
FIG. 4 is a left side view thereof;  
FIG. 5 is a right side view thereof;  
FIG. 6 is a top view thereof;  
FIG. 7 is a front view thereof; and,  
FIG. 8 is a rear view thereof.

**1 Claim, 5 Drawing Sheets**



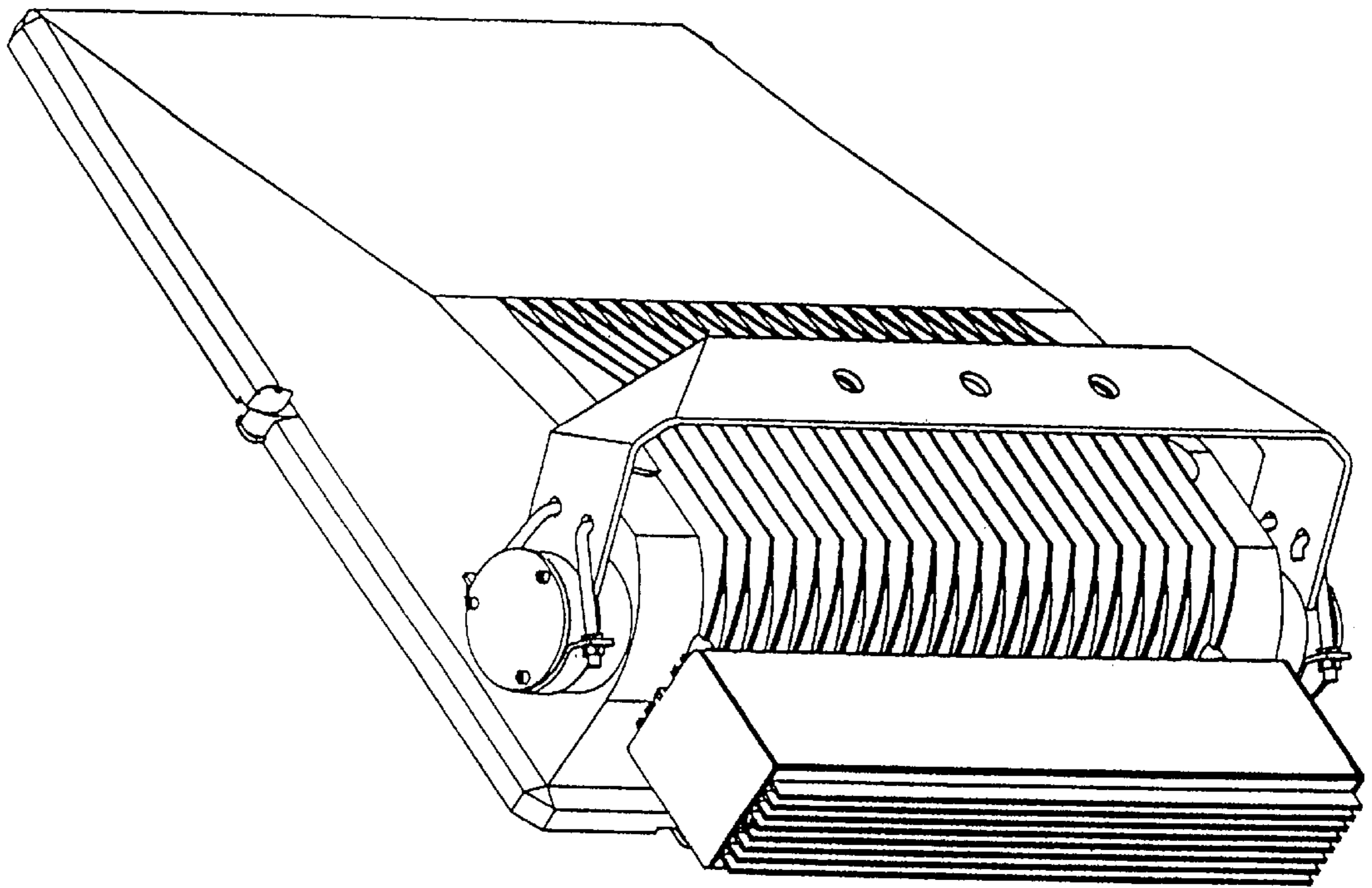


FIG. 1

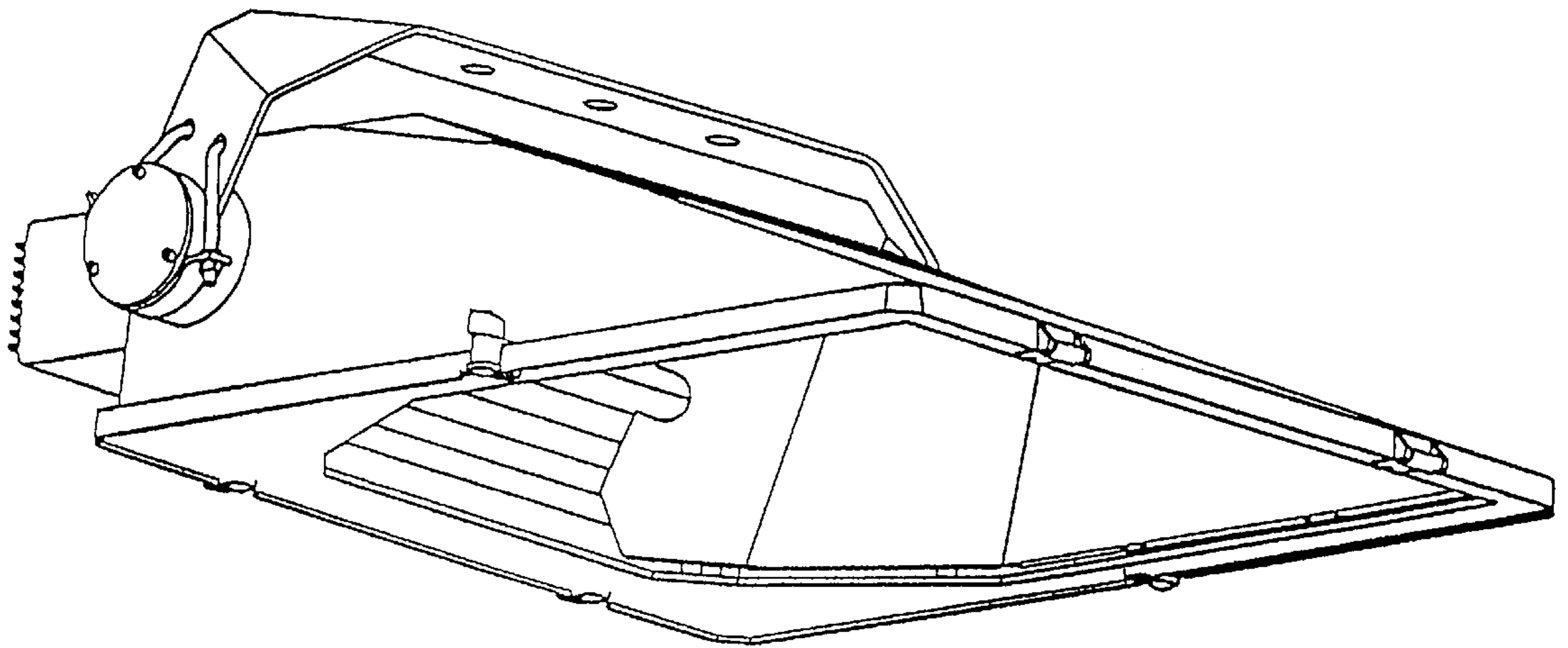


FIG. 2

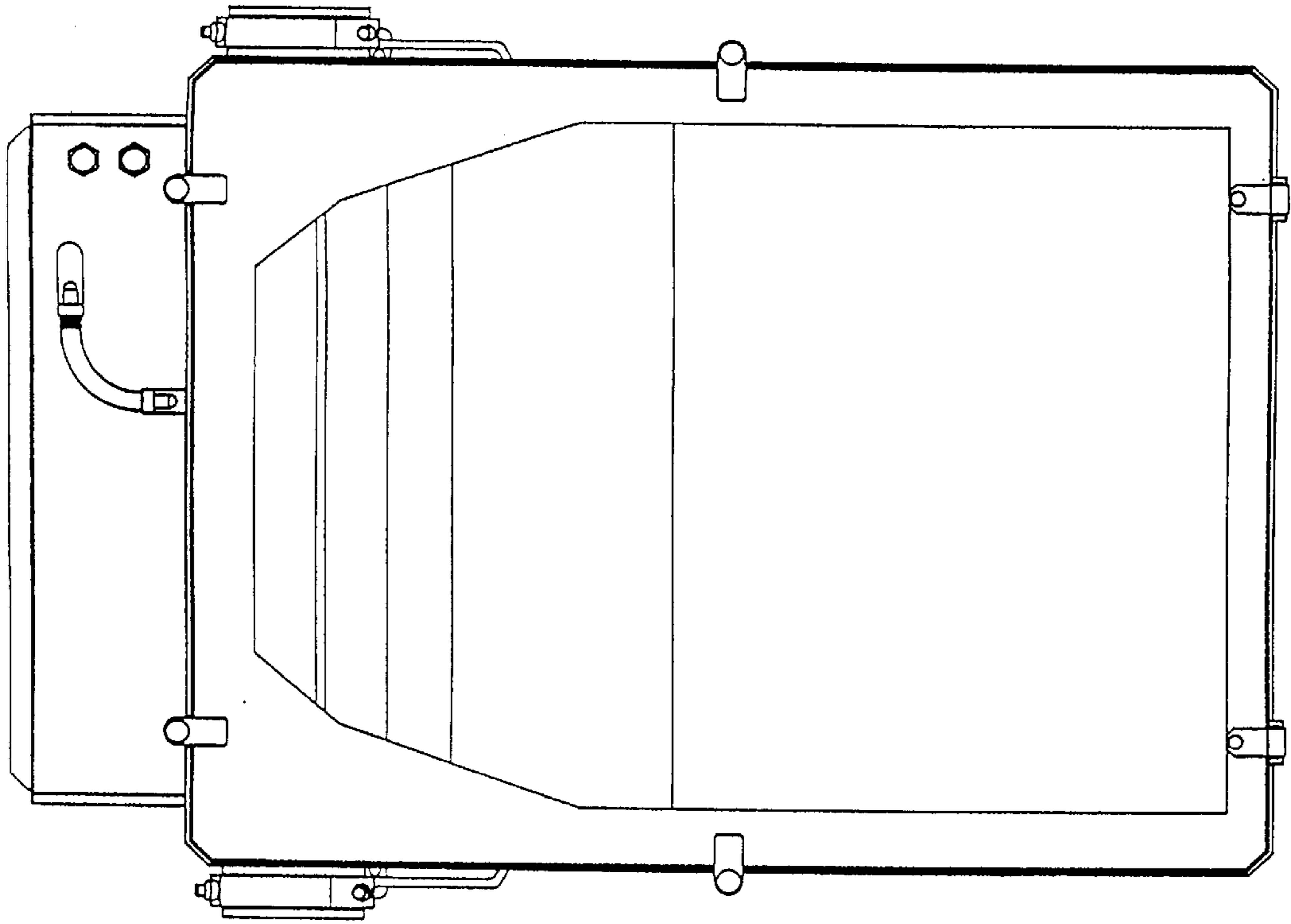


FIG. 3

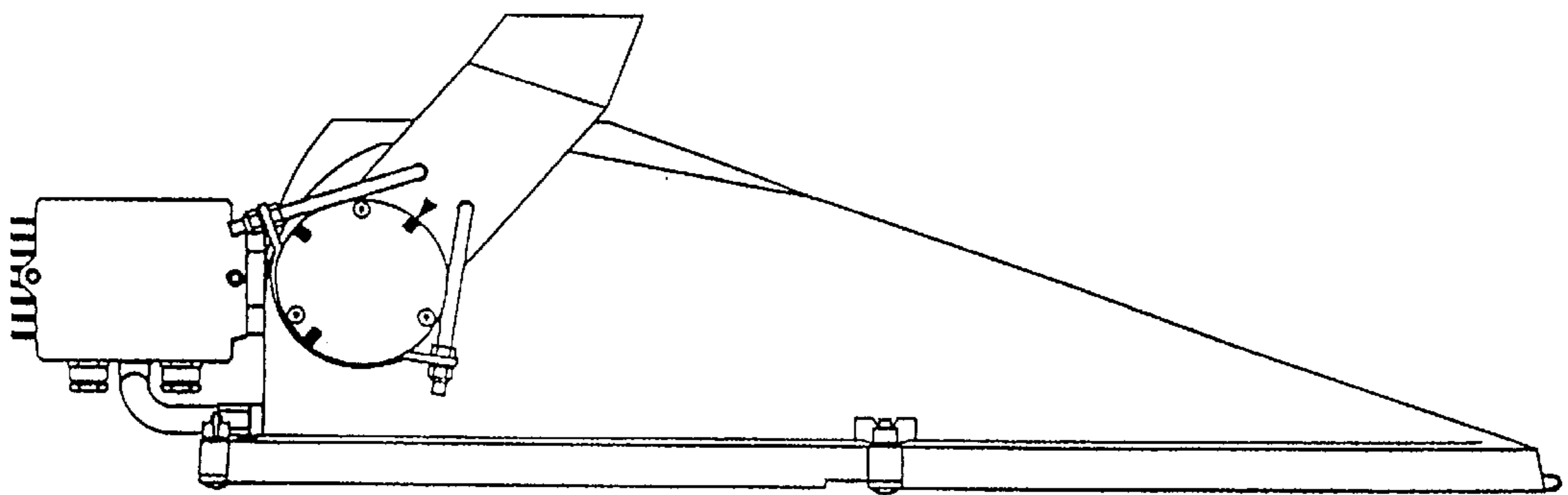


FIG. 4

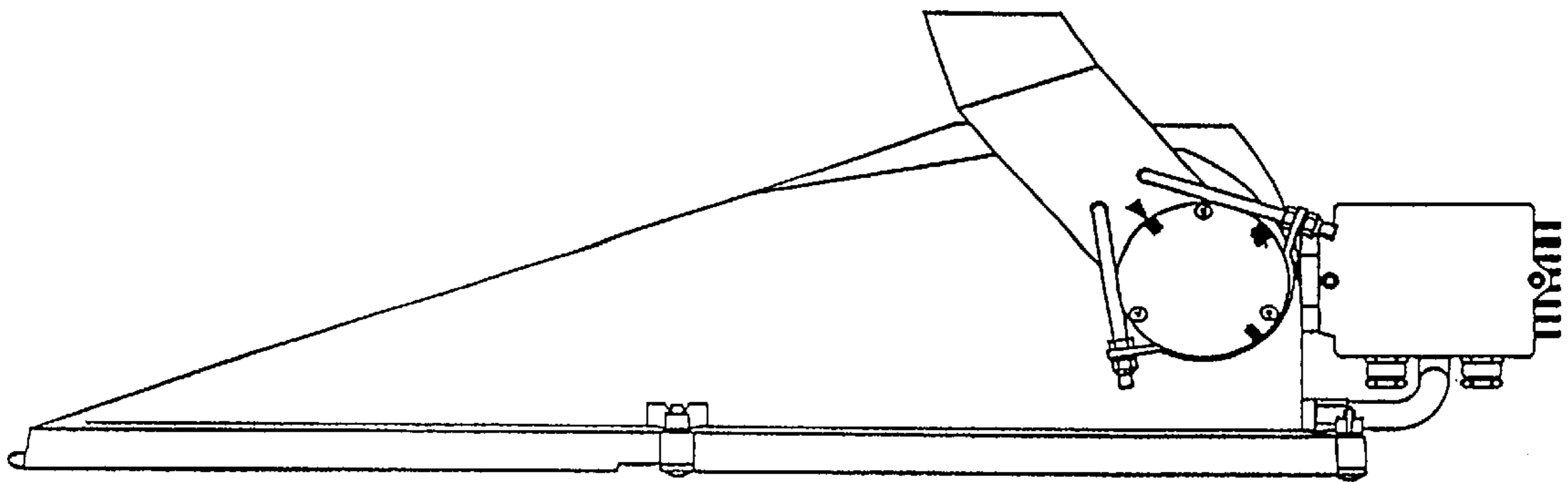


FIG. 5

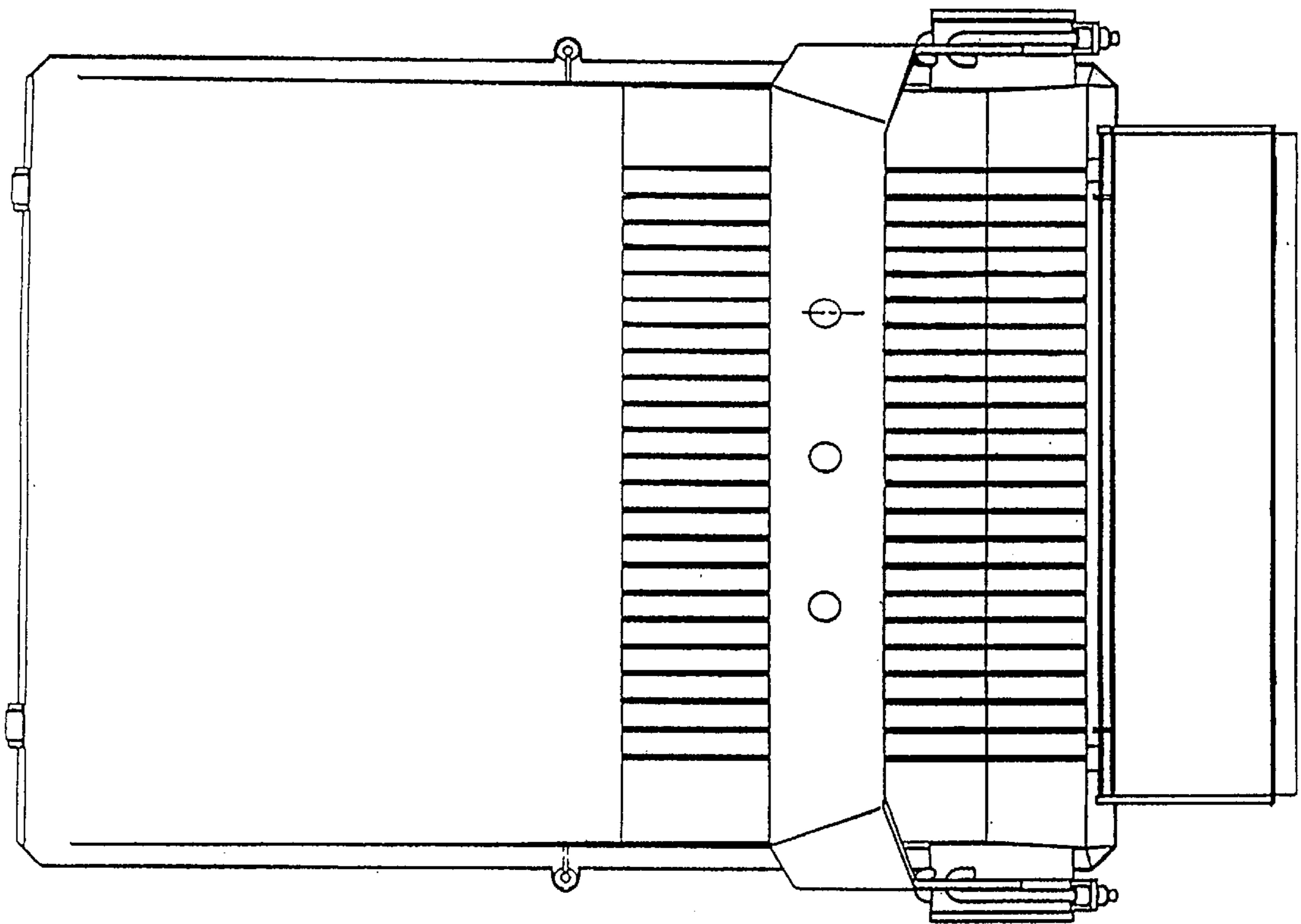


FIG. 6

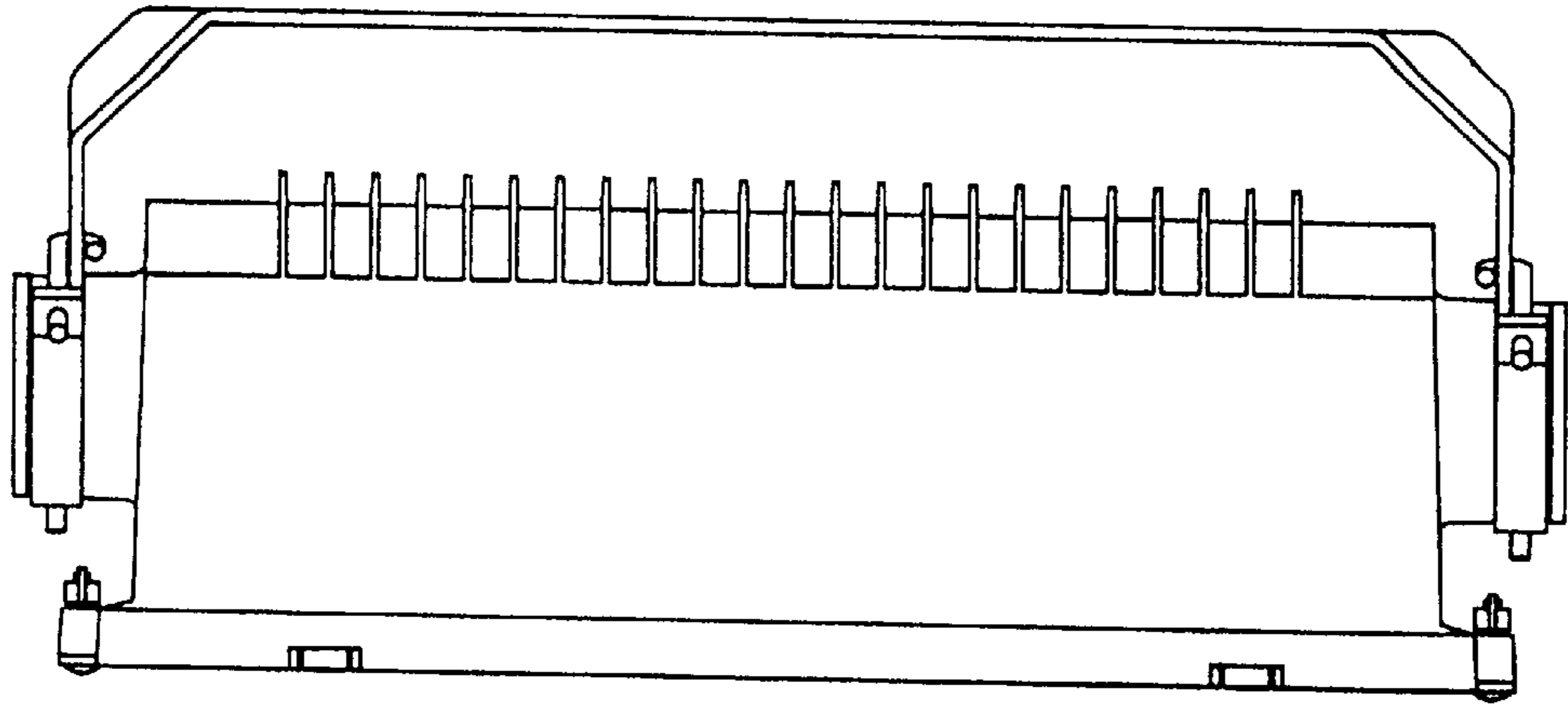


FIG. 7

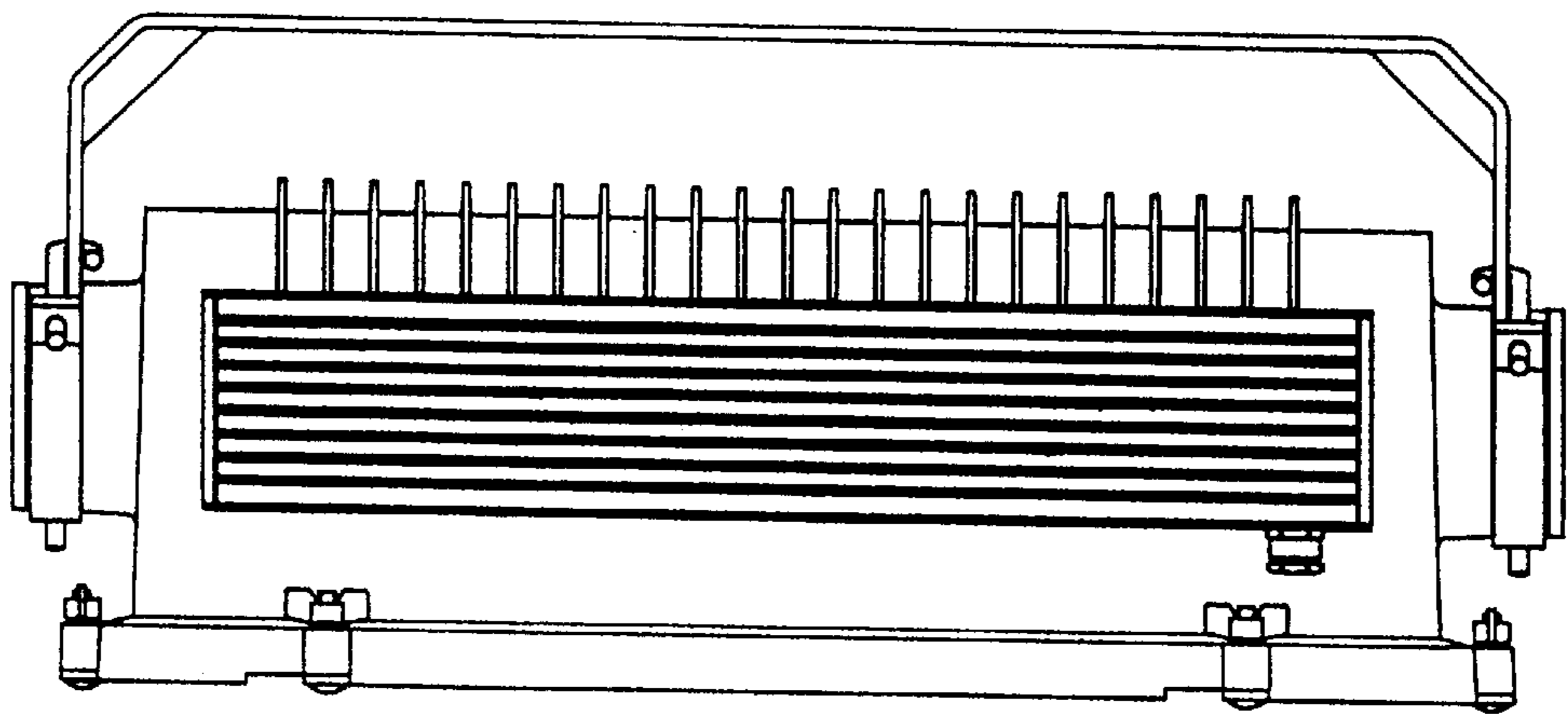


FIG. 8