



US00D411021S

United States Patent [19]
Chapman et al.

[11] **Patent Number: Des. 411,021**
[45] **Date of Patent: ** Jun. 15, 1999**

[54] **METAL WALL STUD**

D. 323,715 2/1992 Bodurow et al. D25/119
5,605,024 2/1997 Sucato et al. 53/733.2

[76] Inventors: **Lawrence Thomas Chapman, P.O.**
Box 124, Potrero, Calif. 91963;
Kenneth R. Bass, deceased, late of El
Cajon, Calif., by Donna R. Bass,
executor

Primary Examiner—Doris Clark
Attorney, Agent, or Firm—Brown, Martin, Haller &
McClain

[**] Term: **14 Years**

[57] **CLAIM**

The ornamental design for a metal wall stud, as shown and described.

[21] Appl. No.: **29/076,518**

[22] Filed: **Sep. 12, 1997**

DESCRIPTION

Related U.S. Application Data

[63] Continuation-in-part of application No. 08/556,894, Nov. 3, 1995, Pat. No. 5,664,388, which is a continuation-in-part of application No. 08/413,544, Mar. 30, 1995, Pat. No. 5,692,353, which is a continuation-in-part of application No. 08/190,643, Feb. 2, 1994, Pat. No. 5,499,480, which is a continuation-in-part of application No. 08/040,494, Mar. 31, 1993, abandoned.

FIG. 1 is a front perspective view of a metal wall stud showing our new design;
FIG. 2 is a rear elevational view thereof;
FIG. 3 is an end view thereof;
FIG. 4 is a bottom plan view thereof;
FIG. 5 is an enlarged sectional view taken on line 5—5 of FIG. 4;
FIG. 6 is a front perspective view of a second embodiment of a metal wall stud;
FIG. 7 is a rear elevational view of the configuration of FIG. 6;
FIG. 8 is an end view thereof; and,
FIG. 9 is a bottom plan view thereof.
The metal wall stud is broken away to indicate indefinite length.

[51] **LOC (6) Cl.** **25-01**

[52] **U.S. Cl.** **D25/122**

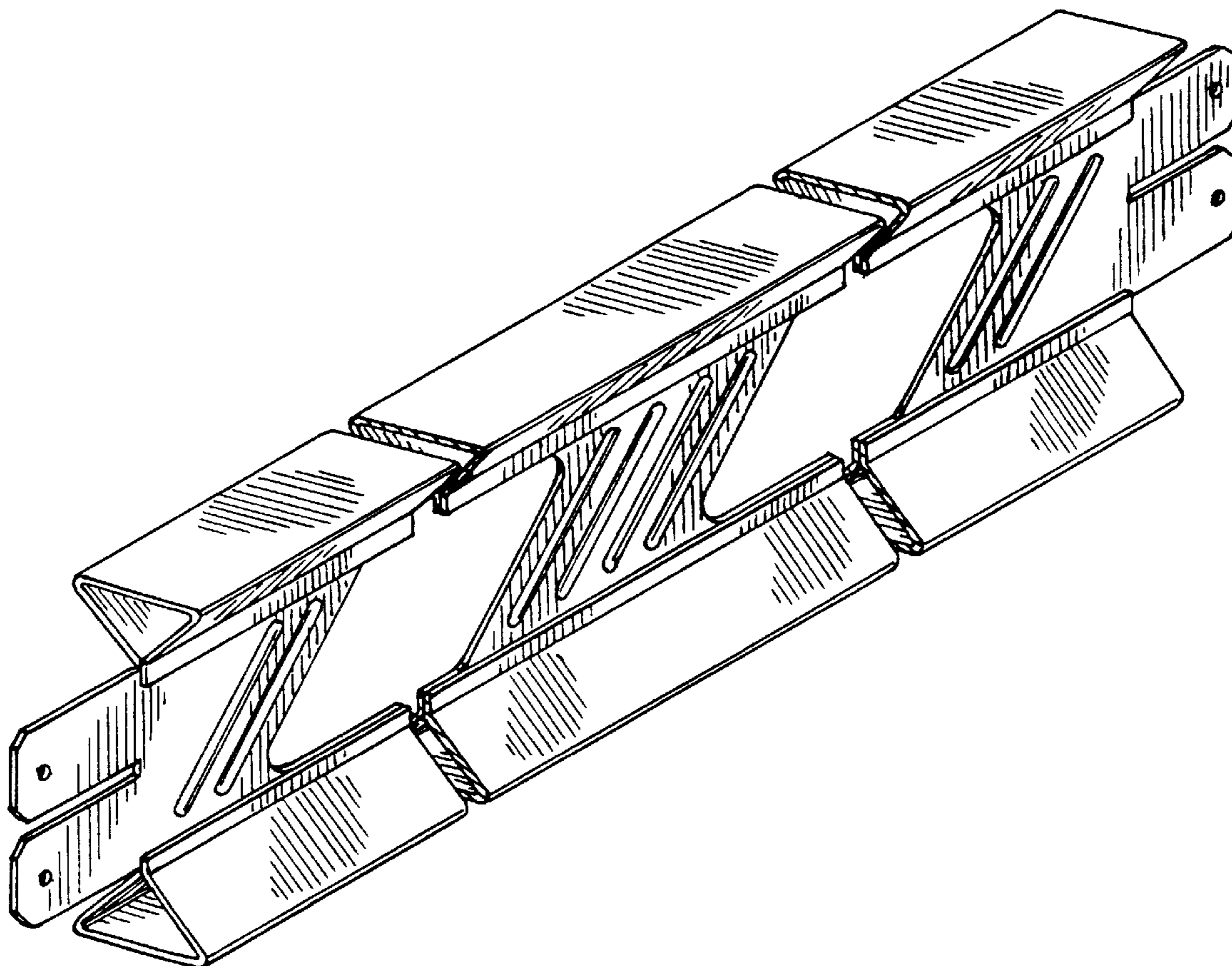
[58] **Field of Search** D25/119, 164,
D25/122; 52/733.2, 459, 461, 481.1

[56] **References Cited**

U.S. PATENT DOCUMENTS

D. 265,687 8/1982 Bowman D25/122

1 Claim, 2 Drawing Sheets



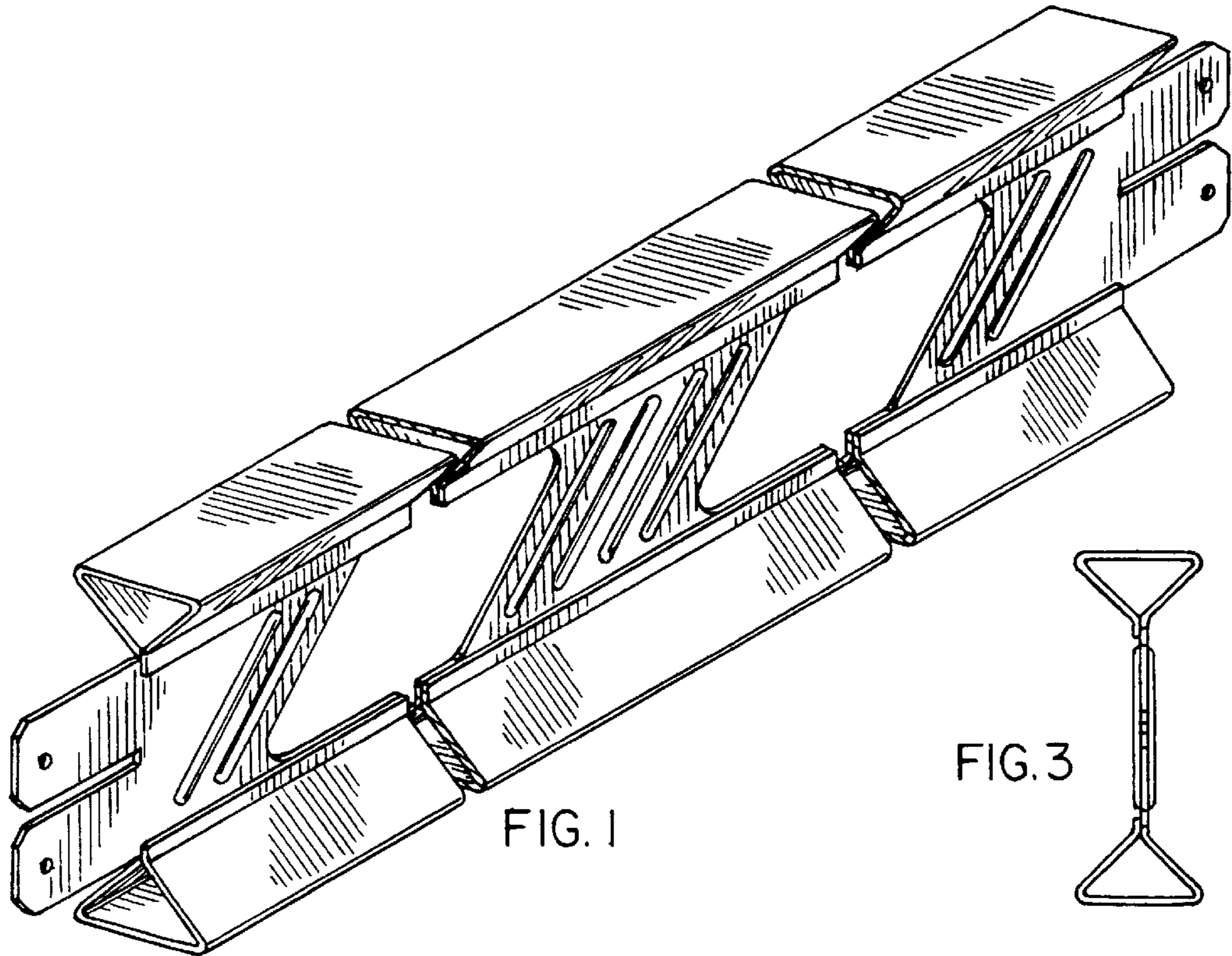


FIG. 1

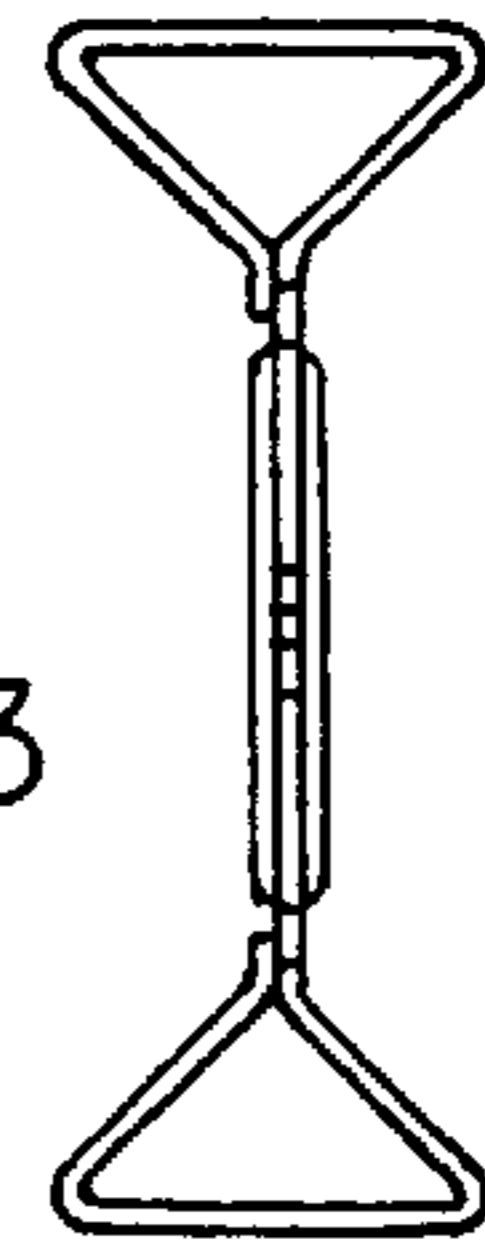


FIG. 3

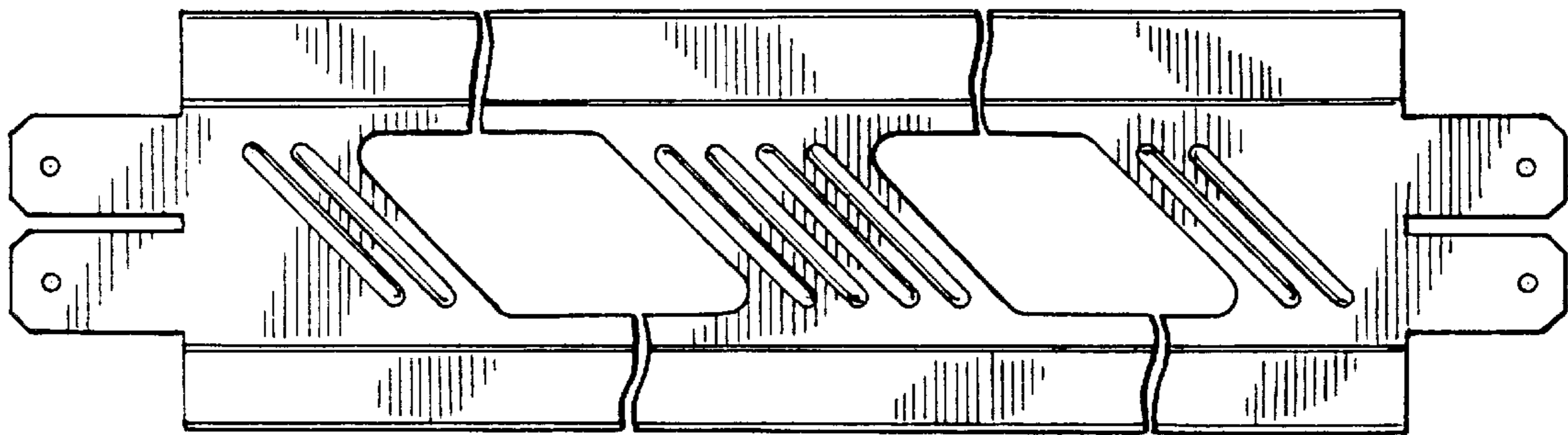


FIG. 2

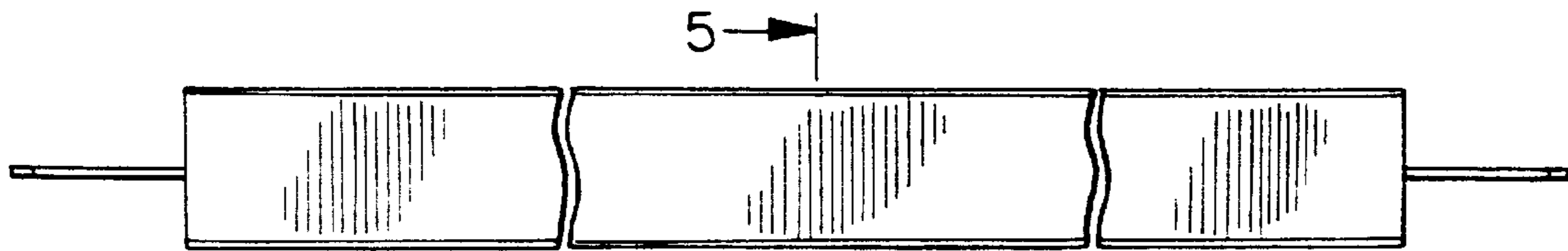


FIG. 4

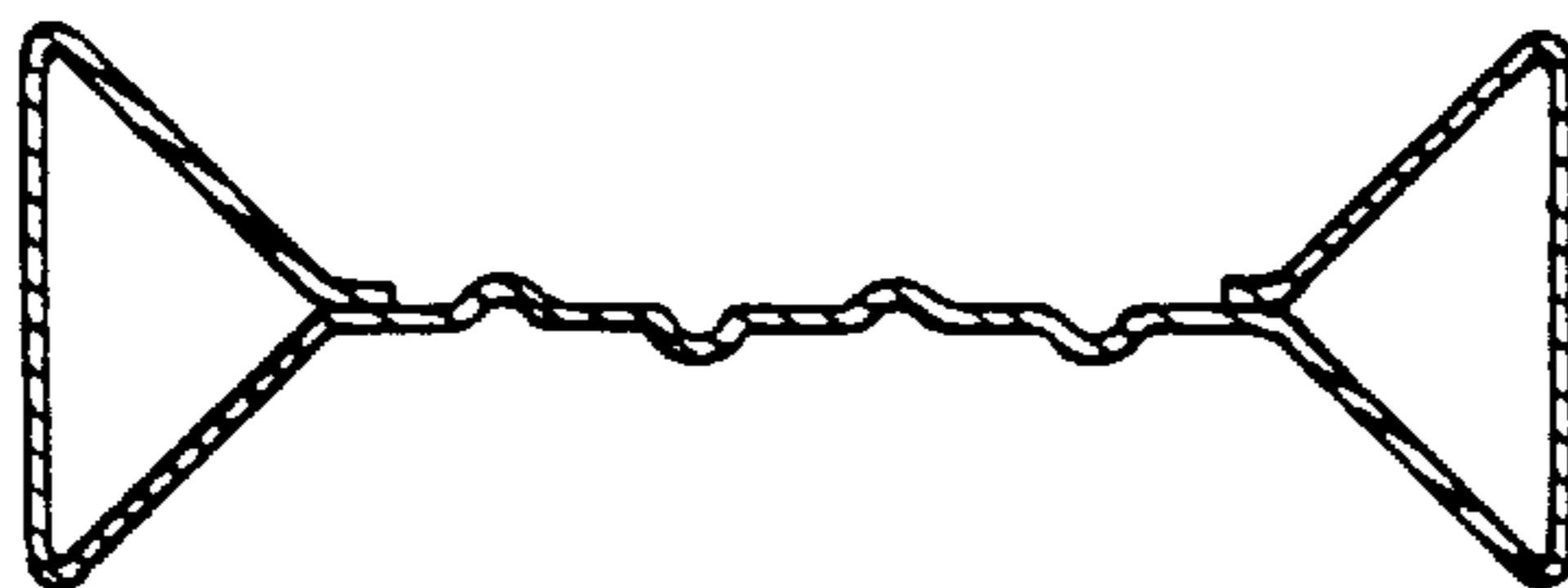


FIG. 5

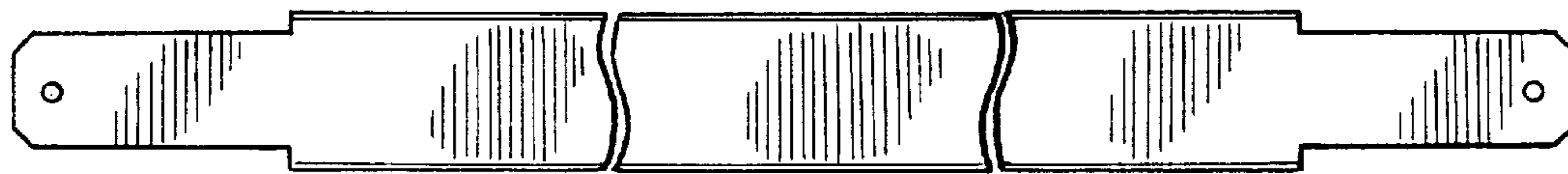
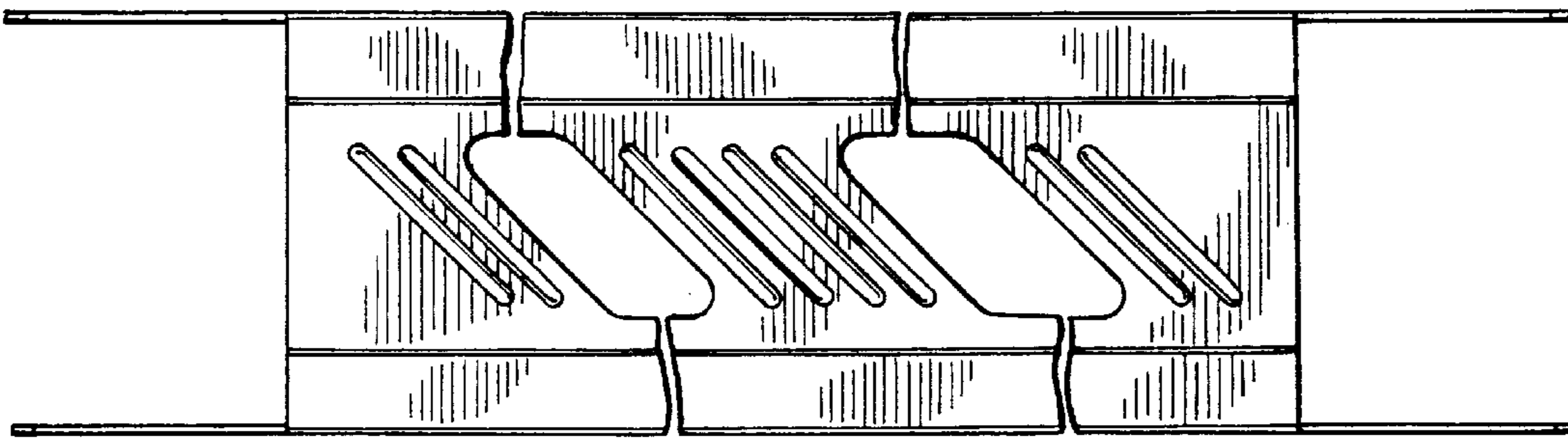
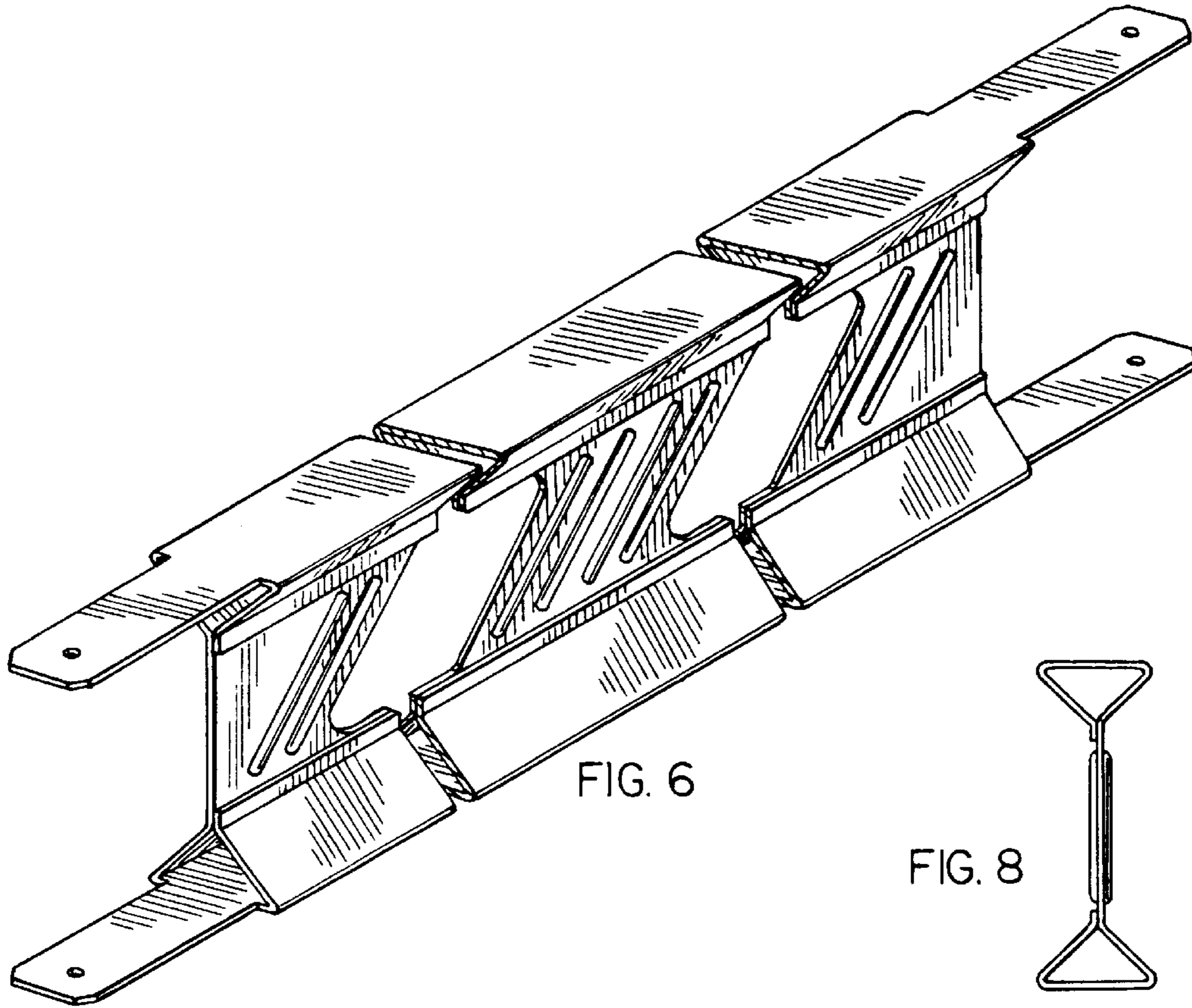


FIG. 7

FIG. 9