



US00D411018S

United States Patent [19] Nowell

[11] **Patent Number: Des. 411,018**
[45] **Date of Patent: ** Jun. 15, 1999**

[54] **FRAME CORNER BRACKET**

[75] Inventor: **Jeffrey A. Nowell**, Hudson, Ohio

[73] Assignee: **Patio Enclosures, Inc.**, Macedonia, Ohio

[**] Term: **14 Years**

[21] Appl. No.: **29/082,551**

[22] Filed: **Jan. 26, 1998**

[51] **LOC (6) Cl.** **25-02**

[52] **U.S. Cl.** **D25/61**

[58] **Field of Search** D25/60, 52, 102,
D25/61; D6/300; 52/204.57, 204.58, 656.9;
403/205, 295; 49/501, 504, 506

[56] **References Cited**

U.S. PATENT DOCUMENTS

D. 260,340	8/1981	Hardy .	
D. 286,434	10/1986	Schmidt .	
D. 288,244	2/1987	Schmidt .	
D. 307,078	4/1990	Guillemet .	
D. 313,170	12/1990	Nye .	
D. 362,509	9/1995	Russell	D25/61
1,852,866	4/1932	Weitzel .	
3,131,793	5/1964	Bohn .	
3,784,043	1/1974	Presnick .	
4,037,378	7/1977	Collins et al. .	
4,040,755	8/1977	Jorgensen et al. .	

4,136,496	1/1979	Molyneux .	
4,145,150	3/1979	Rafeld .	
4,164,105	8/1979	Herbst et al. .	
4,205,486	6/1980	Guarnacci .	
4,570,406	2/1986	DiFazio .	
5,105,581	4/1992	Slocomb, Jr. .	
5,450,701	9/1995	White	52/656.9
5,547,011	8/1996	Dotson et al.	52/656.9

FOREIGN PATENT DOCUMENTS

7 610 404	3/1978	Netherlands .
2 161 193	1/1986	United Kingdom .

Primary Examiner—Doris Clark
Attorney, Agent, or Firm—Fay, Sharpe, Beall, Fagan, Minnich & McKee, LLP

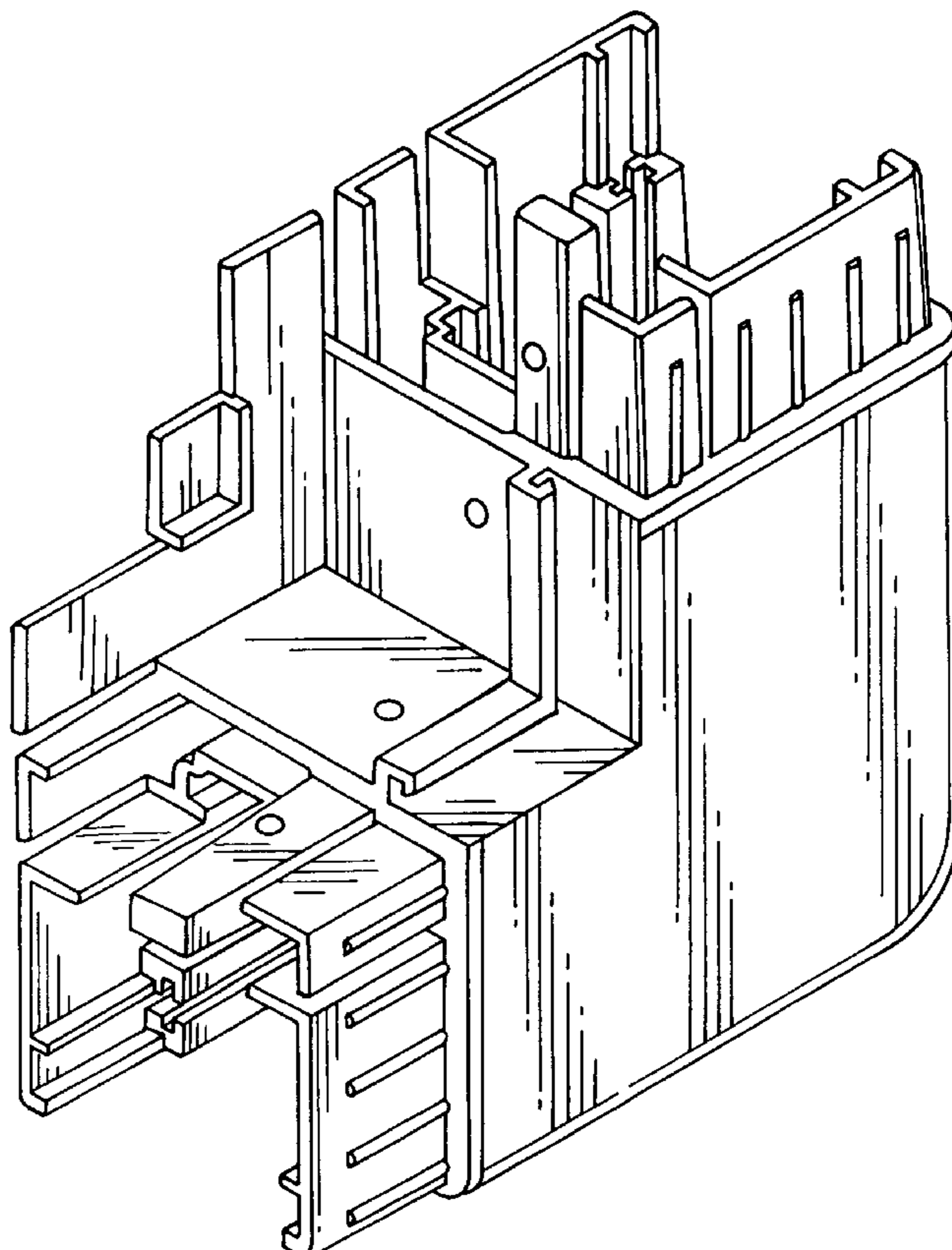
[57] **CLAIM**

The ornamental design for a frame corner bracket, as shown

DESCRIPTION

FIG. 1 is a perspective view of the frame corner bracket showing my new design;
FIG. 2 is a side elevational view from the right side thereof;
FIG. 3 is a front elevational view thereof;
FIG. 4 is a top plan view thereof;
FIG. 5 is a side elevational view from the left side thereof;
FIG. 6 is a rear elevational view thereof; and,
FIG. 7 is a bottom plan view thereof.

1 Claim, 3 Drawing Sheets



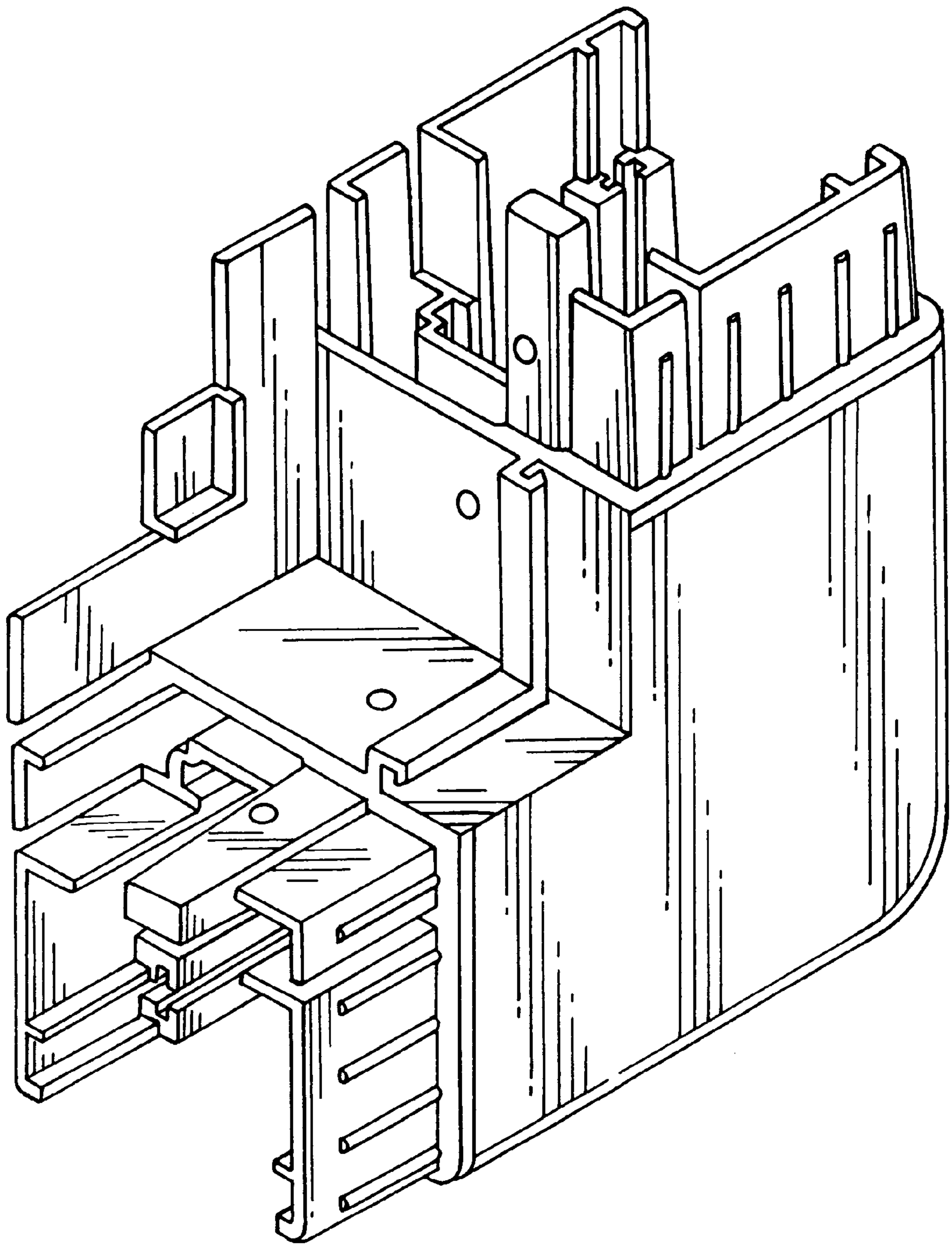


FIG. 1

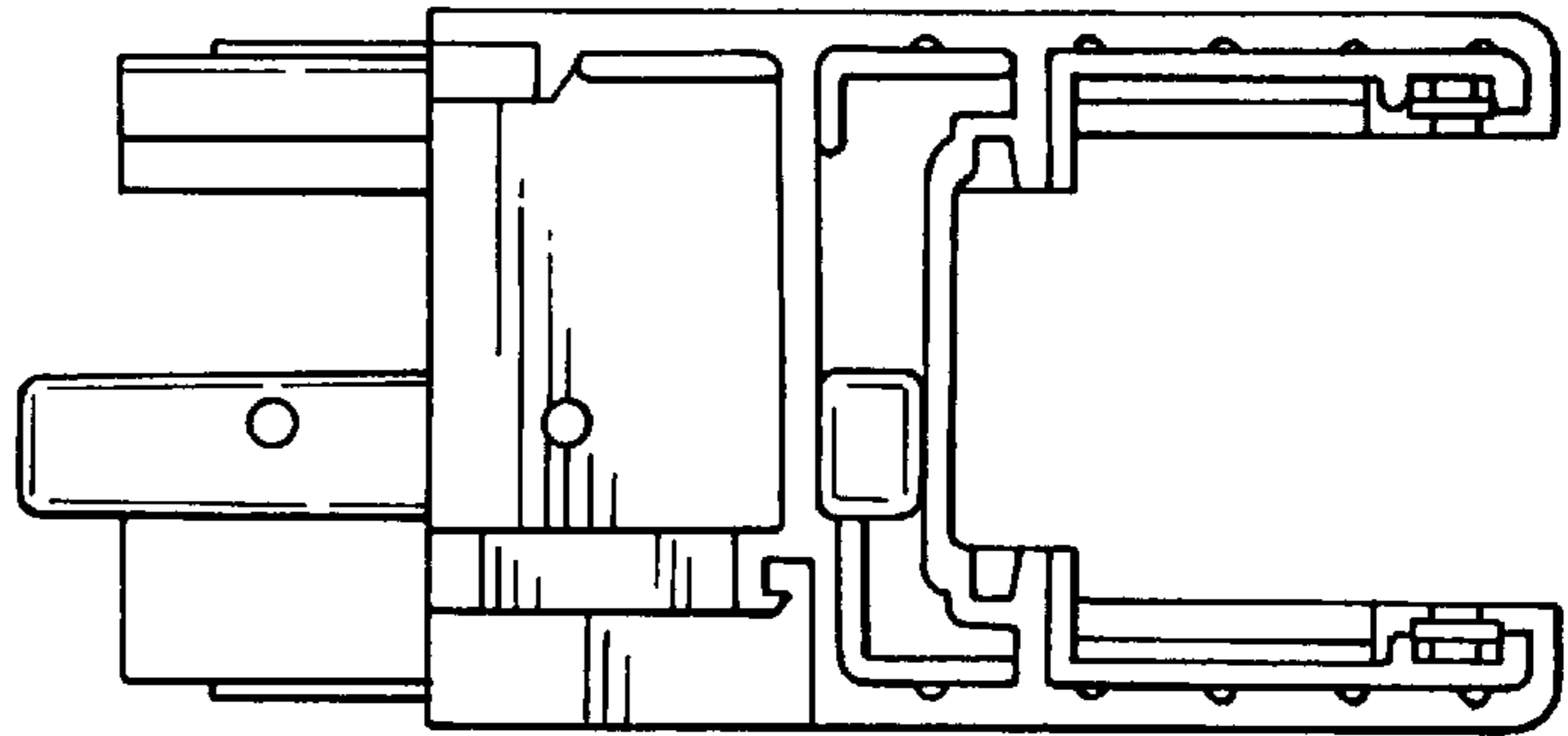


FIG. 4

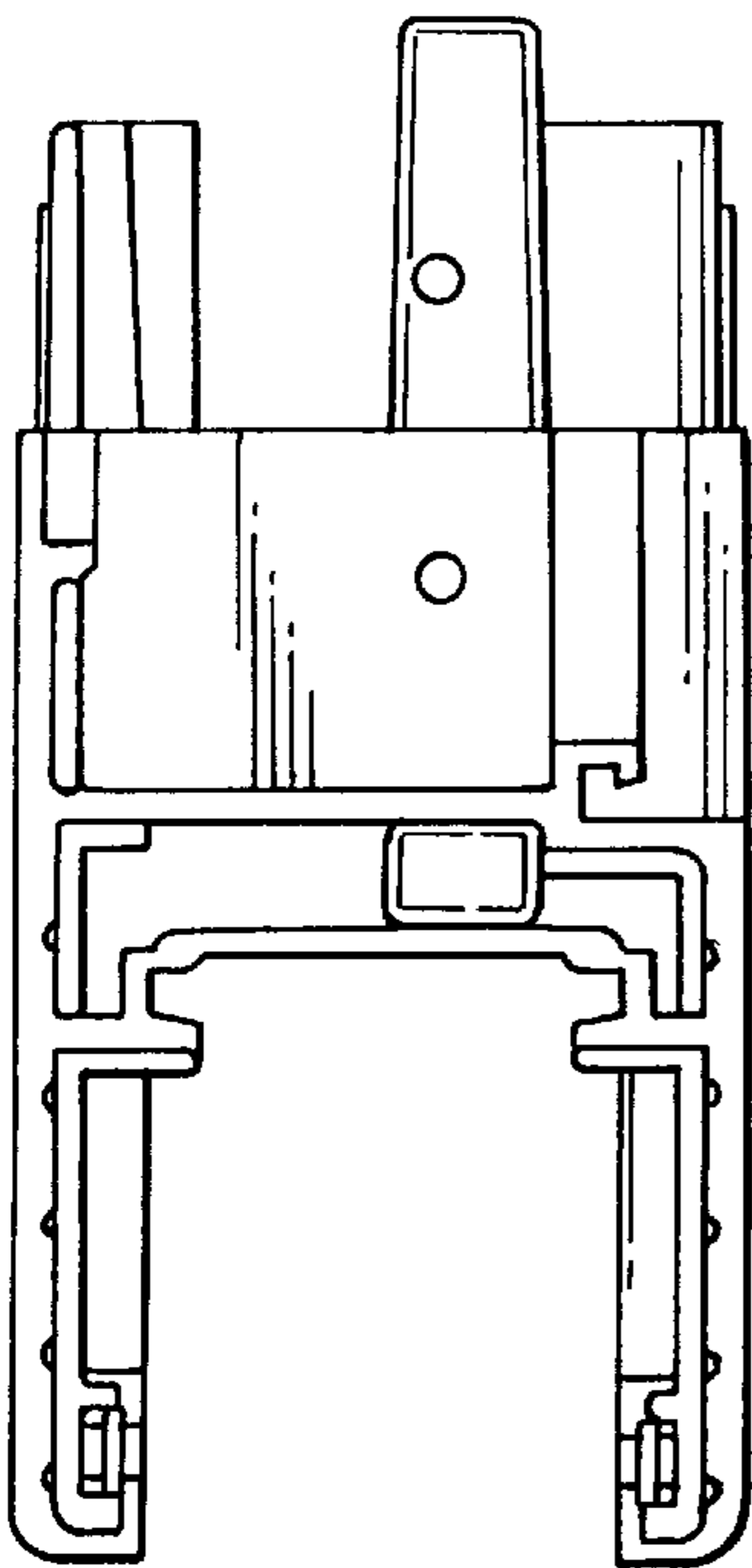


FIG. 3

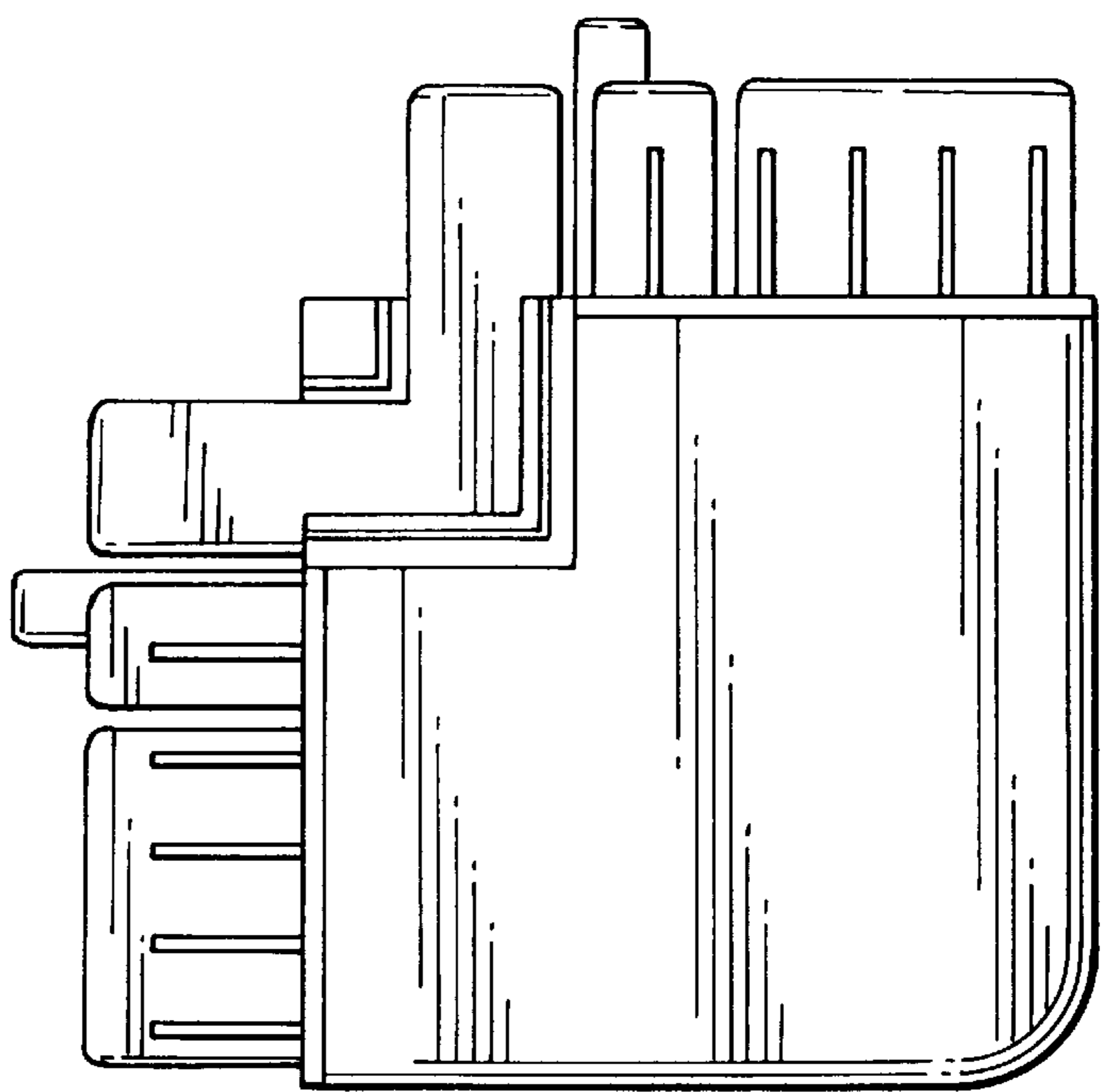


FIG. 2

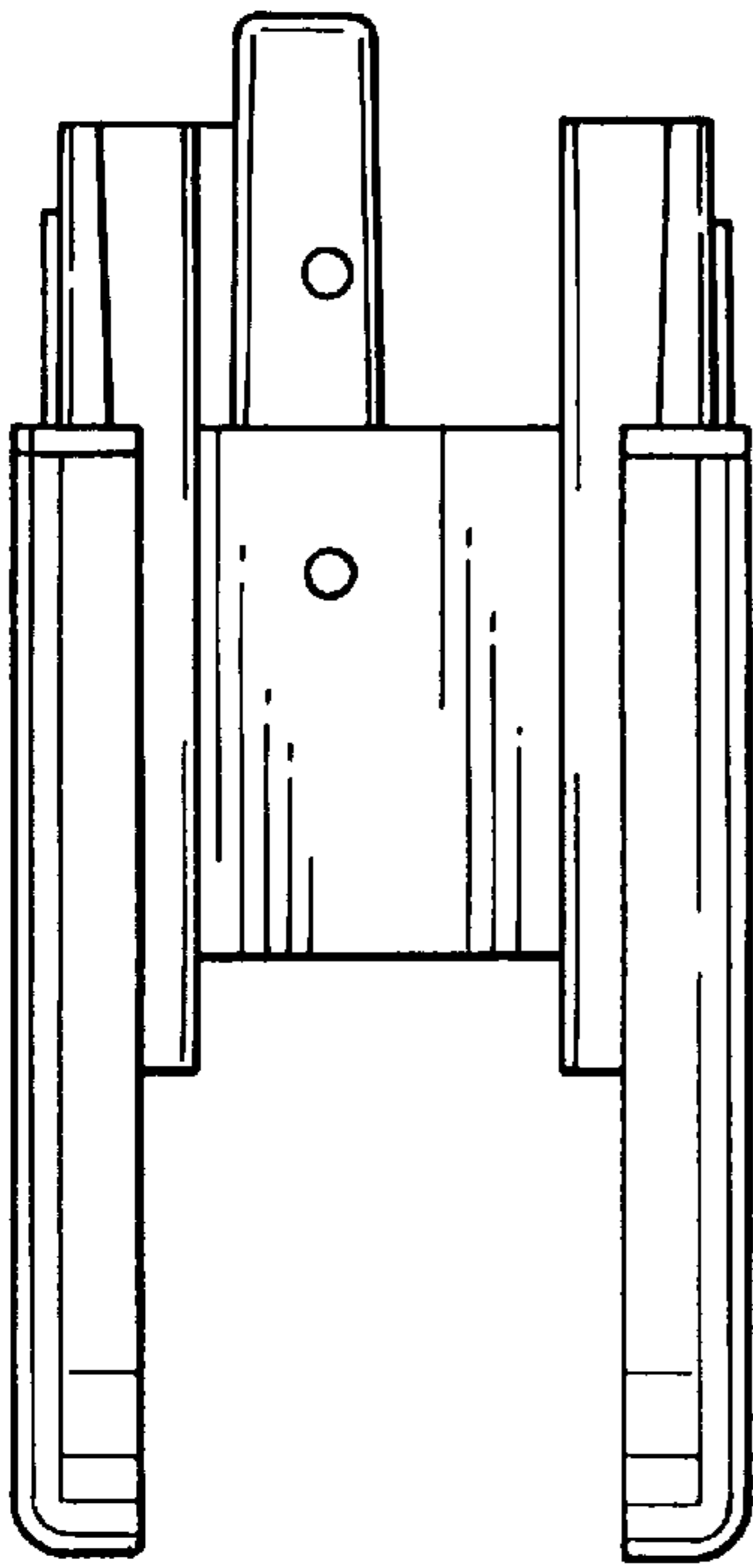


FIG. 6

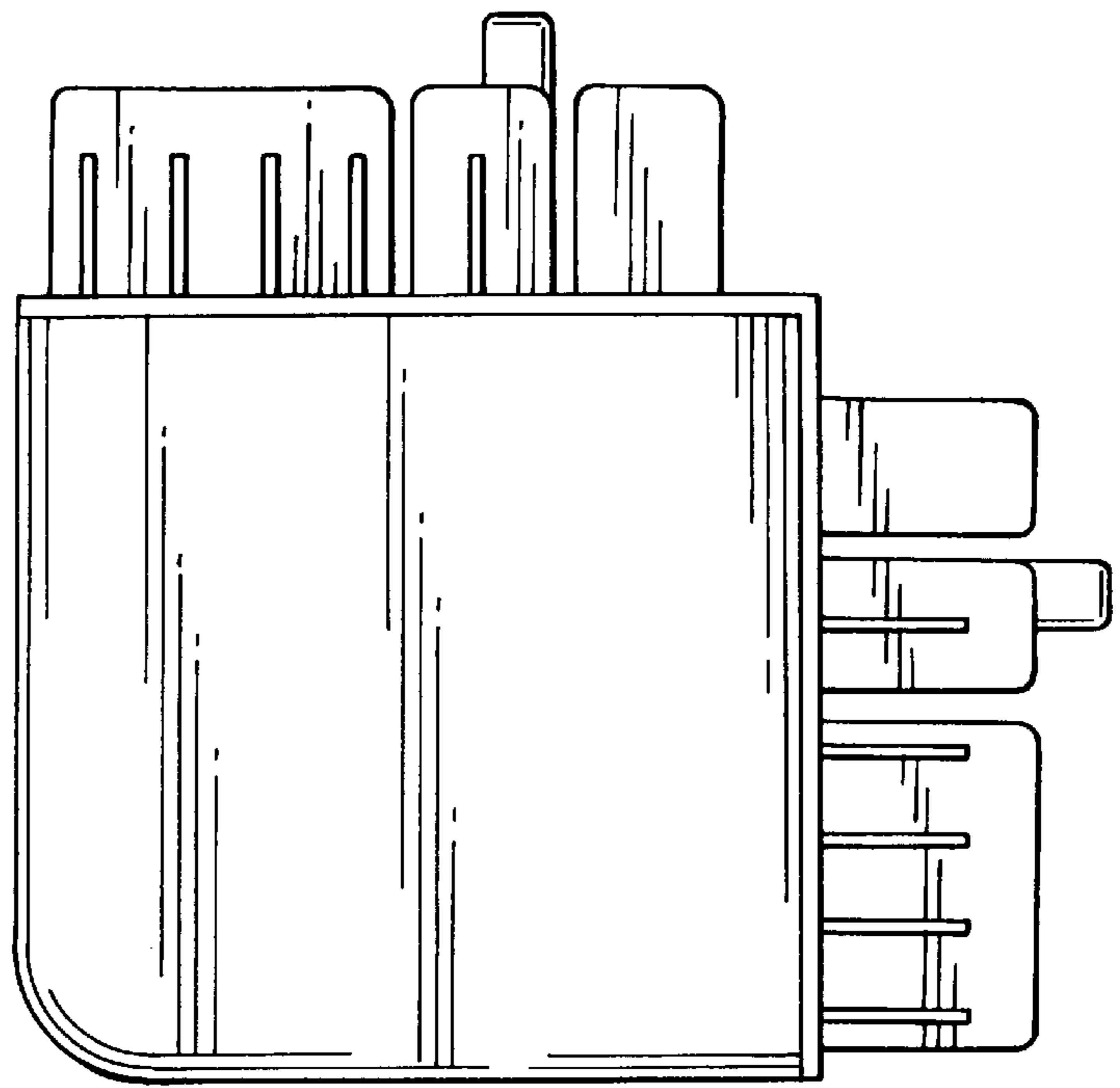


FIG. 5

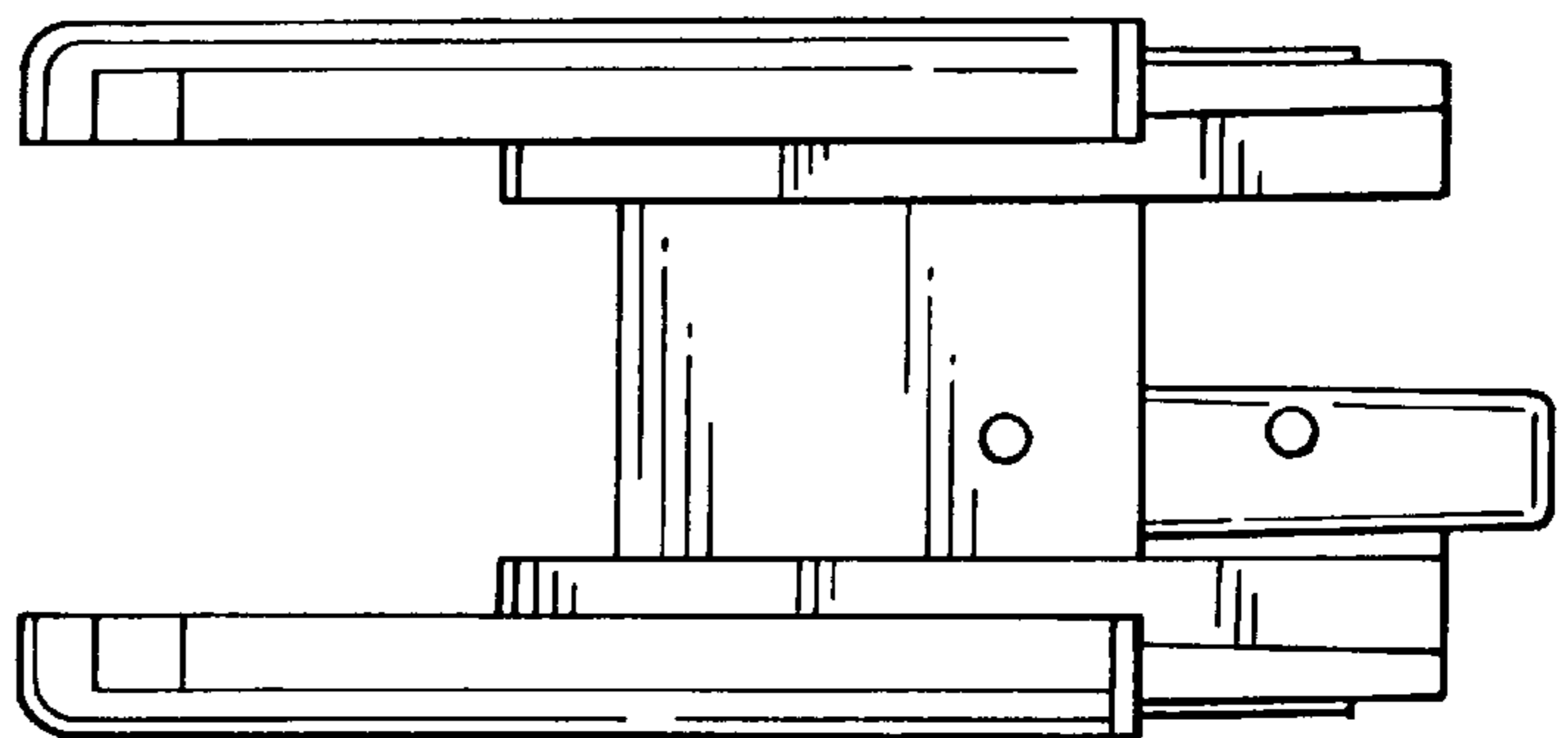


FIG. 7