



US00D411014S

United States Patent [19]

Berger et al.

[11] Patent Number: **Des. 411,014**

[45] Date of Patent: **** Jun. 15, 1999**

[54] CONTAINER FOR REAGENT

4,371,498	2/1983	Scordato et al.	422/102
4,515,753	5/1985	Smith et al.	422/102
5,501,982	3/1996	Saldivar, Jr. et al.	422/102

[75] Inventors: **Robert L. Berger**, Bound Brook;
William M. Jameson, Cranbury; **Chris Robinson**, Lawrenceville, all of N.J.;
James R. Laskey, Chestertown, Md.;
Randolph Bradshaw, Brewster, N.Y.;
Andrew Oakes, Harrington Park, N.J.;
Nicholae Dumitrescu, Stamford, Conn.

Primary Examiner—Louis S. Zarfes
Assistant Examiner—Gregory Andoll
Attorney, Agent, or Firm—Andrew L. Klawitter, Esq.;
Rodman & Rodman

[73] Assignee: **Bayer Corporation**, Tarrytown, N.Y.

[**] Term: **14 Years**

[57] CLAIM

The ornamental design for a container for reagent, as shown and described.

[21] Appl. No.: **29/080,241**

DESCRIPTION

[22] Filed: **Dec. 5, 1997**

FIG. 1 is a front perspective view of a container for reagent showing our new design;

[51] LOC (6) Cl. **24-02**

[52] U.S. Cl. **D24/224; D24/223**

FIG. 2 is a front elevational view thereof, the opposite side elevational view being a mirror image of that shown;

[58] Field of Search D24/224 OR, 223,
D24/128, 129, 227, 229; 427/102, 104;
220/523, 526, 801, 805; D9/455, 517; 435/287.6,
288.1, 288.2

FIG. 3 is a top plan view thereof;

FIG. 4 is a side elevational view thereof, the opposite side elevational view being a mirror image of that shown; and,

FIG. 5 is a bottom plan view thereof.

[56] References Cited

U.S. PATENT DOCUMENTS

D. 270,568 9/1983 Armstrong D24/129

1 Claim, 3 Drawing Sheets

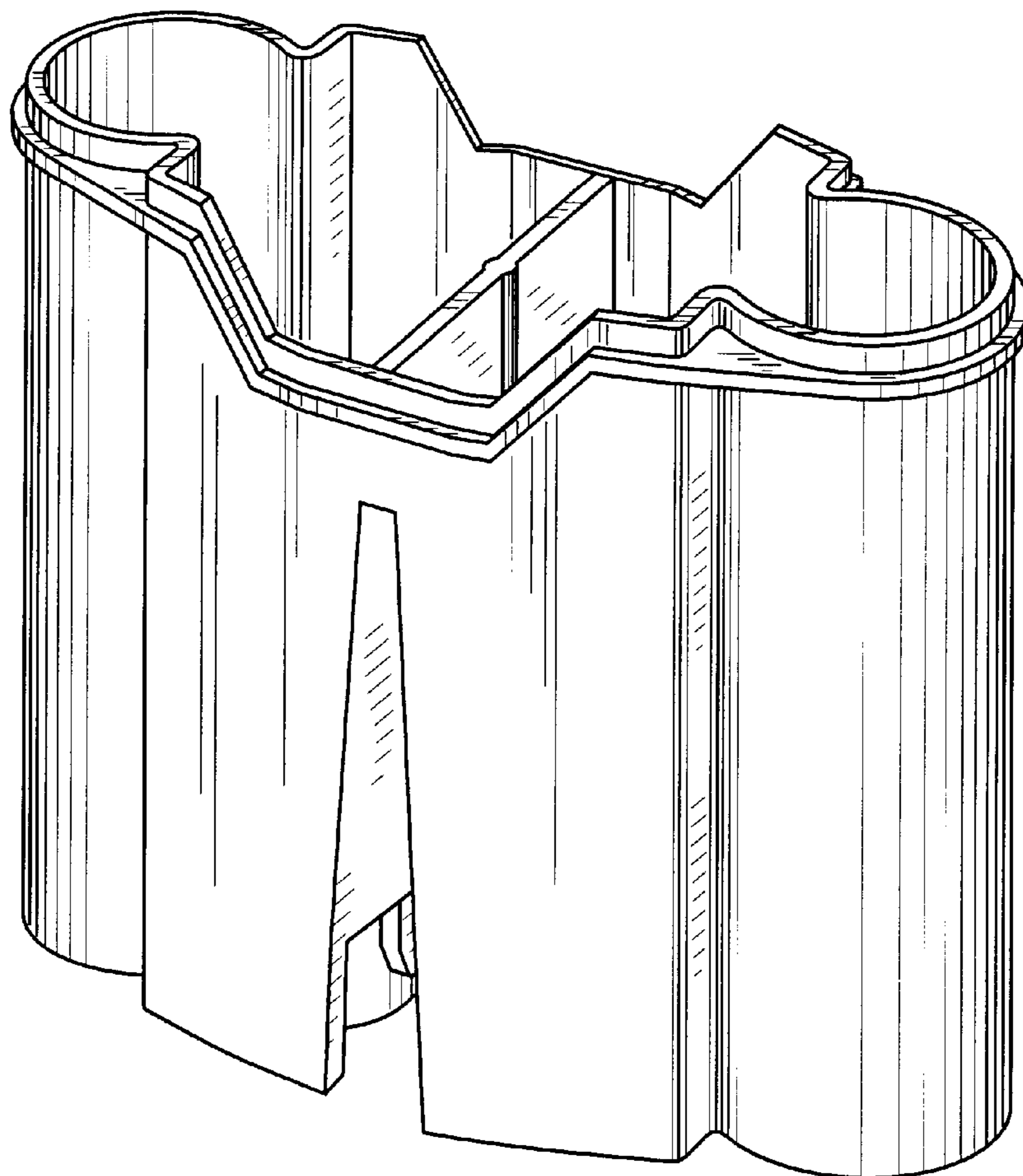


FIG. 1

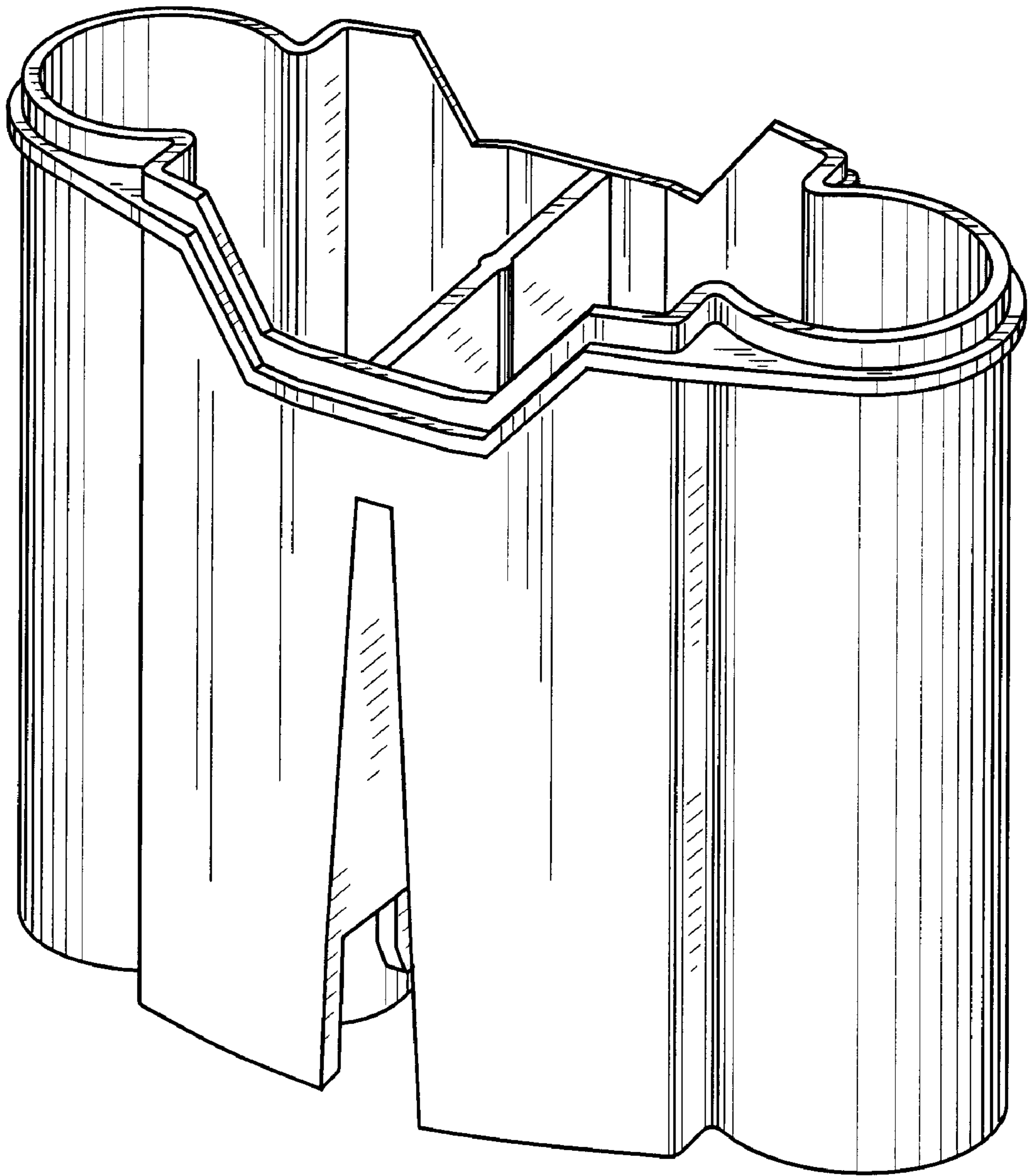


FIG. 2

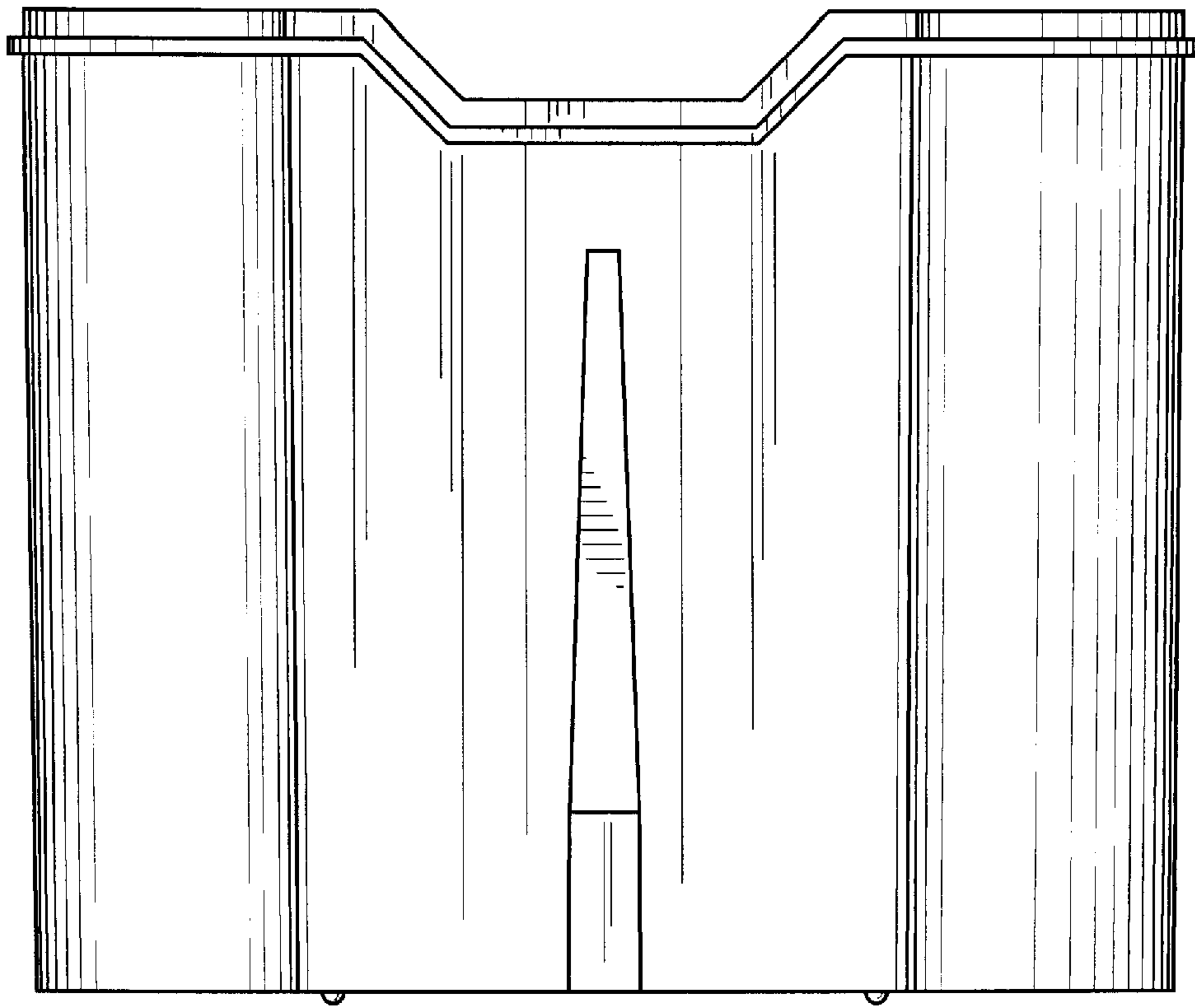


FIG. 3

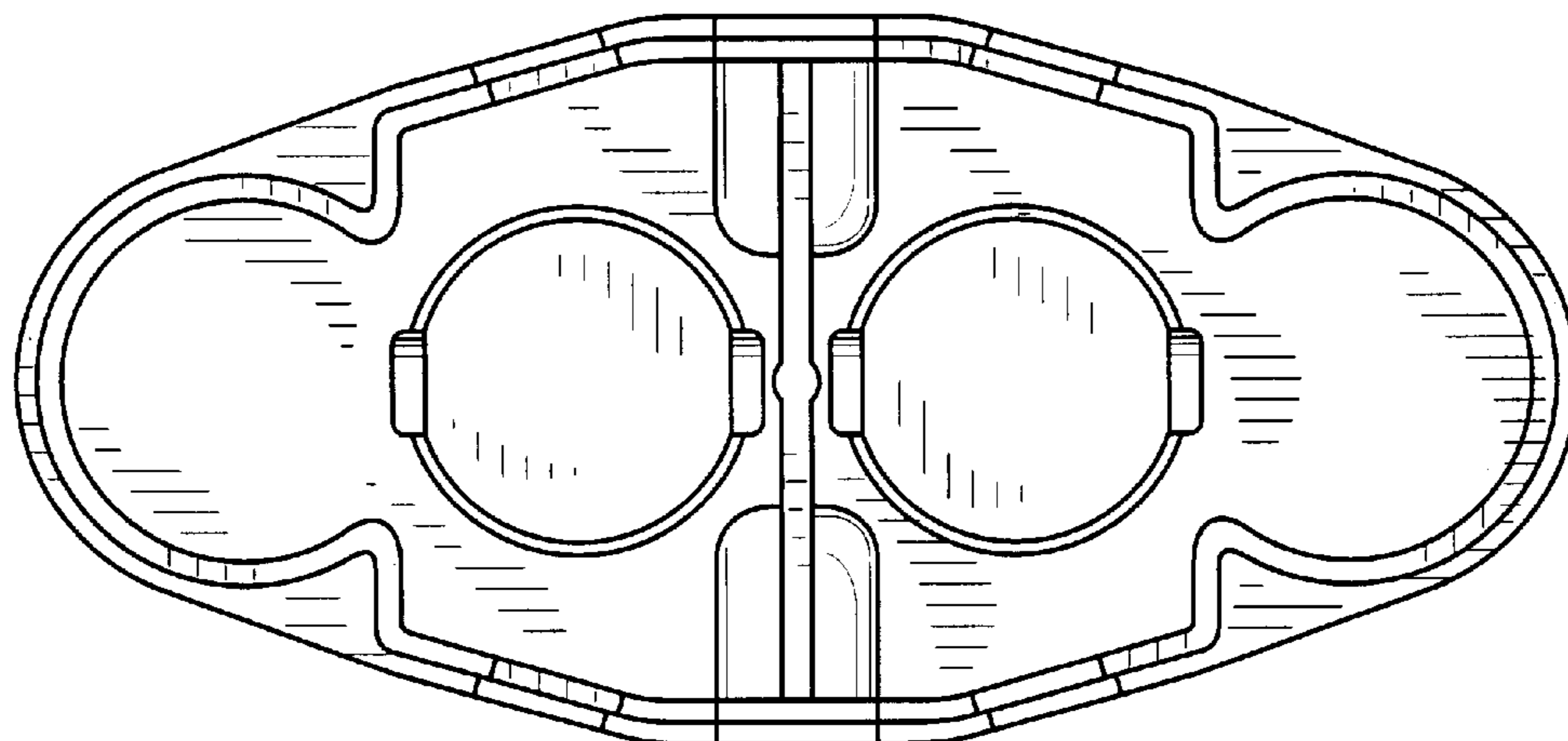


FIG. 4

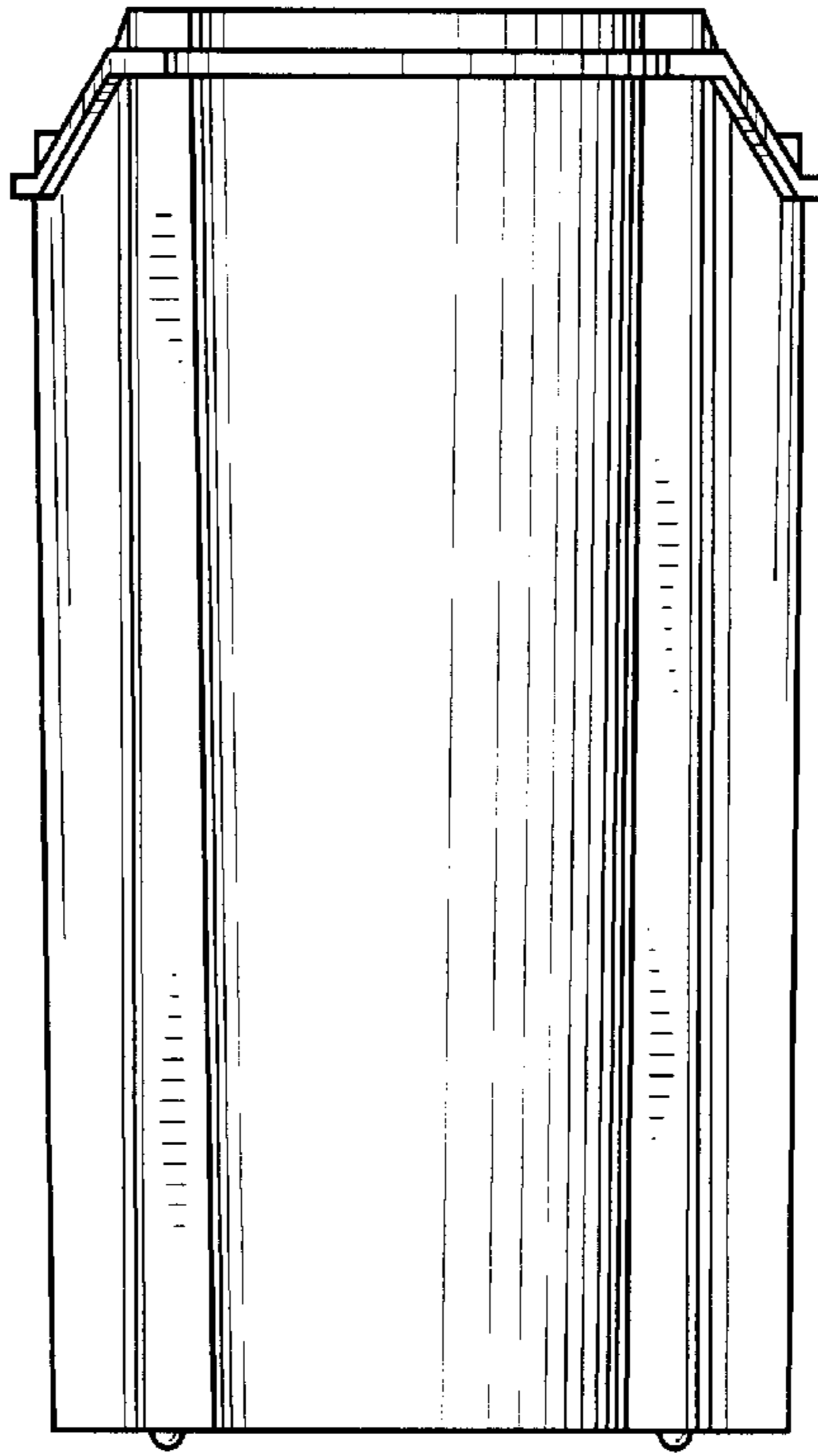


FIG. 5

