



US00D411012S

United States Patent [19]
Rose

[11] **Patent Number: Des. 411,012**
[45] **Date of Patent: ** Jun. 15, 1999**

[54] **WRIST-BORNE DEVICE FOR USE IN THERAPY**

D. 332,663 1/1993 Liszewski D24/190
5,823,932 10/1998 Spiegel 600/26

[76] Inventor: **John Edward Rose**, 66 Kings Road, Windsor, Berkshire, SL4 2AH, United Kingdom

Primary Examiner—Stella Reid
Assistant Examiner—G. Andoll
Attorney, Agent, or Firm—Smith-Hill and Bedell

[**] Term: **14 Years**

[57] **CLAIM**

[21] Appl. No.: **29/078,006**

The ornamental design for a wrist-borne device for use in therapy, as shown and described.

[22] Filed: **Oct. 14, 1997**

DESCRIPTION

[30] **Foreign Application Priority Data**

Apr. 16, 1997 [GB] United Kingdom 2064944

FIG. 1 is a perspective view of a wrist-borne device showing my new design, the device being for use in therapy. FIG. 2 is a top plan view thereof, FIG. 3 is a bottom plan view thereof, FIG. 4 is a view of one side thereof; and, FIG. 5 is a view of the other side thereof.

[51] **LOC (6) Cl.** **24-02**

[52] **U.S. Cl.** **D24/188; D24/231**

[58] **Field of Search** D24/188, 189, D24/231, 190; 600/26-28; 128/897-899

The straps illustrated in broken lines in FIG. 1 do not form part of my claimed design.

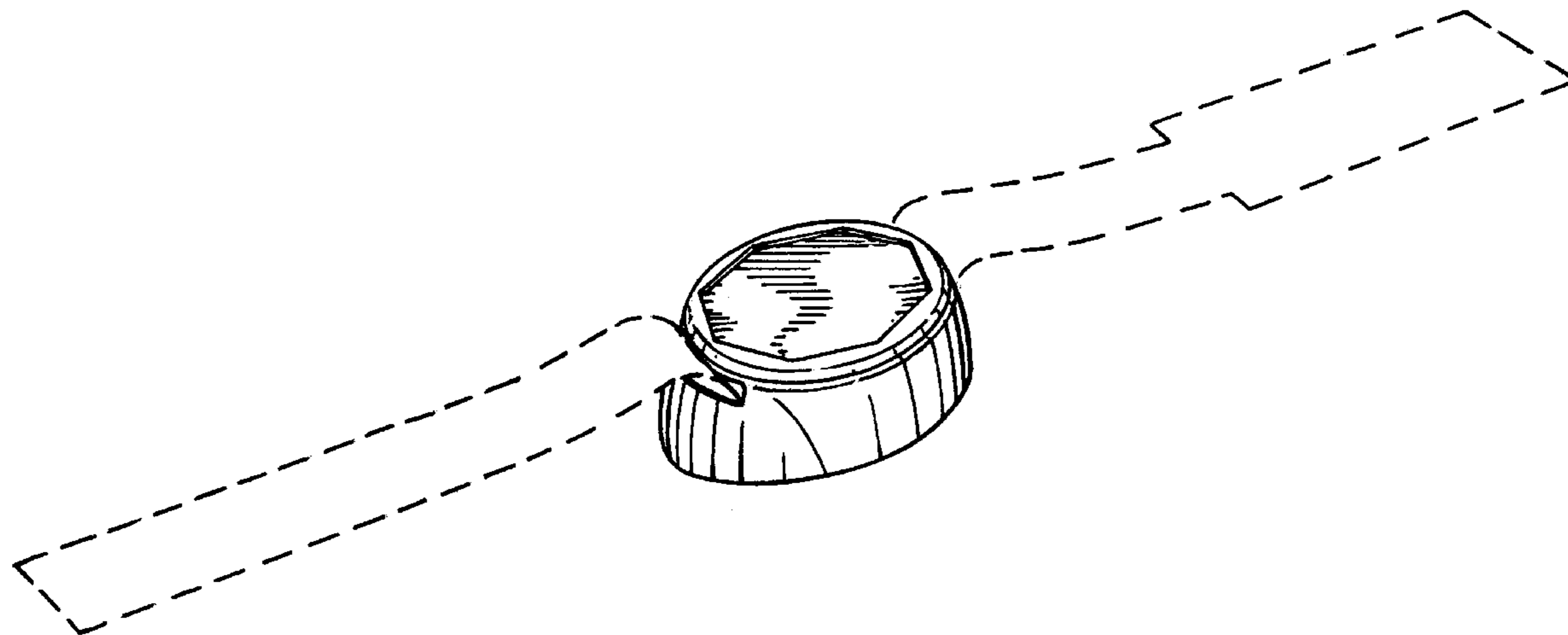
[56] **References Cited**

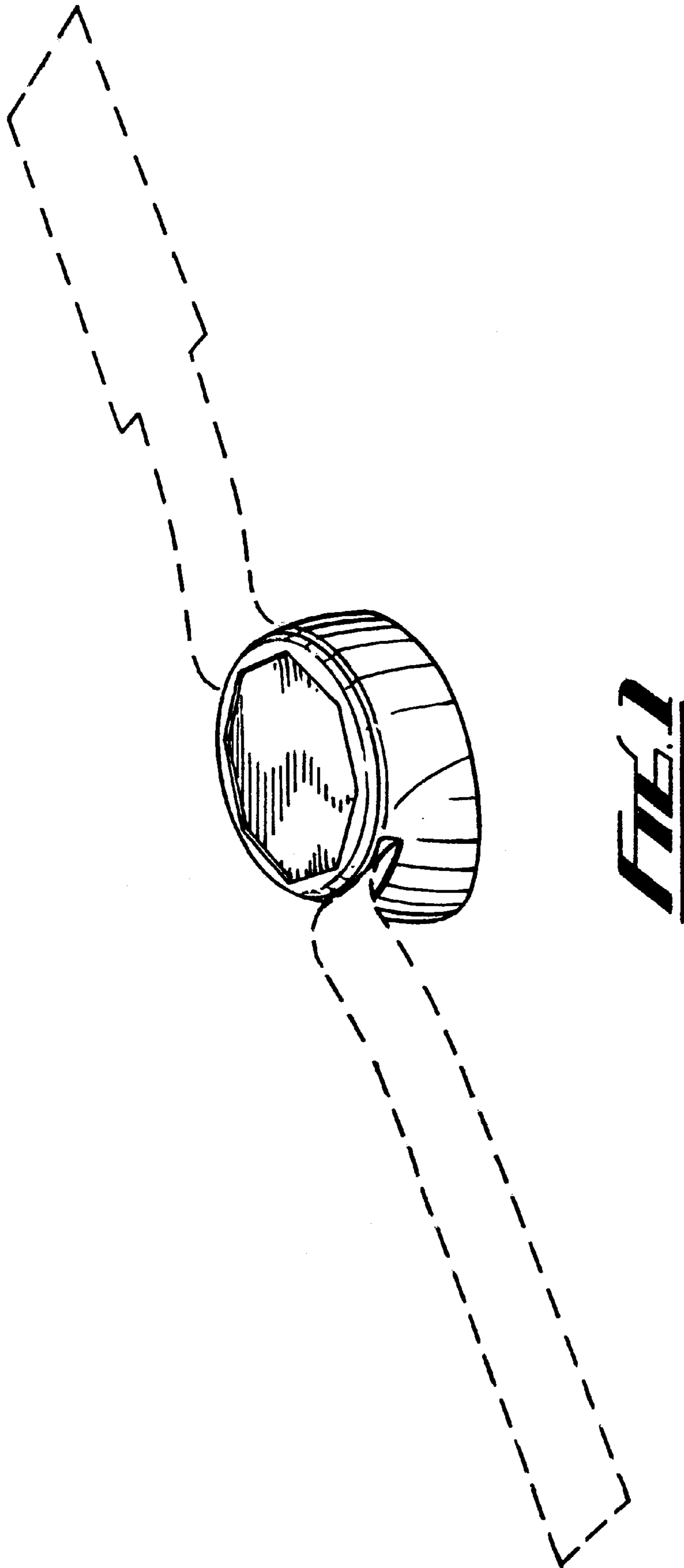
The two opposite end elevations of the wrist-borne vibrating device are mirror images of one another.

U.S. PATENT DOCUMENTS

D. 291,596 8/1987 Detty D24/190

1 Claim, 2 Drawing Sheets





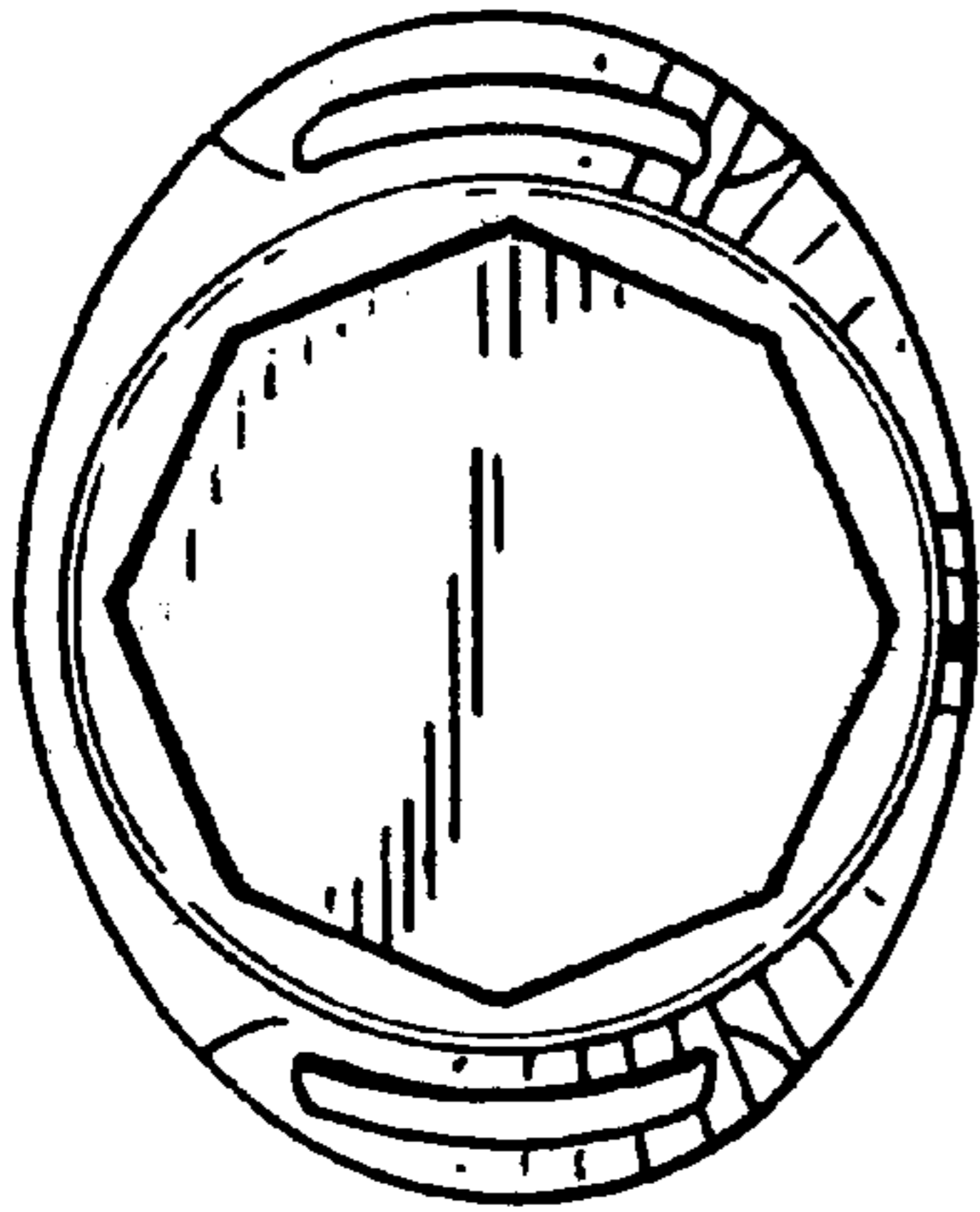


FIG. 2

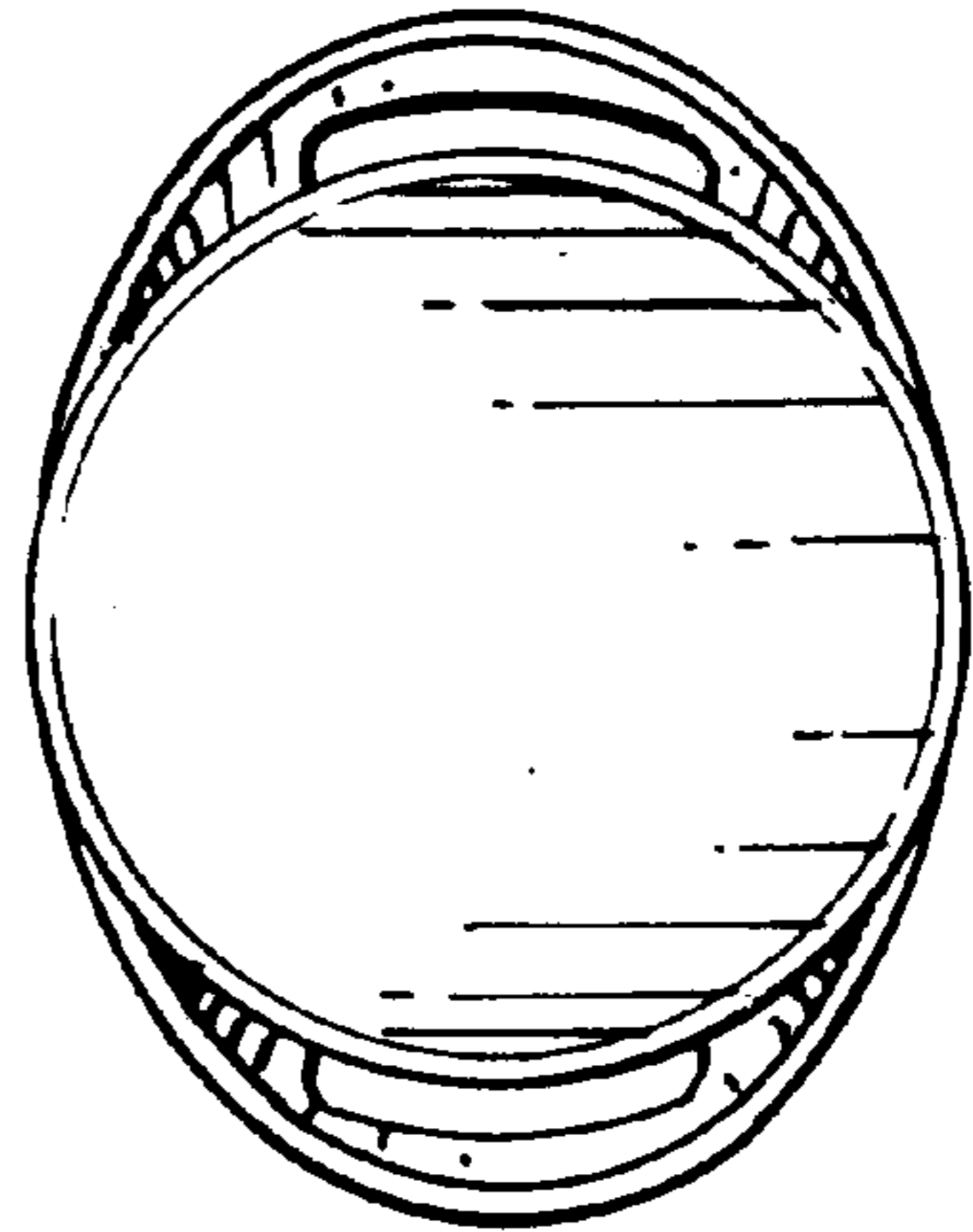


FIG. 3

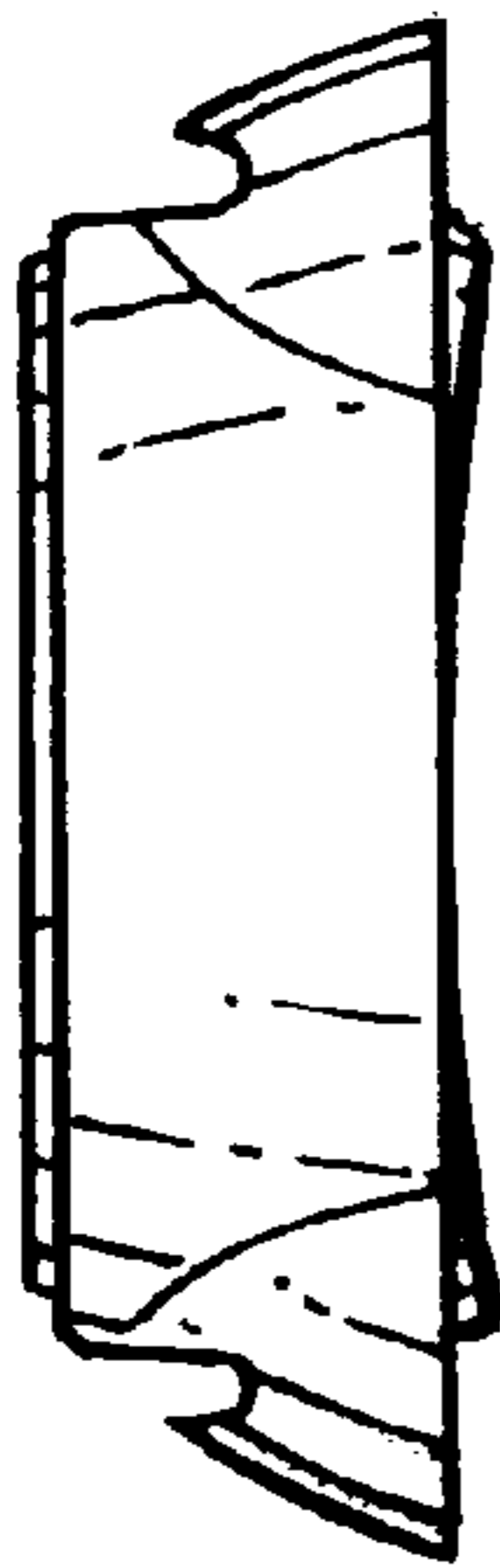


FIG. 4

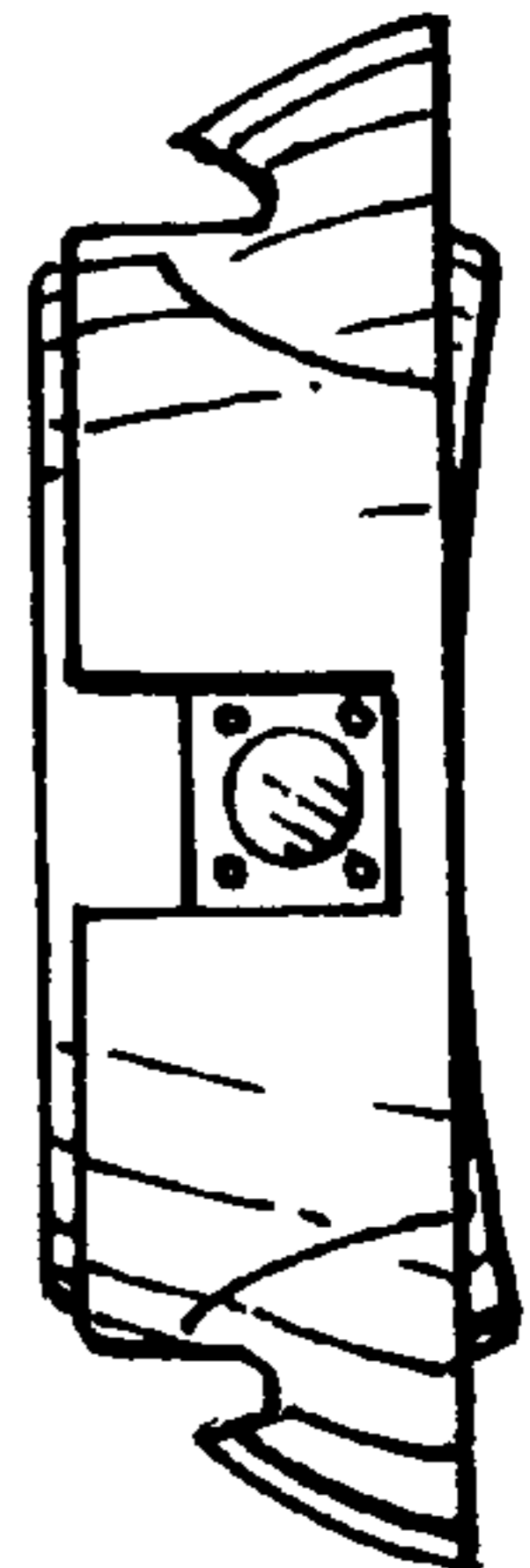


FIG. 5