



US00D411005S

United States Patent [19]
Coe

[11] **Patent Number: Des. 411,005**

[45] **Date of Patent: ** Jun. 15, 1999**

[54] **ARTHRITIC AID FOR METERED DOSE INHALER**

[75] Inventor: **Matthew Coe**, Asbury, N.J.

[73] Assignee: **PharmaDesign Inc.**, Warren, N.J.

[**] Term: **14 Years**

[21] Appl. No.: **29/094,244**

[22] Filed: **Sep. 29, 1998**

[51] **LOC (6) Cl.** **29-02**

[52] **U.S. Cl.** **D24/110; D24/110**

[58] **Field of Search** D24/110, 133,
D24/143; 128/200.14, 200.23, 203.15

[56] **References Cited**

U.S. PATENT DOCUMENTS

D. 313,850	1/1991	Newell	D24/110
D. 394,313	5/1998	O'Brien	D24/110
4,834,083	5/1989	Byran et al.	128/200.23
5,692,492	12/1997	Bruna et al.	128/200.23

Primary Examiner—Stella Reid
Assistant Examiner—I. Simmons

Attorney, Agent, or Firm—Watov & Kipnes, P.C.

[57] **CLAIM**

The ornamental design for an arthritic aid for metered dose inhaler, as shown and described.

DESCRIPTION

FIG. 1 is a perspective view showing the bottom and right side elevational view of the arthritic aid for a metered dose inhaler with a latch mechanism in the closed position for securing an inhaler therein;

FIG. 2 is a front elevational view thereof;

FIG. 3 is a rear elevational view thereof;

FIG. 4 is a left side elevational view thereof;

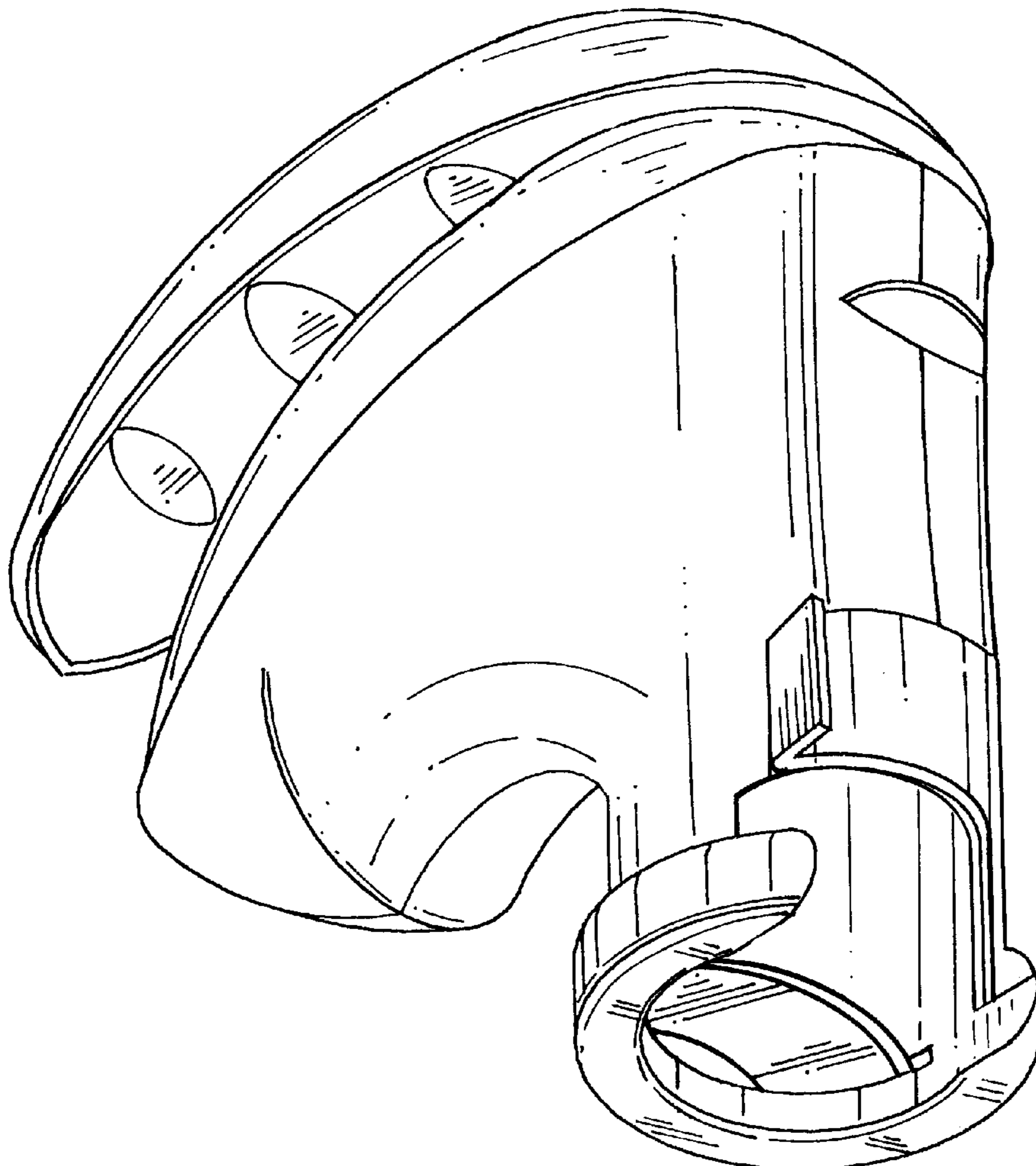
FIG. 5 is a right side elevational view thereof;

FIG. 6 is a bottom plan view thereof;

FIG. 7 is a top plan view thereof; and,

FIG. 8 is a perspective view showing the bottom and left side elevational view of the arthritic aid for a metered dose inhaler with the latch mechanism in the open position for receiving an inhaler therein.

1 Claim, 5 Drawing Sheets



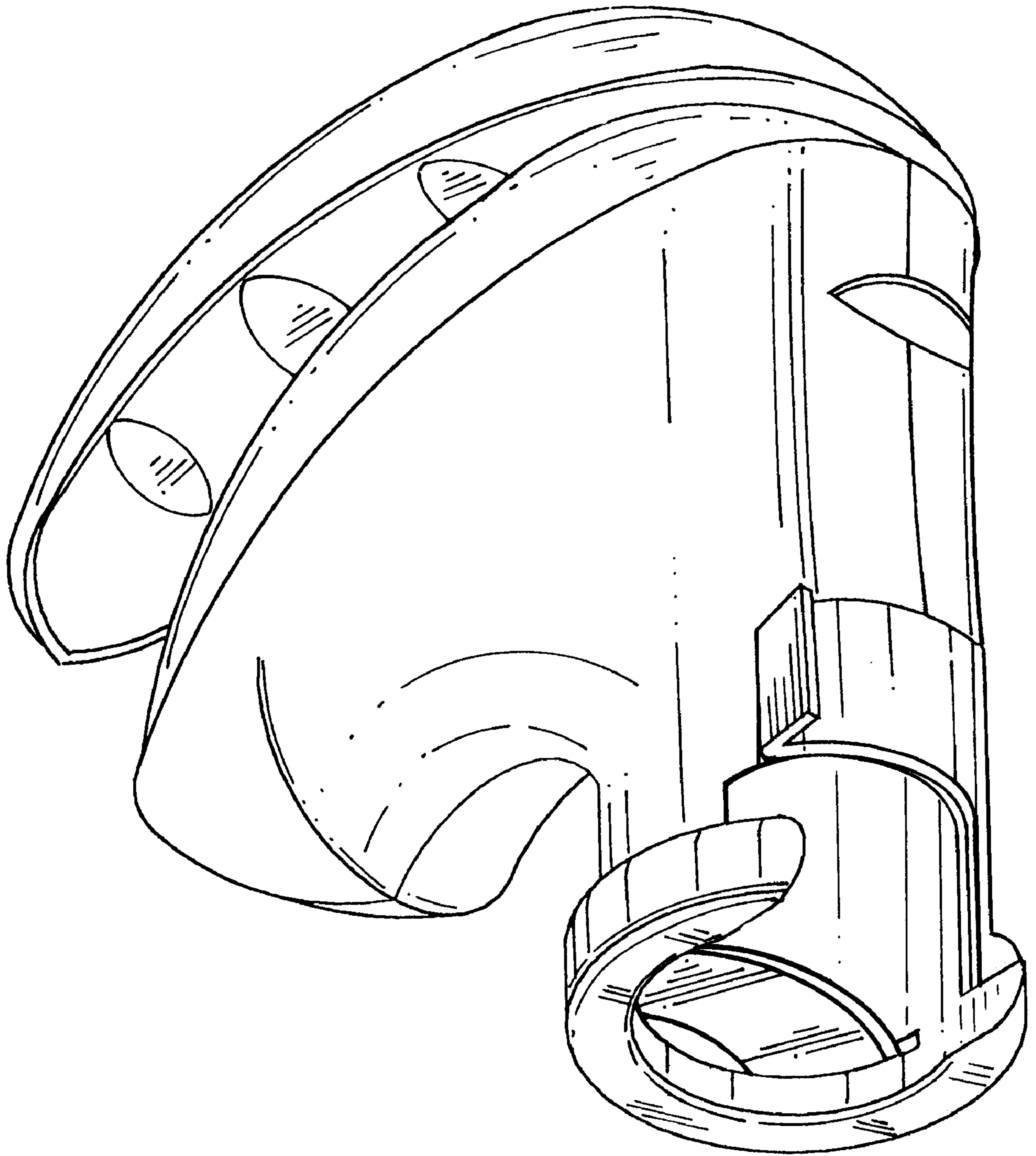


FIG. 1

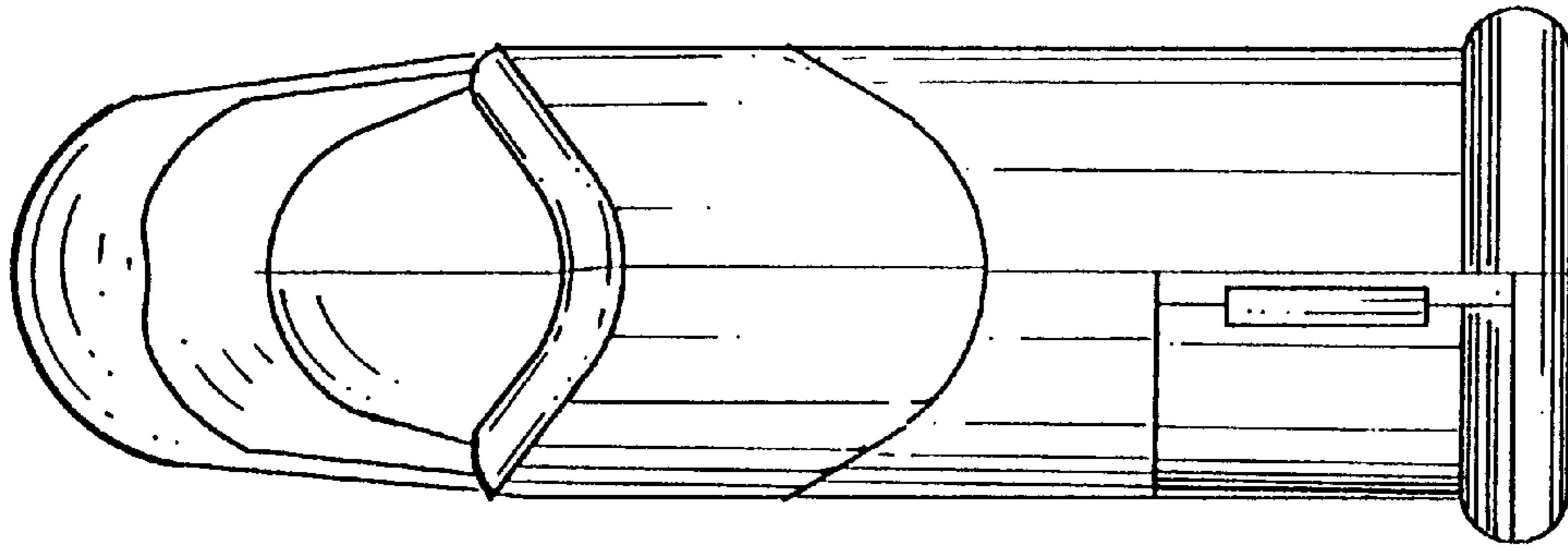


FIG. 2

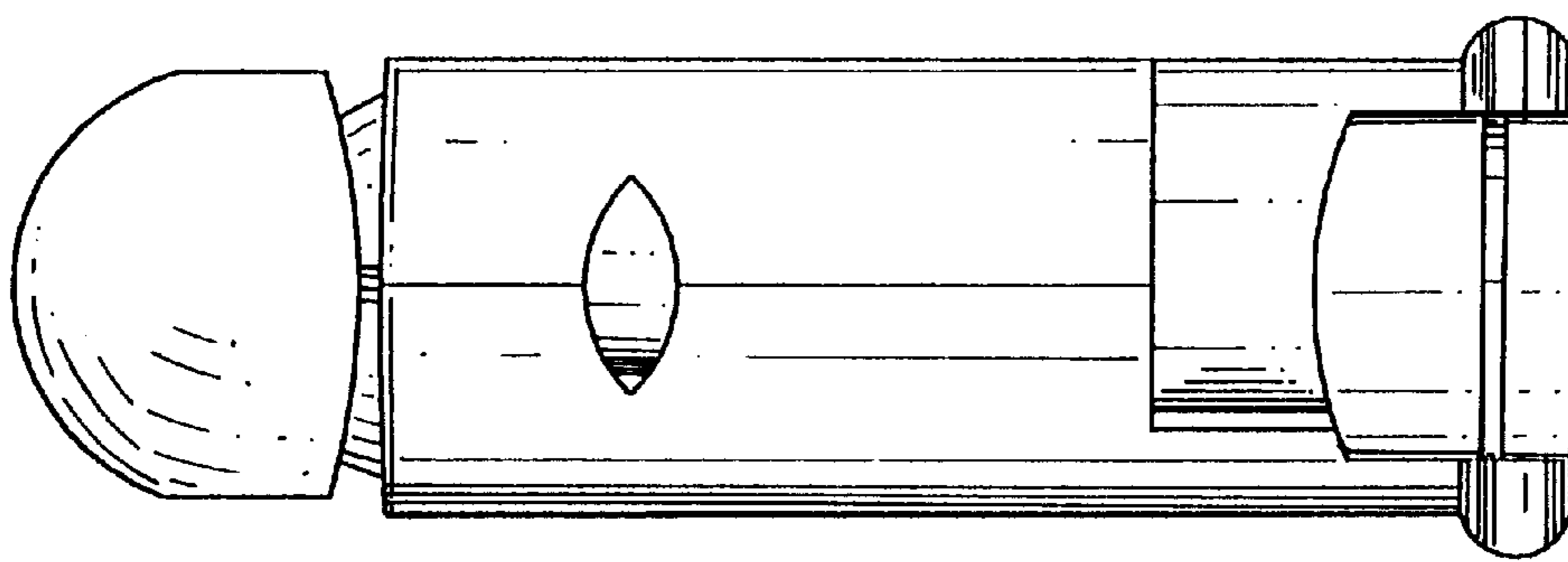


FIG. 3

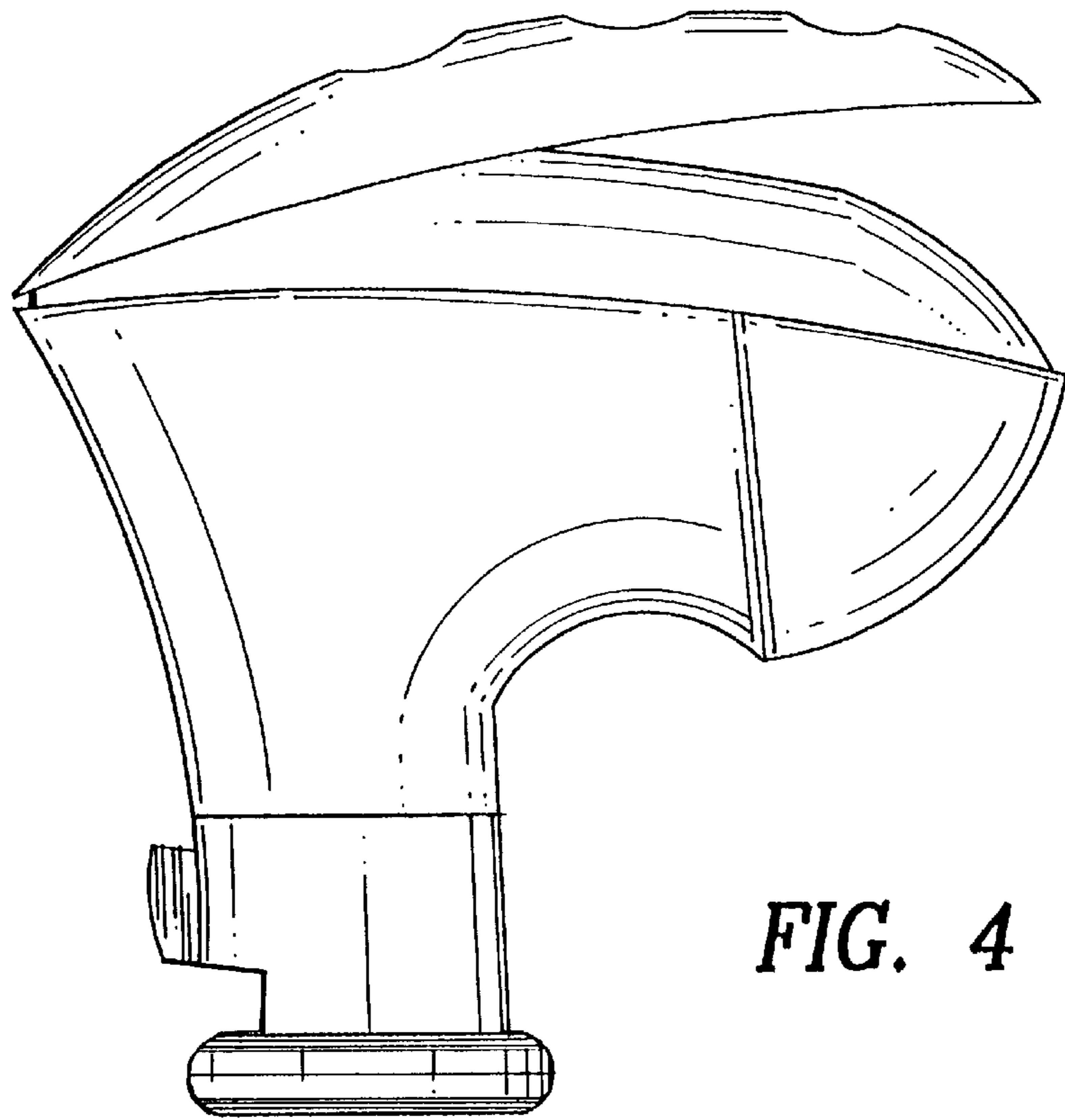


FIG. 4

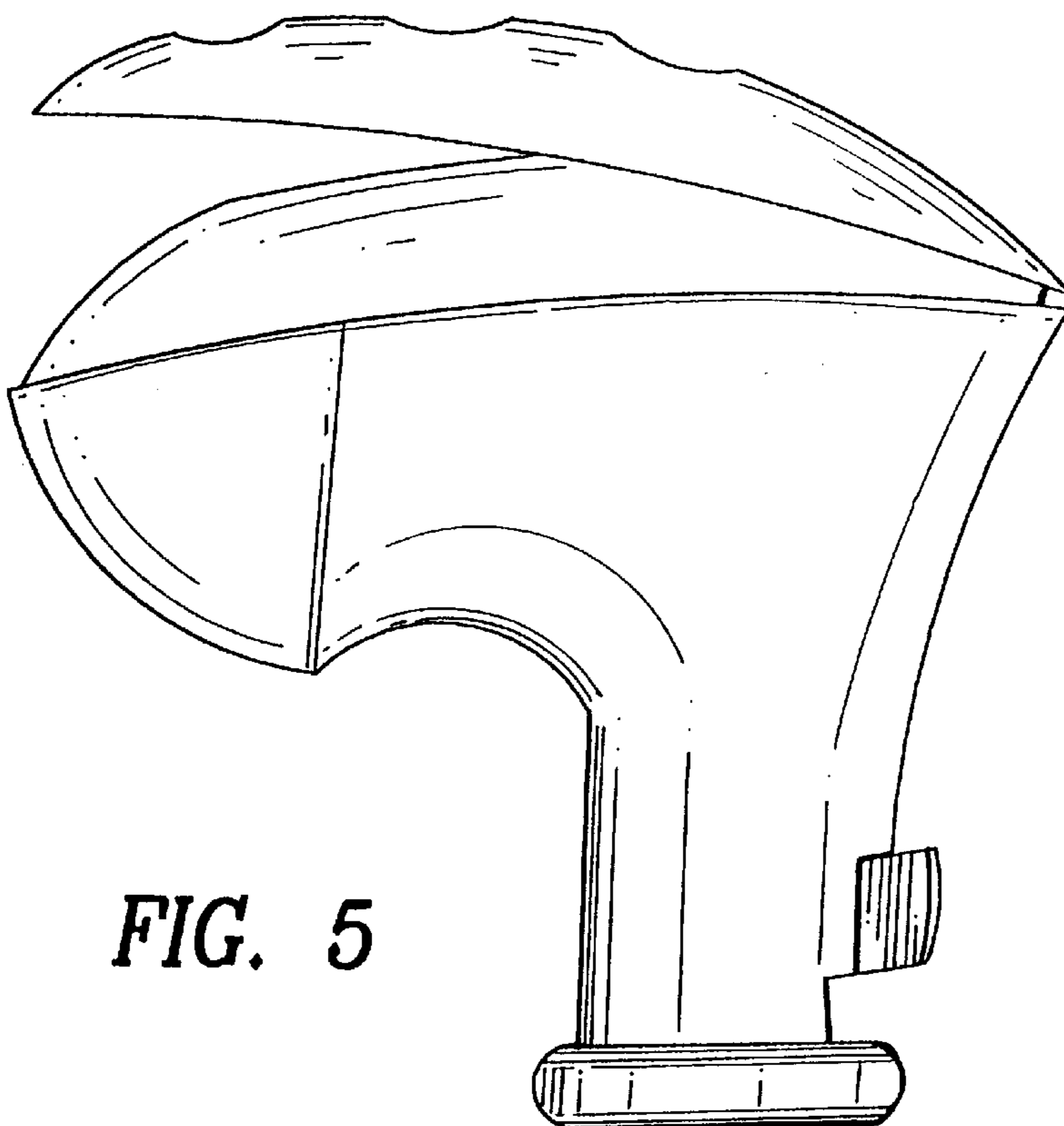


FIG. 5

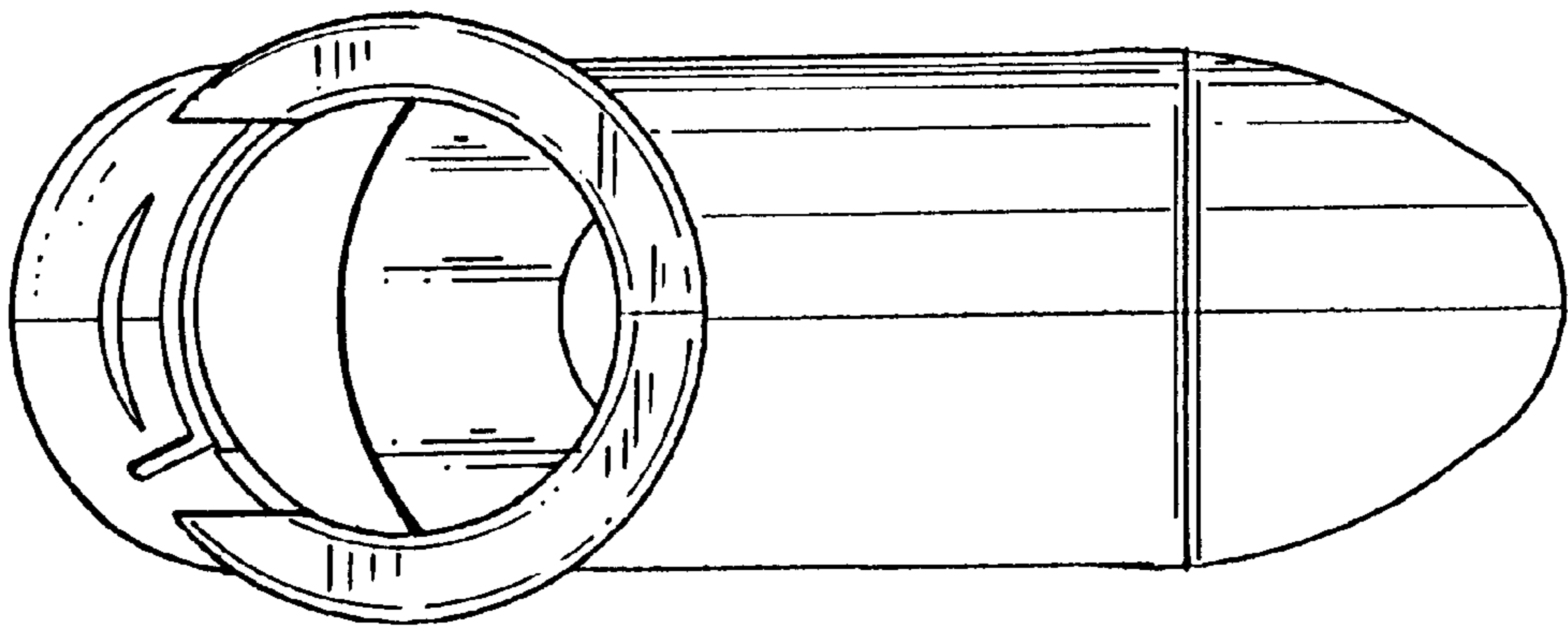


FIG. 6

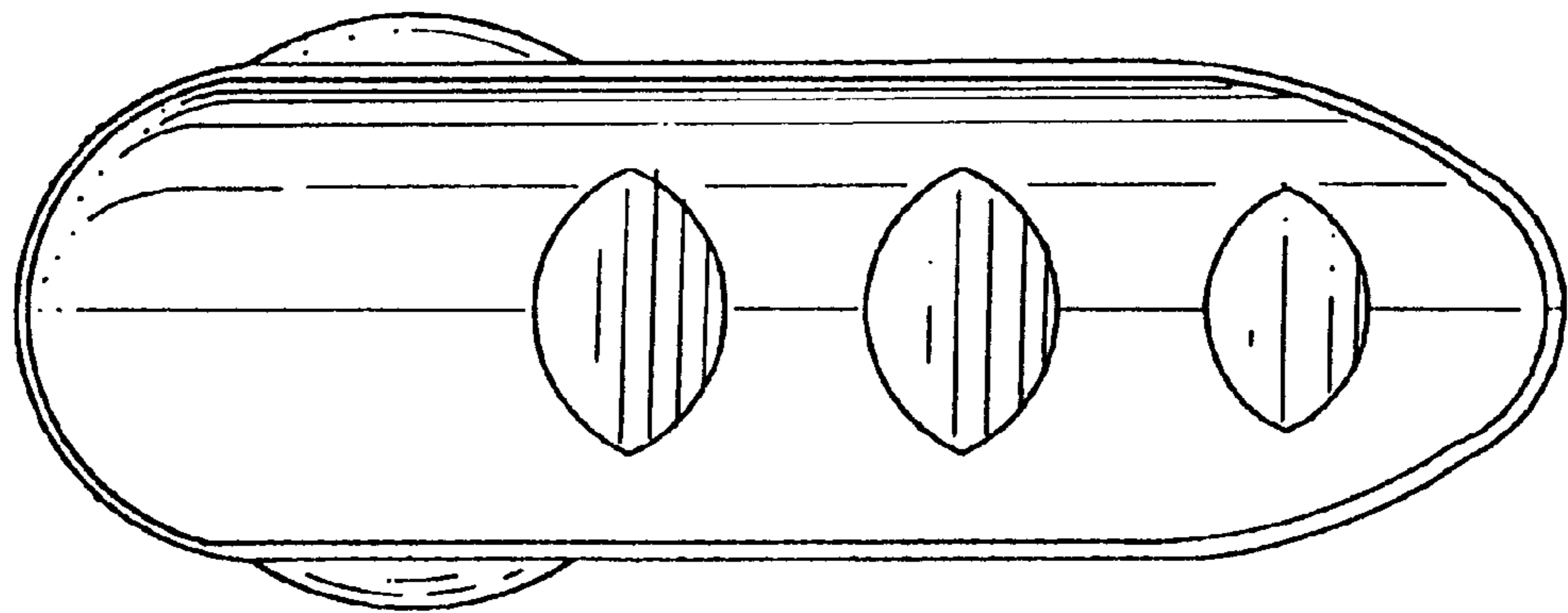


FIG. 7

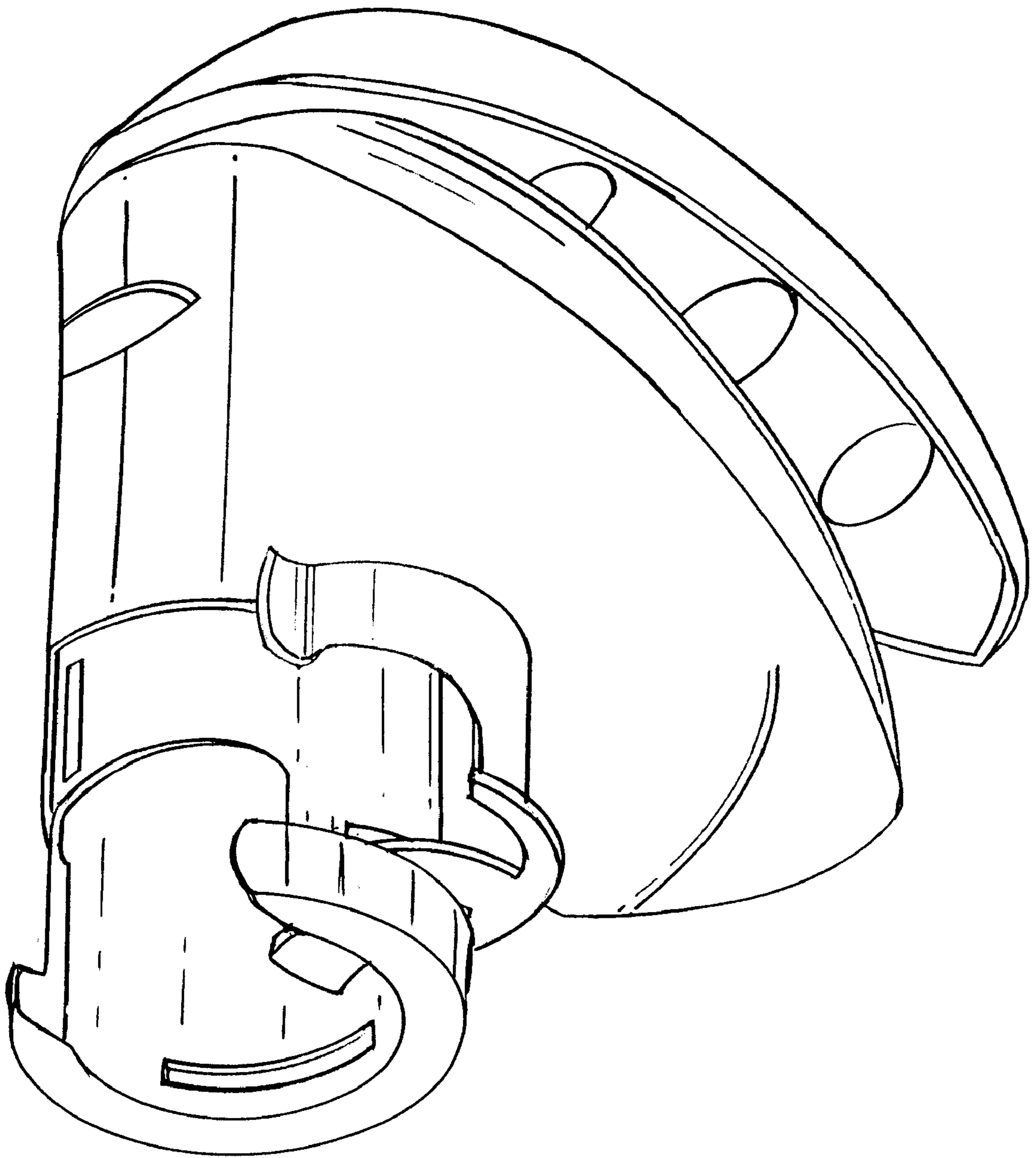


FIG. 8