



US00D411003S

United States Patent [19] Jaspers-Fayer

[11] **Patent Number: Des. 411,003**
[45] **Date of Patent: ** Jun. 15, 1999**

[54] **CEILING FAN**

D. 349,337 8/1994 Jsui D23/377
D. 352,997 11/1994 Di Pasquale D23/411

[75] Inventor: **Jan Jaspers-Fayer**, Idyllwild, Calif.

[73] Assignee: **Minka Lighting, Inc.**, Corona, Calif.

[**] Term: **14 Years**

[21] Appl. No.: **29/051,654**

[22] Filed: **Mar. 15, 1996**

Primary Examiner—Lisa Lichtenstein
Attorney, Agent, or Firm—Jenkins & Gilchrist, P.C.

[57] CLAIM

The ornamental design for a ceiling fan, as shown and described.

DESCRIPTION

FIG. 1 is a bottom perspective view of a ceiling fan showing my new design;

FIG. 2 is an enlarged side perspective view thereof, the other sides being substantially identical to that shown except for the pull cord; and,

FIG. 3 is an enlarged top perspective view thereof.

The fan blades have been shown broken away in FIGS. 1–3 to indicate indeterminate length.

The support rod has been shown broken-away in FIG. 2 to indicate indeterminate length.

Related U.S. Application Data

[60] Continuation of application No. 29/037,537, Apr. 17, 1995, abandoned, which is a division of application No. 29/017,922, Jan. 25, 1994, abandoned.

[51] **LOC (6) Cl. 23-04**

[52] **U.S. Cl. D23/377; D23/379; D23/385**

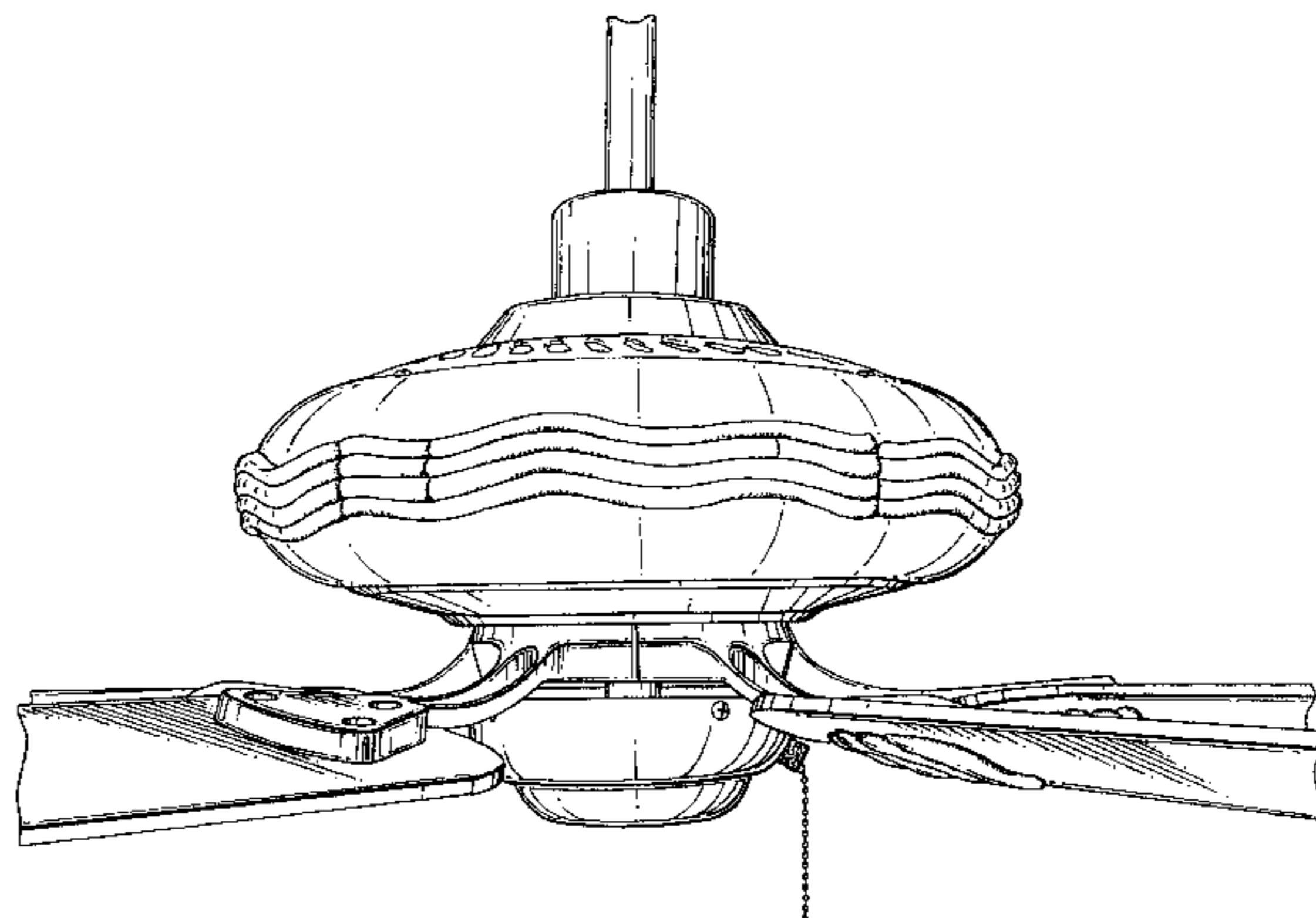
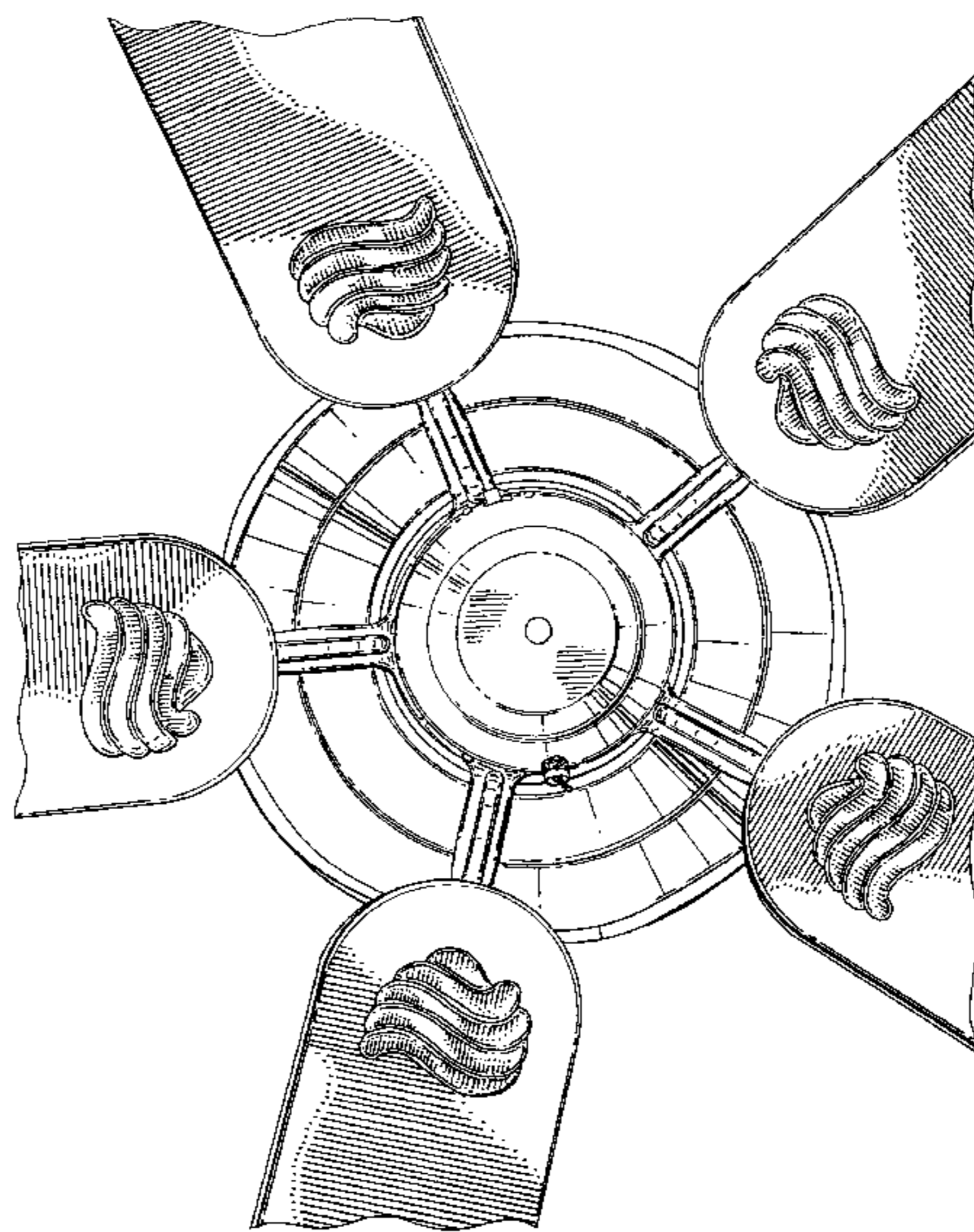
[58] **Field of Search D23/377, 379, D23/385, 411; 416/5; 392/364; 362/96; D26/81–86, 88, 59, 72, 51**

[56] References Cited

U.S. PATENT DOCUMENTS

D. 349,336 8/1994 Jsui D23/377

1 Claim, 3 Drawing Sheets



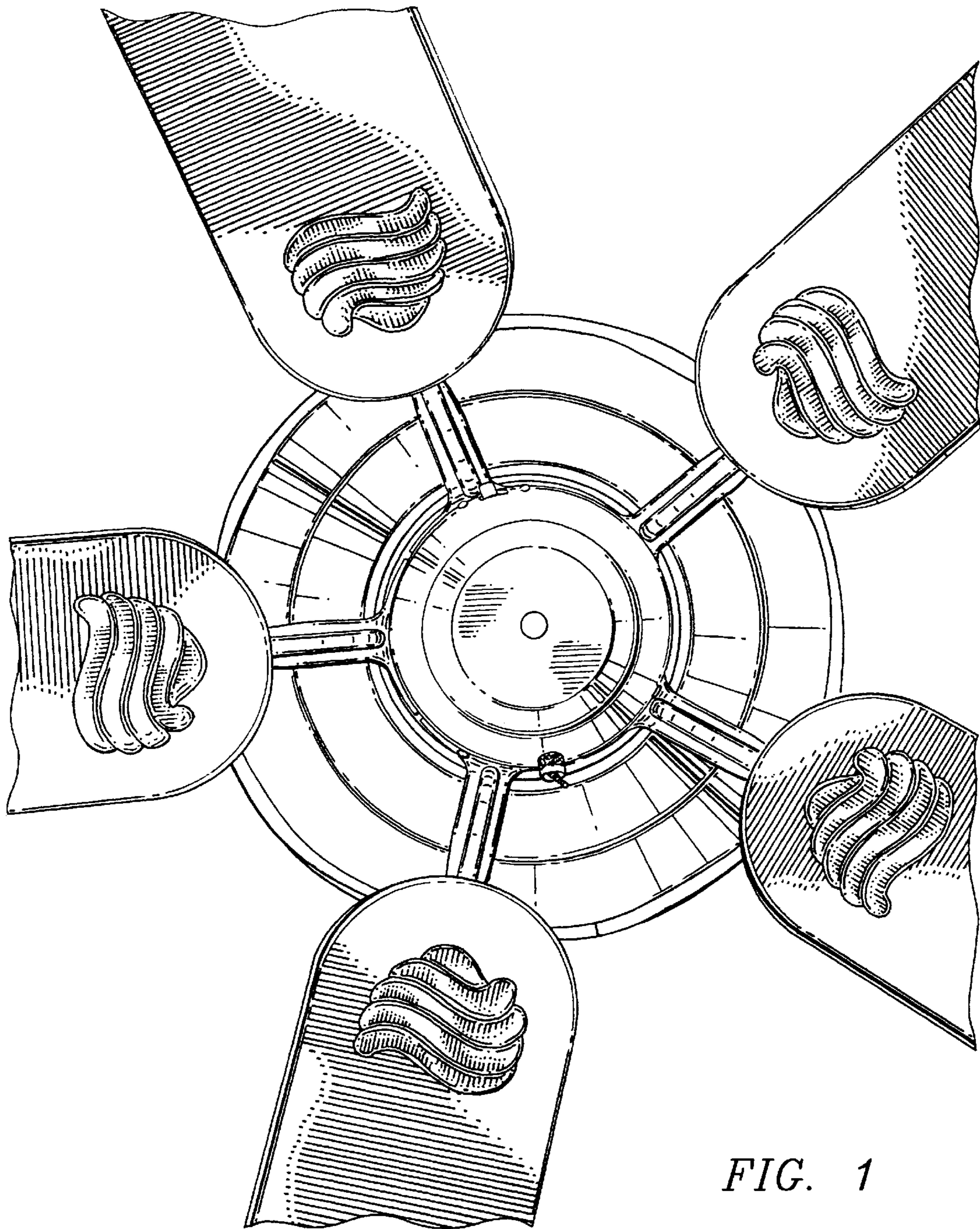


FIG. 1

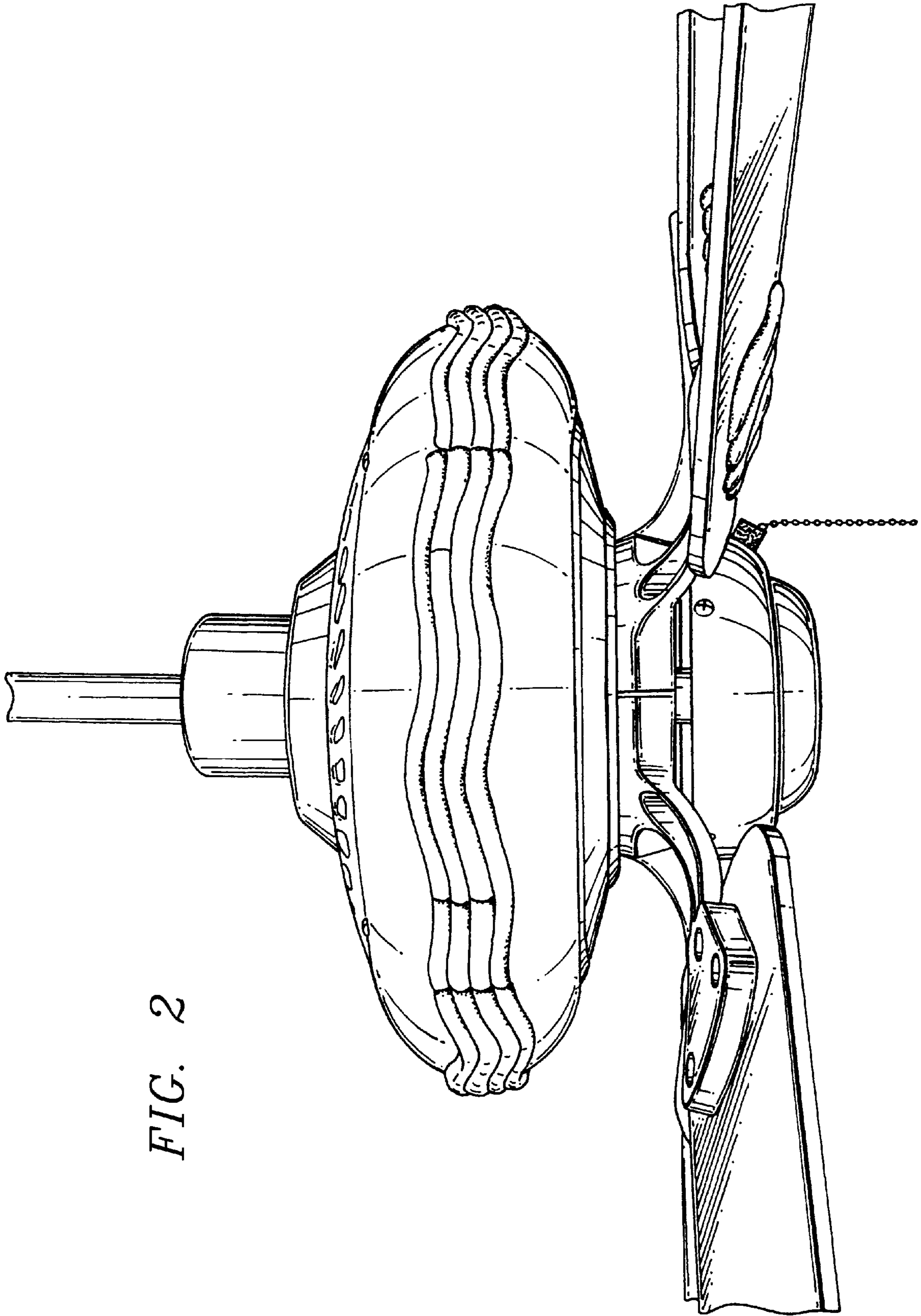


FIG. 2

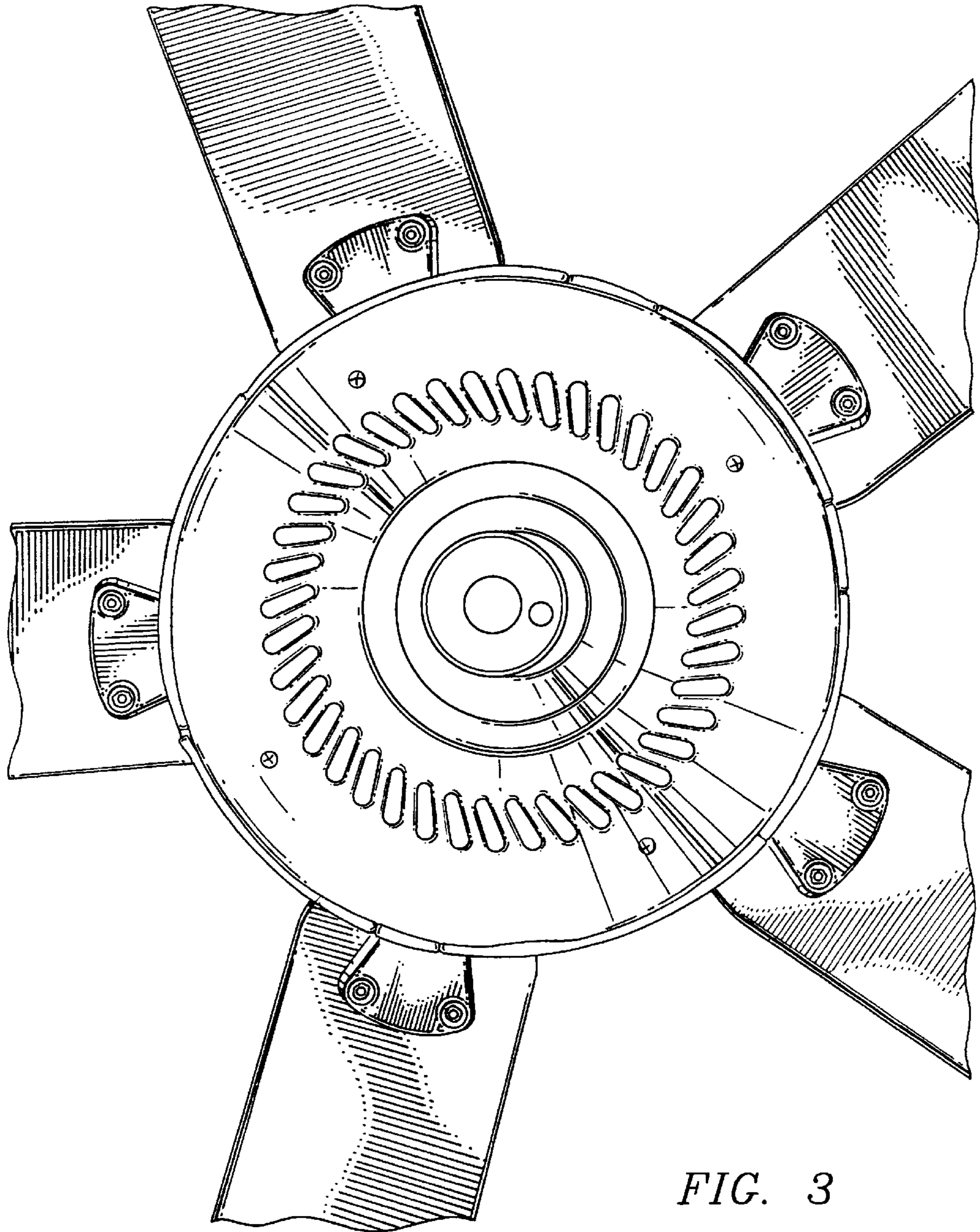


FIG. 3