



US00D411002S

United States Patent [19]

Farmer

[11] **Patent Number: Des. 411,002**

[45] **Date of Patent: ** Jun. 15, 1999**

[54] **AIR FRESHENER FOR PLACEMENT IN A VENT**

5,527,493 6/1996 McElfresh et al. 239/57
5,603,455 2/1997 Lin 239/34

[76] Inventor: **Mike Farmer**, 4604 Deerfield Ct.,
Sioux Falls, S. Dak. 57105

Primary Examiner—Lisa Lichtenstein

[**] Term: **14 Years**

[57] **CLAIM**

The ornamental design for an air freshener for placement in a vent, as shown and described.

[21] Appl. No.: **29/089,753**

[22] Filed: **Jun. 22, 1998**

DESCRIPTION

[51] **LOC (6) Cl.** **23-04**

[52] **U.S. Cl.** **D23/366**

[58] **Field of Search** D23/366-369,
D23/355; 454/157, 155, 156; 239/53, 57

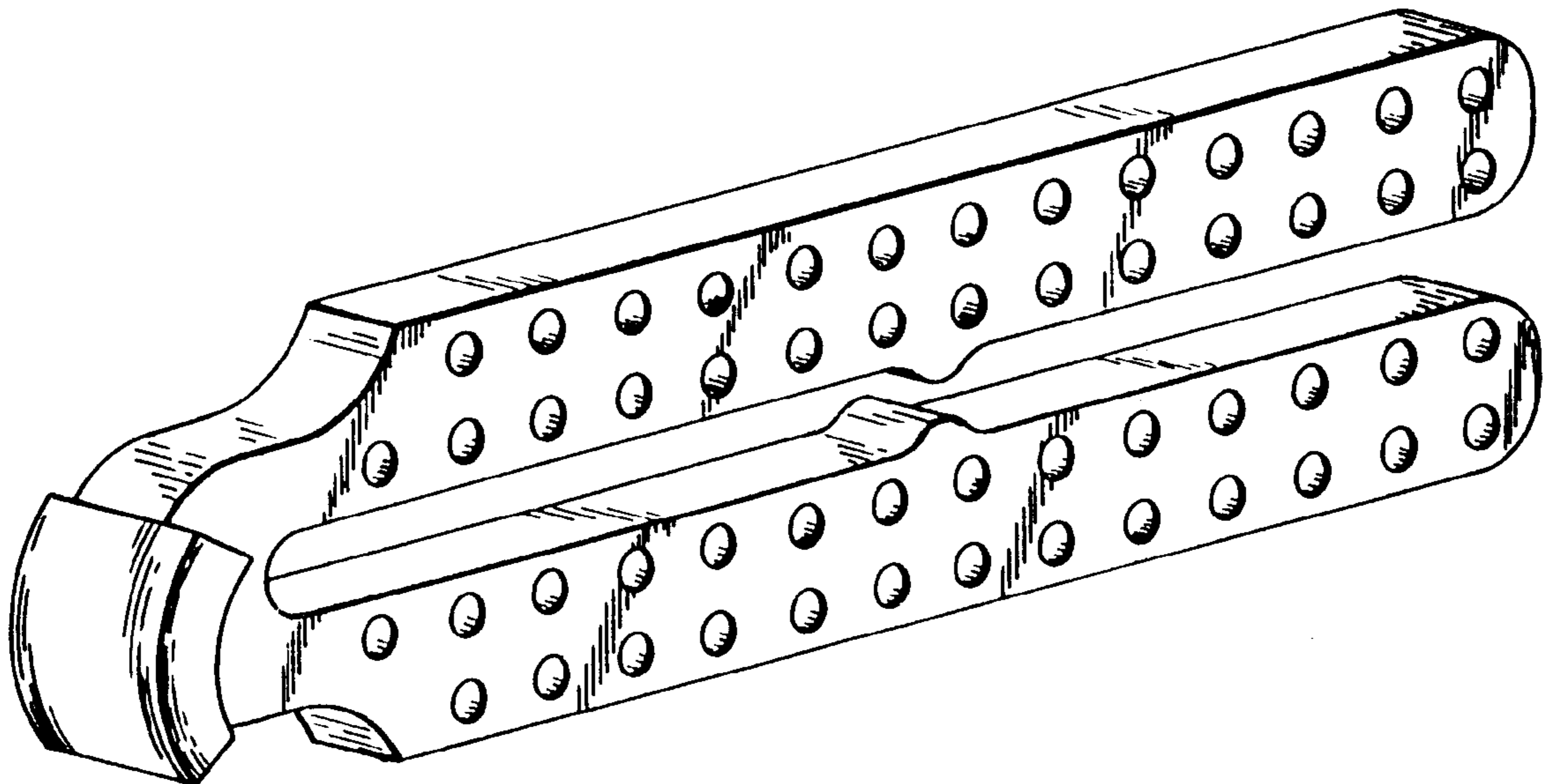
FIG. 1 is a perspective view of the air freshener,
FIG. 2 is an edge, elevational view of the air freshener the
opposite edge being a mirror image of that shown,
FIG. 3 is a bottom plan view of the air freshener; and,
FIG. 4 is an end view of the air freshener.

[56] **References Cited**

U.S. PATENT DOCUMENTS

5,269,723 12/1993 Bender 454/157

1 Claim, 1 Drawing Sheet



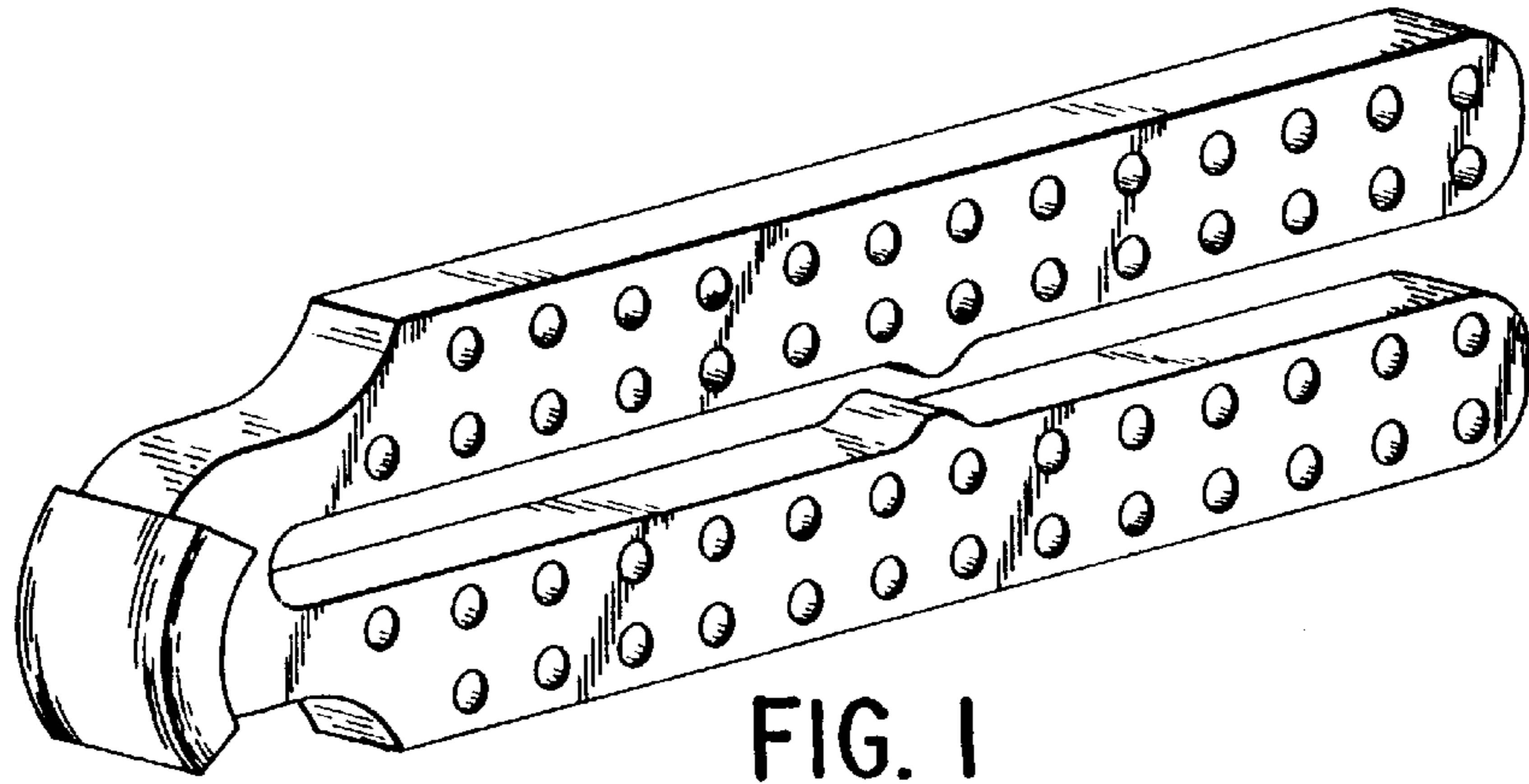


FIG. 1

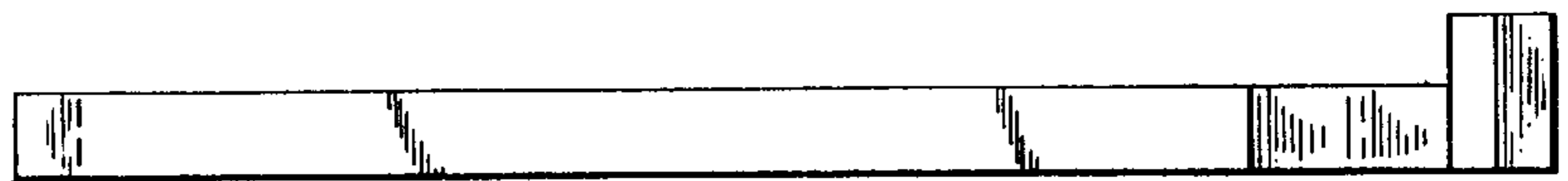


FIG. 2



FIG. 4

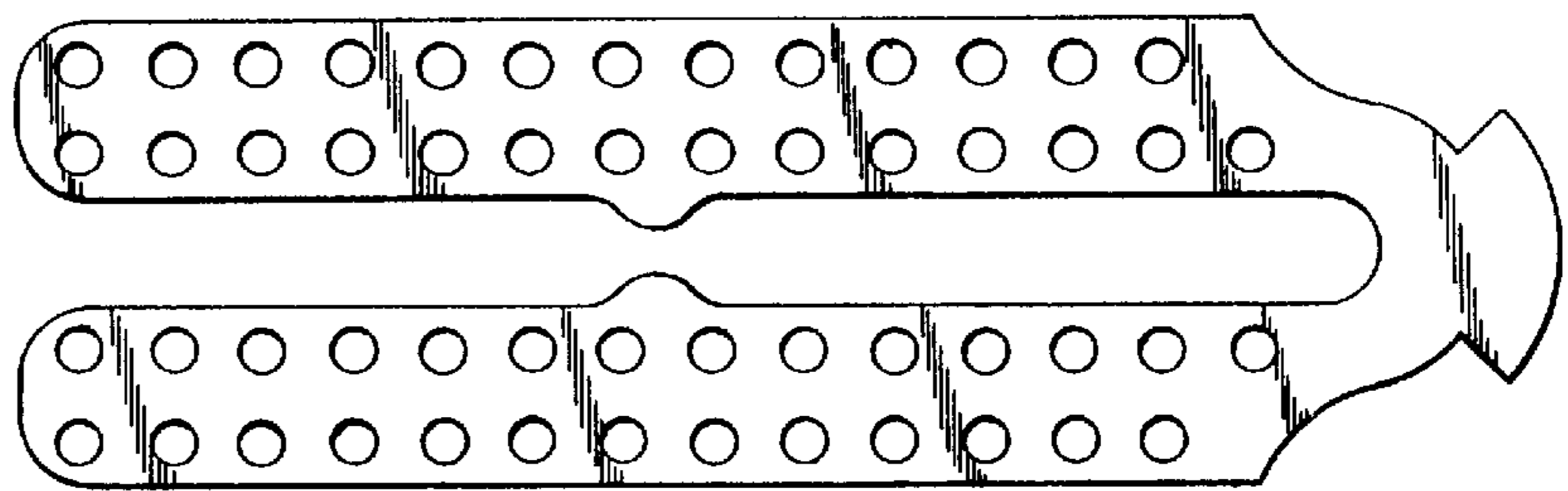


FIG. 3

Disclaimer

Des. 411,002—Mike Farmer, Sioux Falls, S. Dak. AIR FRESHENER FOR PLACEMENT IN A VENT.
Patent dated July 15, 1999. Disclaimer filed March 11, 2003, by the inventor.
Hereby enters this disclaimer to the only claim of said patent.
(Official Gazette, July 15, 2003)