



US00D410998S

United States Patent [19] Jones

[11] **Patent Number: Des. 410,998**

[45] **Date of Patent: ** Jun. 15, 1999**

[54] **TOILET**

[75] **Inventor: Sherry Lynn Jones**, Columbus, Ohio

[73] **Assignee: American Standard Inc.**, Piscataway, N.J.

[**] **Term: 14 Years**

[21] **Appl. No.: 29/086,562**

[22] **Filed: Apr. 15, 1998**

[51] **LOC (6) Cl. 23-02**

[52] **U.S. Cl. D23/301**

[58] **Field of Search D23/295-301;**
4/538, 539, 546, 548, 353, 421, 424, 428,
430

[56] **References Cited**

U.S. PATENT DOCUMENTS

- D. 298,565 11/1988 Kohler, Jr. .
- D. 314,236 1/1991 Sment D23/301
- D. 323,880 2/1992 McKeone et al. D23/295

- D. 346,854 5/1994 Reid D23/301
- D. 353,449 12/1994 Kohler, Jr. et al. .
- D. 353,480 12/1994 Anderson et al. D23/301
- D. 377,209 1/1997 Tani et al. .
- D. 379,217 5/1997 Kergoet .
- D. 379,405 5/1997 Shillington .

Primary Examiner—Louis S. Zarfes
Assistant Examiner—Eric Watterson

[57] **CLAIM**

The ornamental design for a toilet, as shown and described.

DESCRIPTION

FIG. 1 is a top, front, and right side perspective view of a toilet showing my new design;
FIG. 2 is a top plan view thereof;
FIG. 3 is a front elevational view thereof;
FIG. 4 is a left side elevational view thereof;
FIG. 5 is a rear elevational view thereof; and,
FIG. 6 is a bottom plan view thereof.
The broken line showing is for illustrative purposes only and forms no part of the claimed design.

1 Claim, 6 Drawing Sheets

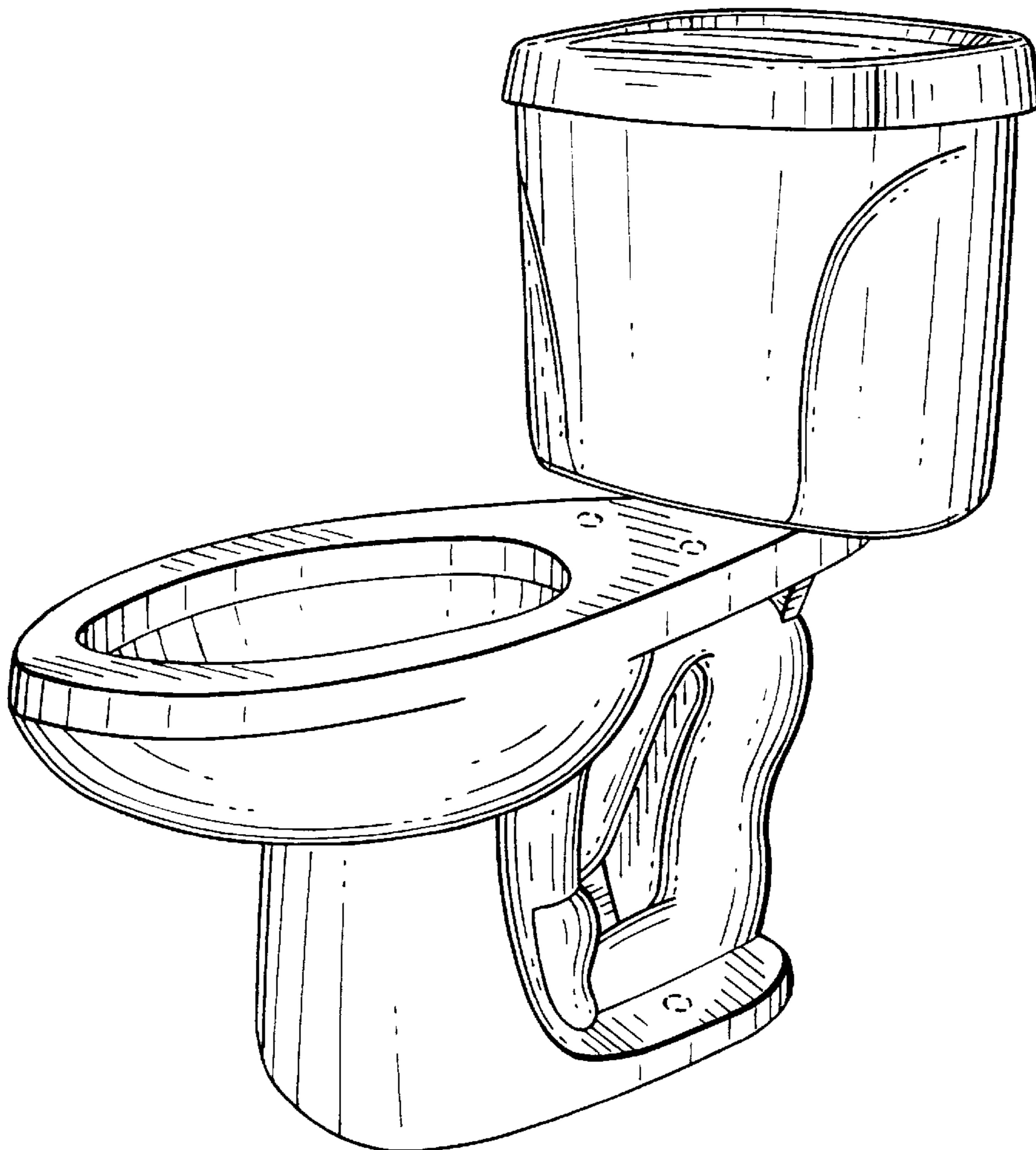


FIG. 1

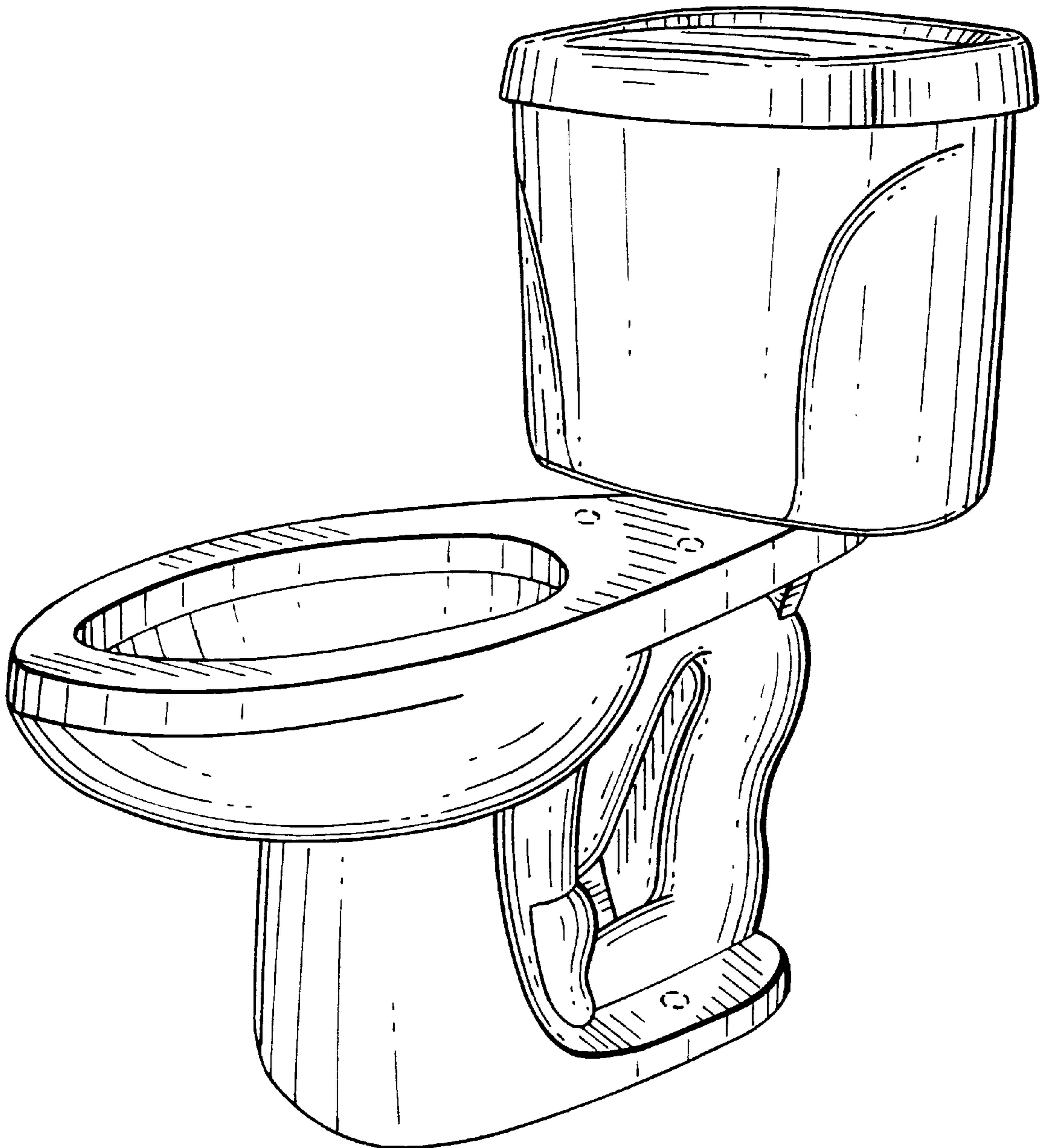


FIG. 2

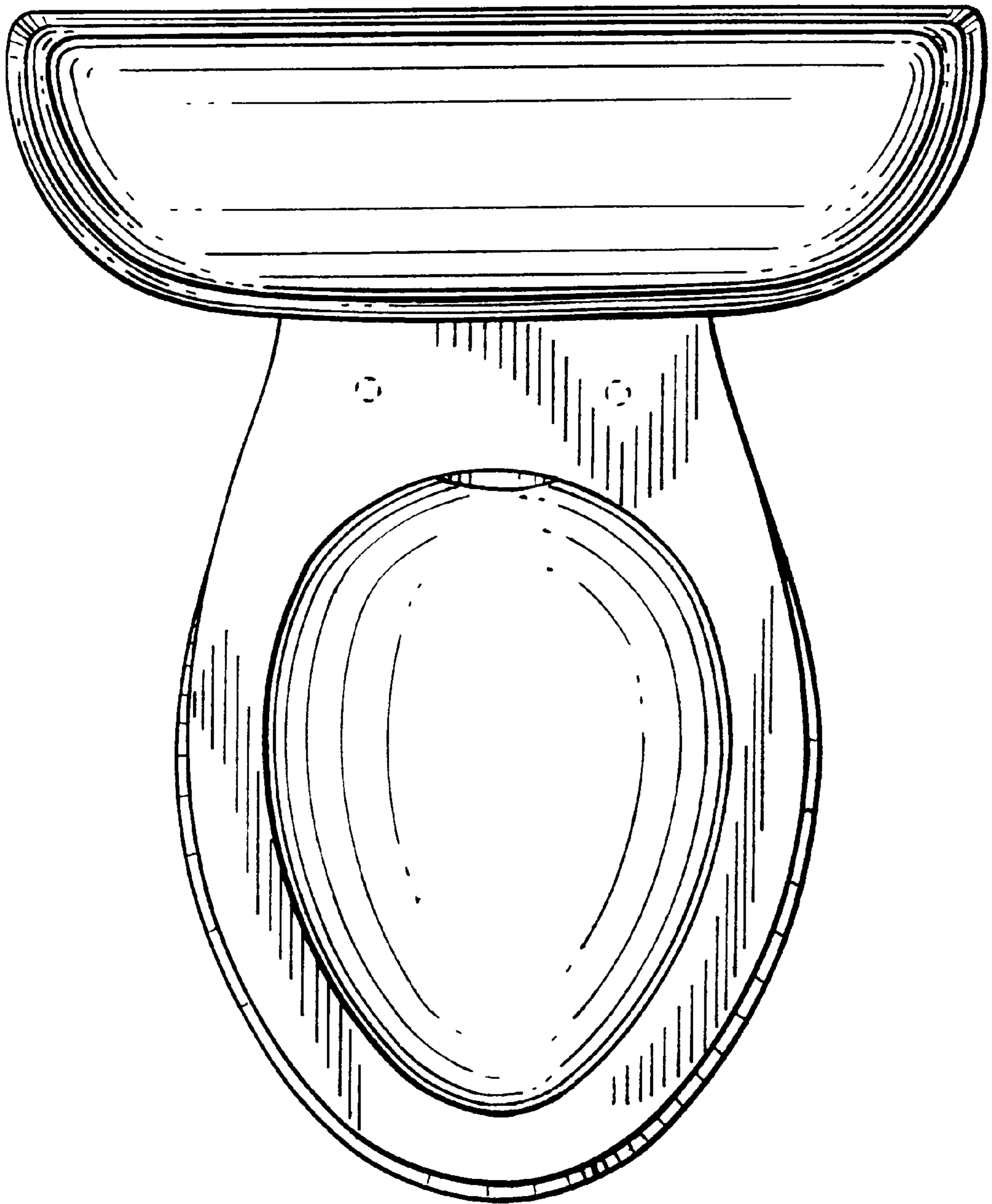


FIG. 3

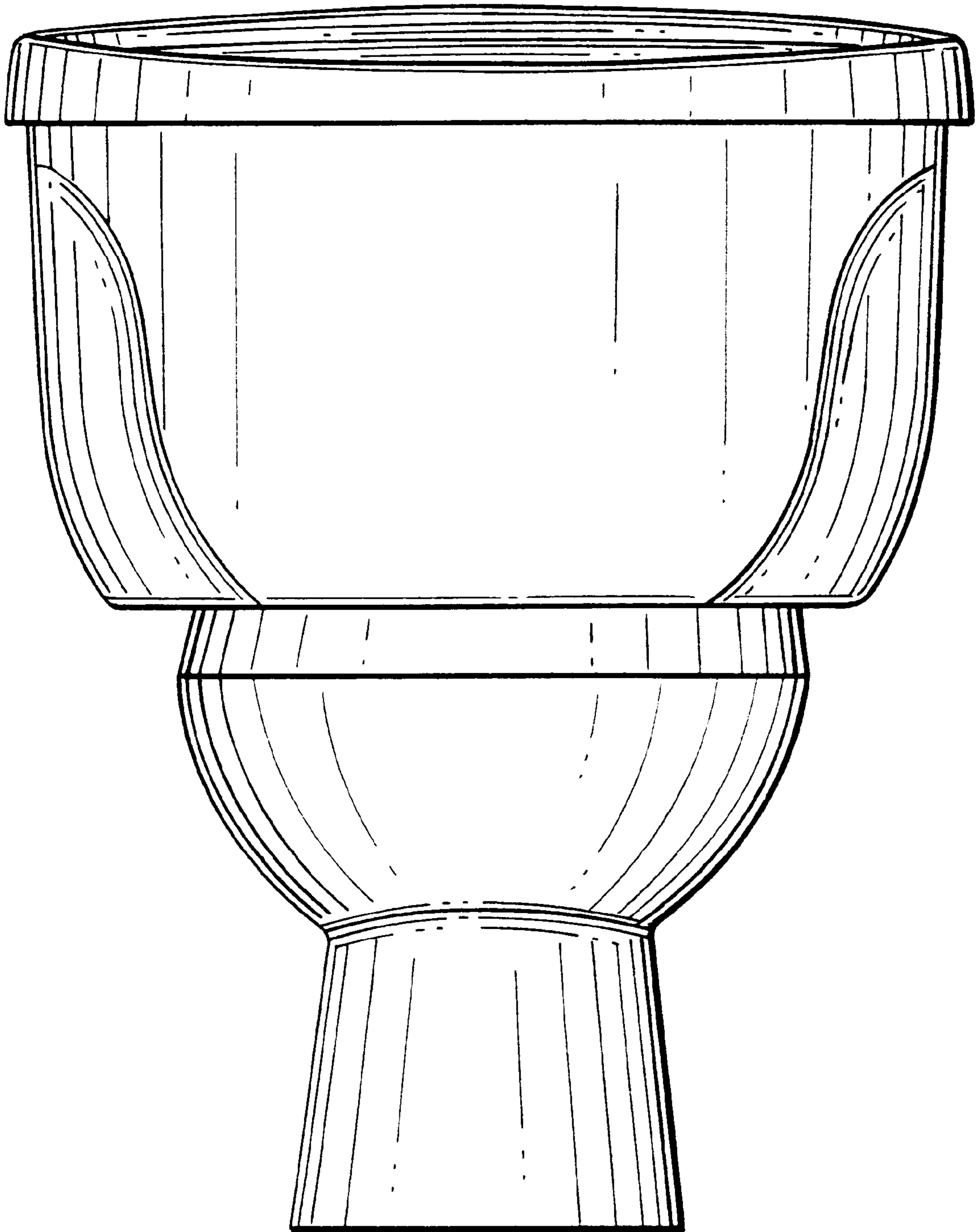


FIG. 4

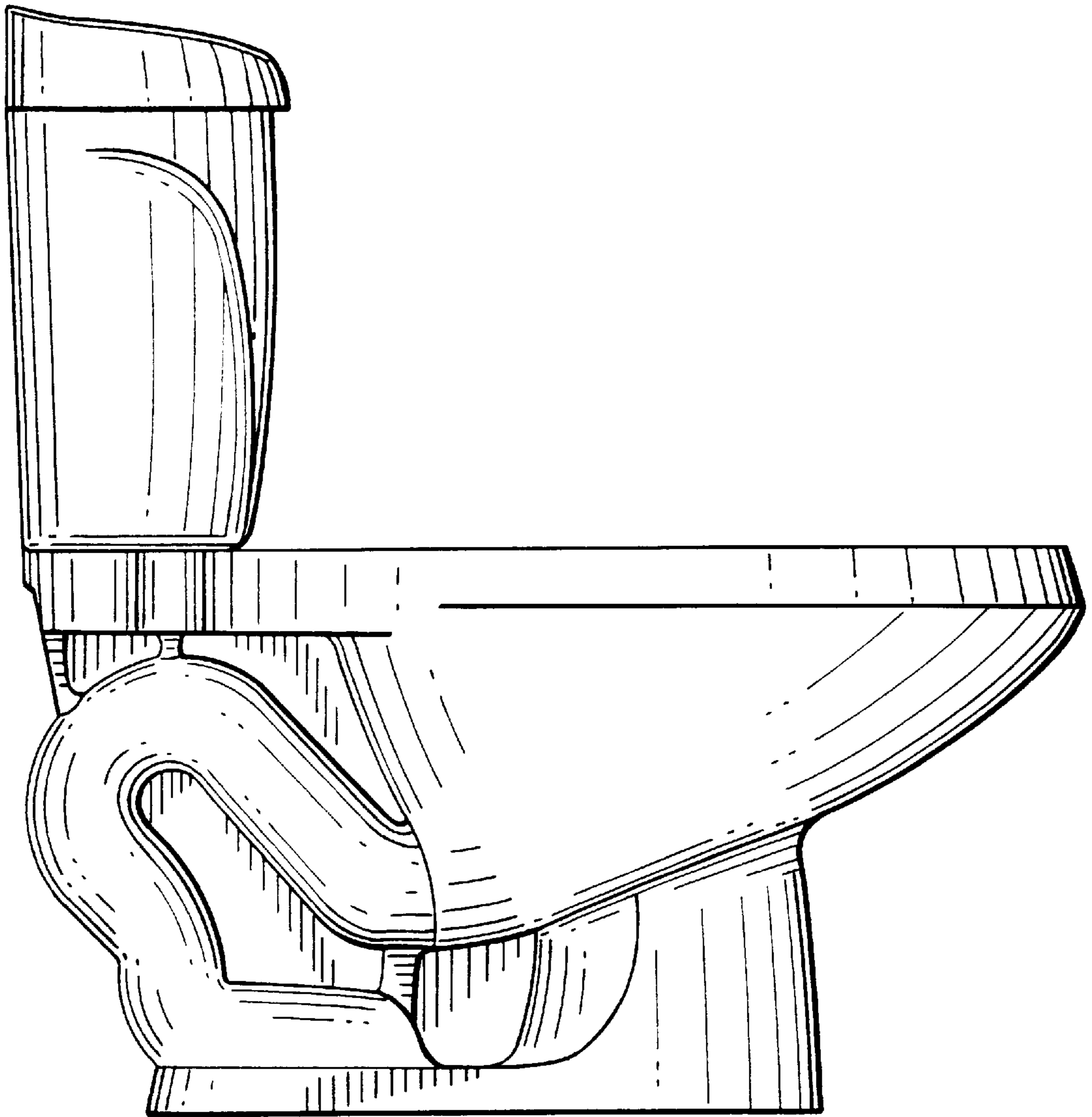
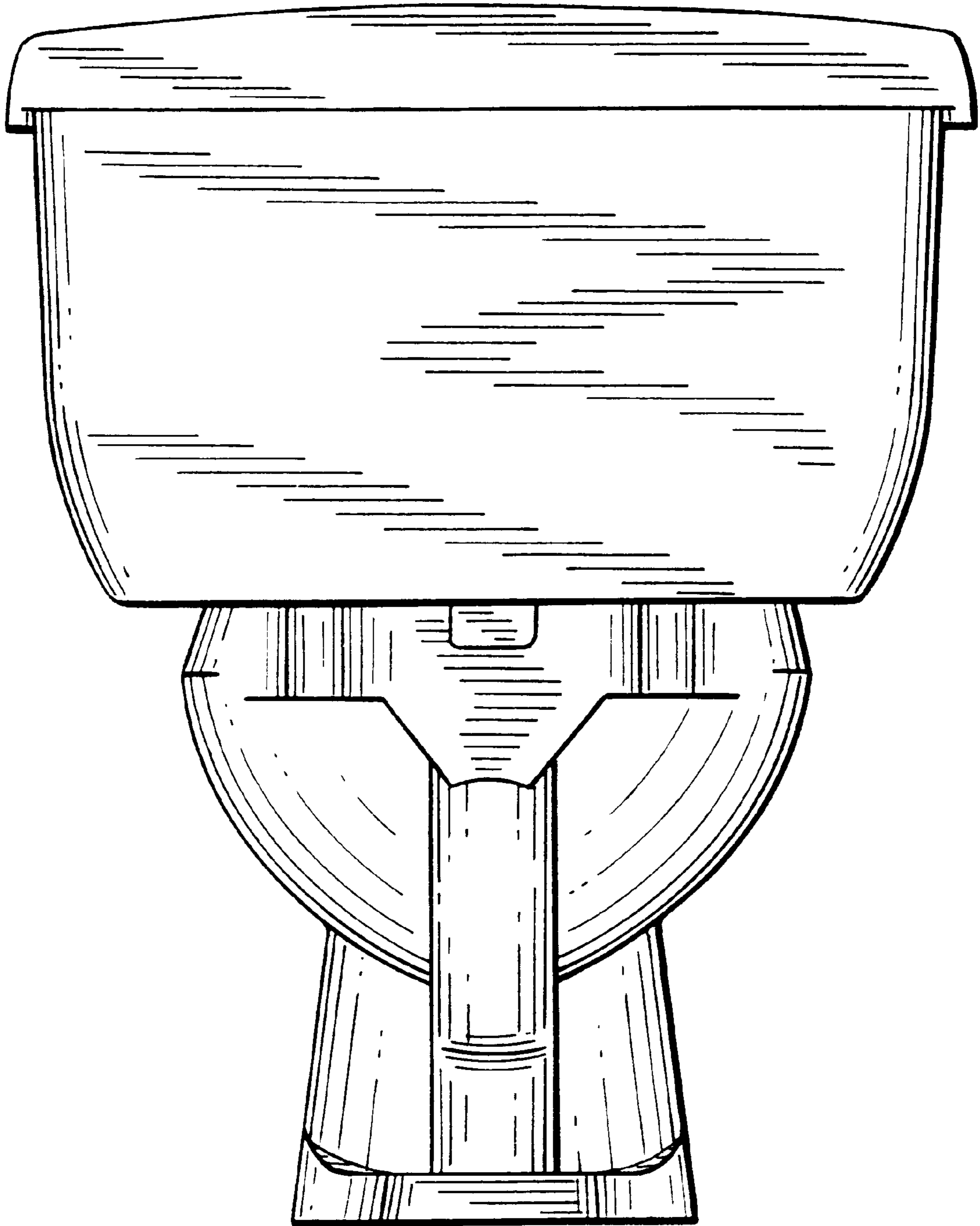


FIG. 5



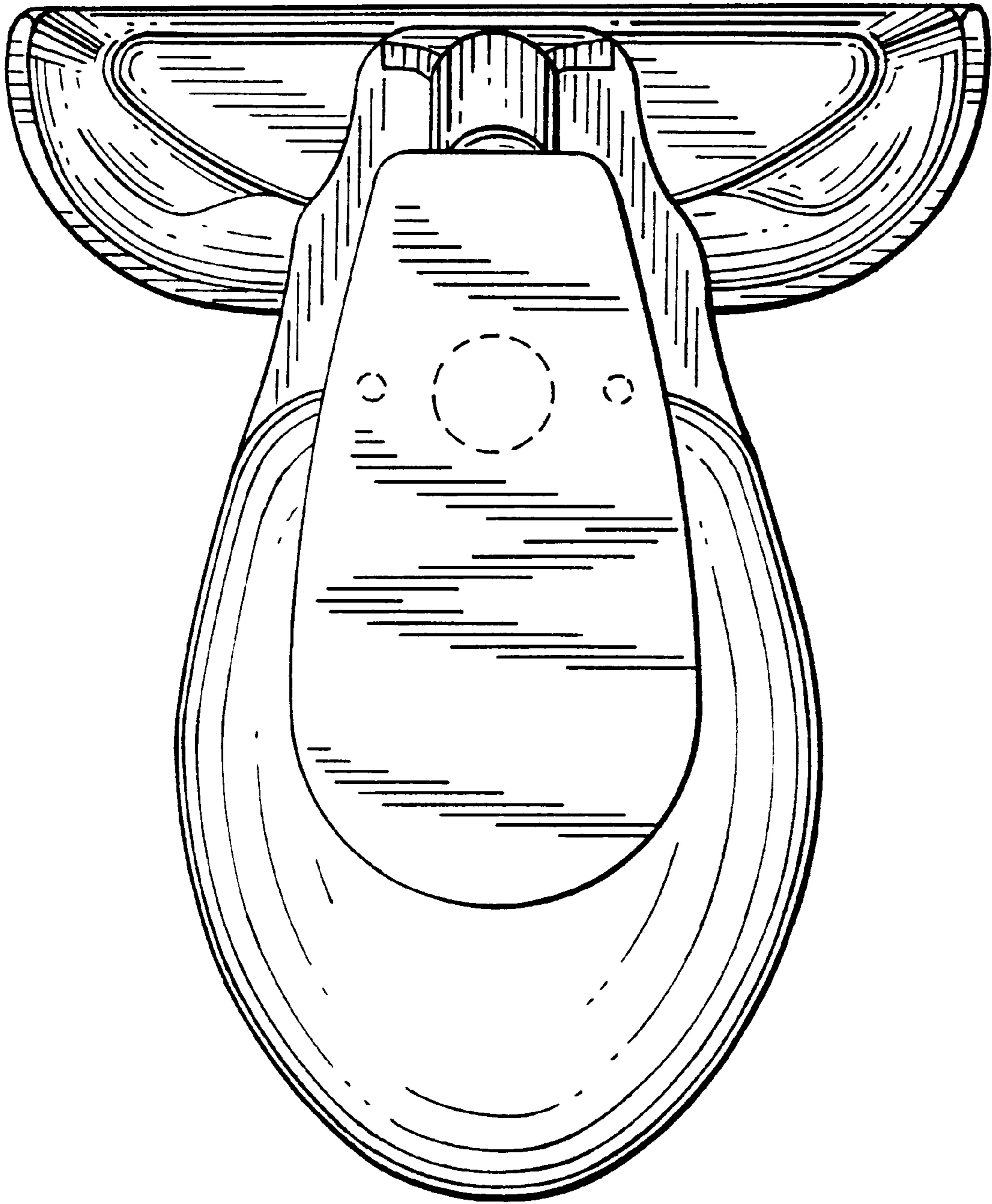


FIG. 6