



US00D410996S

**United States Patent** [19]  
**Ben-Tsur**

[11] **Patent Number: Des. 410,996**

[45] **Date of Patent: \*\* Jun. 15, 1999**

[54] **SHOWERHEAD**

4,043,511 8/1977 Nakamura ..... 239/394

[75] Inventor: **Gilad Ben-Tsur**, Kibbutz Kfar  
Hahoresch 16960, Israel

*Primary Examiner*—Alan P. Douglas  
*Assistant Examiner*—Robin V. Taylor  
*Attorney, Agent, or Firm*—Myron B. Kapustij; Leon E. Redman

[73] Assignee: **Alsons Corporation**, Hillsdale, Mich.

[\*\*] Term: **14 Years**

[57] **CLAIM**

[21] Appl. No.: **29/088,093**

The ornamental design for a showerhead, as shown and described.

[22] Filed: **May 14, 1998**

**DESCRIPTION**

[51] **LOC (6) Cl.** ..... **23-01**

[52] **U.S. Cl.** ..... **D23/229**

[58] **Field of Search** ..... D23/223, 226,  
D23/229, 230; 239/459, 460, 461, 394

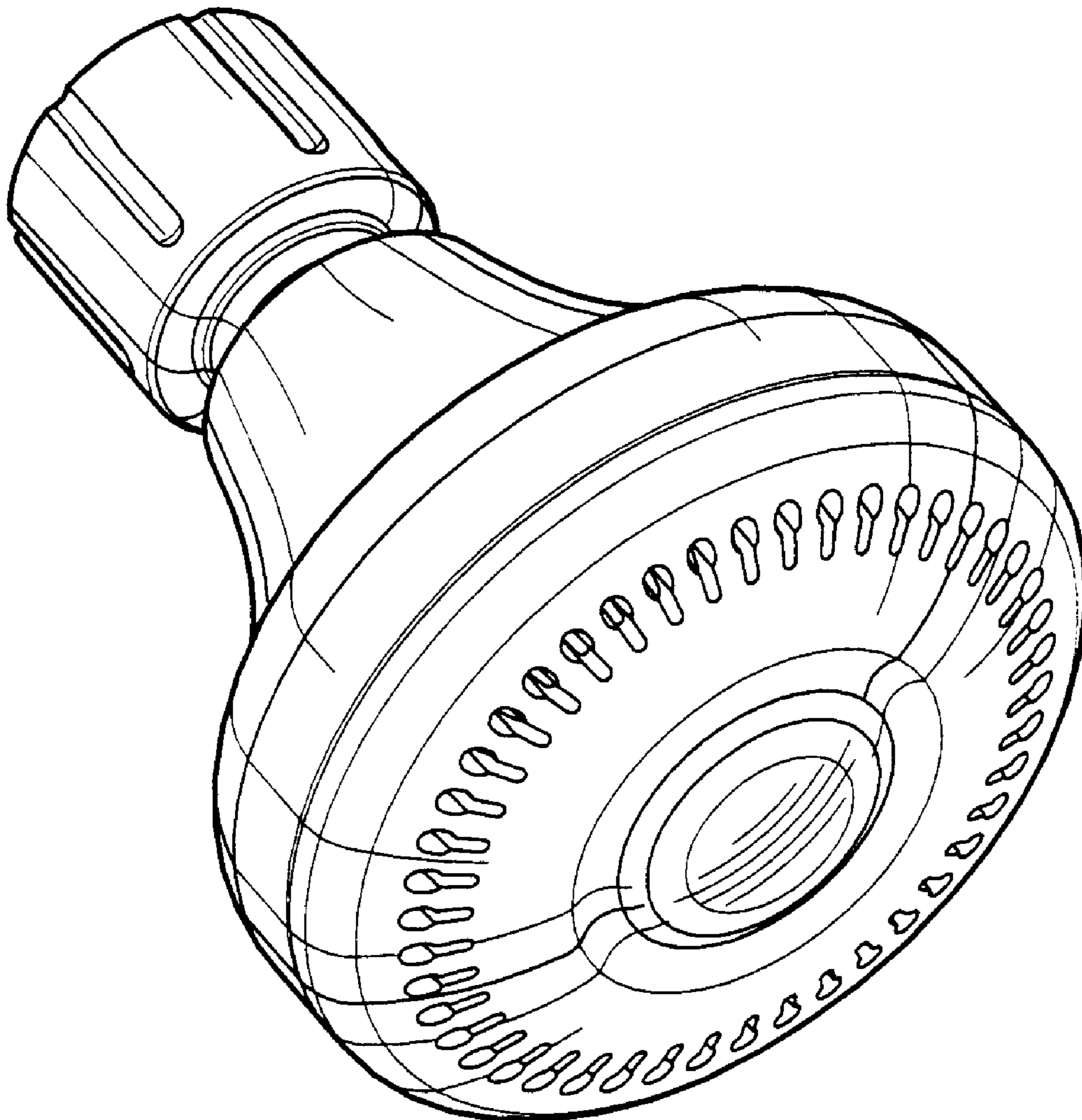
FIG. 1 is a front perspective view of a showerhead showing my new design;  
FIG. 2 is a rear perspective view thereof;  
FIG. 3 is a front elevational view thereof;  
FIG. 4 is a side elevational view thereof, the other side being a mirror image; and,  
FIG. 5 is a rear elevational view thereof.

[56] **References Cited**

**U.S. PATENT DOCUMENTS**

- D. 290,497 6/1987 Huen ..... D23/229
- D. 393,047 3/1998 Andrus et al. .... D23/213

**1 Claim, 2 Drawing Sheets**



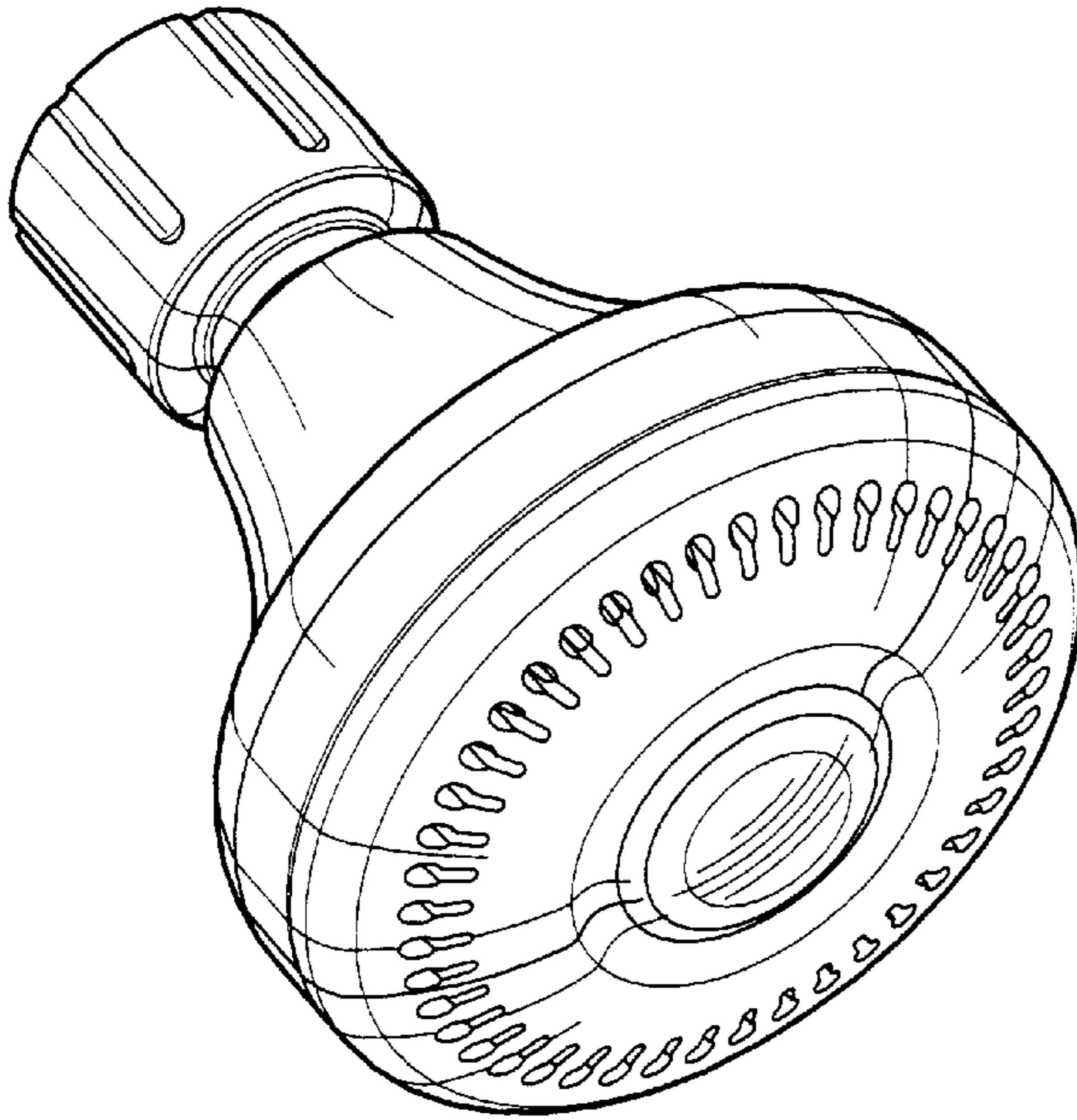


Fig-1

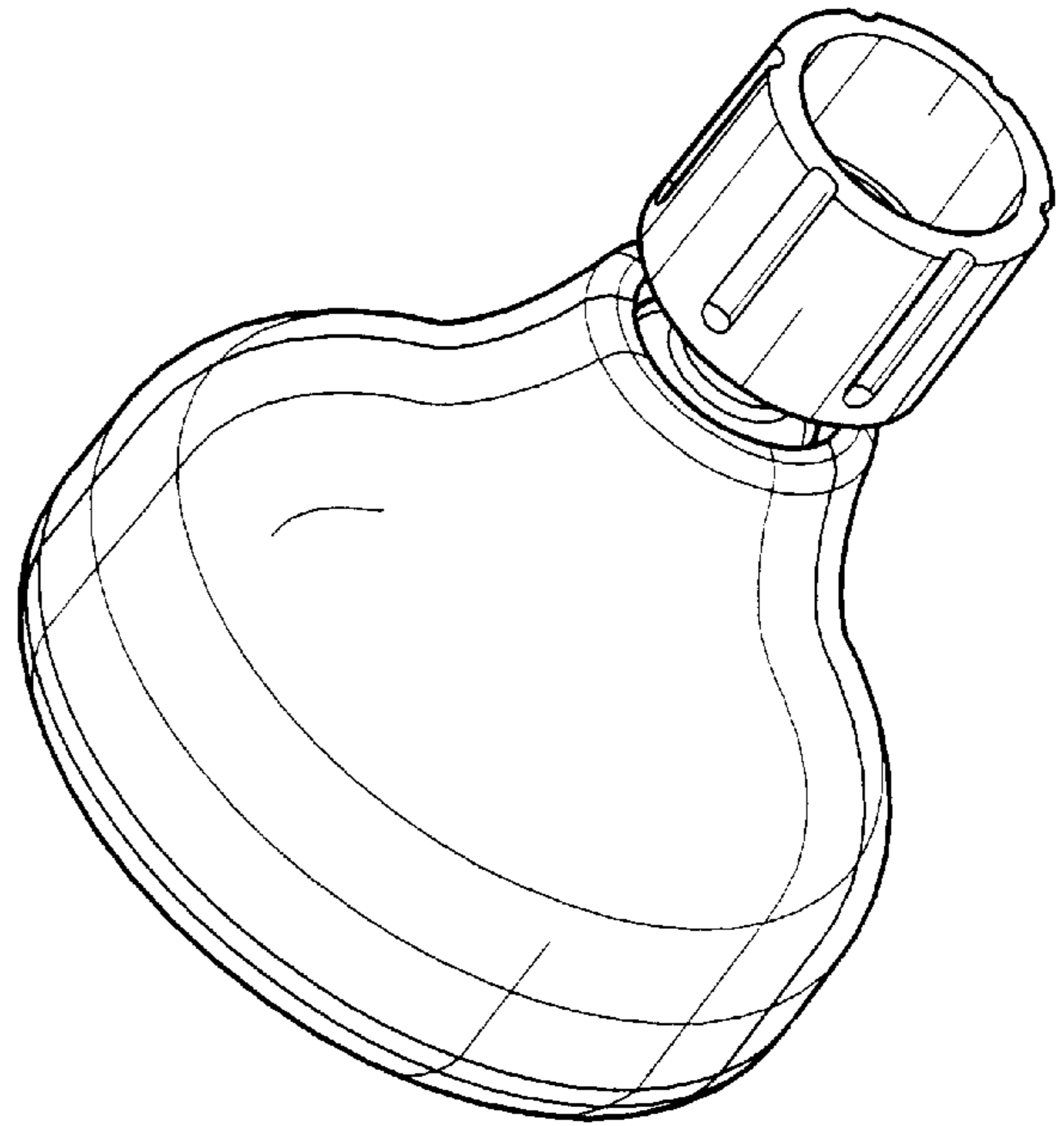


Fig-2

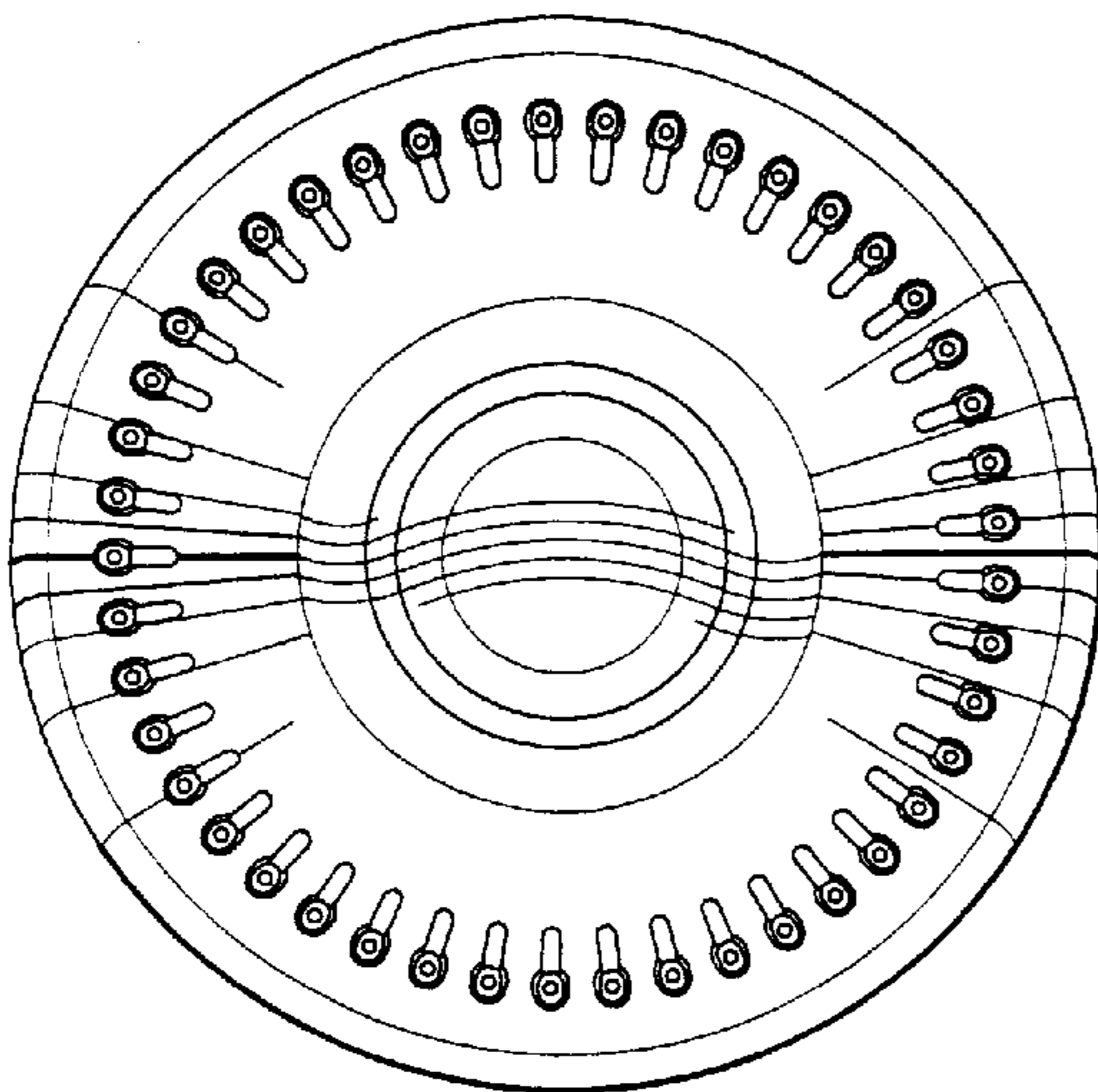


Fig-3

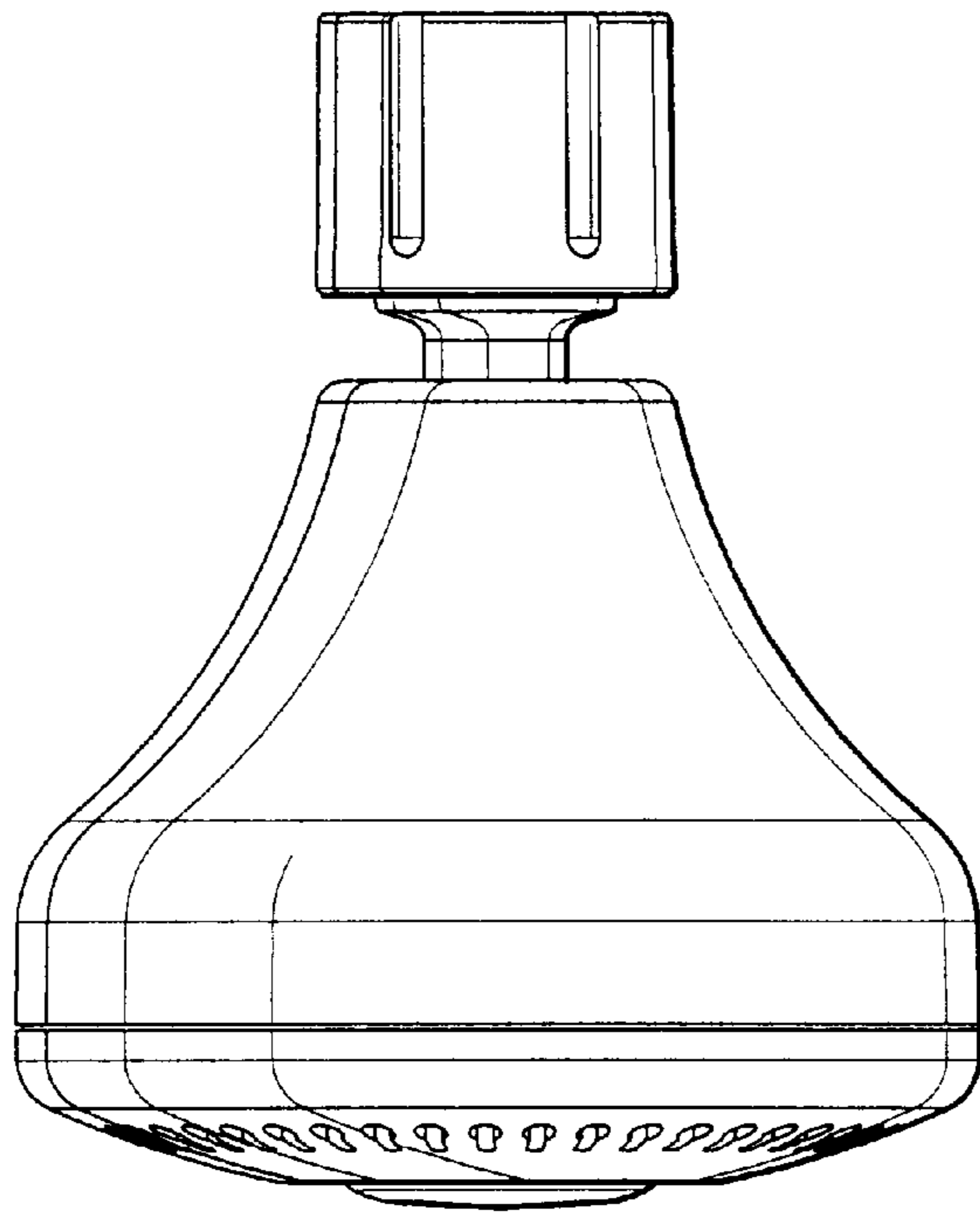


Fig-4

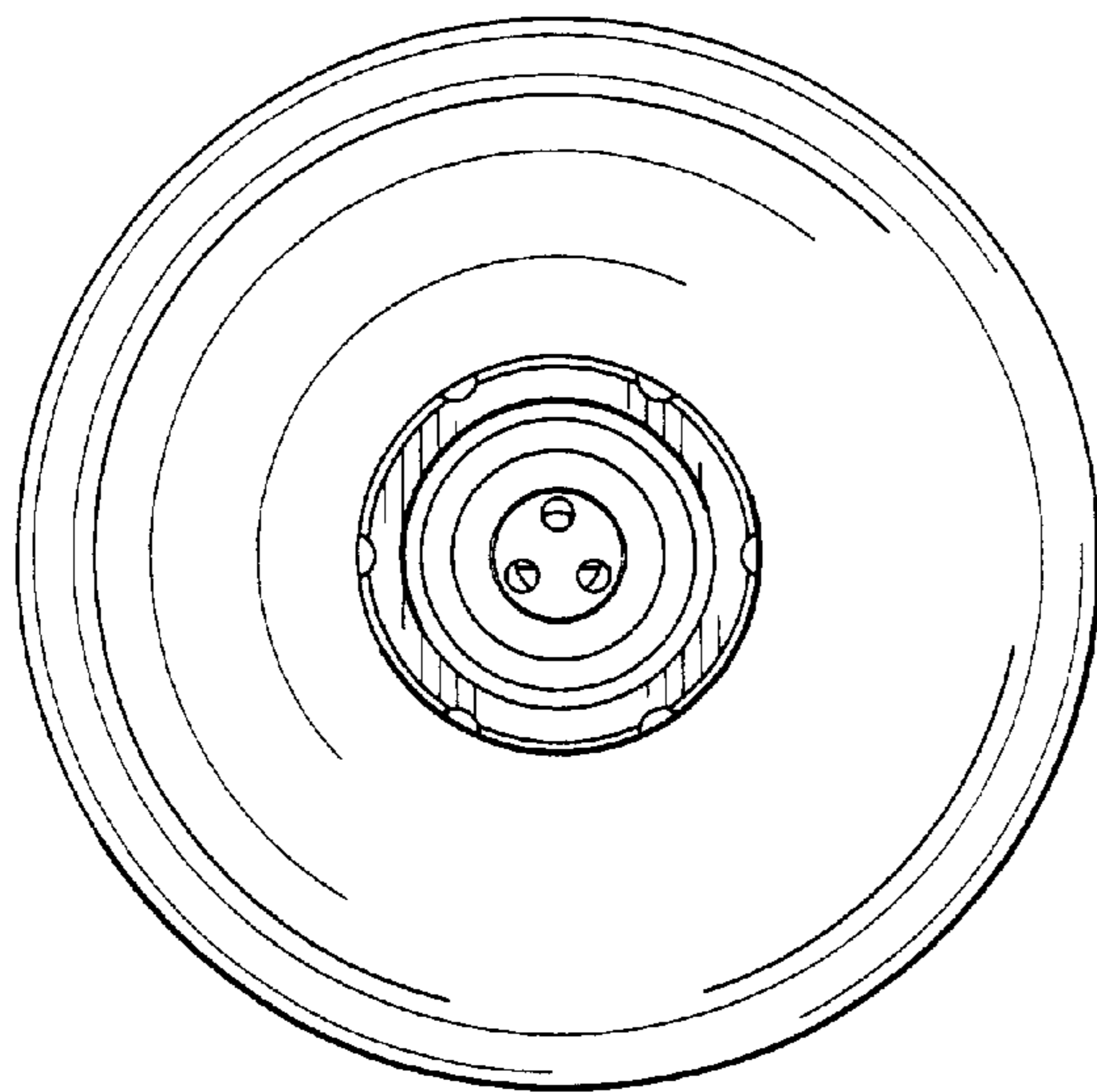


Fig-5