



US00D410993S

# United States Patent [19]

Andrus et al.

[11] Patent Number: Des. 410,993

[45] Date of Patent: \*\* \*Jun. 15, 1999

[54] **SHOWERHEAD**

[75] Inventors: **Leonard C. Andrus**, Plymouth; **Ronald D. Green**, New Hudson; **Bruce Higgins**, South Lyon, all of Mich.

[73] Assignee: **Brass-Craft Manufacturing Company**, Novi, Mich.

[\*] Notice: This patent is subject to a terminal disclaimer.

[\*\*] Term: **14 Years**

[21] Appl. No.: **29/071,432**

[22] Filed: **May 29, 1997**

[51] **LOC (6) Cl.** ..... **23-01**

[52] **U.S. Cl.** ..... **D23/223**

[58] **Field of Search** ..... D23/213, 223-4, D23/226; 239/394, 276, 459-460, 525-528

[56] **References Cited**

**U.S. PATENT DOCUMENTS**

- D. 113,439 2/1939 Reinecke .
- D. 118,419 1/1940 Rockwood .
- D. 208,526 9/1967 Delamater .
- D. 245,859 9/1977 Grube .
- D. 251,678 4/1979 Kwan ..... D23/223
- D. 261,300 10/1981 Klose .
- D. 261,417 10/1981 Klose .
- D. 267,582 1/1983 Mackay et al. .
- D. 268,359 3/1983 Klose .
- D. 269,540 6/1983 Larsson .
- D. 295,437 4/1988 Fabian .
- D. 313,456 1/1991 Presman .
- D. 313,833 1/1991 Presman .
- D. 314,608 2/1991 Presman .
- D. 315,191 3/1991 Mikol .
- D. 320,064 9/1991 Presman .
- D. 327,115 6/1992 Rogers .
- D. 327,729 7/1992 Rogers .
- D. 332,303 1/1993 Klose .
- D. 333,338 2/1993 Klose .
- D. 334,046 3/1993 Klose .
- D. 334,048 3/1993 Ben-Zur .
- D. 337,810 7/1993 Bengtson et al. .
- D. 339,627 9/1993 Klose .
- D. 349,947 8/1994 Hung-Wah ..... D23/223
- D. 354,334 1/1995 Koenig ..... D23/223

- D. 355,951 2/1995 Ran .
- D. 363,114 10/1995 Andrus .
- D. 363,341 10/1995 Starck ..... D23/223
- D. 367,696 3/1996 Andrus .
- D. 368,761 4/1996 Andrus .
- D. 369,203 4/1996 Andrus .
- D. 369,204 4/1996 Andrus .
- D. 369,205 4/1996 Andrus .
- D. 377,965 2/1997 Andrus .
- 3,180,579 4/1965 Tomaso .
- 3,468,483 9/1969 Parkison .
- 4,203,550 5/1980 On .
- 4,303,201 12/1981 Elkins et al. .
- 4,588,130 5/1986 Trenary et al. .
- 4,629,125 12/1986 Liu .
- 5,297,735 3/1994 Heimann et al. .

*Primary Examiner*—Alan P. Douglas  
*Assistant Examiner*—Robin V. Taylor  
*Attorney, Agent, or Firm*—Myron B. Kapustij; Leon E. Redman

[57] **CLAIM**

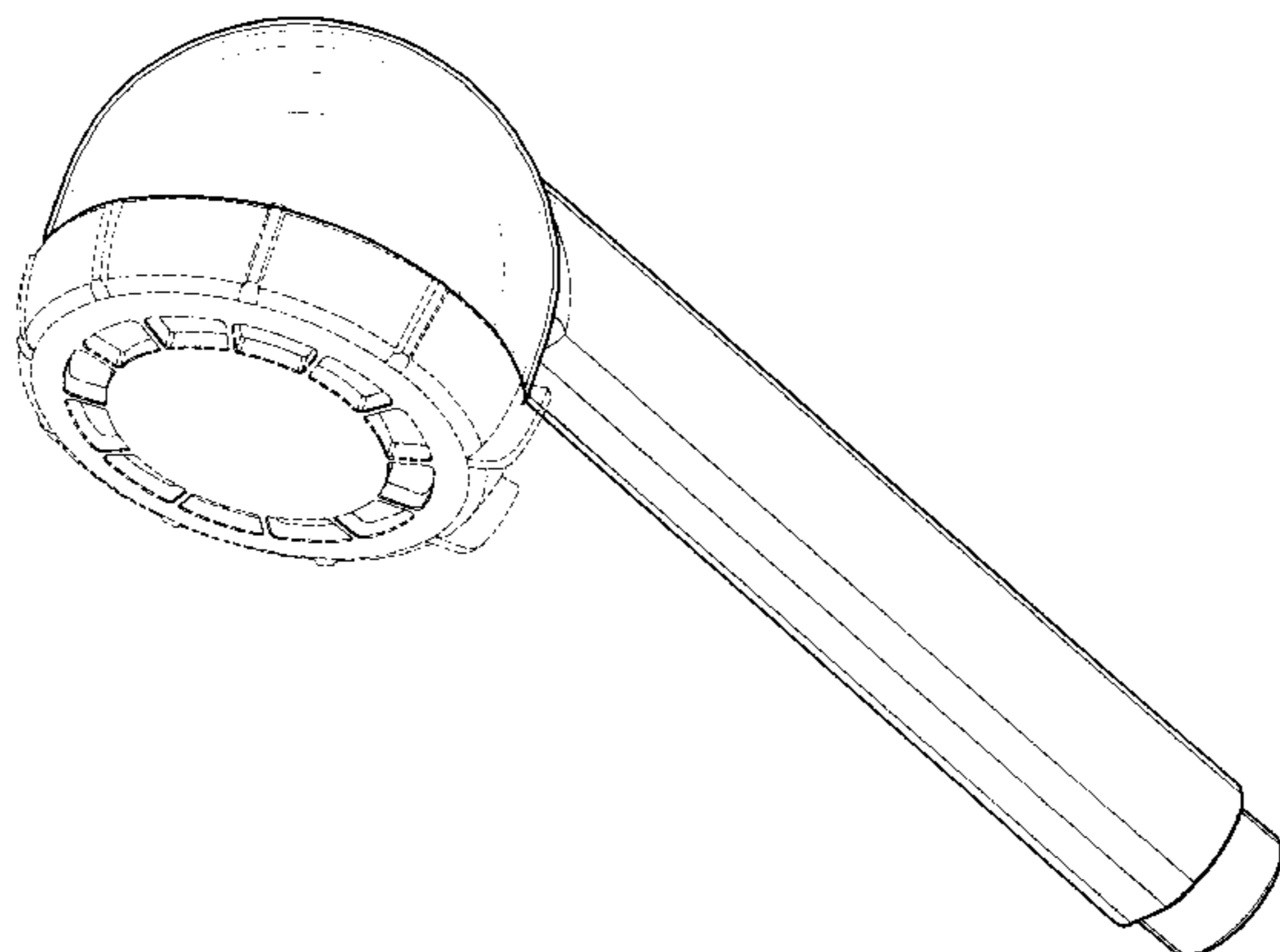
The ornamental design for a showerhead, as shown and described.

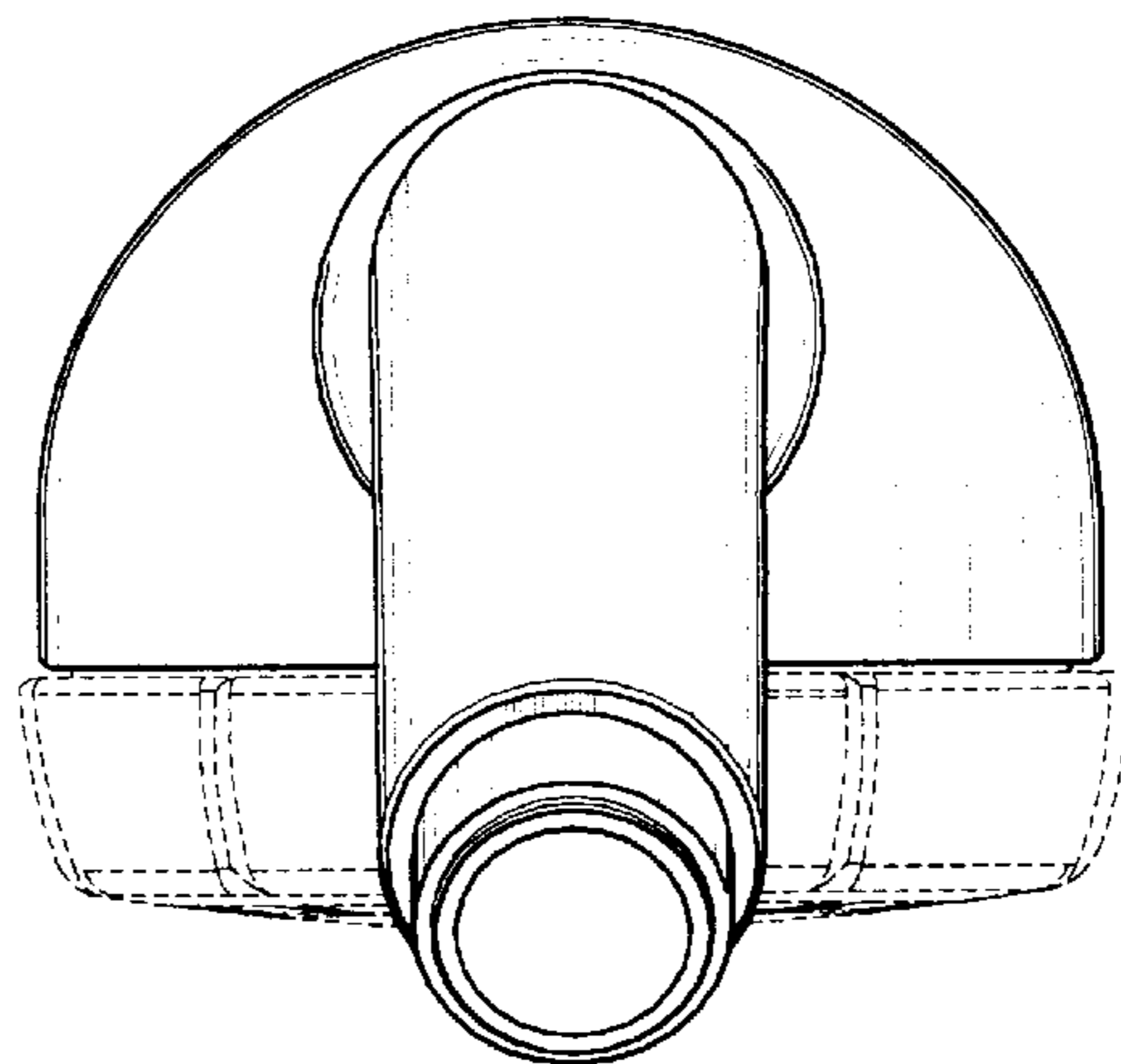
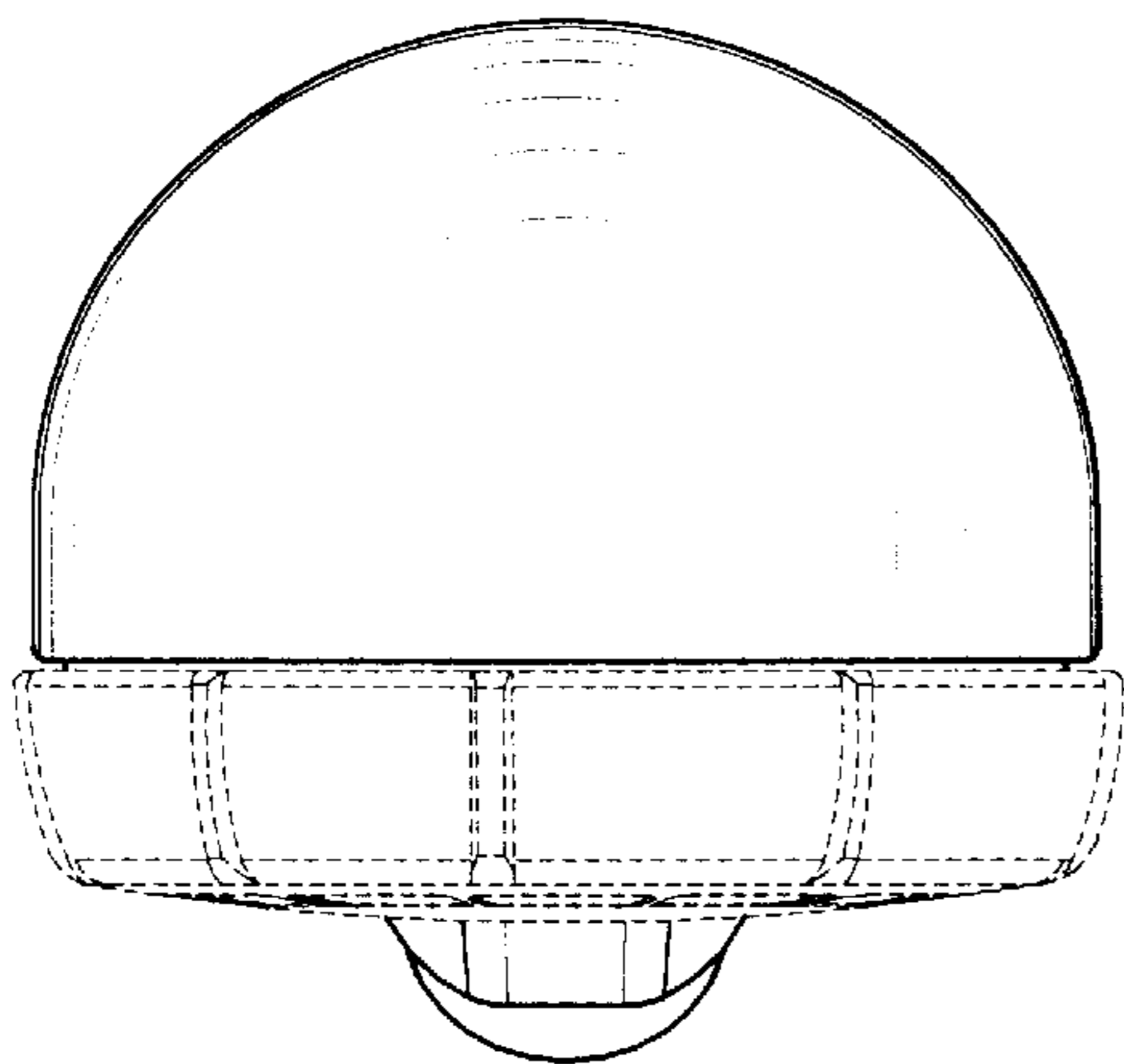
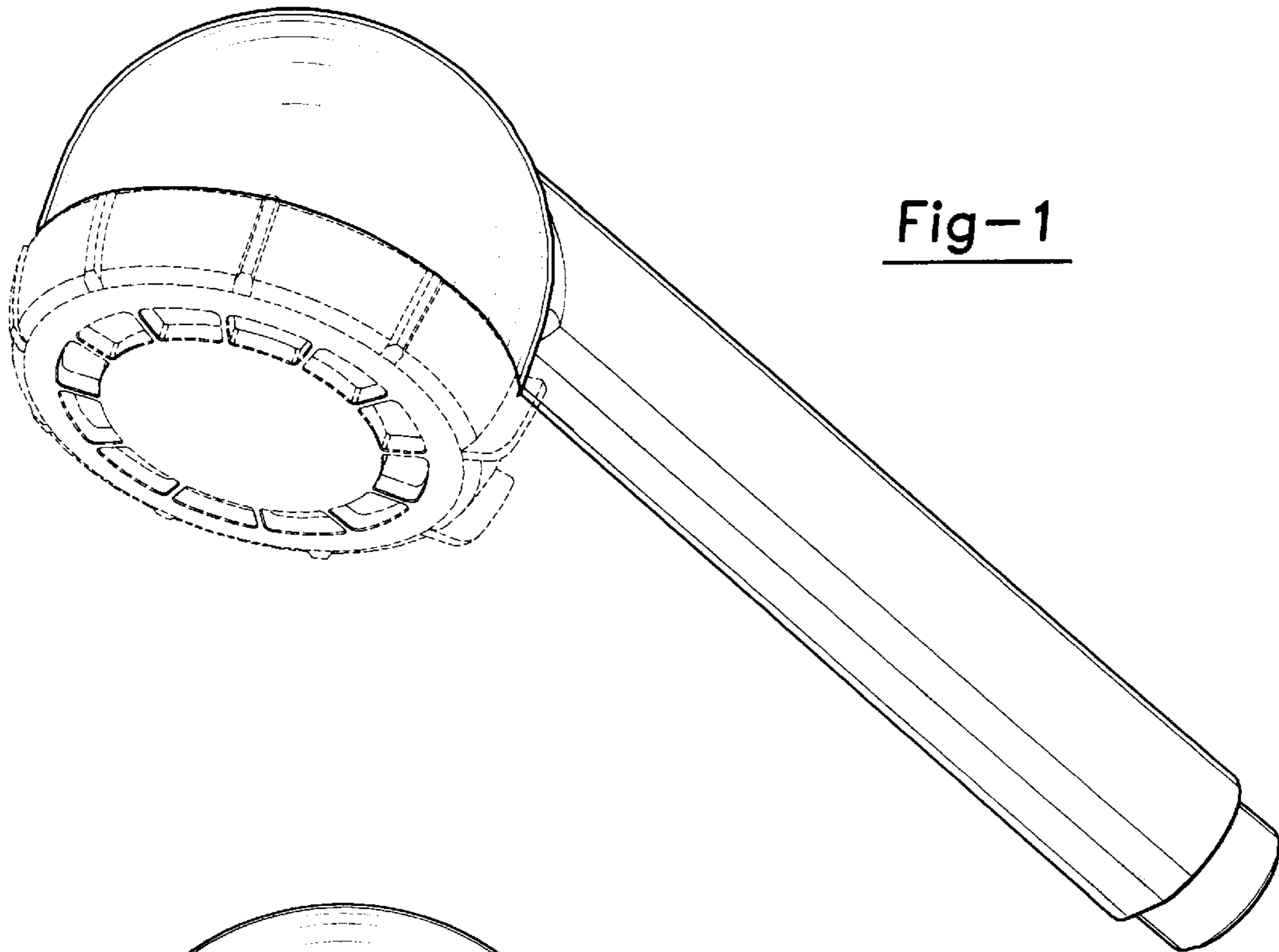
**DESCRIPTION**

FIG. 1 is a front perspective view of a showerhead showing our new design;  
 FIG. 2 is a top plan view thereof;  
 FIG. 3 is a bottom plan view thereof;  
 FIG. 4 is a left side elevational view thereof, the right side being a mirror image;  
 FIG. 5 is a rear elevational view thereof;  
 FIG. 6 is a front elevational view thereof;  
 FIG. 7 is a front perspective view of a second embodiment thereof differing from the embodiment shown in FIG. 1 in the shape of the head of the showerhead;  
 FIG. 8 is a top plan view of the embodiment shown in FIG. 7;  
 FIG. 9 is a bottom plan view of the embodiment shown in FIG. 7; and,  
 FIG. 10 is a left side elevational view of the second embodiment shown in FIG. 7, the right side being a mirror image.

The broken line representation of the faceplate in FIGS. 1-10 is for purposes of illustration only and forms no part of FIGS. 1-10.

**1 Claim, 5 Drawing Sheets**





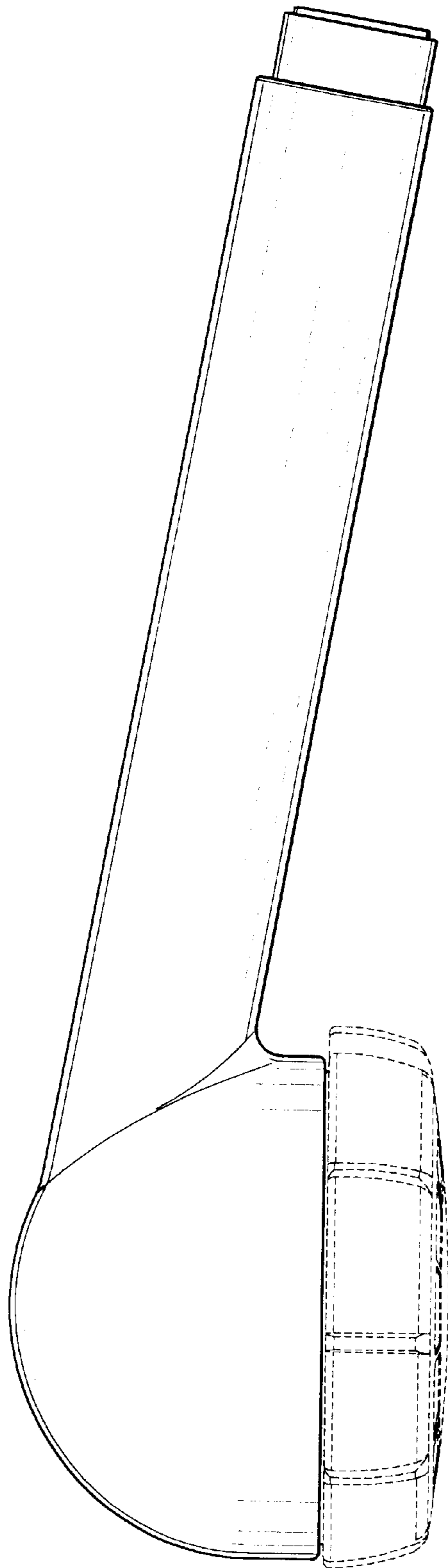


Fig-4

Fig-5

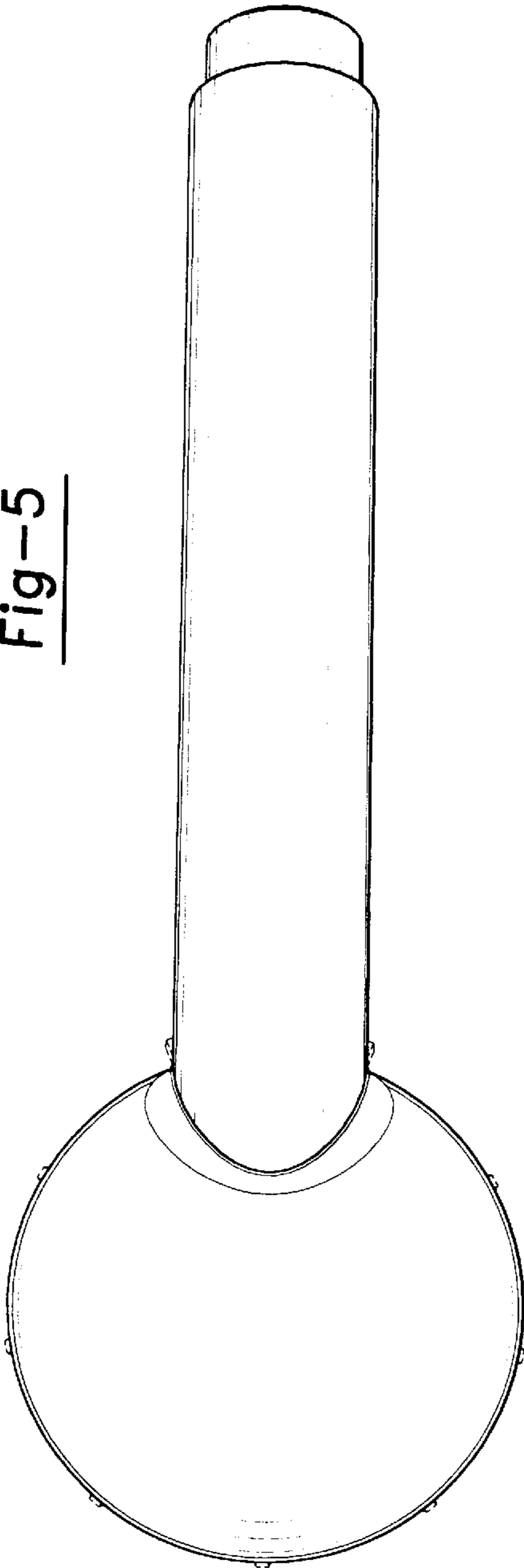
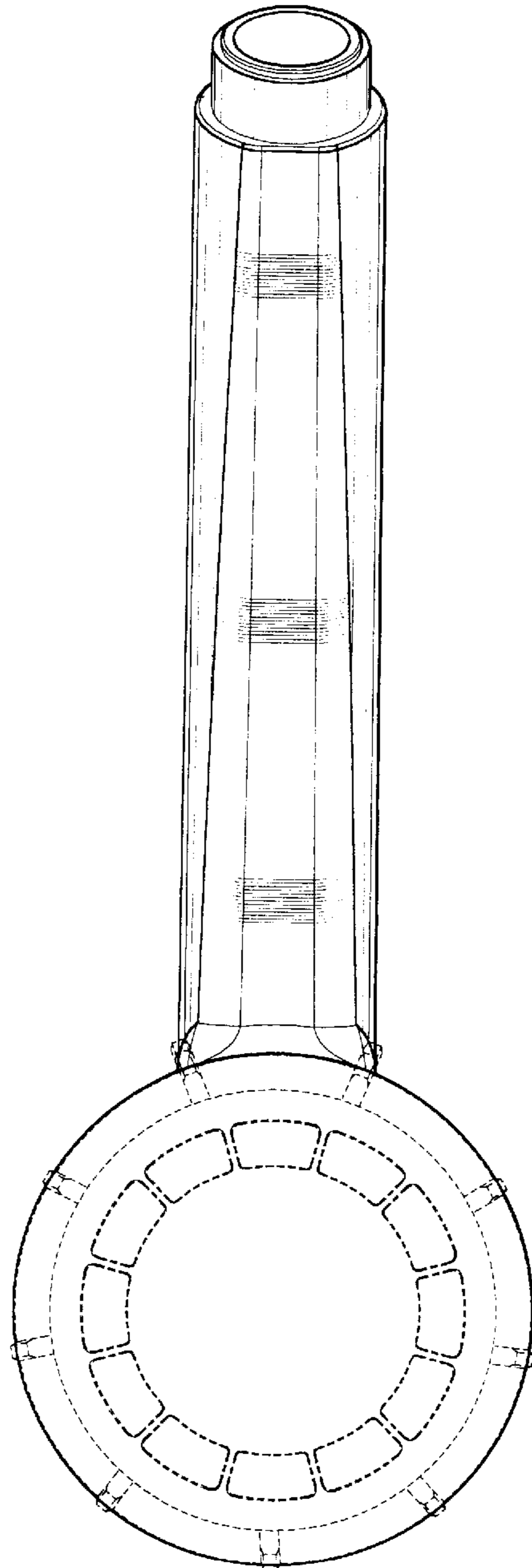


Fig-6



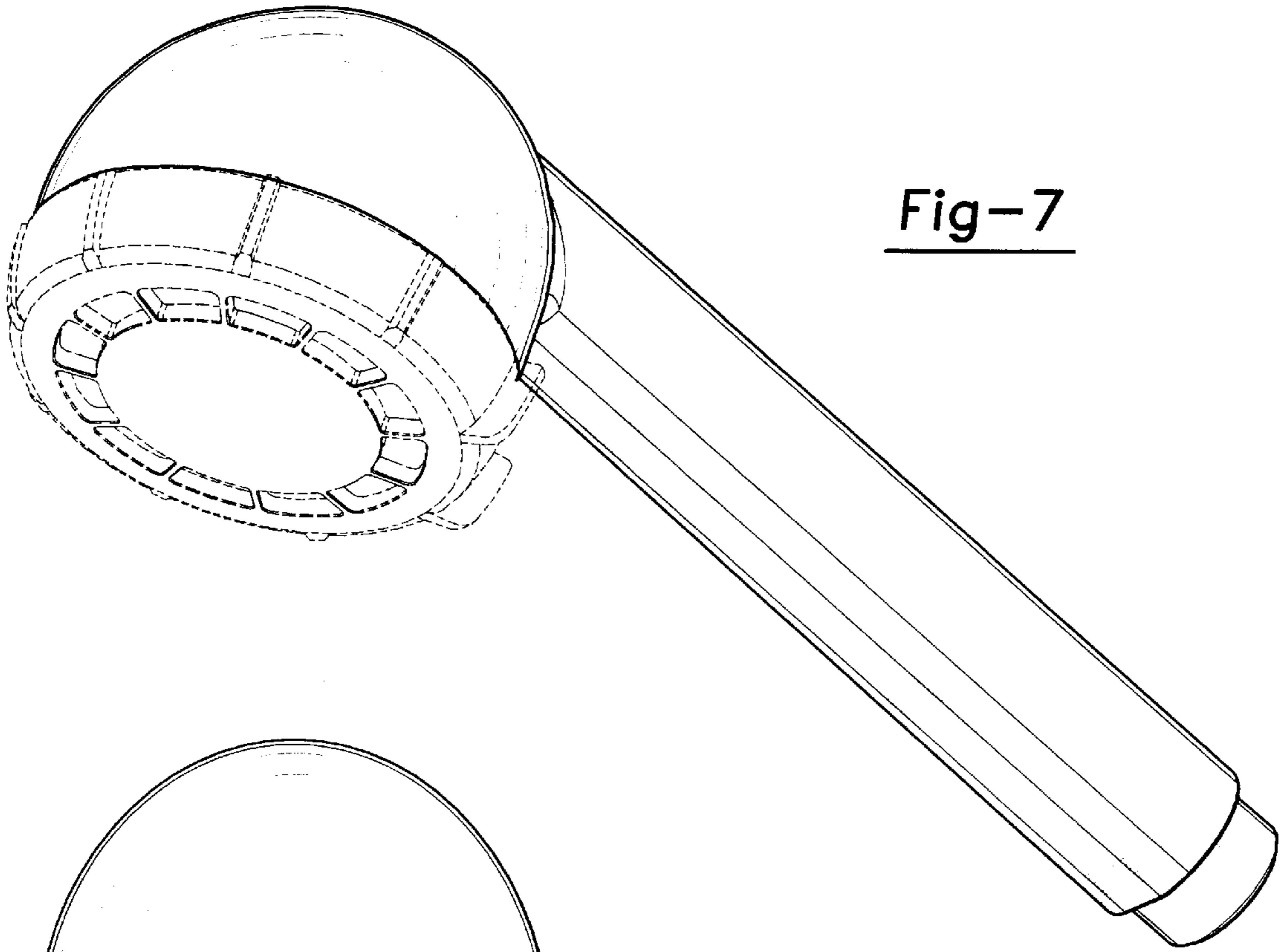


Fig-7

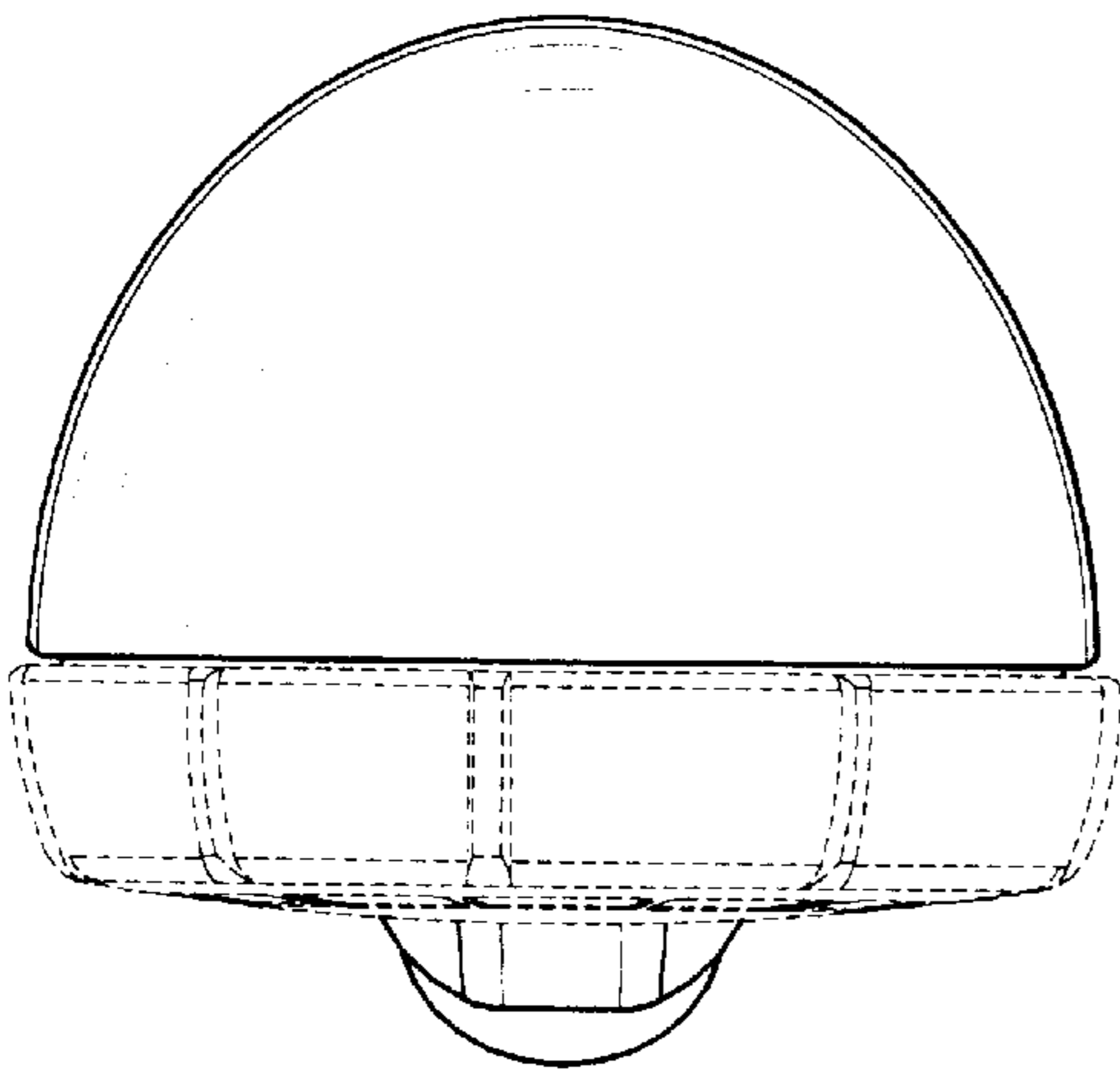


Fig-8

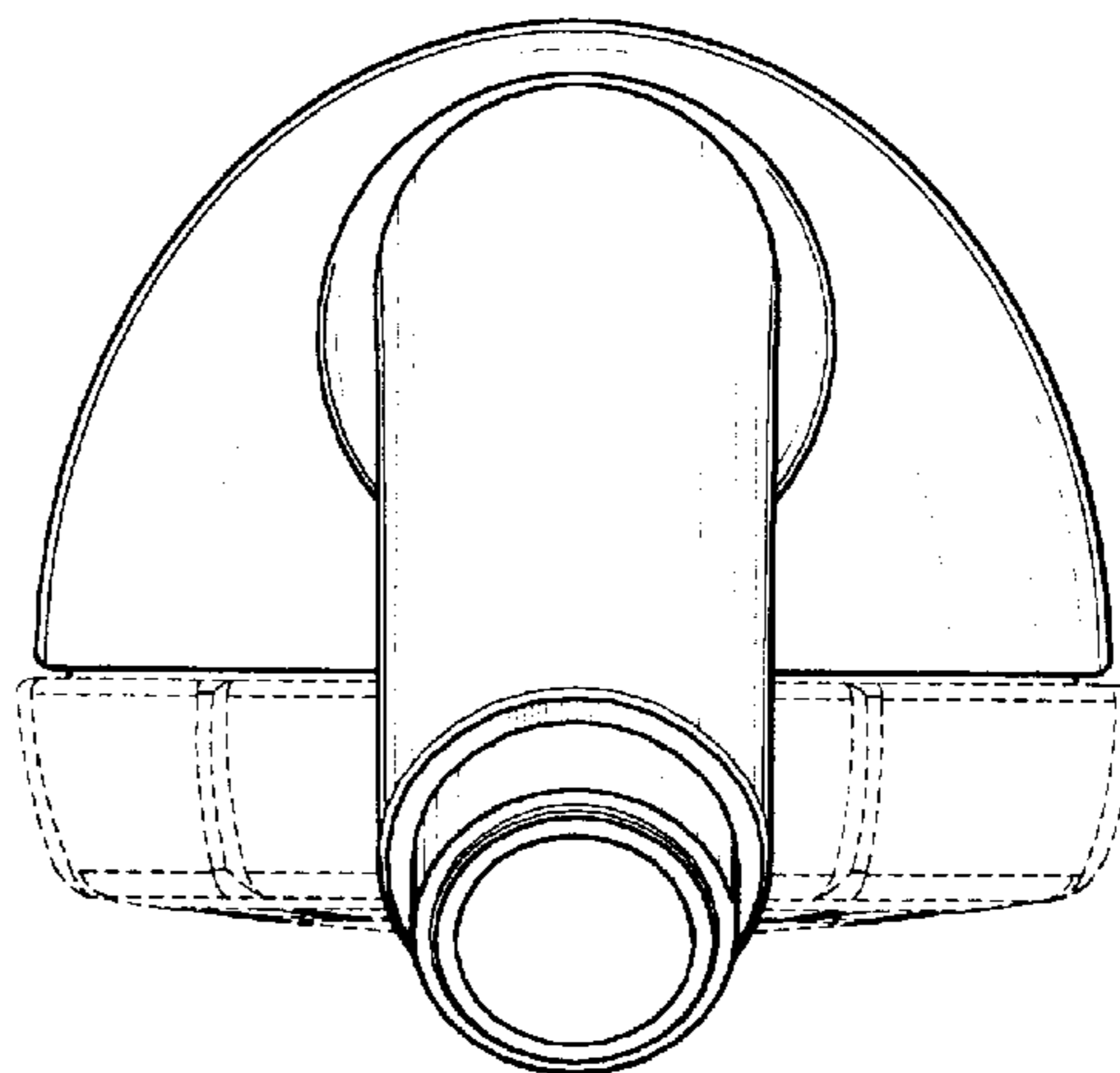


Fig-9

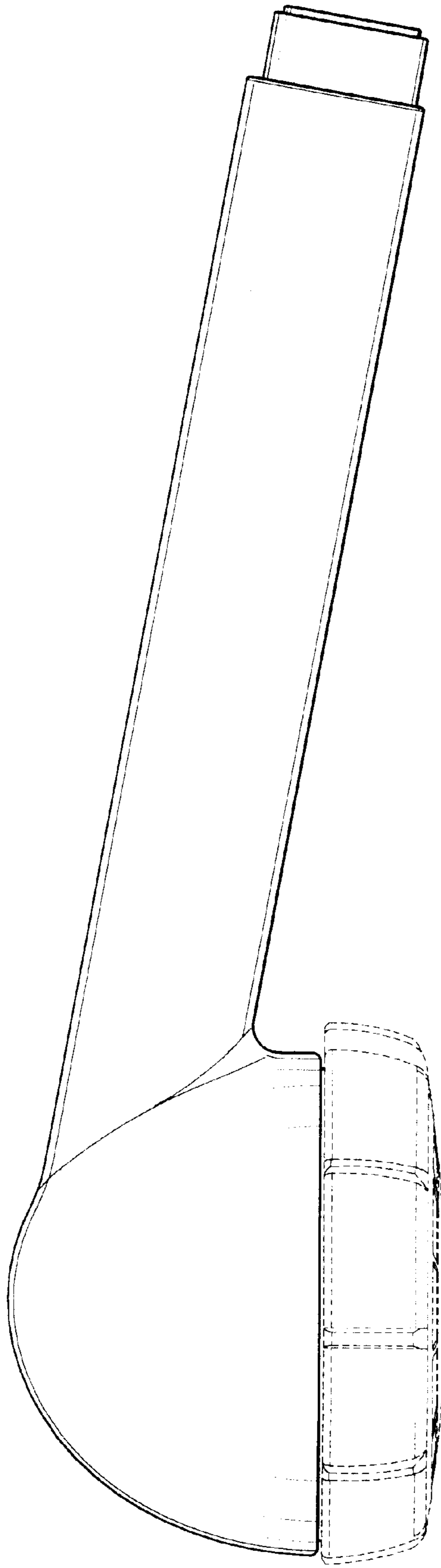


Fig-10