



US00D410992S

# United States Patent [19]

[11] **Patent Number: Des. 410,992**

**Cross**

[45] **Date of Patent: \*\* Jun. 15, 1999**

[54] **SPLIT FLOW DIFFUSER FOR AN AQUARIUM**

5,084,164 1/1992 Del Rosari ..... 210/94  
5,480,593 1/1996 Marcum et al. .... 261/77

[75] Inventor: **Shawn A. Cross**, Montrose, Calif.

*Primary Examiner*—Louis S. Zarfes  
*Assistant Examiner*—Eric Watterson  
*Attorney, Agent, or Firm*—Pillsbury Madison & Sutro

[73] Assignee: **Aquaria, Inc.**, Moorpark, Calif.

[\*\*] Term: **14 Years**

[57] **CLAIM**

[21] Appl. No.: **29/089,152**

The ornamental design for a split flow diffuser for an aquarium, as shown.

[22] Filed: **Jun. 9, 1998**

**DESCRIPTION**

[51] **LOC (6) Cl.** ..... **23-01**

FIG. 1 is a front perspective view of a split flow diffuser for an aquarium, showing my new design;  
FIG. 2 is a front elevational view thereof;  
FIG. 3 is a rear elevational view thereof;  
FIG. 4 is a left side elevational view, the right side being a mirror image thereof;  
FIG. 5 is a cross-sectional view taken along line 5—5 of FIG. 4;  
FIG. 6 is a top plan view thereof; and,  
FIG. 7 is a bottom plan view thereof.

[52] **U.S. Cl.** ..... **D23/210**

[58] **Field of Search** ..... D23/209, 210,  
D23/200; 119/261, 263; 210/167, 169, 416.2,  
416.1, 448, 452, 94; 261/77, 124

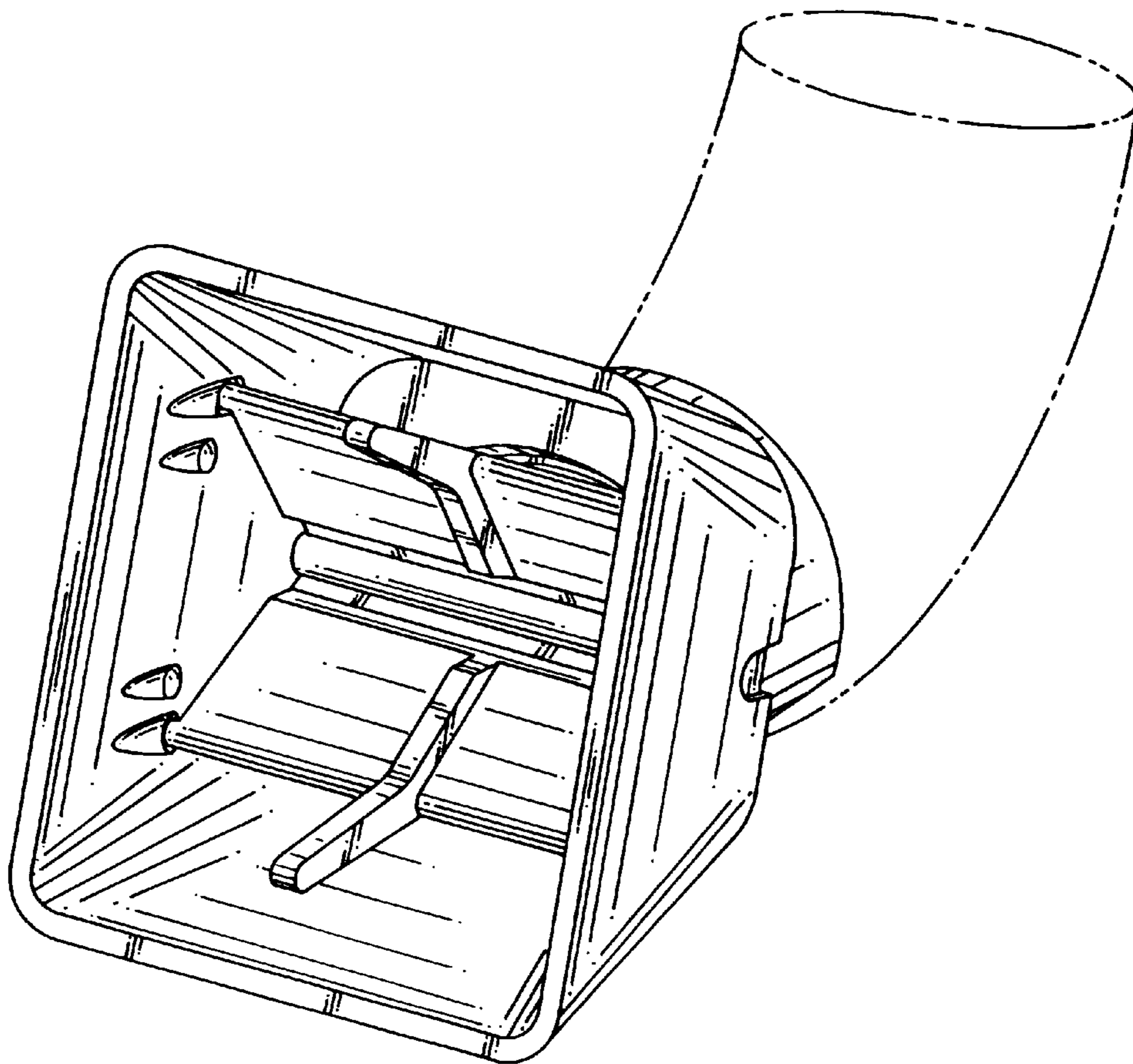
[56] **References Cited**

**U.S. PATENT DOCUMENTS**

D. 246,724	12/1977	Willinger	.....	D23/210
D. 383,829	9/1997	Guo	.....	D23/210
4,186,093	1/1980	Willinger	.....	210/169
4,279,842	7/1981	Belveal	.....	261/124
5,006,230	4/1991	Votava, III et al.	.....	210/94

The broken line showing is for illustrative purposes only and forms no part of the claimed design.

**1 Claim, 3 Drawing Sheets**



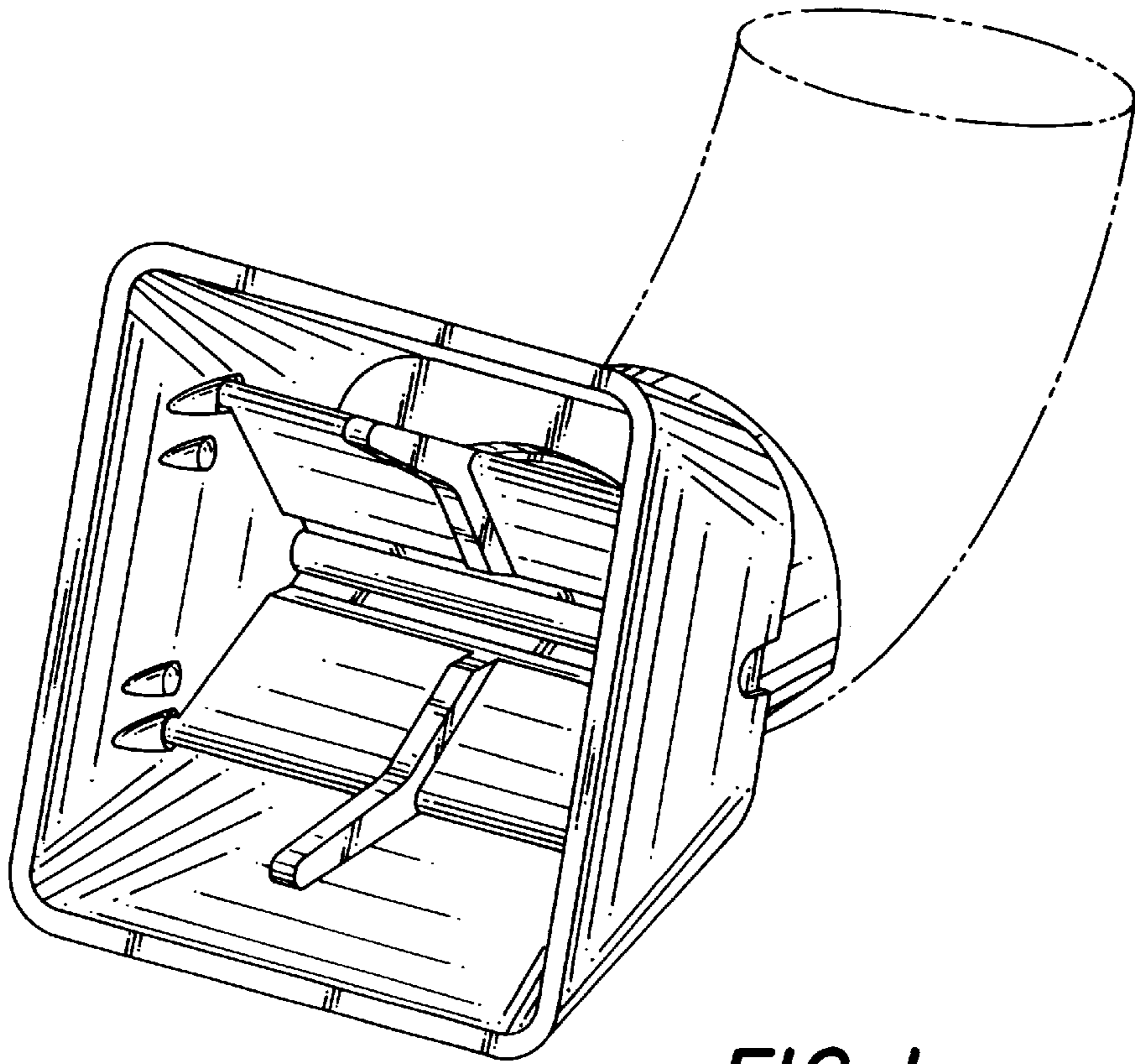


FIG. 1

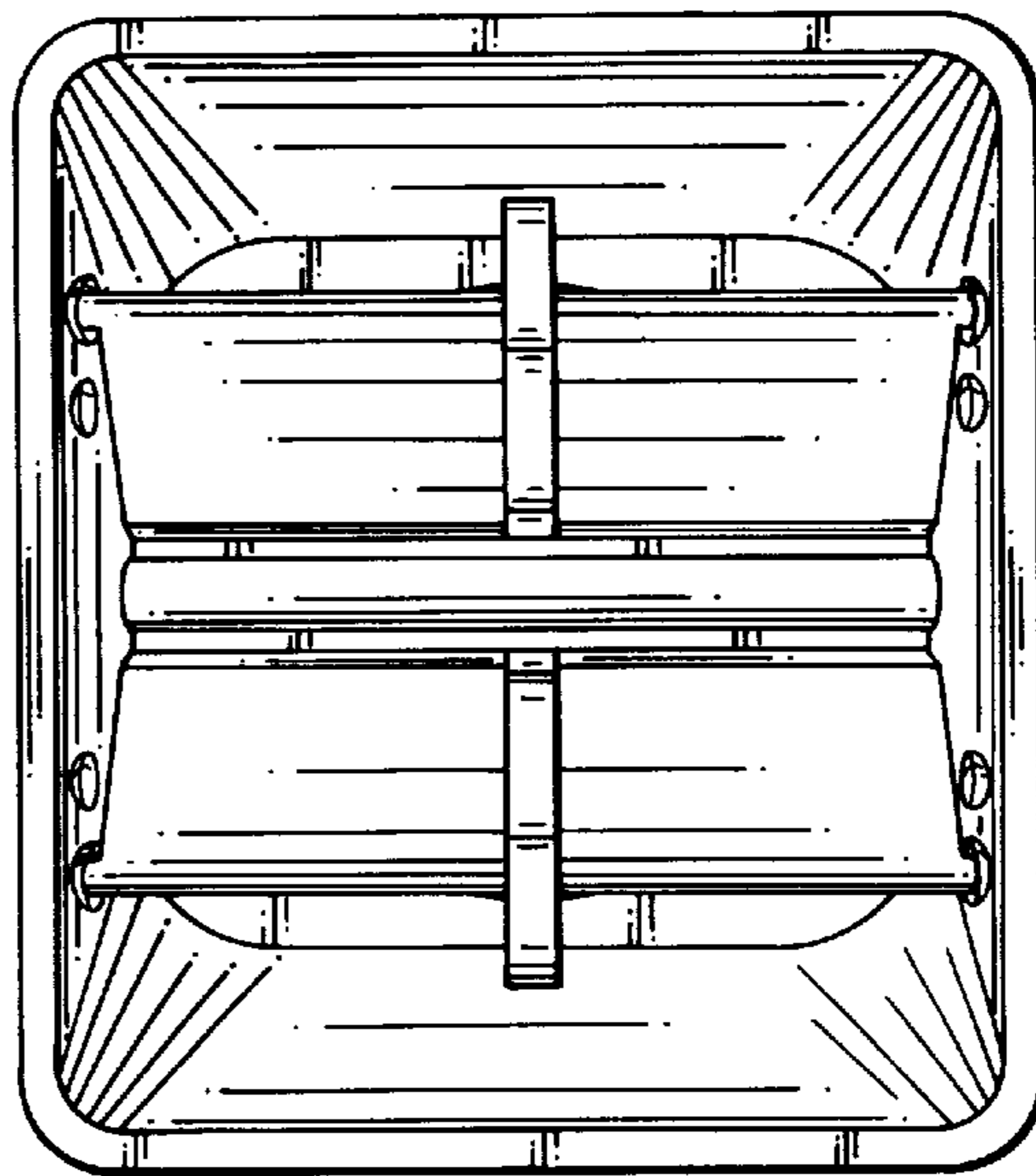


FIG. 2

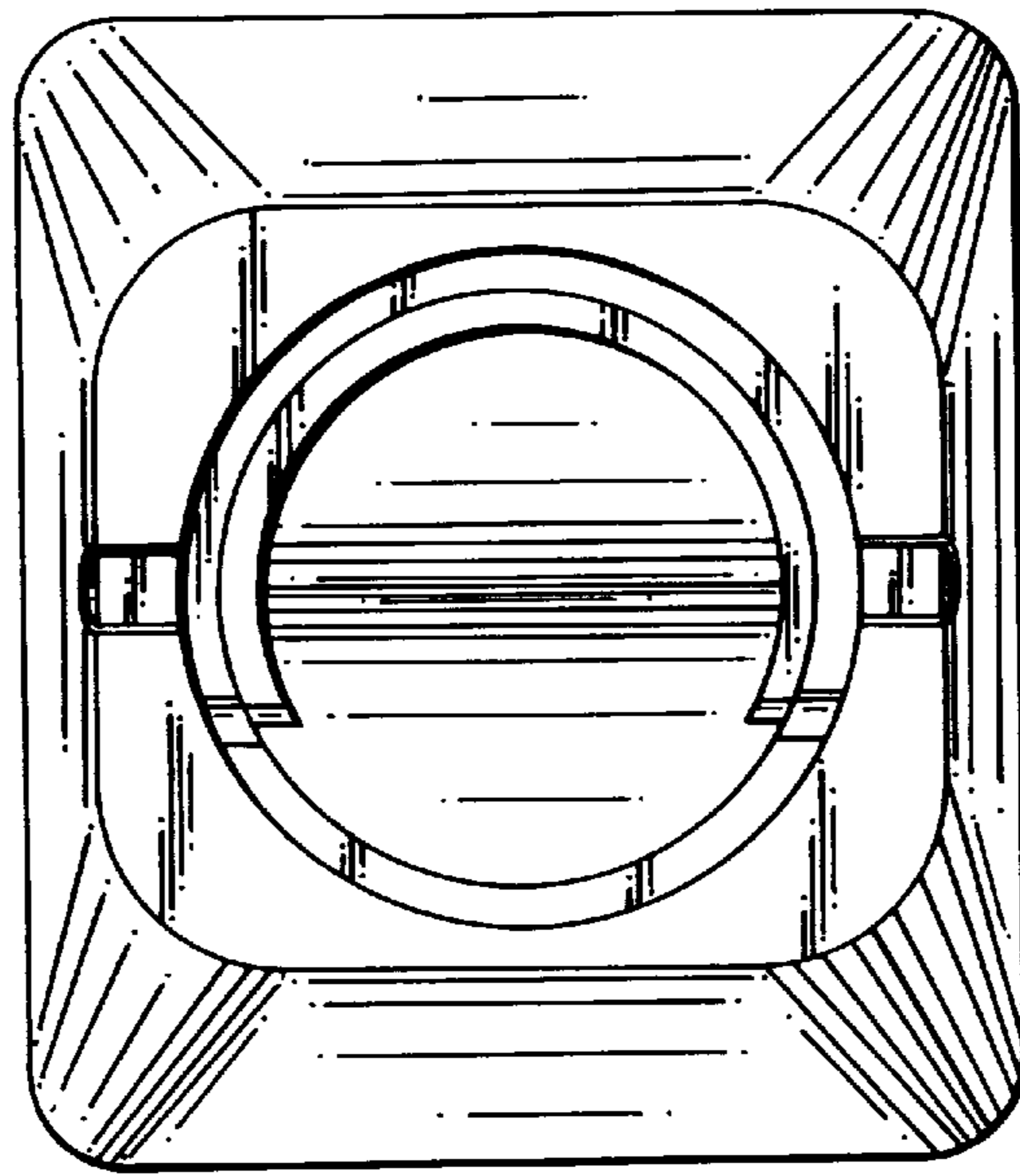


FIG. 3

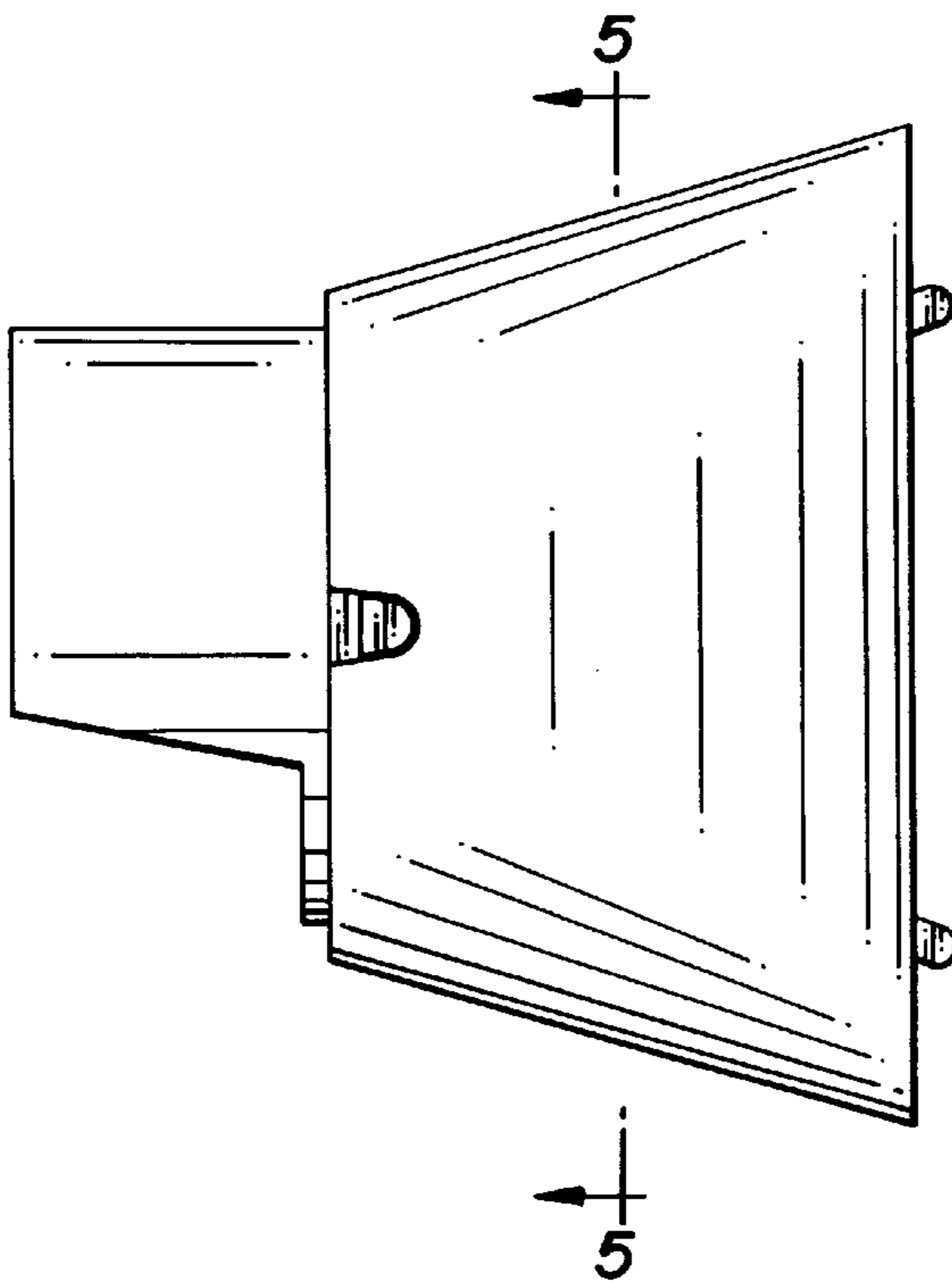


FIG. 4

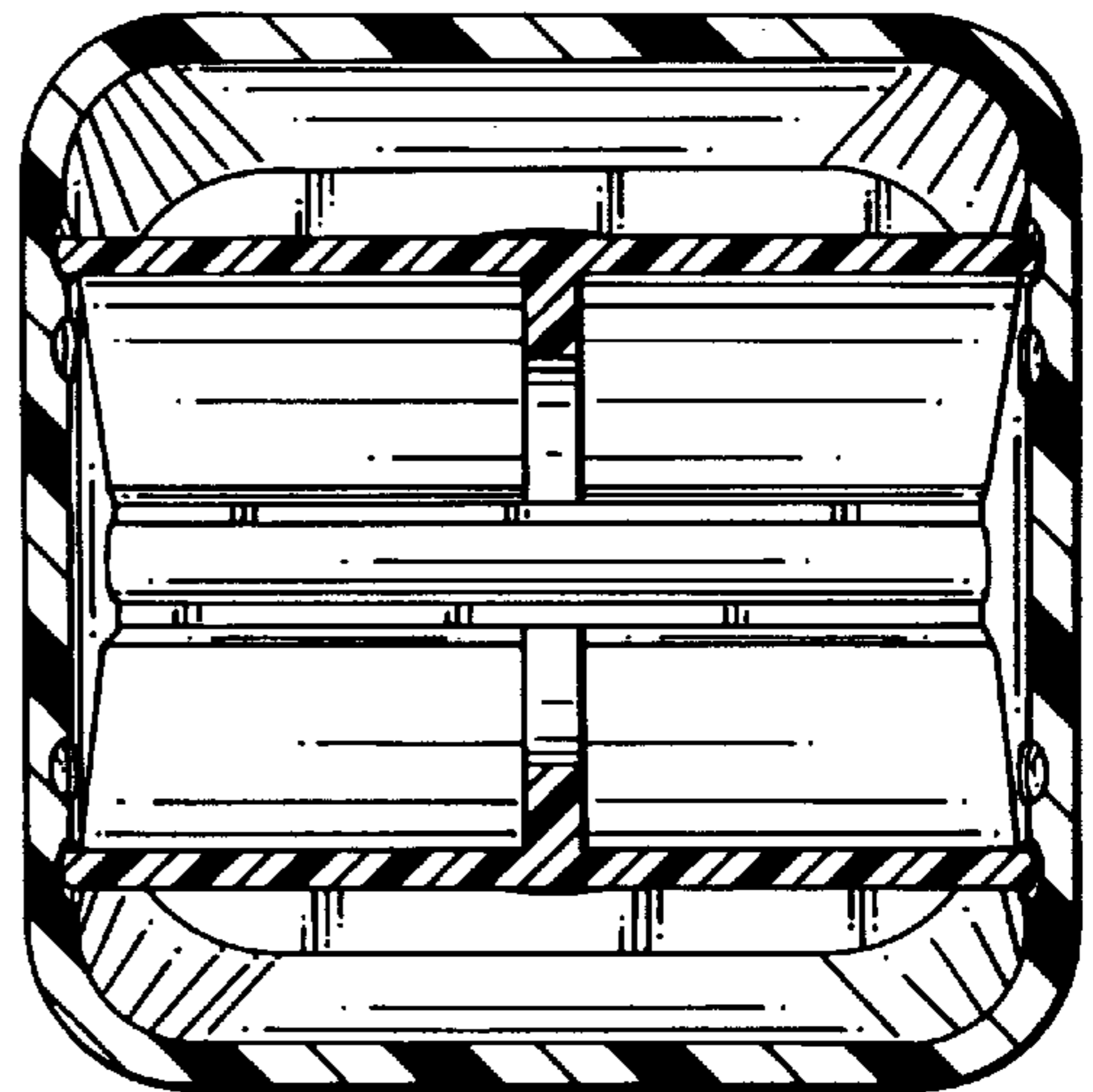
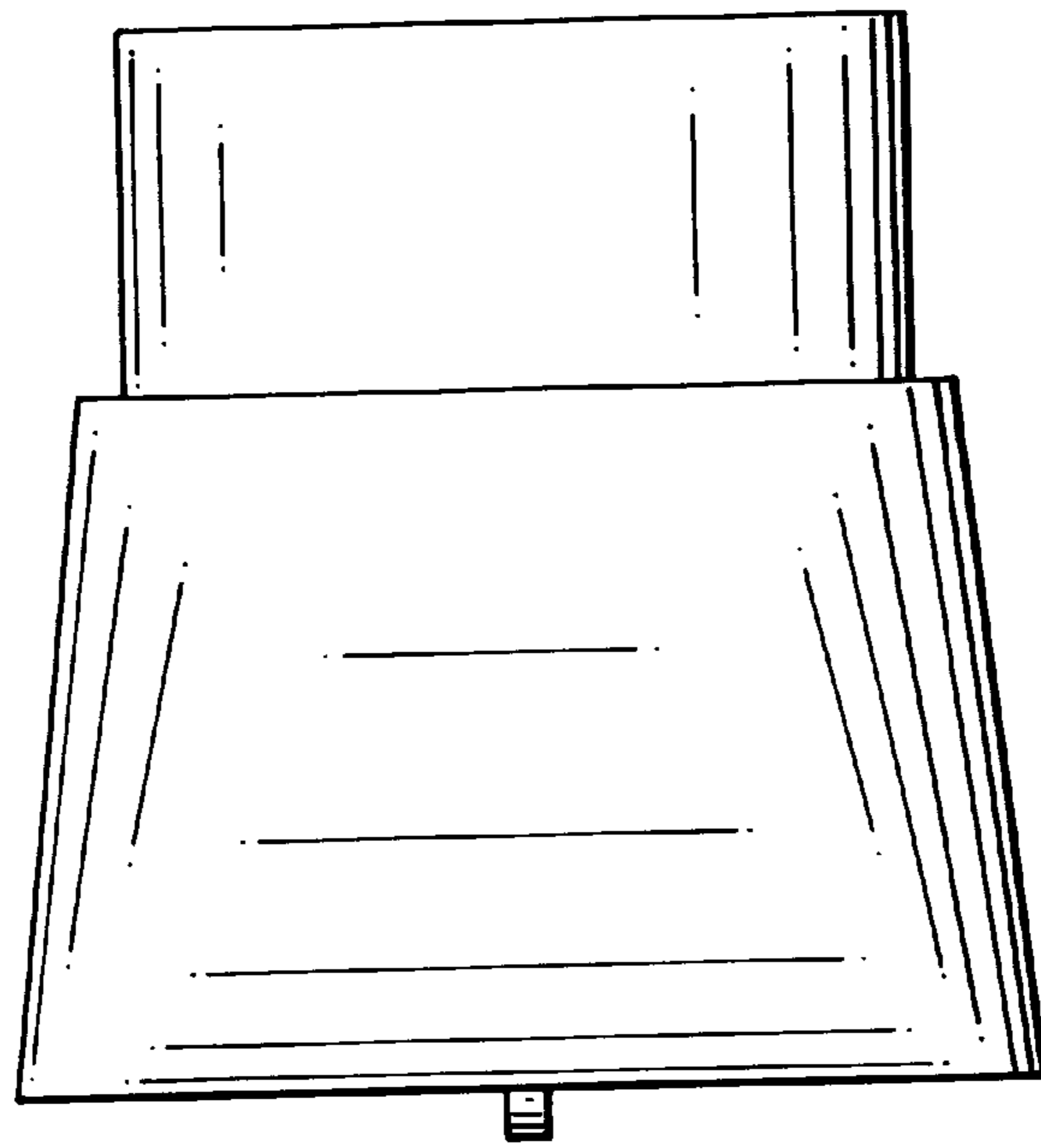
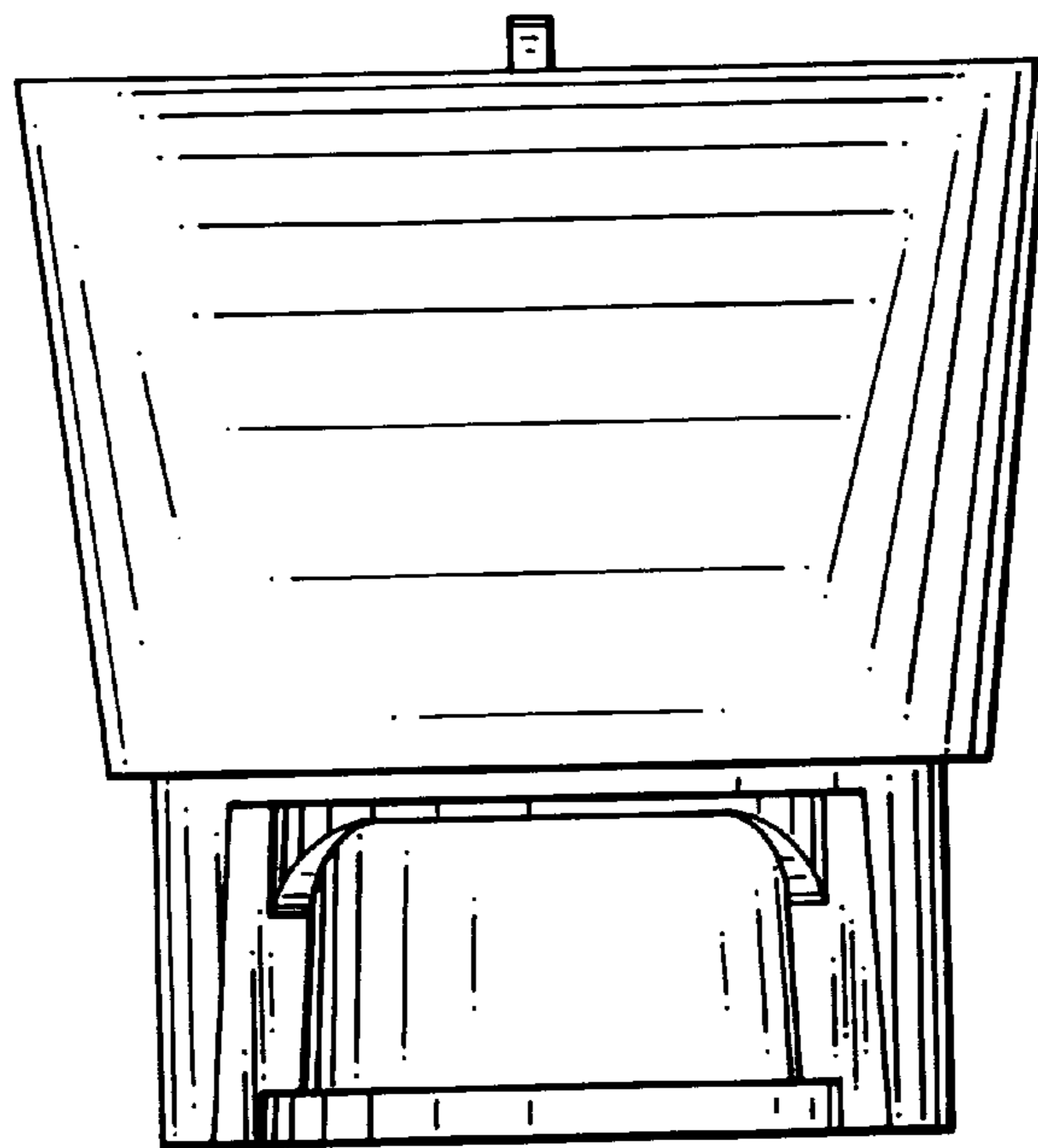


FIG. 5



**FIG. 6**



**FIG. 7**