



US00D410991S

United States Patent [19] Miyazaki

[11] **Patent Number: Des. 410,991**
[45] **Date of Patent: ** *Jun. 15, 1999**

[54] **SPOOL FOR A FISHING REEL**
[75] Inventor: **Takeo Miyazaki**, Higashikurume, Japan
[73] Assignee: **Daiwa Seiko, Inc.**, Tokyo, Japan
[*] Notice: This patent is subject to a terminal disclaimer.
[**] Term: **14 Years**

782223 2/1990 Japan .
782223-1 3/1990 Japan .
954950-1 6/1996 Japan .
954950-2 6/1996 Japan .

Primary Examiner—Louis S. Zarfes
Assistant Examiner—Inga-Maria Hyttinen
Attorney, Agent, or Firm—Laff, Whitesel, Conte & Saret, Ltd.

[21] Appl. No.: **29/069,266**
[22] Filed: **Mar. 21, 1997**

[57] CLAIM

The ornamental design for a spool for a fishing reel, as shown and described.

[30] **Foreign Application Priority Data**
Sep. 27, 1996 [JP] Japan 8-29056
Sep. 27, 1996 [JP] Japan 8-29057
[51] **LOC (6) Cl.** **22-05**
[52] **U.S. Cl.** **D22/137**
[58] **Field of Search** D22/137, 141;
242/118.7, 118.8, 118.4, 613.1, 613.2, 322

DESCRIPTION

FIG. 1 is a front and left side perspective view of a spool for a fishing reel, showing my new design;
FIG. 2 is a rear and right side perspective view thereof;
FIG. 3 is a front elevational view thereof; the rear being a mirror image thereof;
FIG. 4 is a top plan view thereof; the opposite side being an identical thereof;
FIG. 5 is a right side elevational view thereof;
FIG. 6 is a left side elevational view thereof;
FIG. 7 is a cross-sectional view taken along the line 7—7 in FIG. 5;
FIG. 8 is a front and left side perspective view of a second embodiment of the spool for a fishing reel;
FIG. 9 is a rear and right side perspective view thereof;
FIG. 10 is a front elevational view thereof; the rear being a mirror image; top and bottom plan view being an identical thereof;
FIG. 11 is a right side elevational view thereof;
FIG. 12 is a left side elevational view thereof; and,
FIG. 13 is a cross-sectional view taken along the line 13—13 in FIG. 11.

[56] **References Cited**
U.S. PATENT DOCUMENTS
D. 274,832 7/1984 Sugimoto .
D. 278,359 4/1985 Sugimoto .
D. 290,732 7/1987 Yamaguchi .
D. 290,986 7/1987 Yamaguchi .
D. 390,624 2/1998 Yamaguchi D22/137
2,344,665 3/1944 Adams 242/118.7
2,438,440 3/1948 Hirsch 242/118.4
4,746,079 5/1988 Newell 242/118.4
5,507,443 4/1996 Miyazaki 242/322

FOREIGN PATENT DOCUMENTS
580576-1 8/1982 Japan D22/137
580576-7 7/1984 Japan D22/137

1 Claim, 4 Drawing Sheets

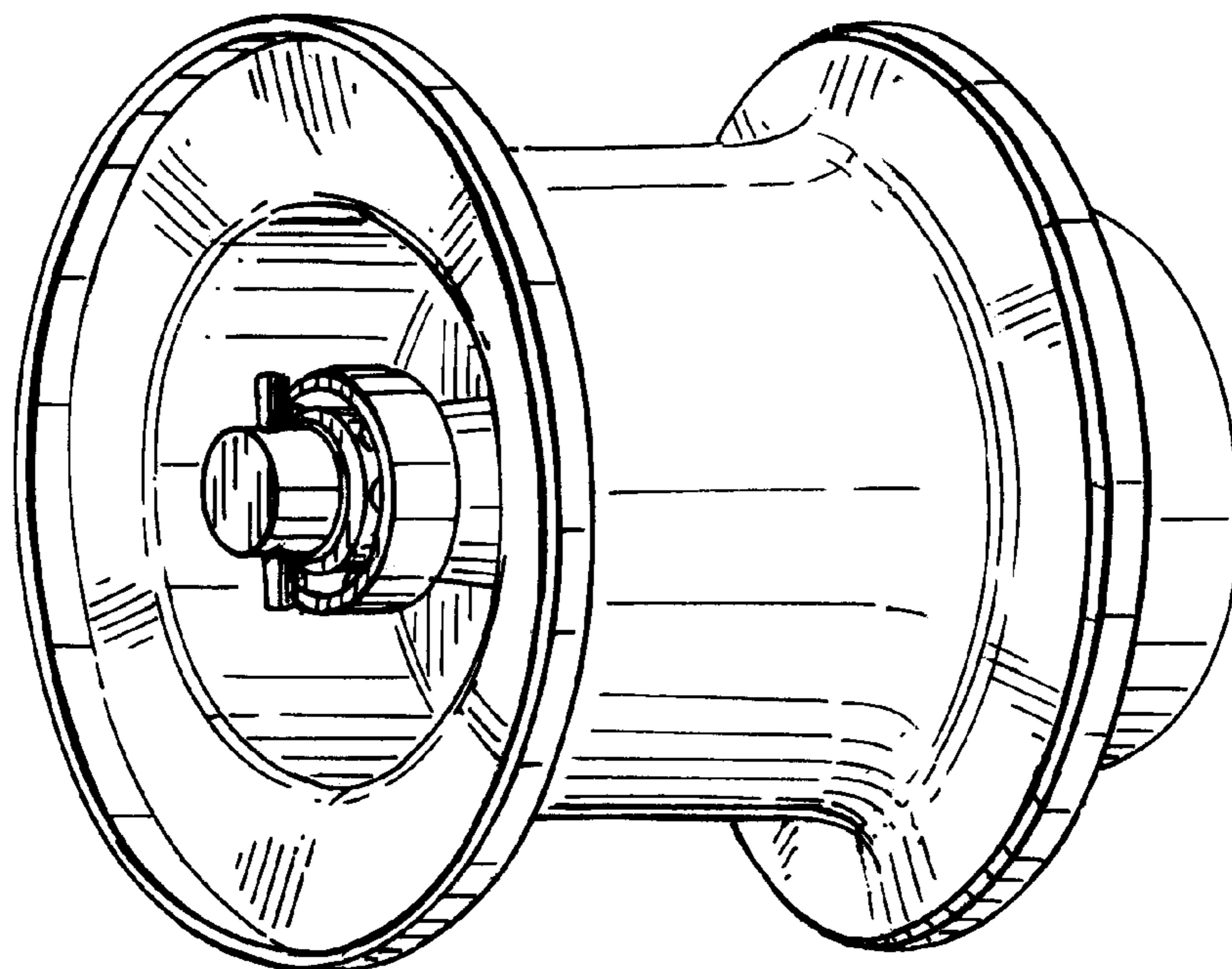


FIG. 1

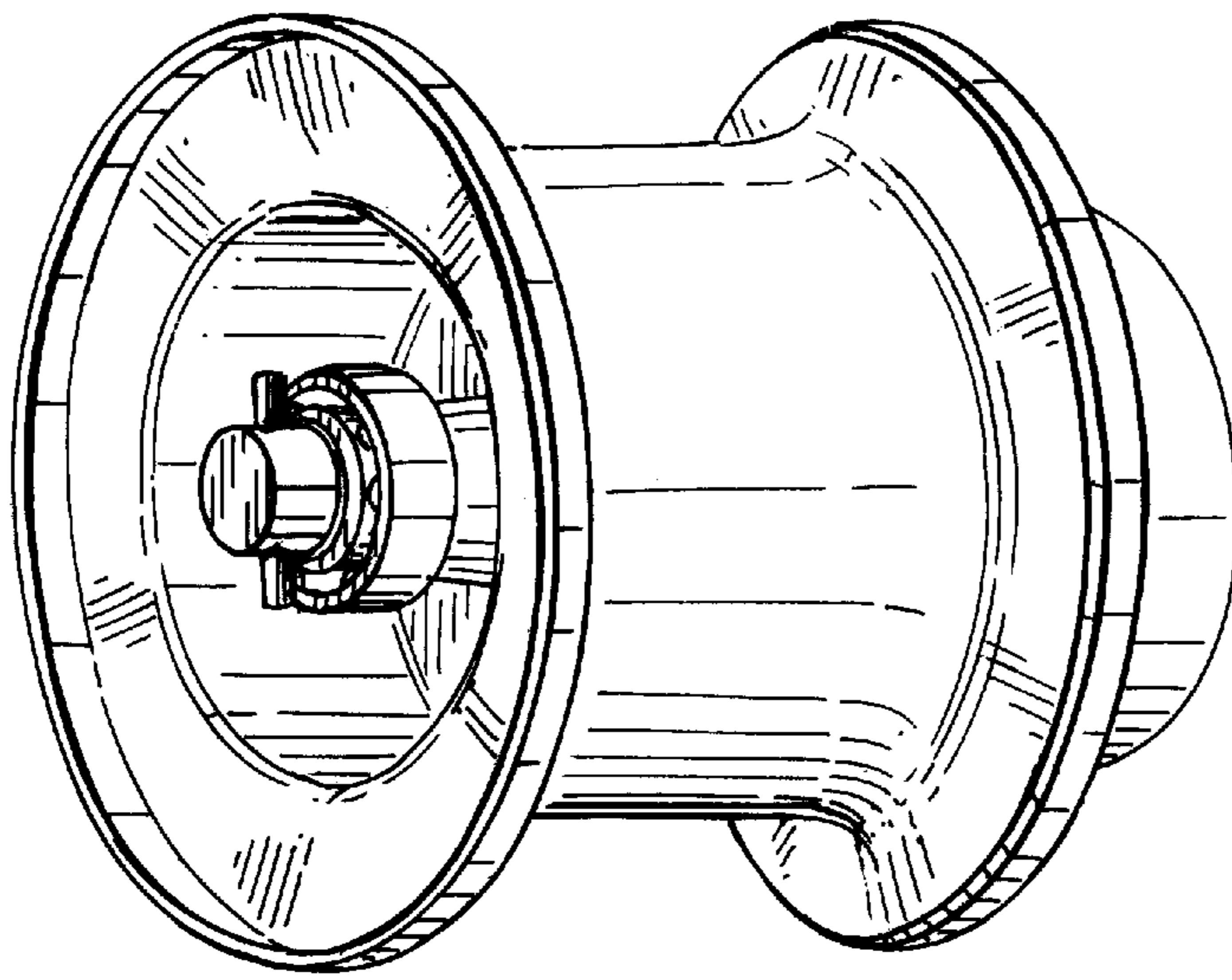


FIG. 2

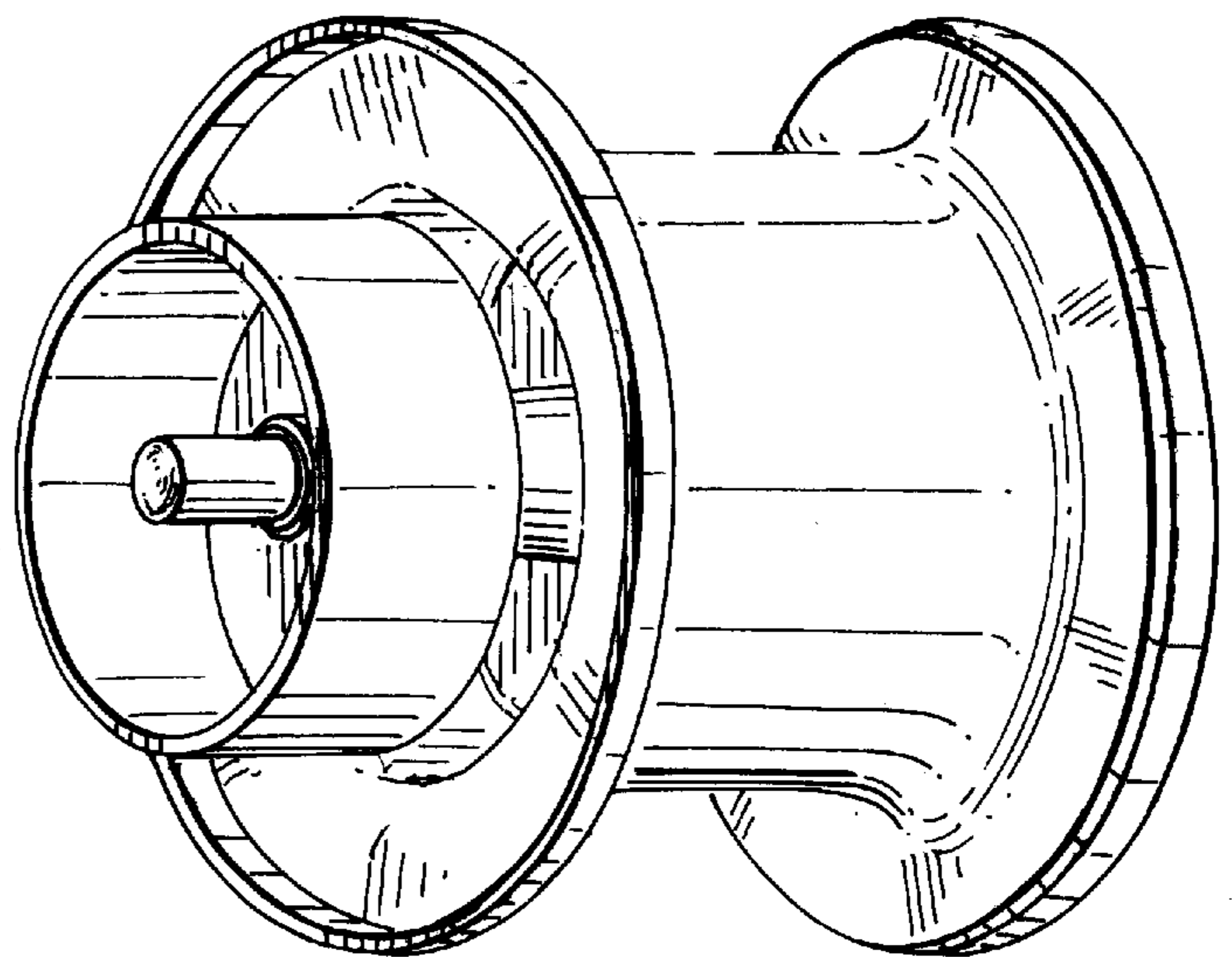


FIG. 7

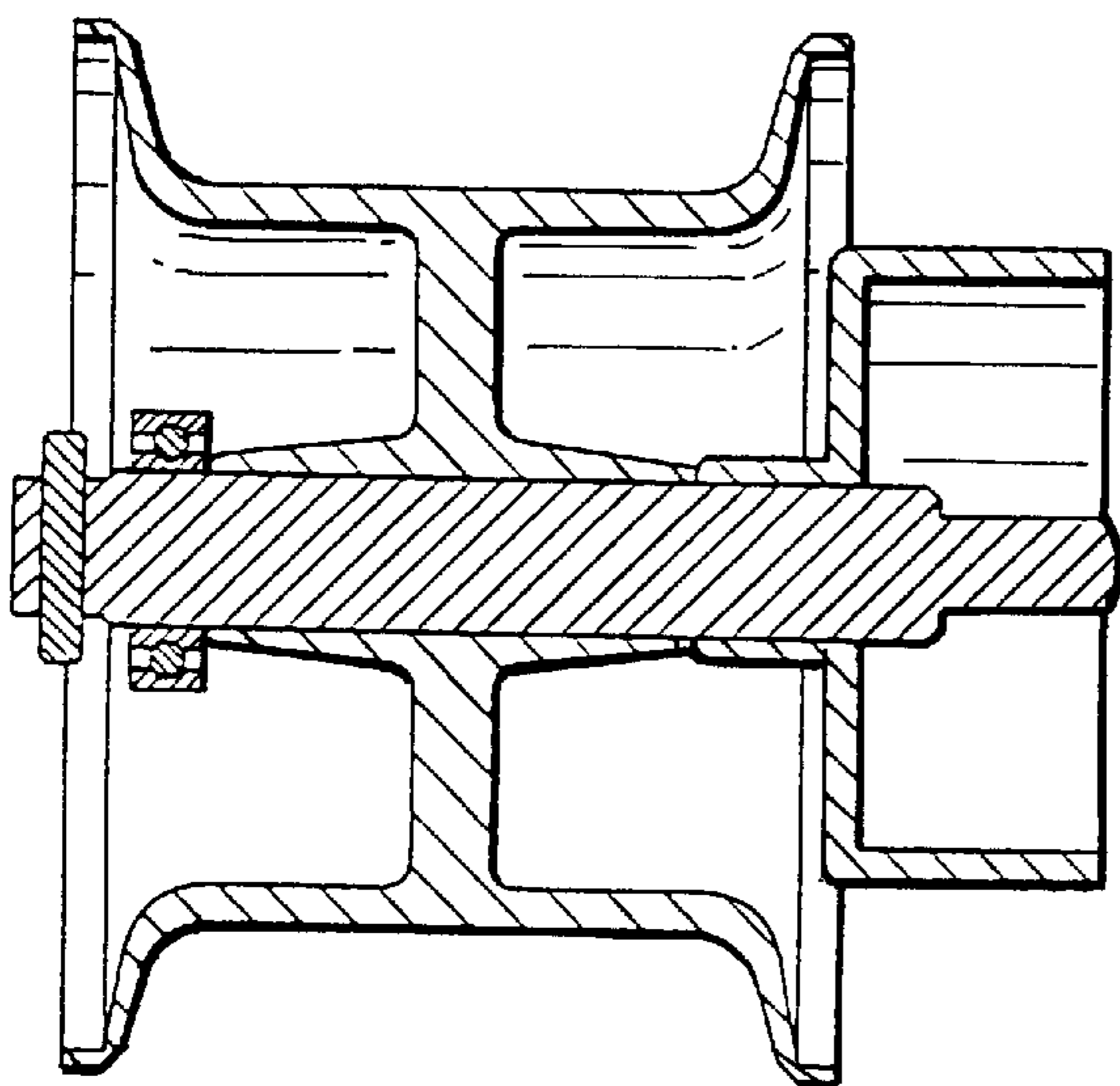


FIG. 3

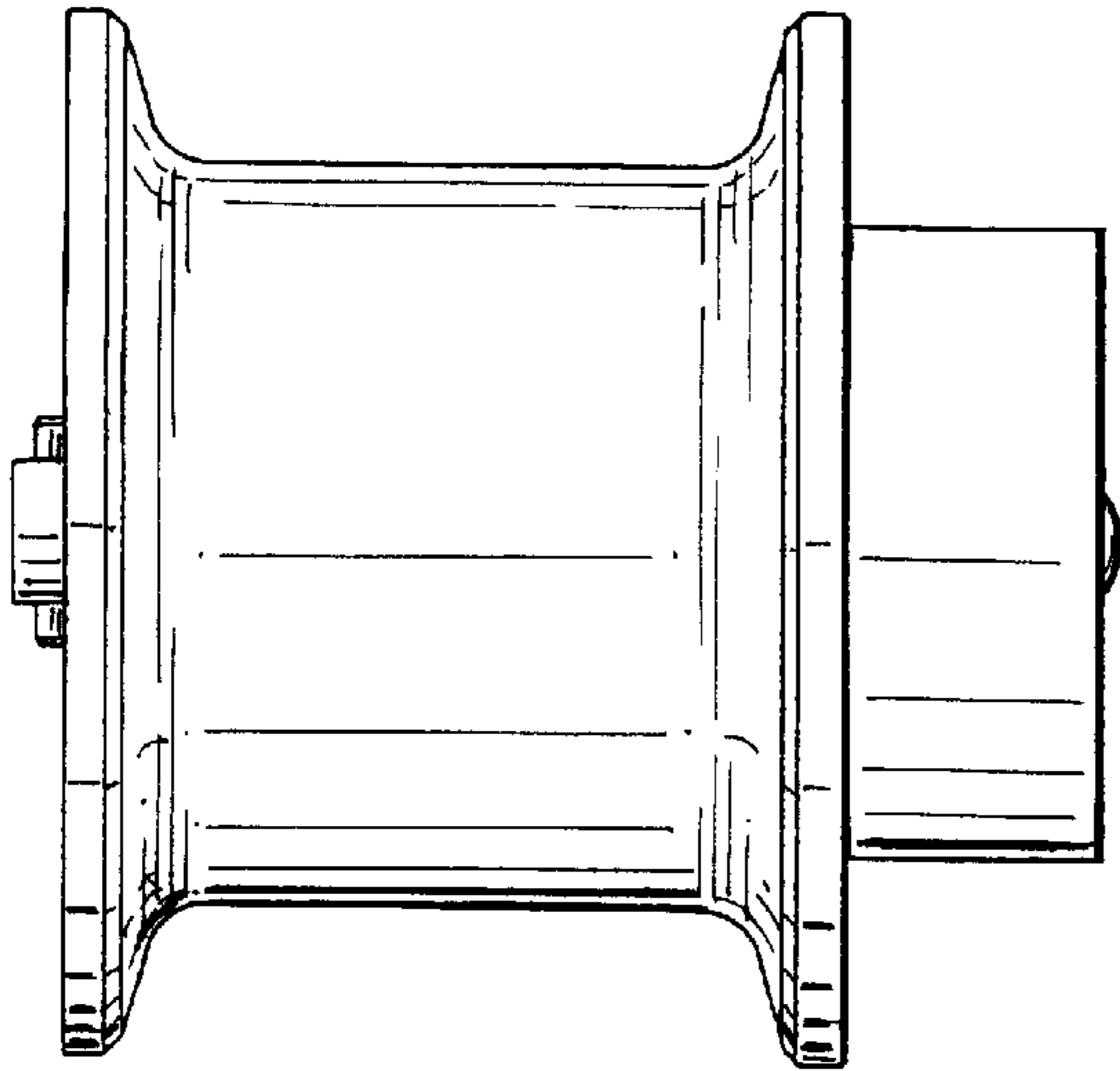


FIG. 5

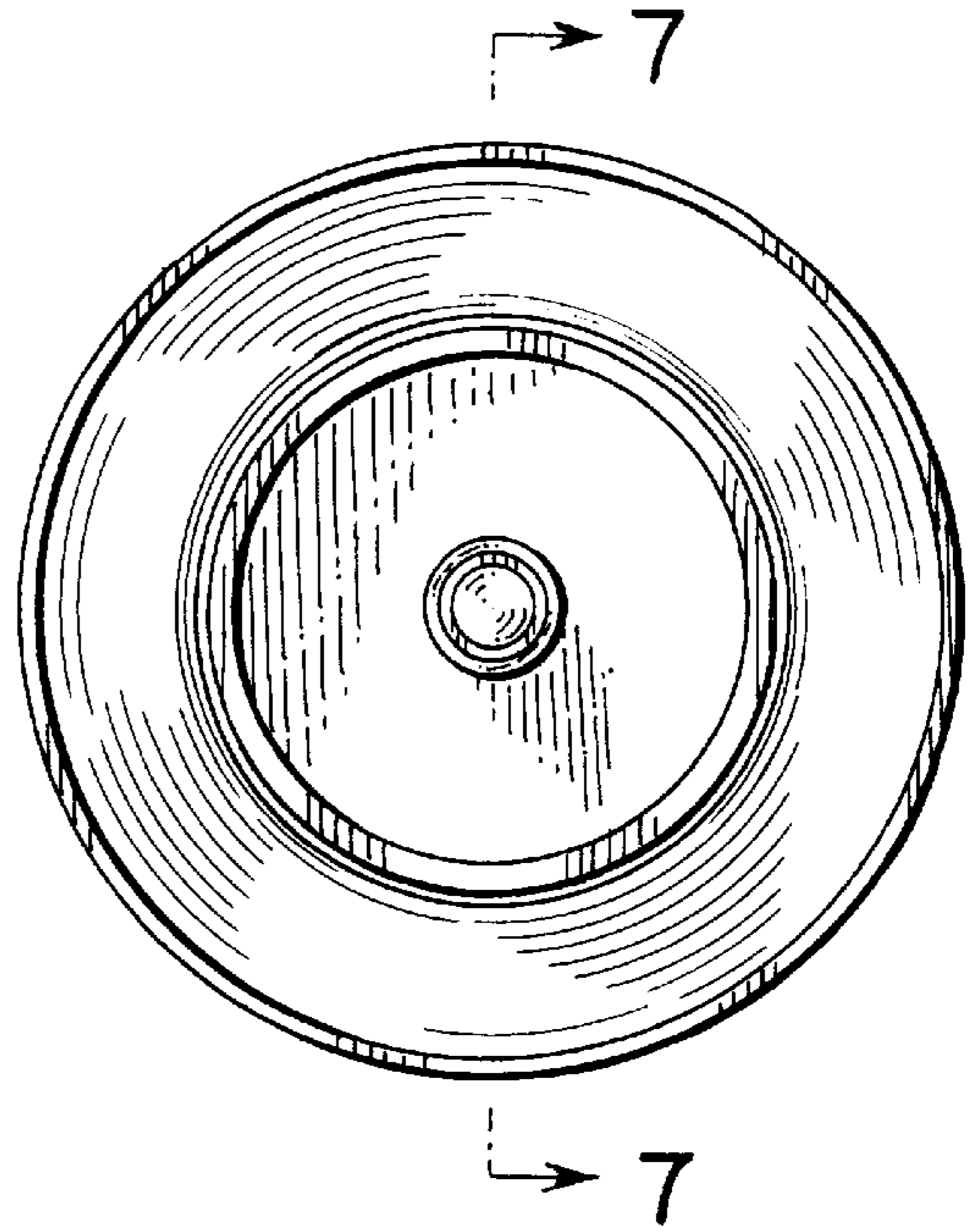


FIG. 4

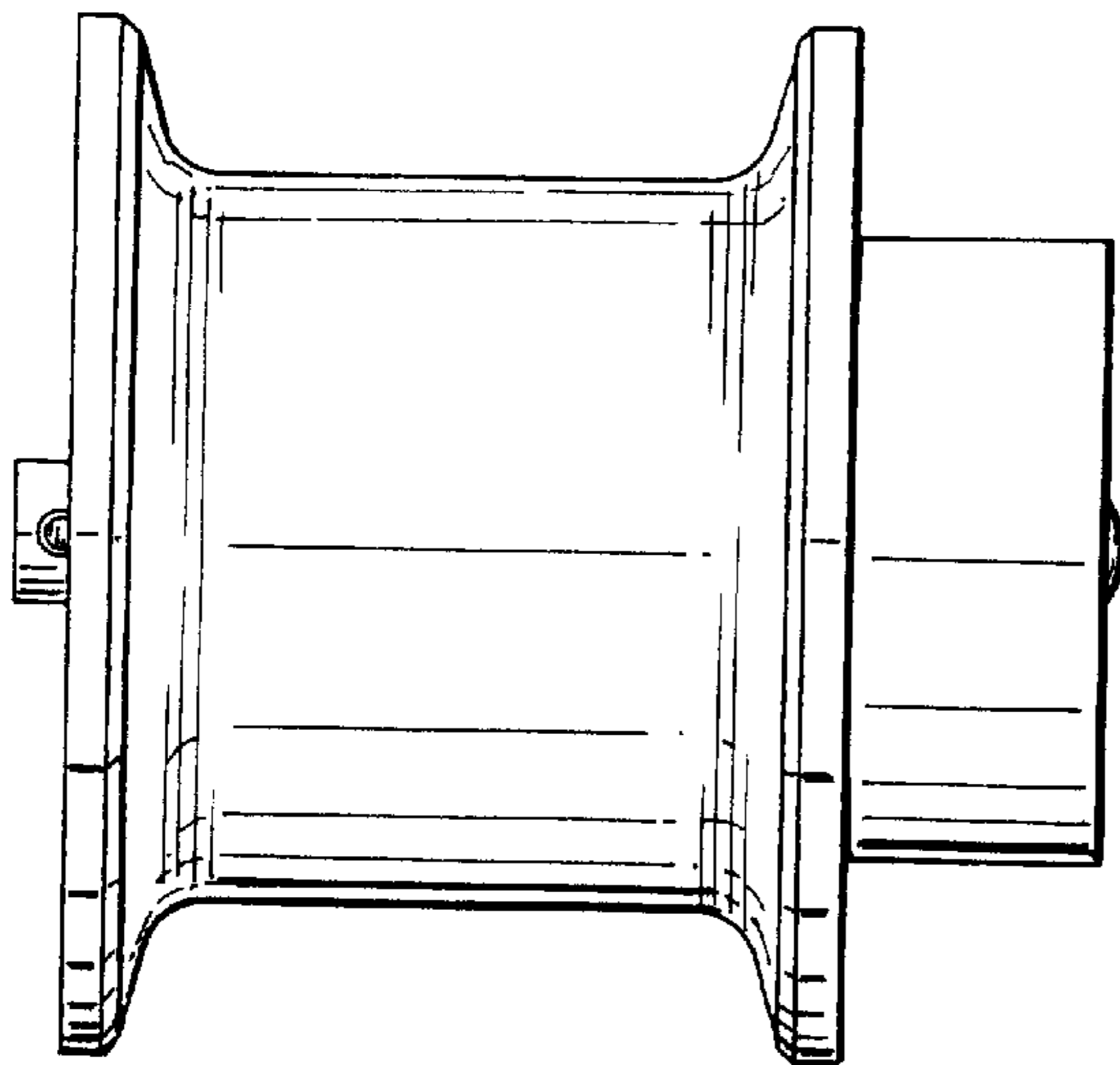


FIG. 6

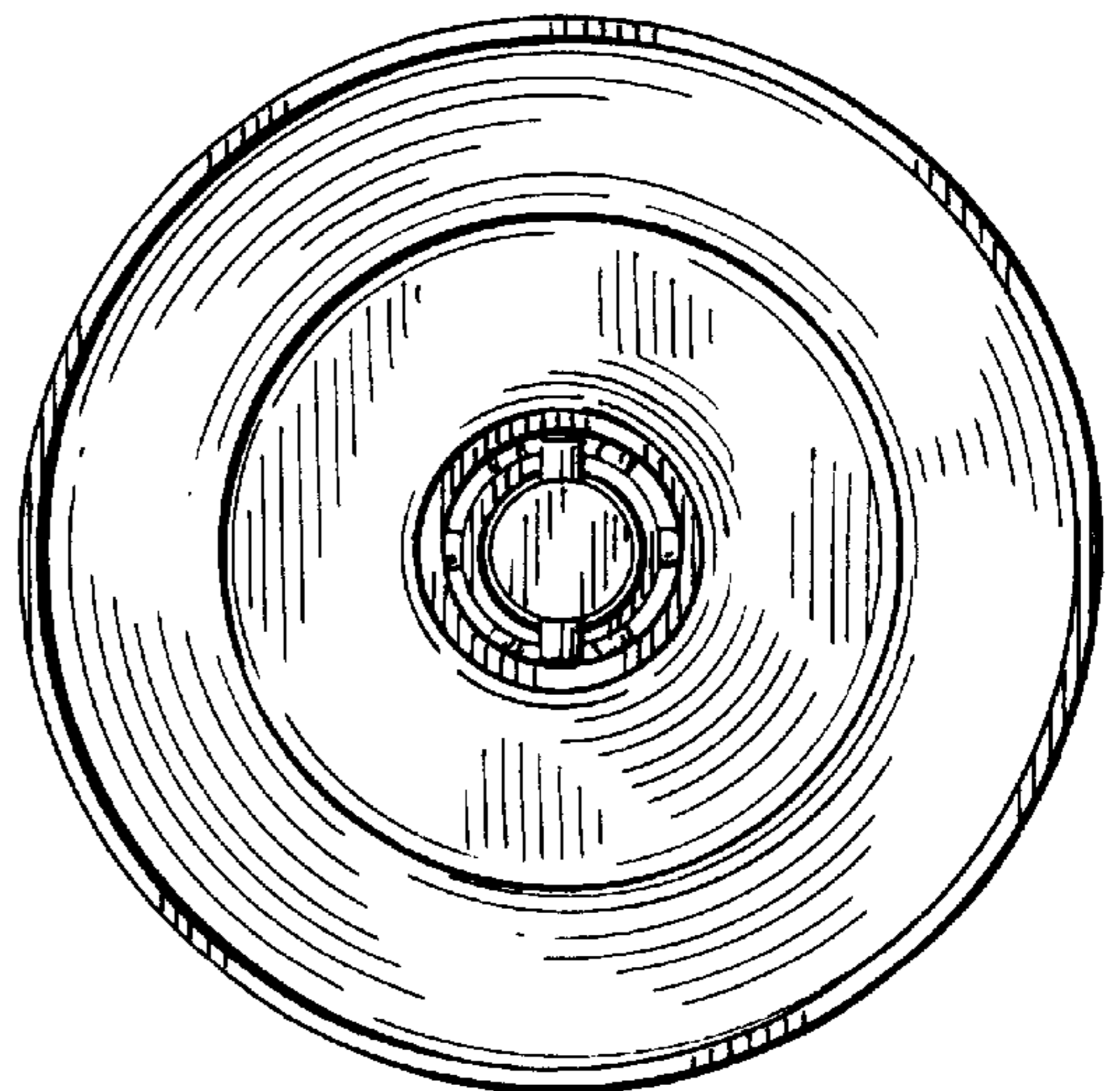


FIG. 8

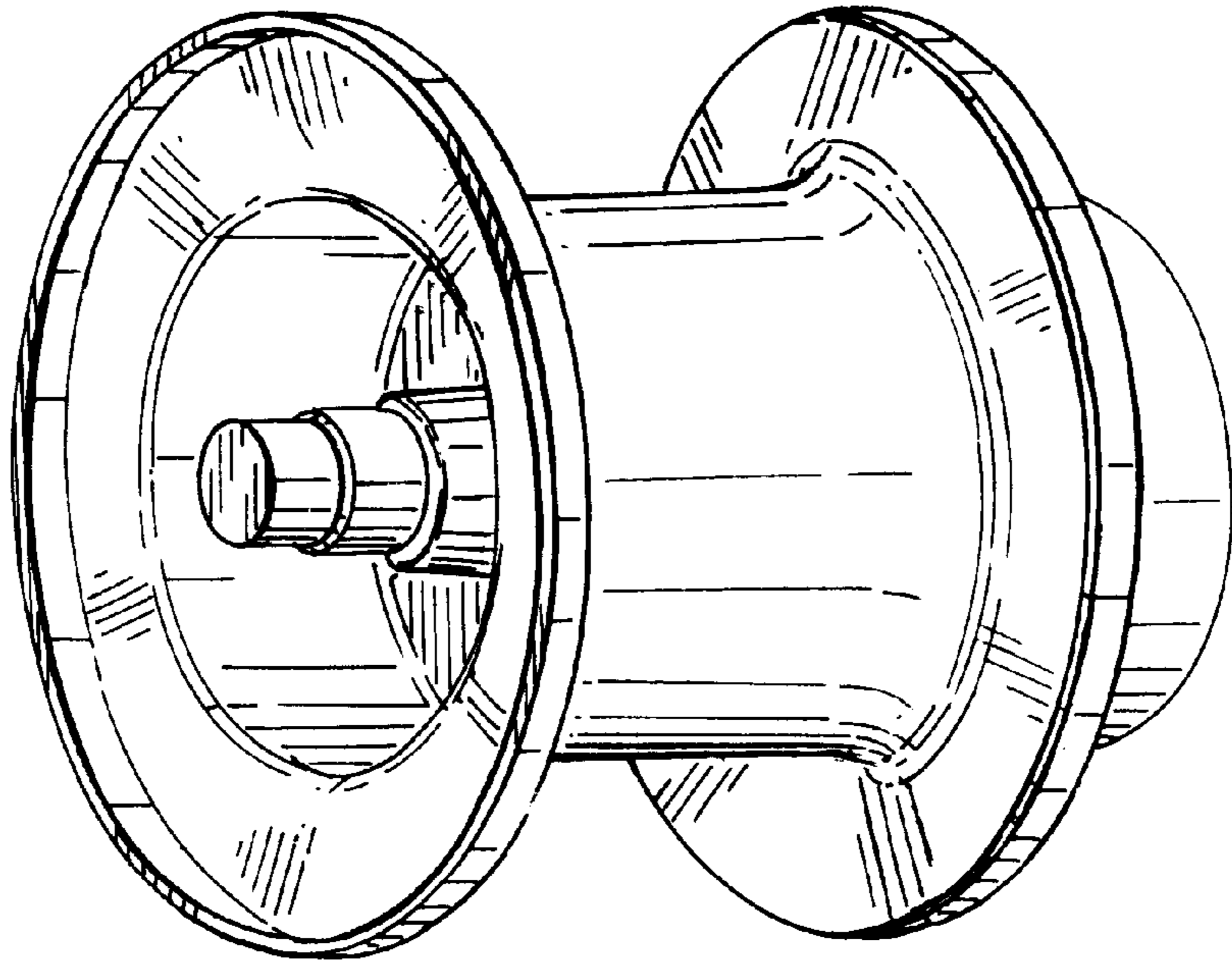


FIG. 9

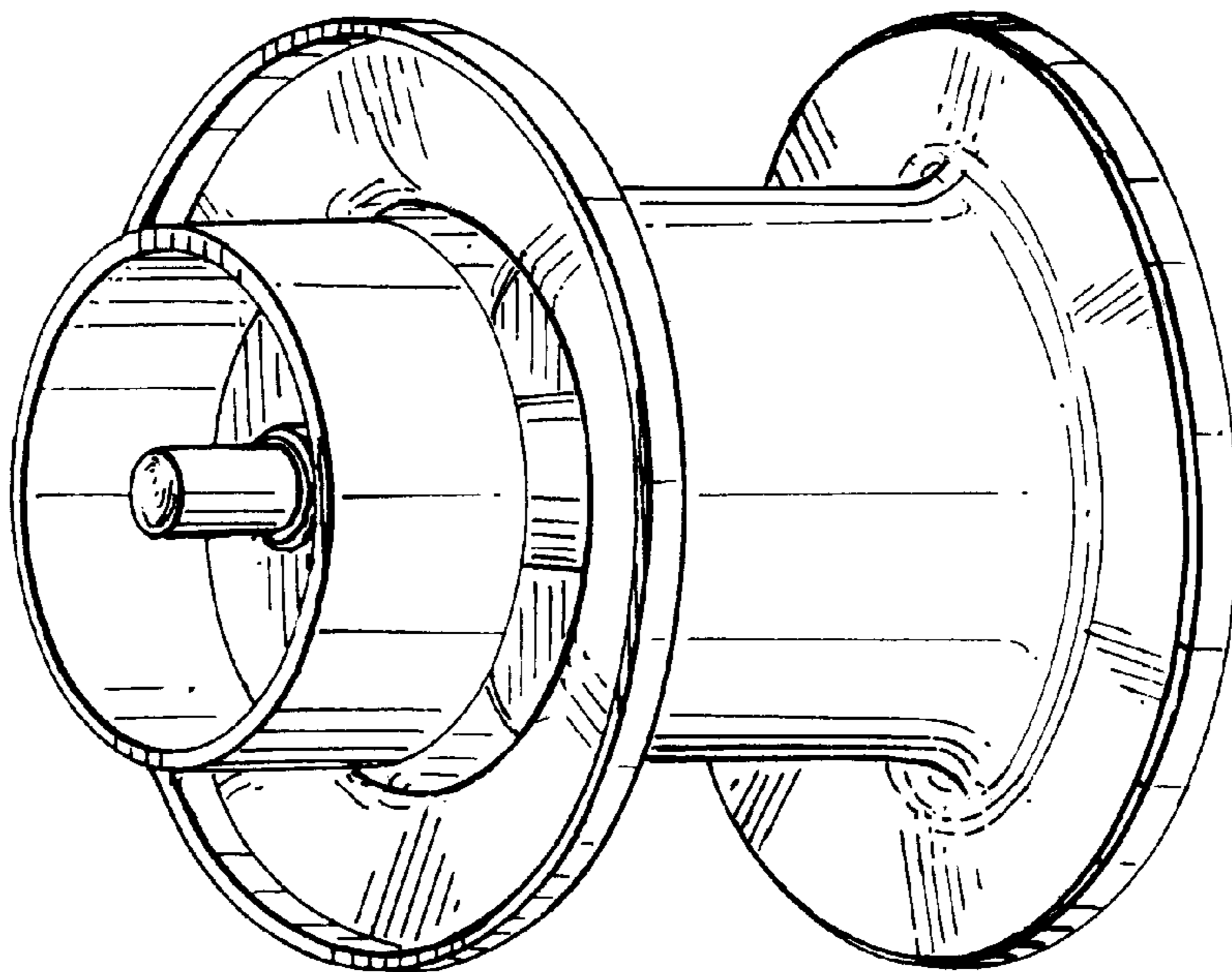


FIG. 10

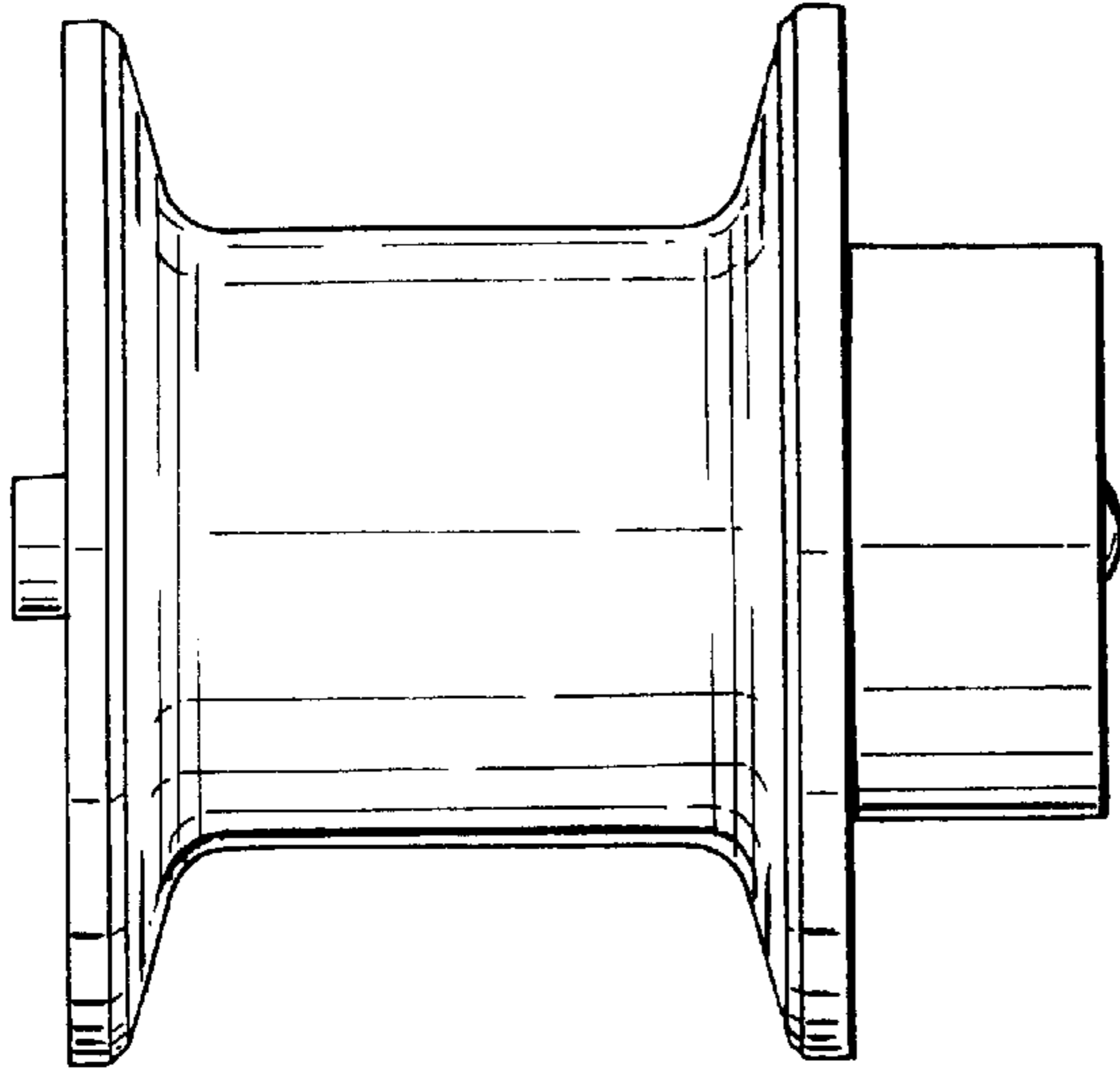


FIG. 11
→ 13

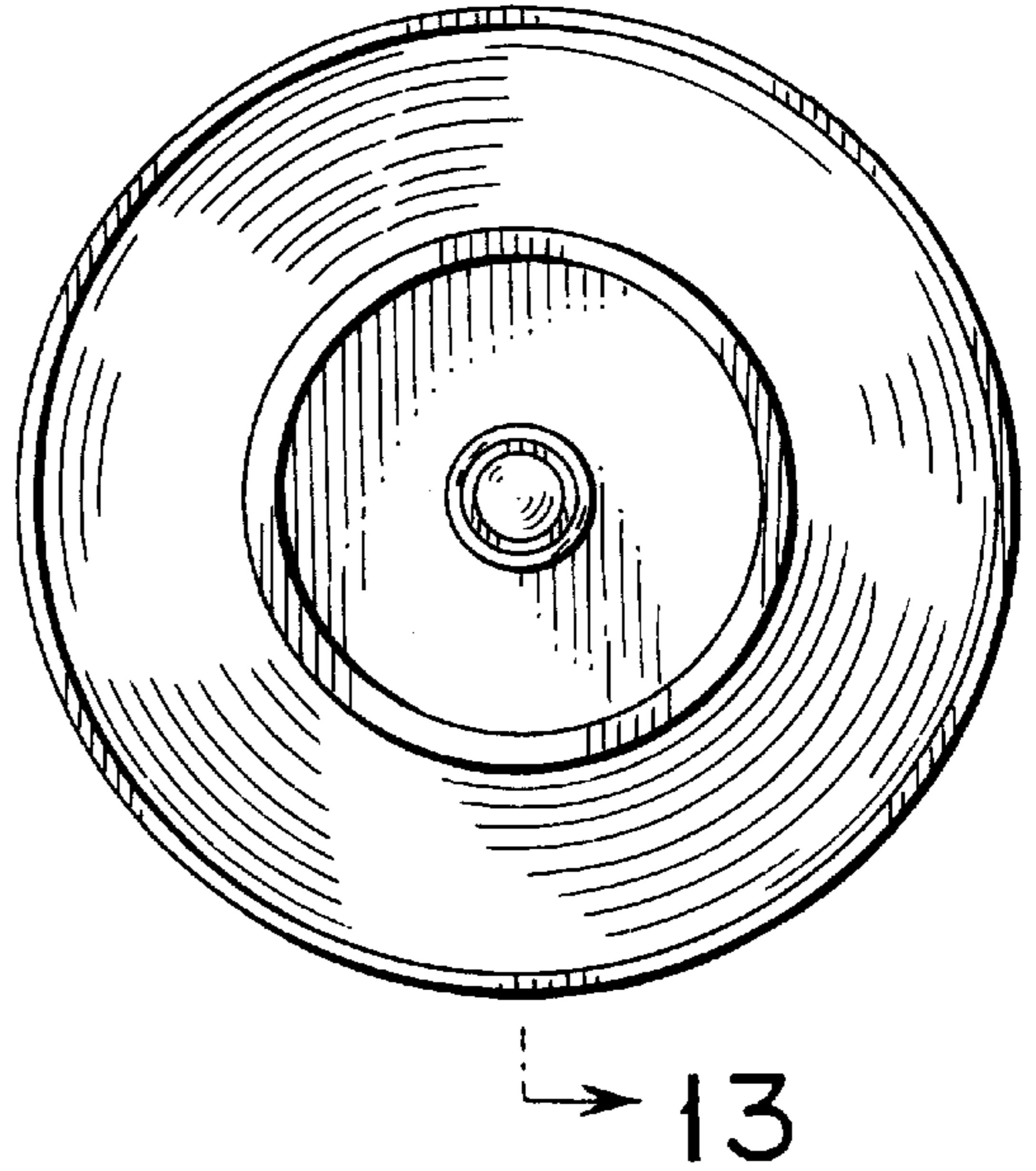


FIG. 13

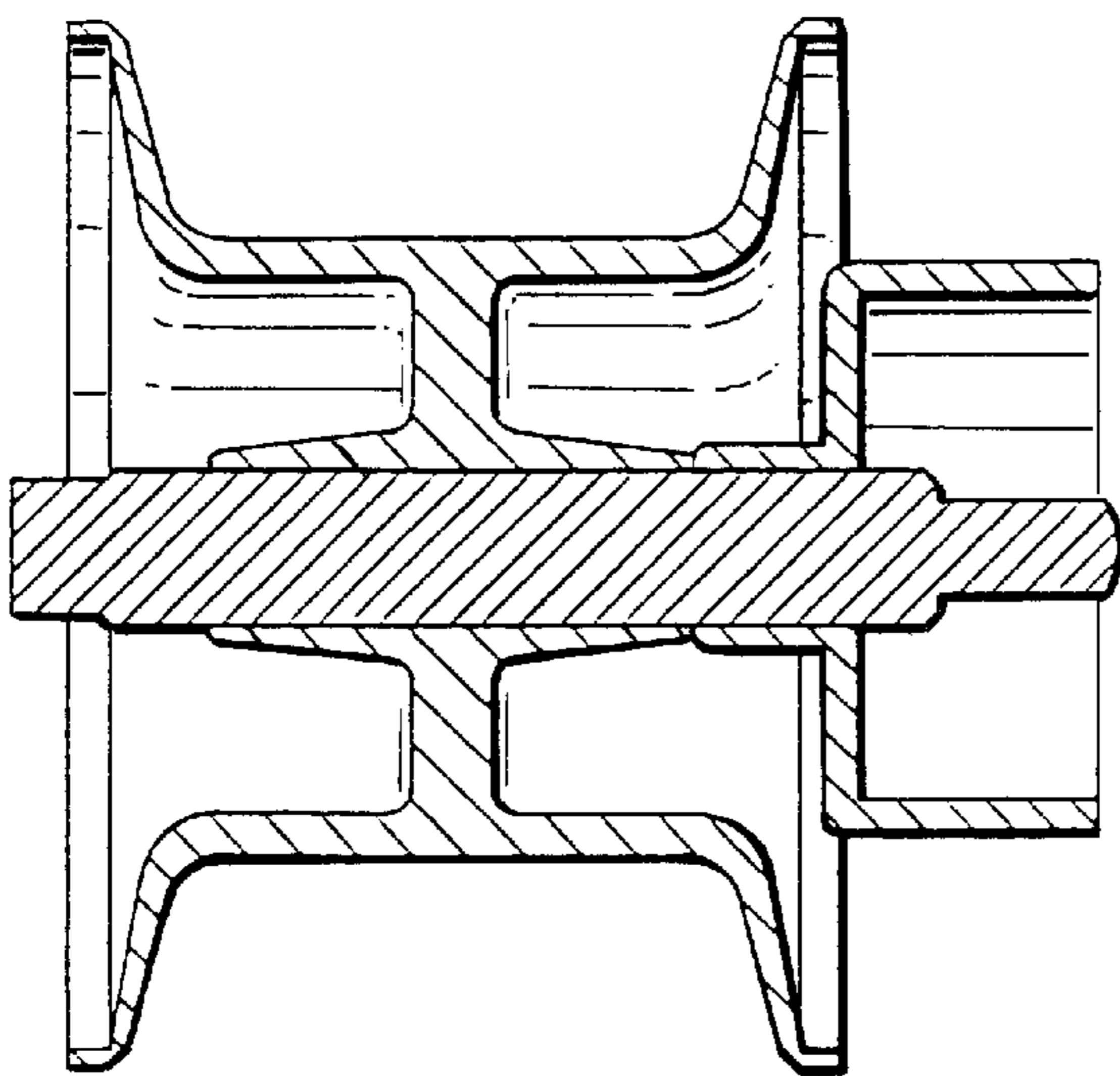


FIG. 12

