



US00D410989S

United States Patent [19]
Marshall

[11] **Patent Number: Des. 410,989**
[45] **Date of Patent: ** Jun. 15, 1999**

[54] **TRAP STAND**

5,819,975 10/1998 Hahn 211/90.01

[76] Inventor: **Darwin O. Marshall**, 11055 S. 76th Ave. West, Prairie City, Iowa 50228

Primary Examiner—Louis S. Zarfes
Assistant Examiner—Inga-Maria Hyttinen
Attorney, Agent, or Firm—Henderson & Sturm

[**] Term: **14 Years**

[57] **CLAIM**

[21] Appl. No.: **29/091,399**

The ornamental design for a trap stand, as shown and described.

[22] Filed: **Jul. 29, 1998**

[51] **LOC (6) Cl.** **22-06**

[52] **U.S. Cl.** **D22/119**

[58] **Field of Search** D22/119, 120, D22/199; 43/1, 58, 60, 133, 134, 124; D6/462; 211/60.1, 90.01, 133.2, 181.1; 248/511, 519, 122.1, 153, 175, 176.1, 218.4

DESCRIPTION

FIG. 1 is a perspective view of a trap stand showing my new design;
FIG. 2 is a left side elevational view thereof;
FIG. 3 is a front elevational view thereof;
FIG. 4 is a rear elevational view thereof;
FIG. 5 is a top plan view thereof; and,
FIG. 6 is a bottom view thereof.

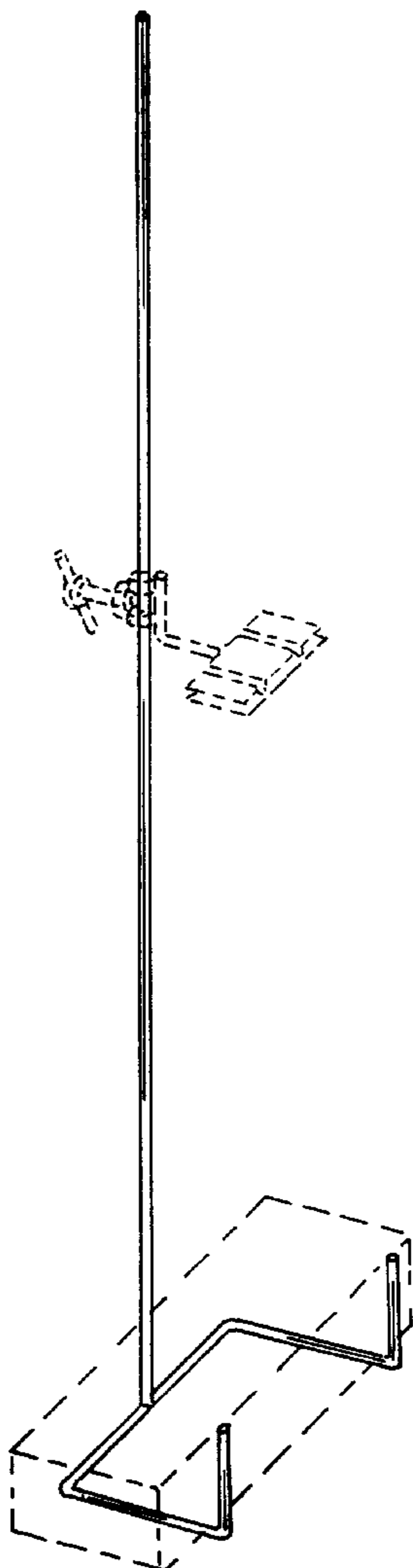
The broken line showing of environment in FIG. 1 is for illustrative purposes only and forms no part of the claimed design.

[56] **References Cited**

U.S. PATENT DOCUMENTS

D. 379,489	5/1997	Mally	D22/119
D. 394,694	5/1998	Bolack	D22/119
3,738,405	6/1973	Ericson	248/176
4,111,471	9/1978	Hanley	D6/462

1 Claim, 1 Drawing Sheet



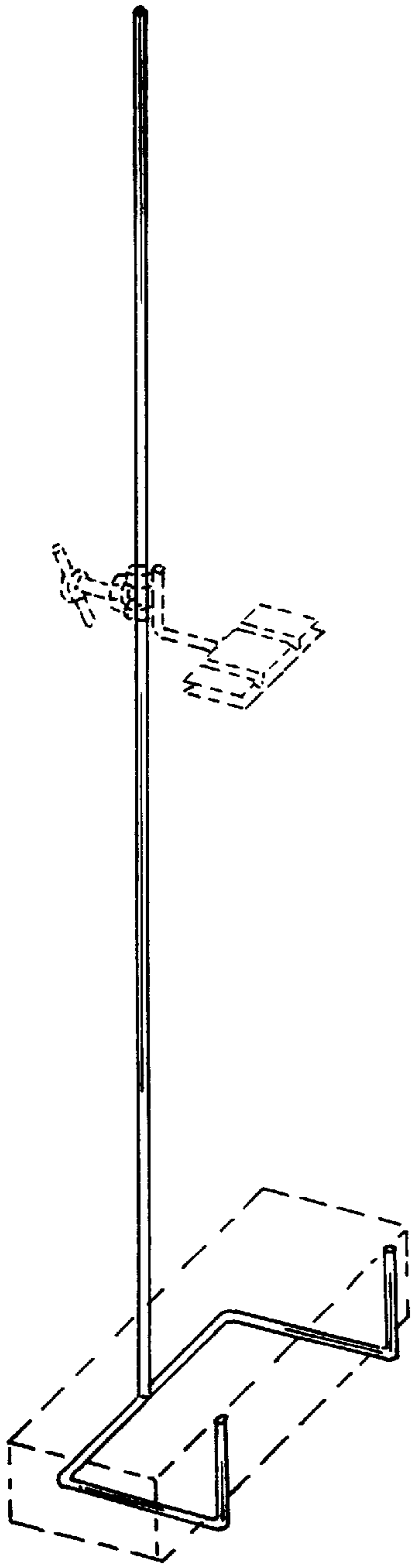


Fig. 1

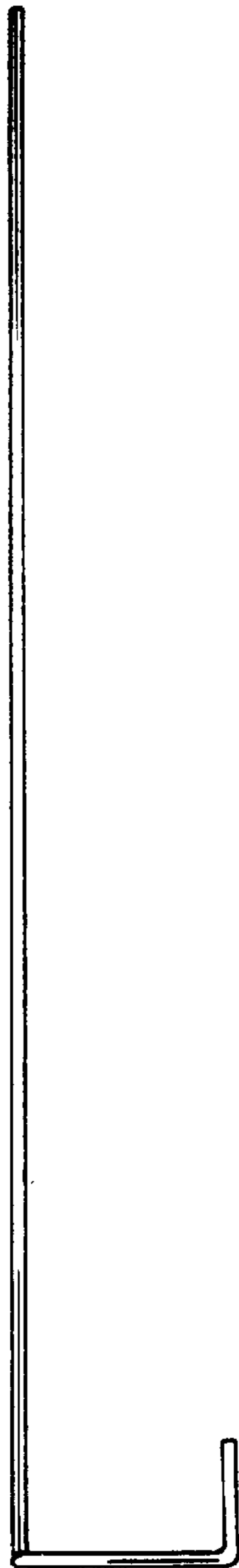


Fig. 2

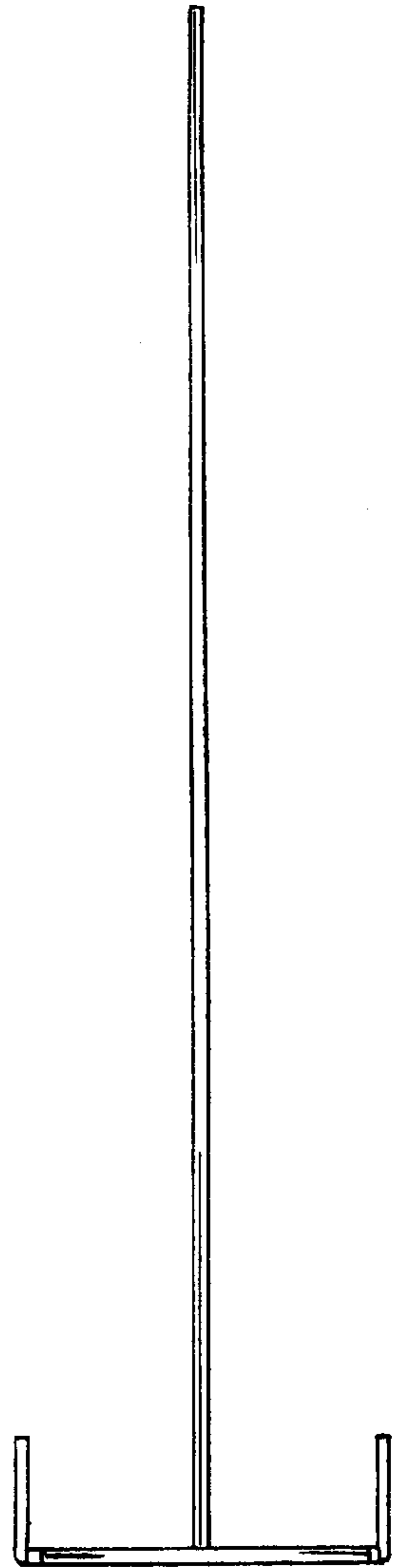


Fig. 3

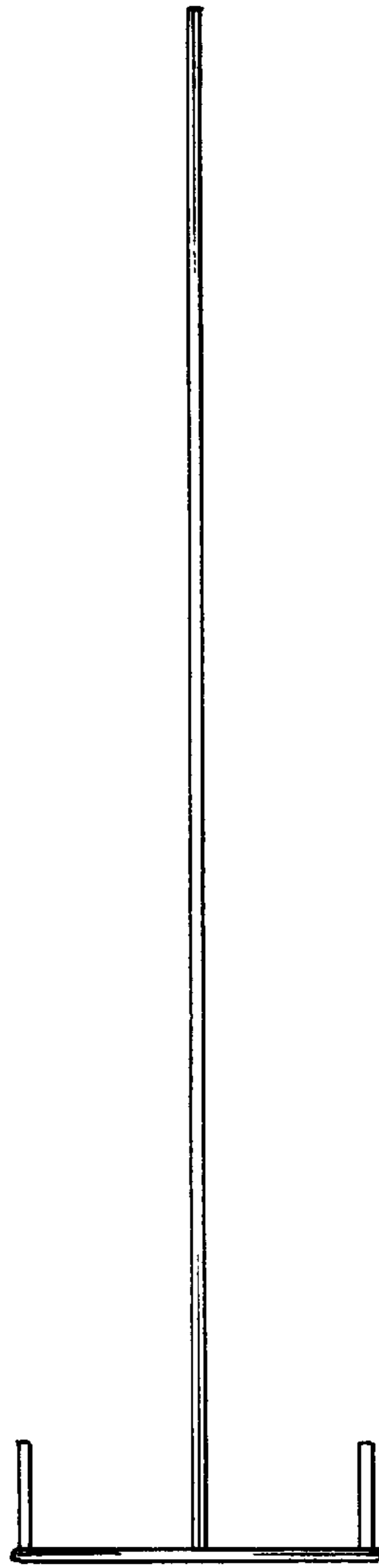


Fig. 4



Fig. 5

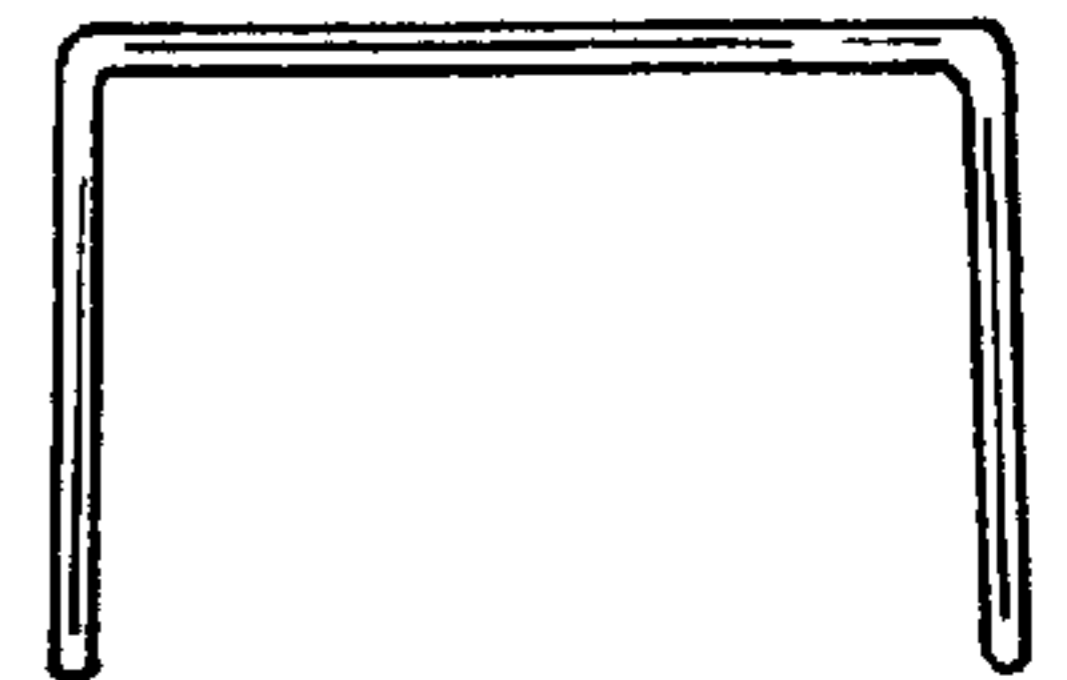


Fig. 6