



US00D410986S

# United States Patent [19]

[11] **Patent Number: Des. 410,986**

**Luedke et al.**

[45] **Date of Patent: \*\* Jun. 15, 1999**

[54] **KICK-BOXING EXERCISE DEVICE**

3,387,842	6/1968	Edgar	.....	482/83
3,861,676	1/1975	Paul	.....	482/83
5,281,191	1/1994	DeSousa	.....	482/83

[75] Inventors: **Adam A. Luedke**, Eden Prairie; **Louis F. Polk, III**, Excelsior; **Kim M. Parmater**, Minnetonka, all of Minn.

*Primary Examiner*—Ted Shooman  
*Assistant Examiner*—Richelle Shelton  
*Attorney, Agent, or Firm*—Sand & Sebolt

[73] Assignee: **Leisure, Inc.**, Chanhassen, Minn.

[\*\*] Term: **14 Years**

### [57] CLAIM

[21] Appl. No.: **29/087,679**

The ornamental design for a kick-boxing exercise device, as shown and described.

[22] Filed: **May 7, 1998**

### DESCRIPTION

[51] **LOC (6) Cl.** ..... **21-99**

FIG. 1 is a top perspective view of a kick-boxing exercise device showing our new design;

[52] **U.S. Cl.** ..... **D21/798; D20/31; D21/578; D21/585; D21/698; D21/787**

FIG. 2 is a front elevational view thereof;

[58] **Field of Search** ..... **D21/578, 585, D21/787, 631, 635, 698, 699; D19/62; D20/31; 482/83, 90; 473/444, 422; 434/247**

FIG. 3 is a right side elevational view thereof, the left side elevational view being a mirror image;

FIG. 4 is a rear elevational view thereof;

### [56] References Cited

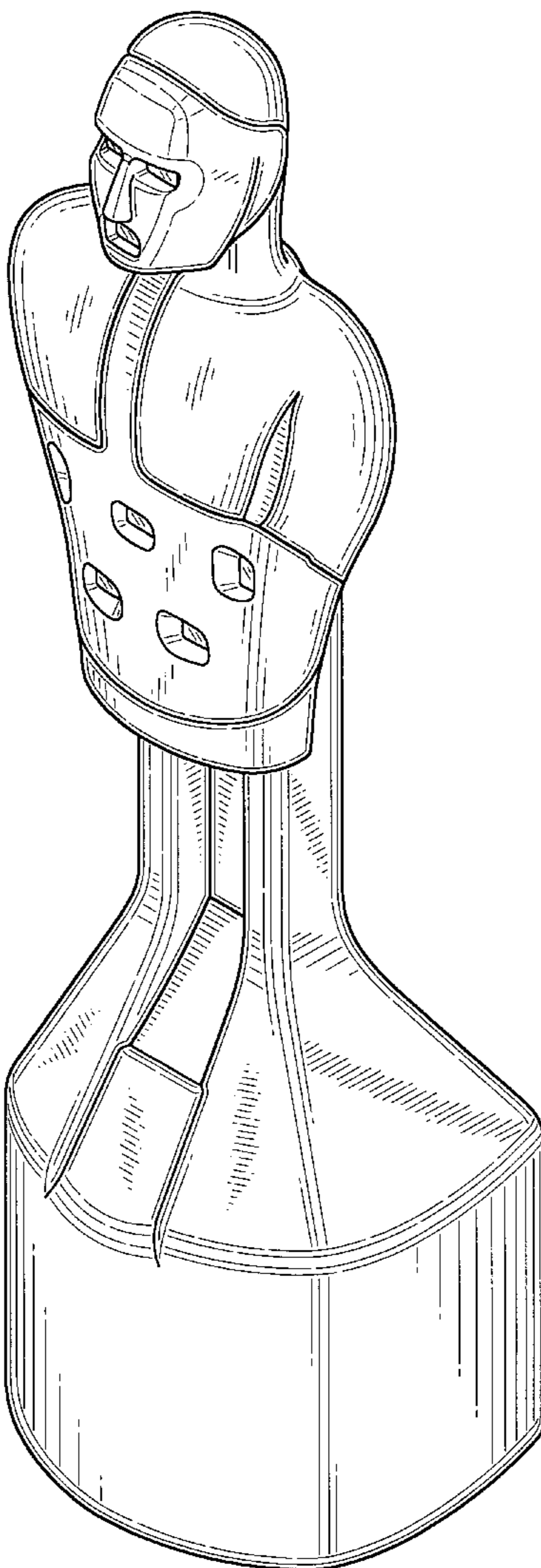
FIG. 5 is a top plan view thereof; and,

FIG. 6 is a bottom plan view thereof.

#### U.S. PATENT DOCUMENTS

D. 351,632 10/1994 Mitchell ..... D20/31

**1 Claim, 3 Drawing Sheets**



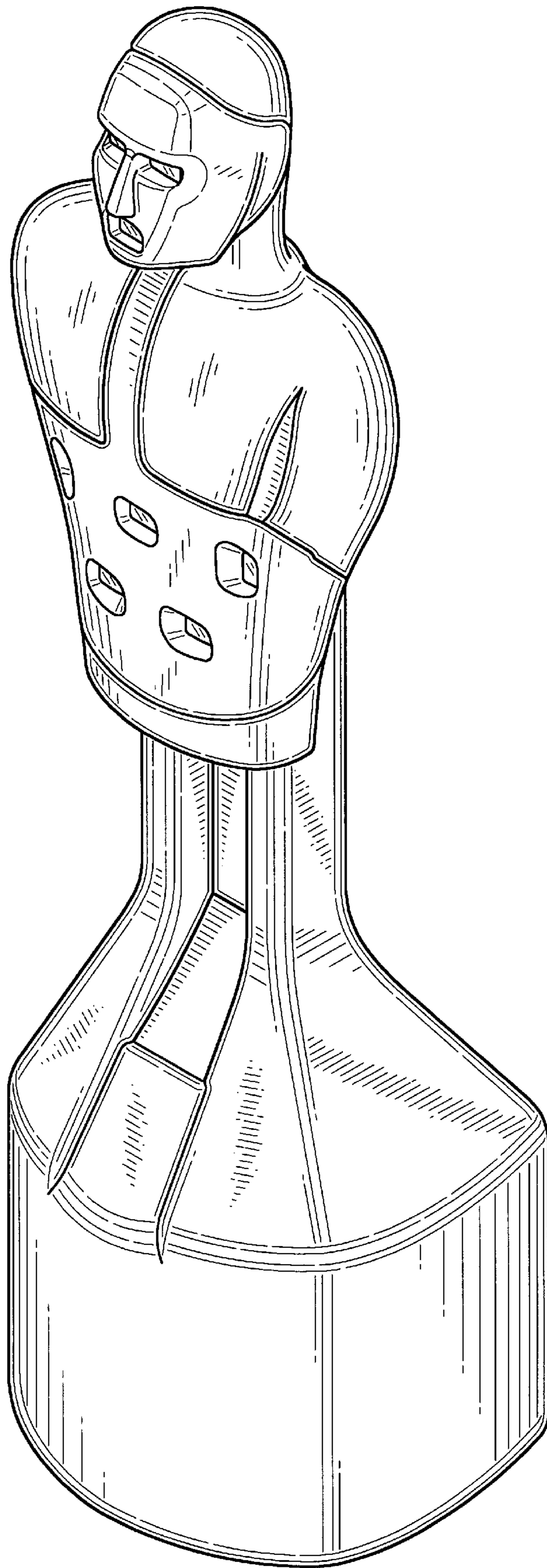


FIG-1

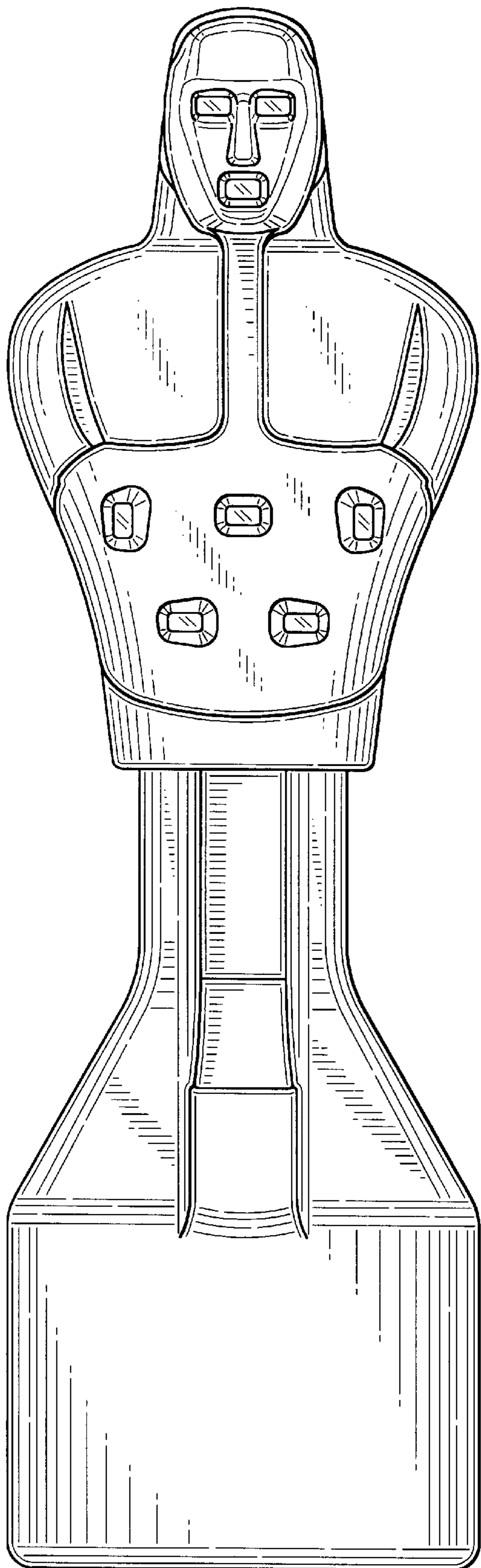


FIG-2

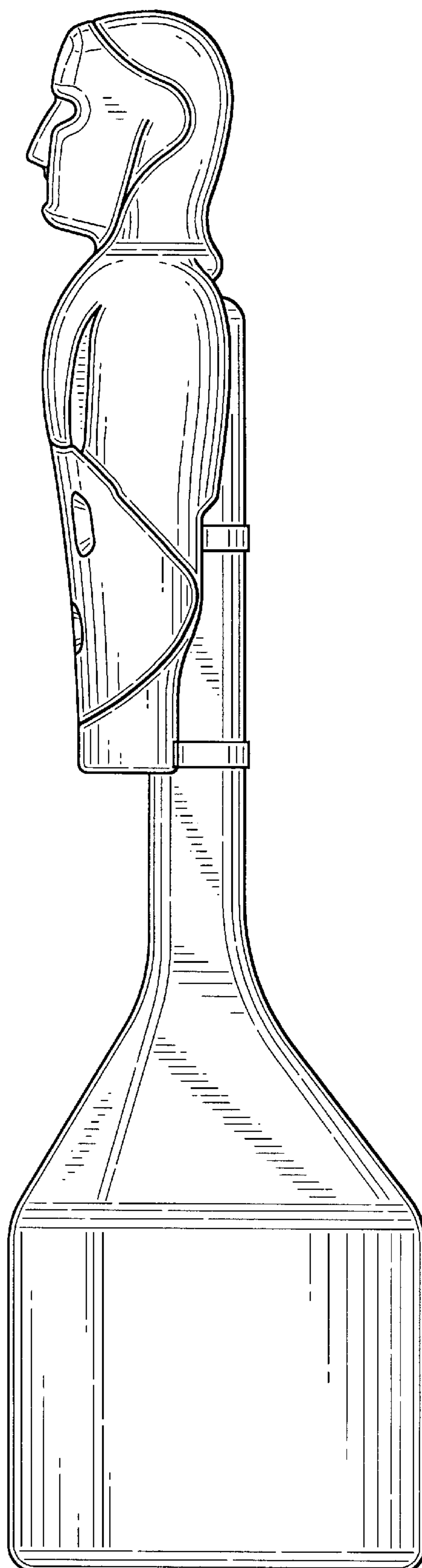


FIG-3

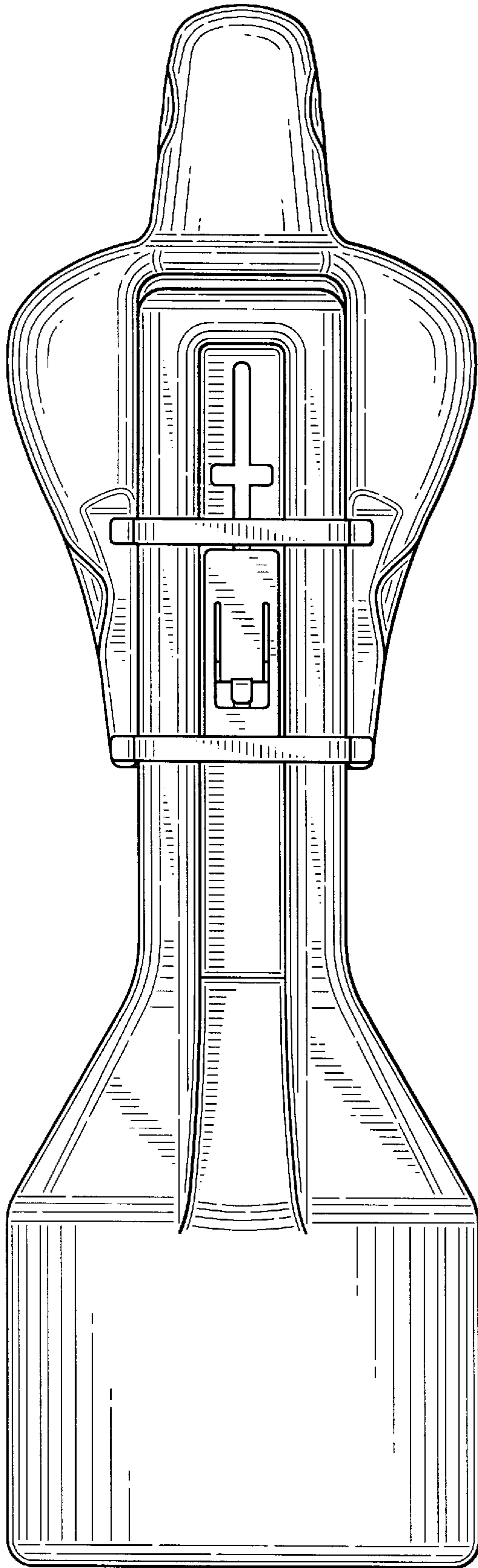


FIG-4

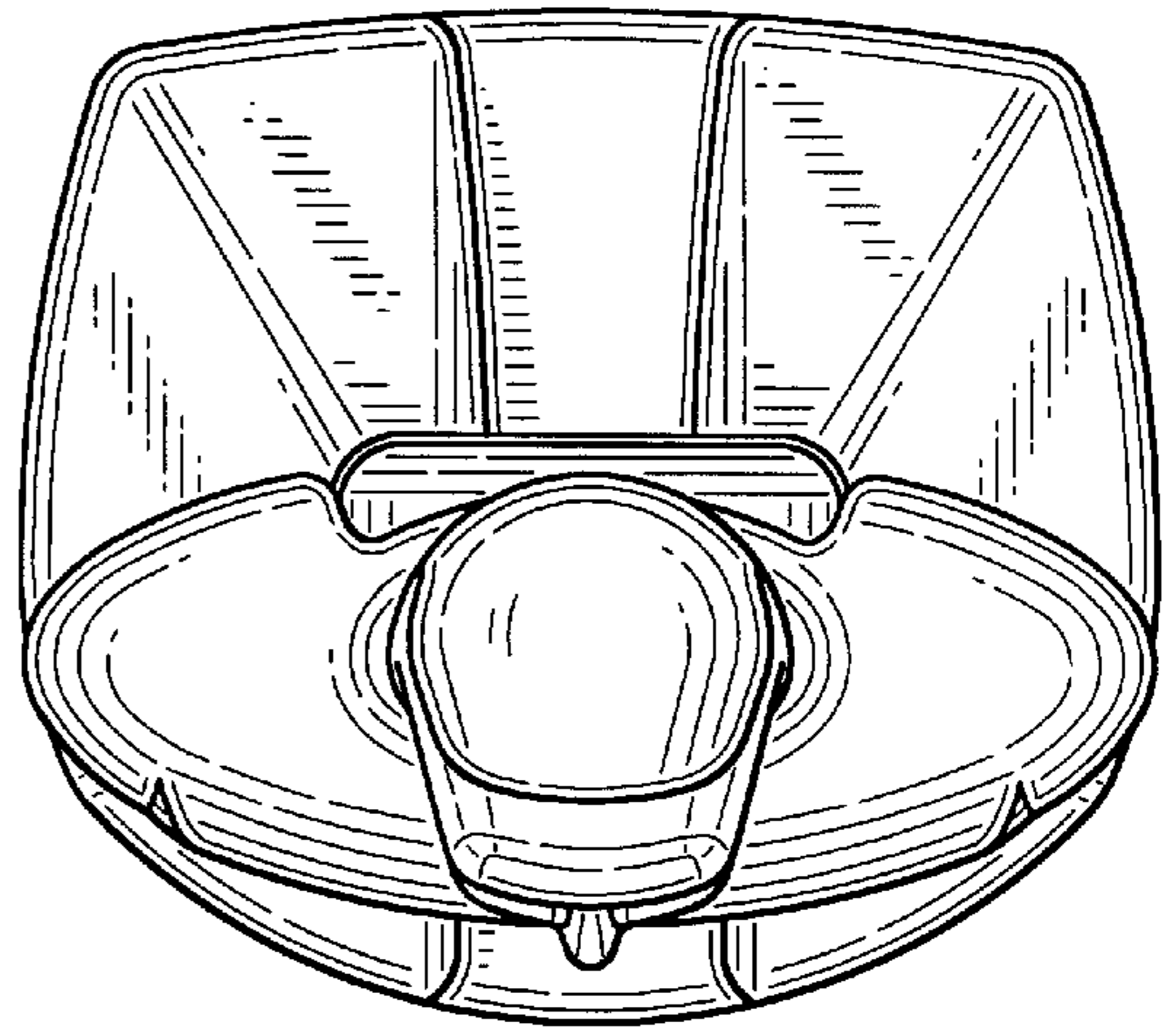


FIG-5

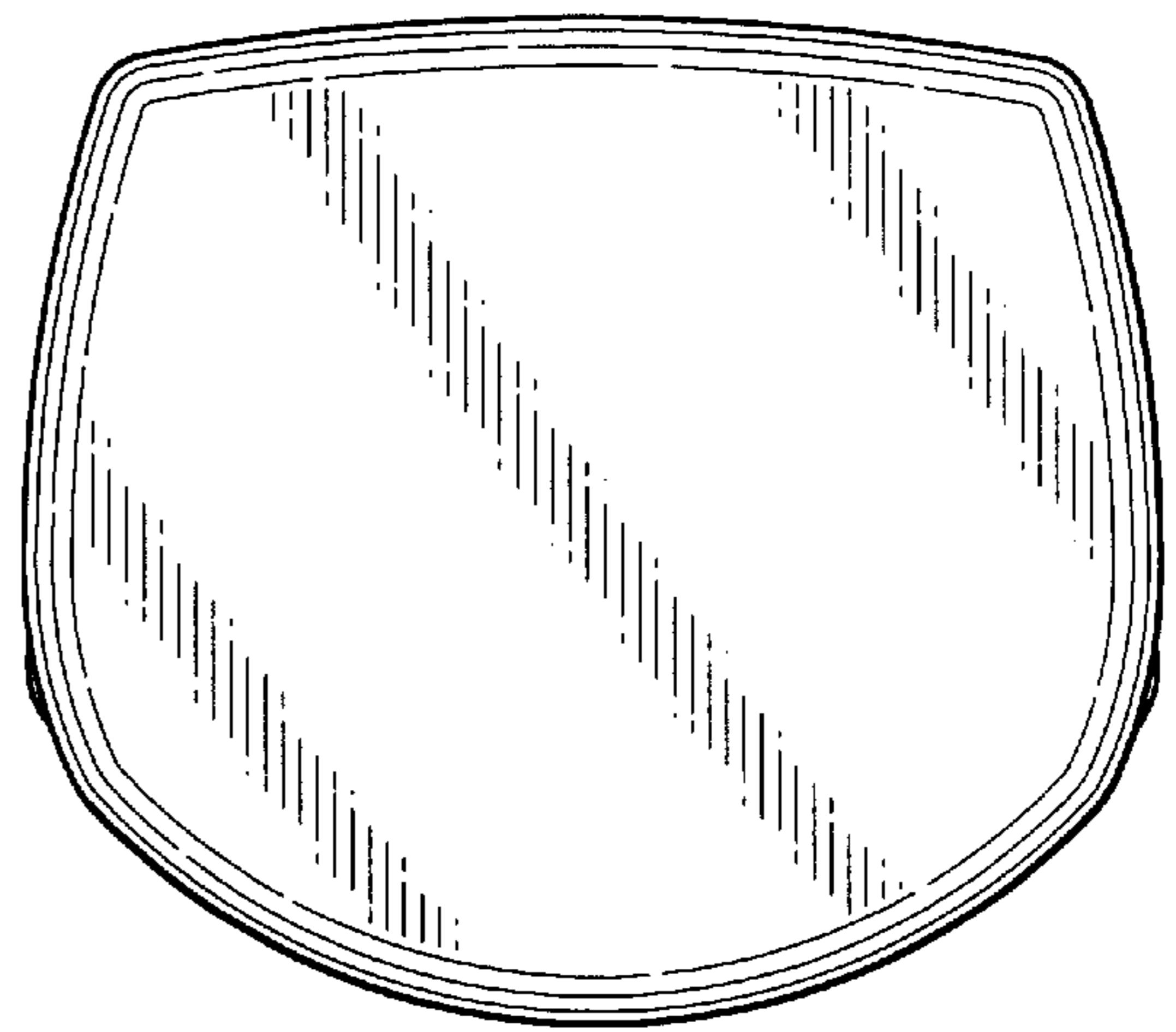


FIG-6