



US00D410985S

United States Patent [19]

Lee

[11] **Patent Number: Des. 410,985**

[45] **Date of Patent: ** Jun. 15, 1999**

[54] **SNOWBOARD BINDER**

[75] Inventor: **Jong Gu Lee**, Seoul, Rep. of Korea

[73] Assignee: **Ellim Corporation Limited**,
Kyunggi-do, Rep. of Korea

[**] Term: **14 Years**

[21] Appl. No.: **29/084,141**

[22] Filed: **Feb. 25, 1998**

[51] **LOC (6) Cl.** **21-02**

[52] **U.S. Cl.** **D21/773**

[58] **Field of Search** D21/766-774;
280/607, 613-615, 623

[56] **References Cited**

U.S. PATENT DOCUMENTS

- 5,505,477 4/1996 Turner et al. 280/613
- 5,690,350 11/1997 Turner et al. 280/613

Primary Examiner—Kay H. Chin
Attorney, Agent, or Firm—Ladas & Parry

[57] **CLAIM**

The ornamental design a snowboard binder, as shown and described.

DESCRIPTION

FIG. 1 is a top perspective view of a snowboard binder showing my new design;
 FIG. 2 is a front elevation view thereof;
 FIG. 3 is a rear elevation view thereof;
 FIG. 4 is a left side elevational view thereof.
 FIG. 5 is a right side elevational view thereof;
 FIG. 6 is a top plan view thereof;
 FIG. 7 is a bottom plan view thereof;
 FIG. 8 is an exploded top perspective view thereof; and,
 FIG. 9 is another exploded top perspective view thereof.

1 Claim, 6 Drawing Sheets

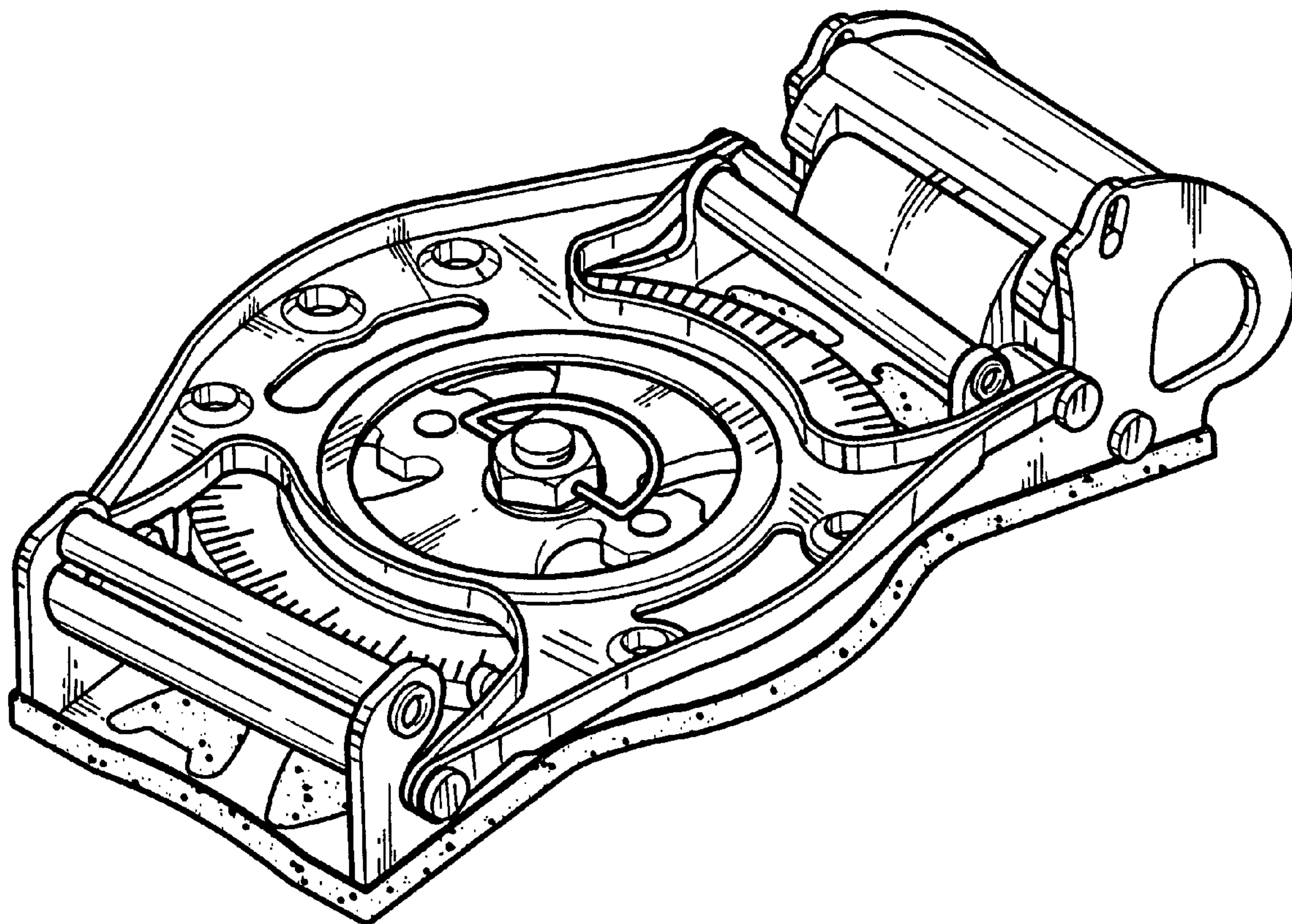


FIG. 1

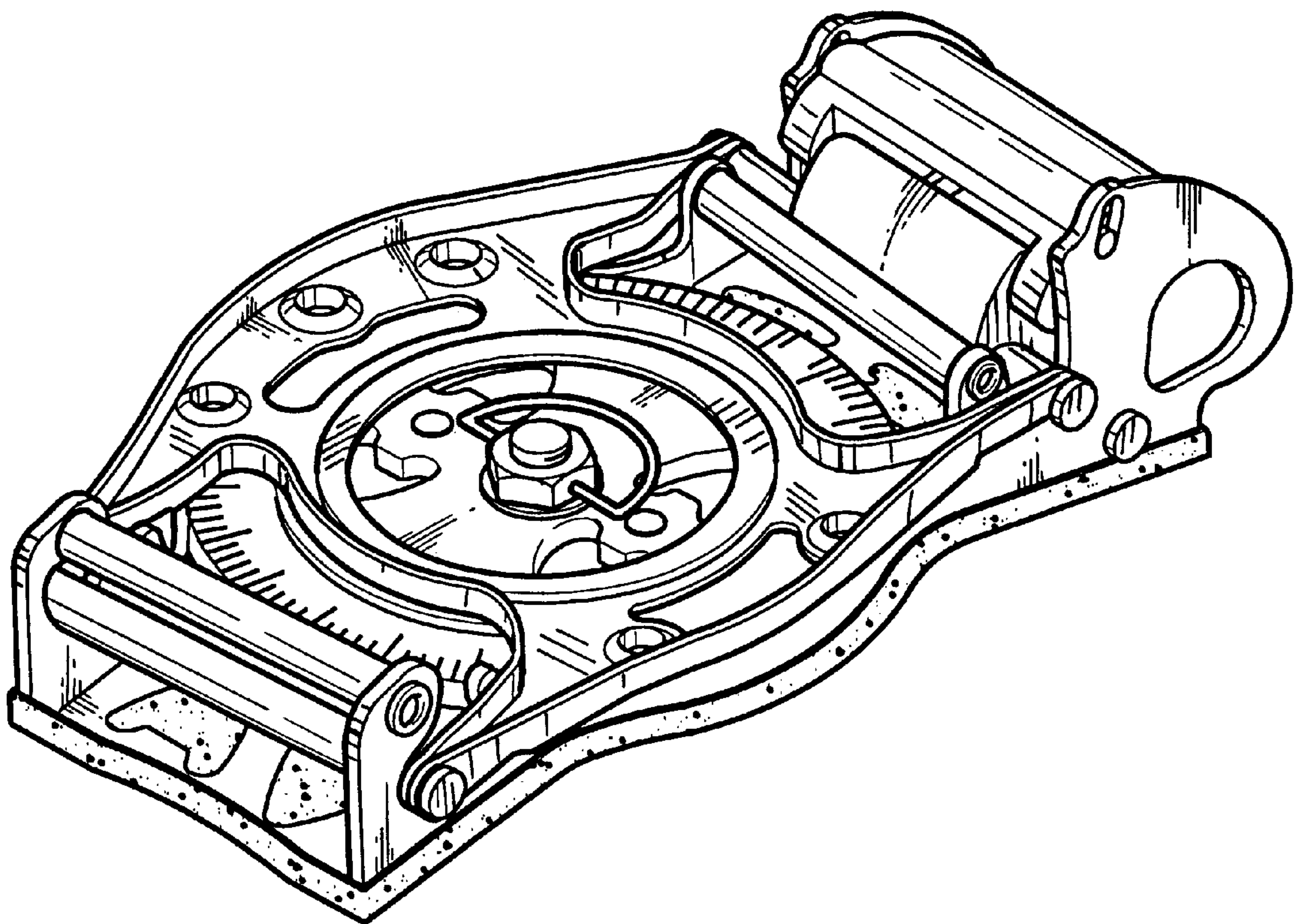


FIG. 2

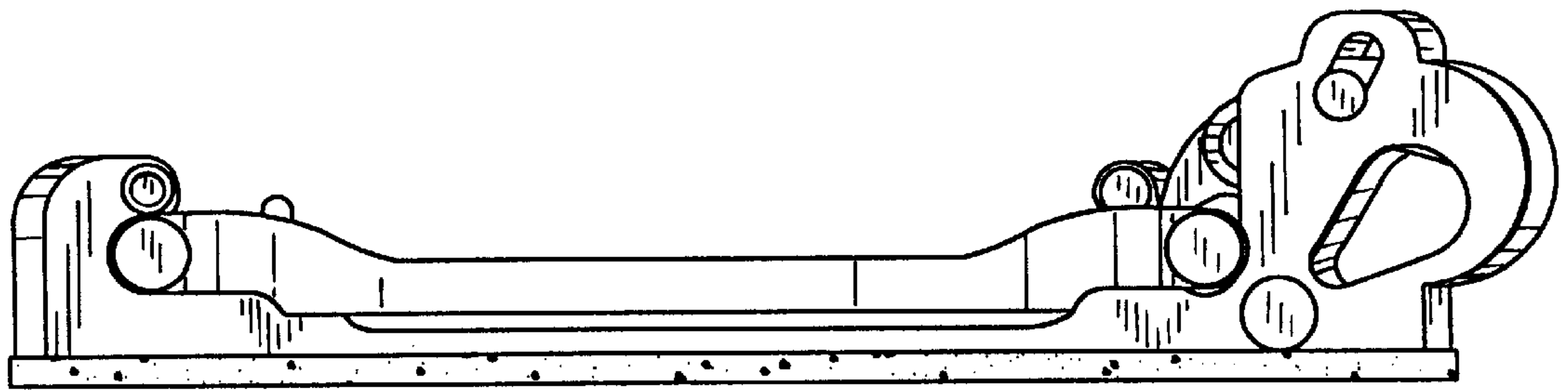


FIG. 3

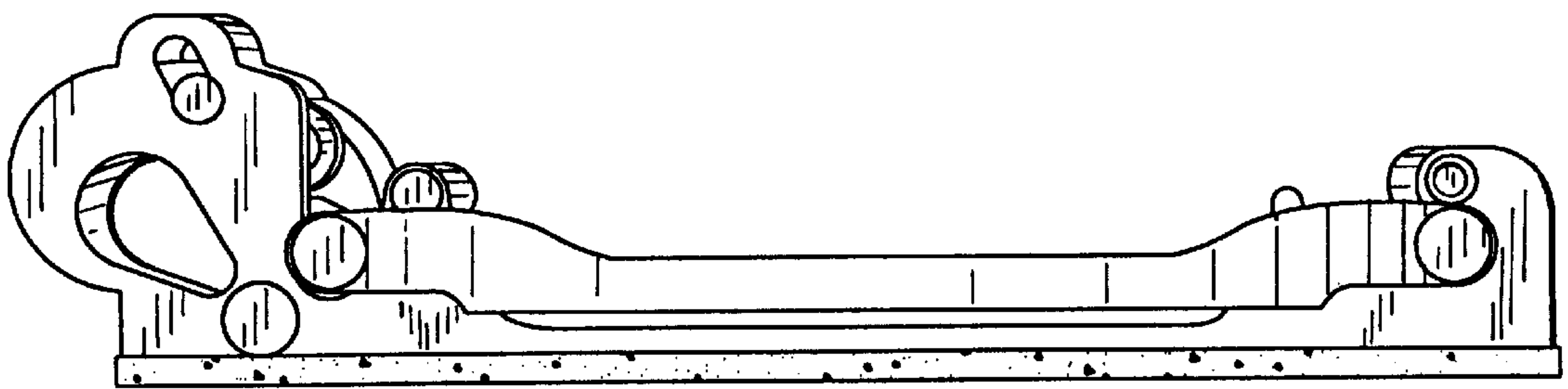


FIG. 4

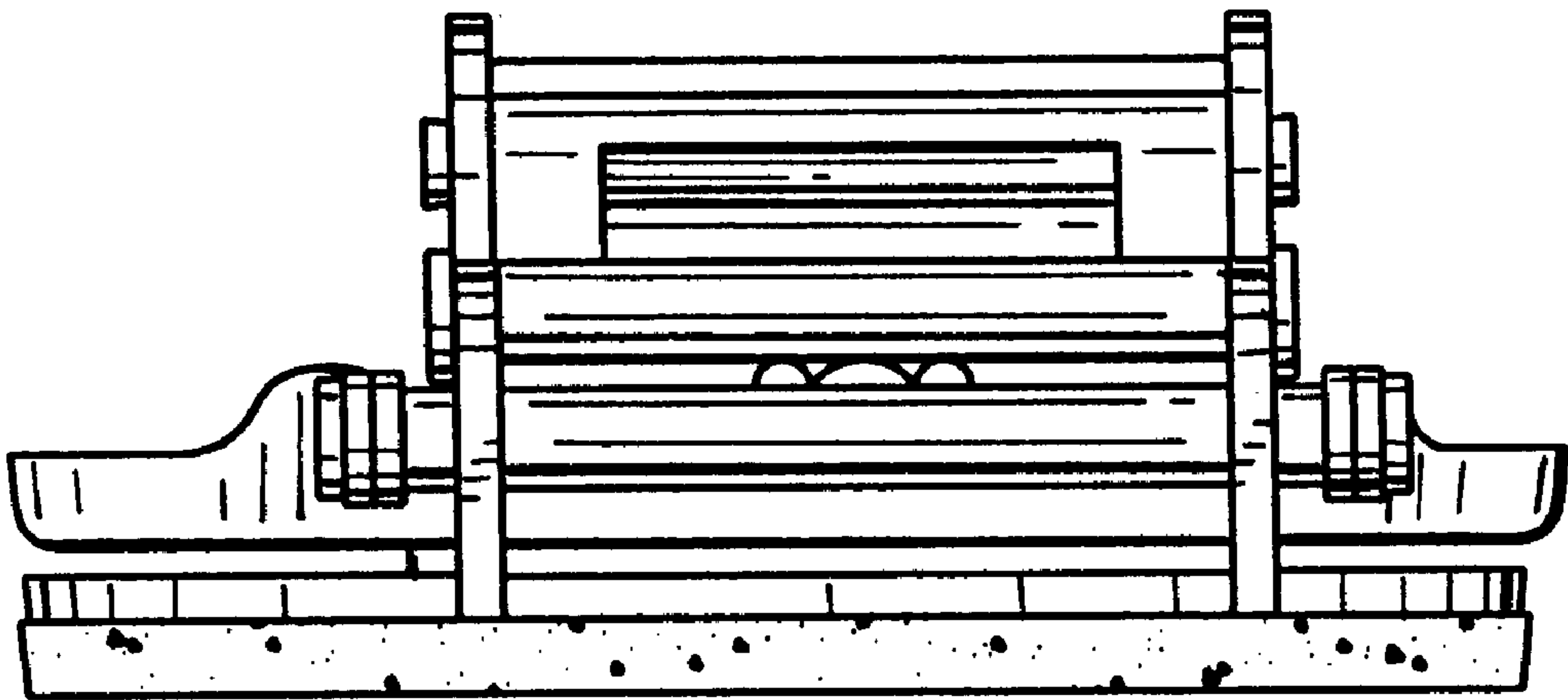


FIG. 5

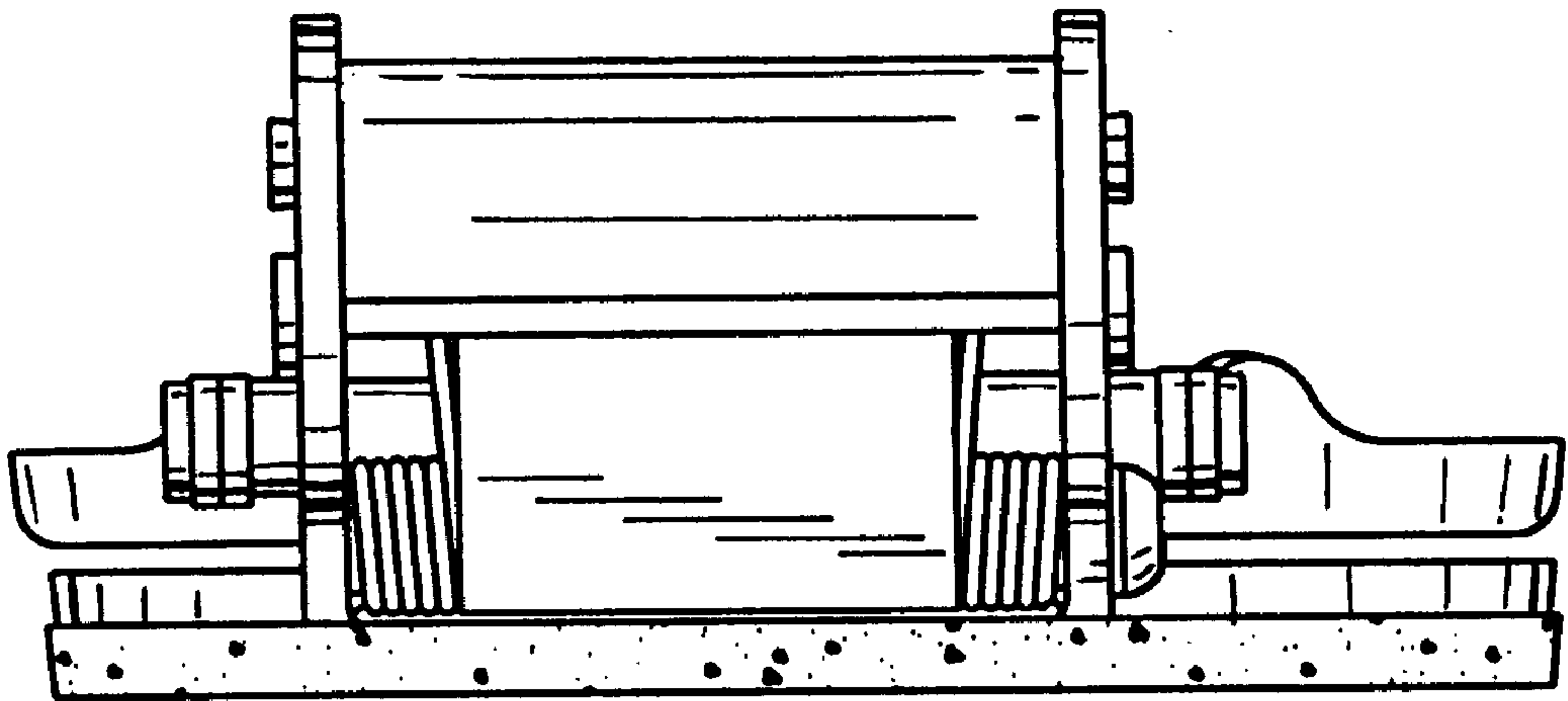


FIG. 6

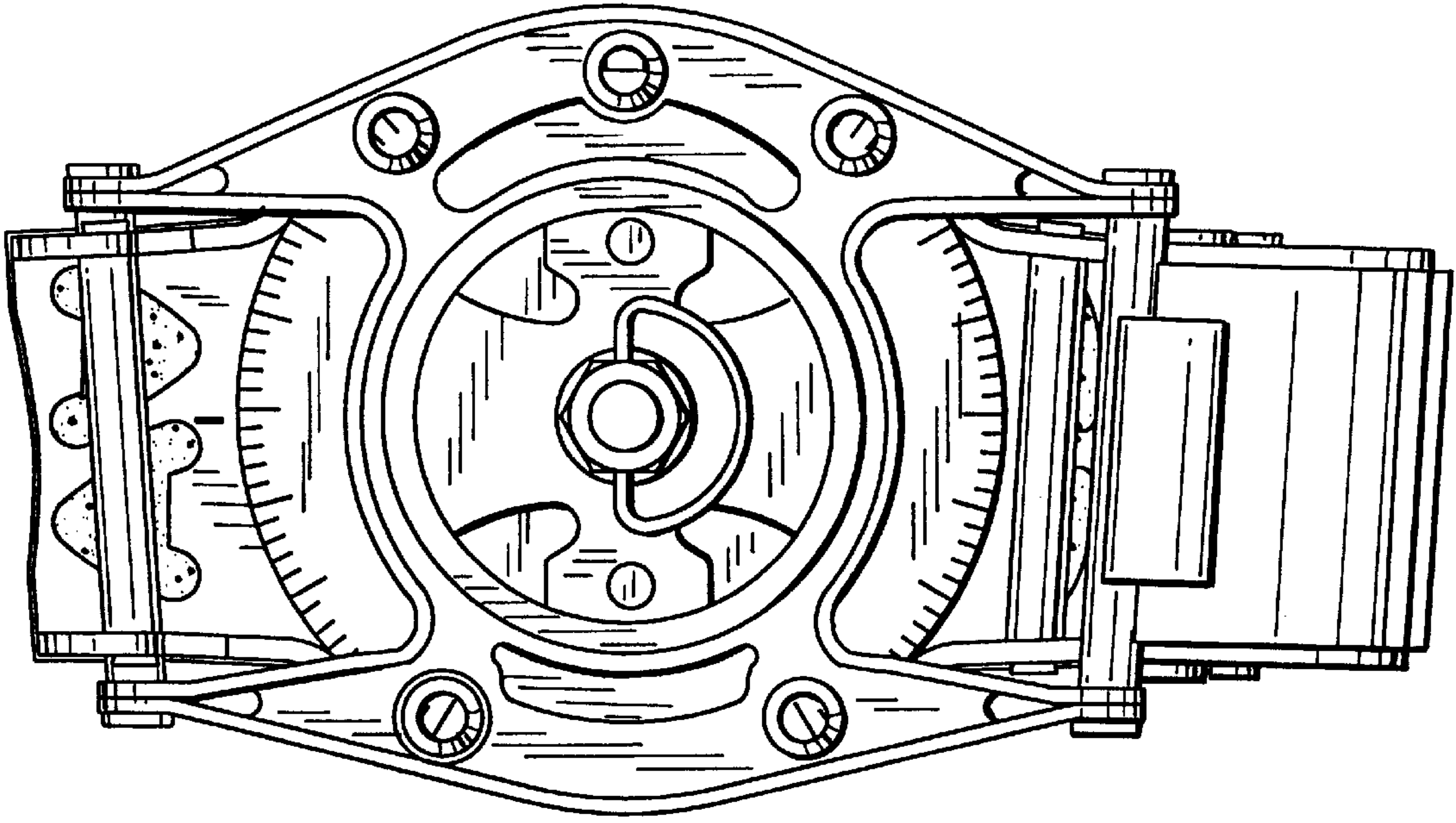


FIG. 7

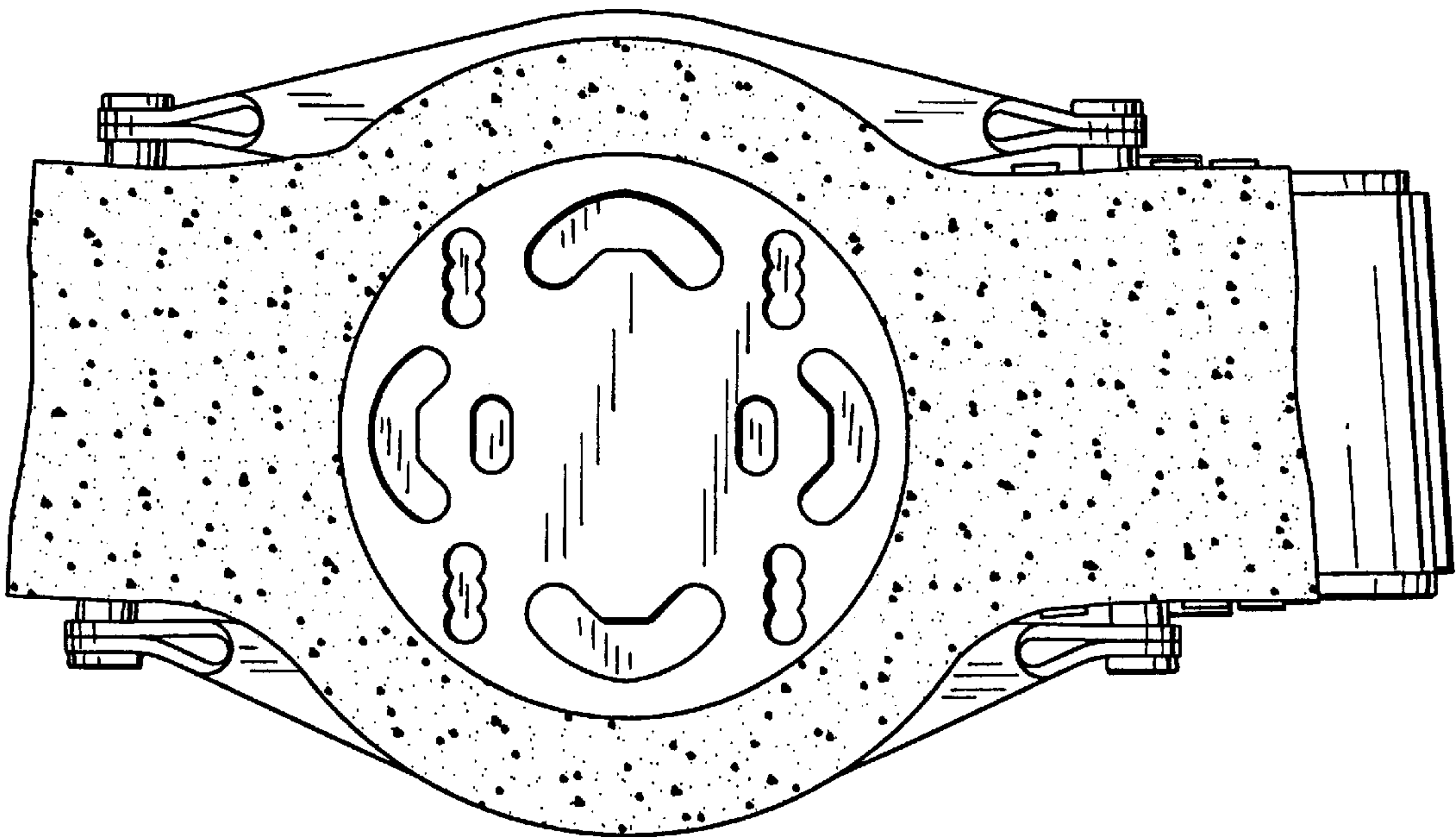


FIG. 8

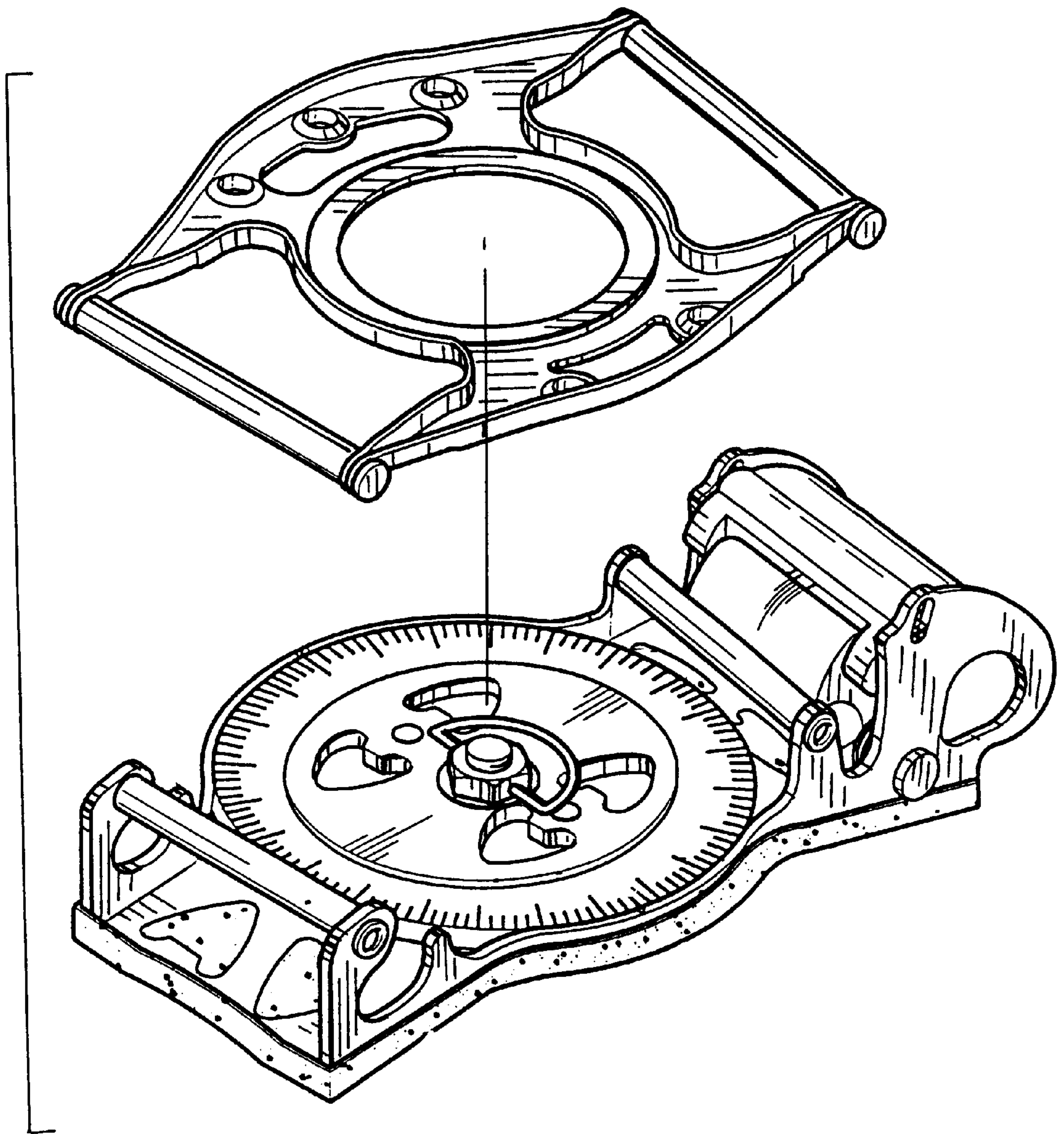
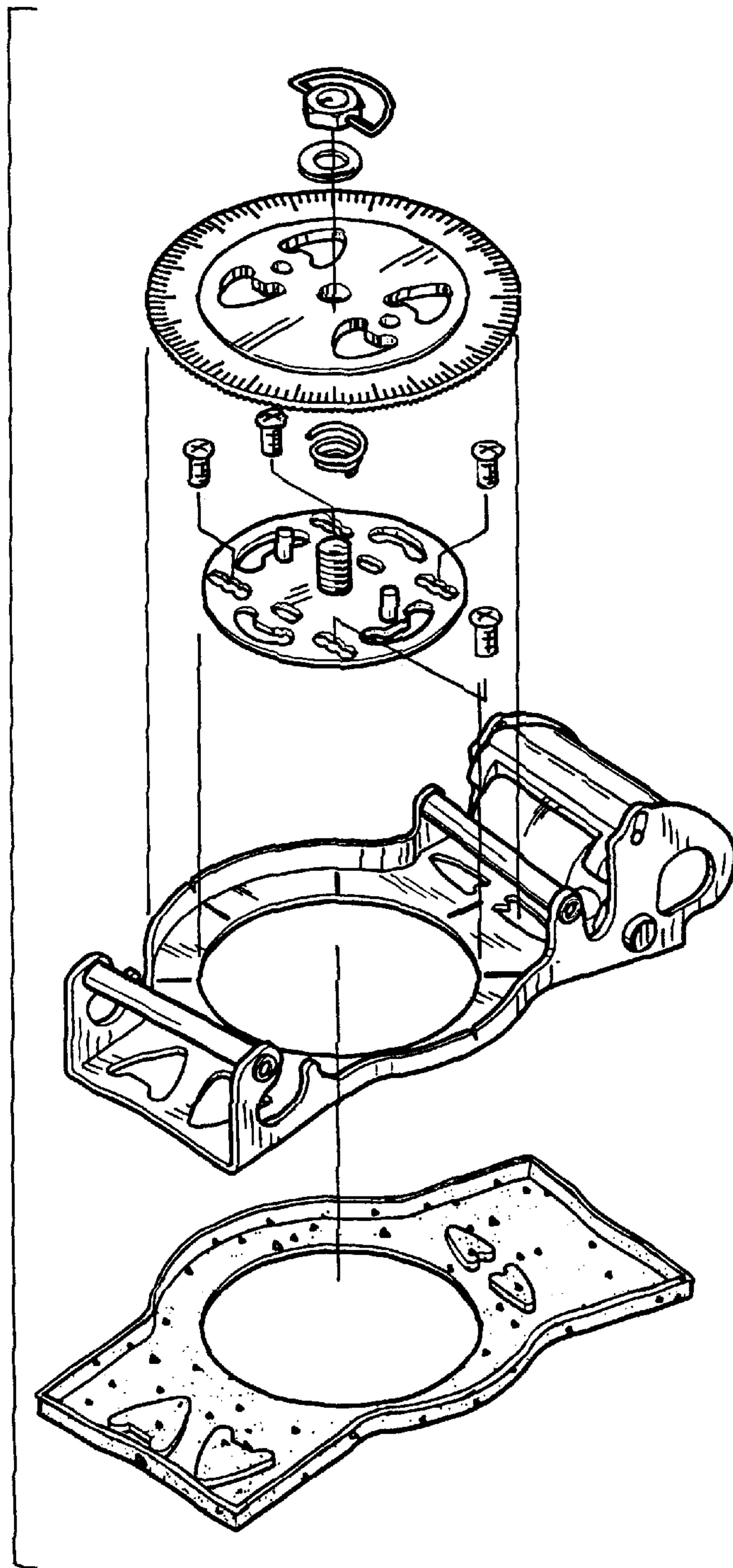


FIG. 9



UNITED STATES PATENT AND TRADEMARK OFFICE

CERTIFICATE OF CORRECTION

PATENT NO. : Des. 410,985

DATED : June 15, 1999

INVENTOR(S) : Jong Gu Lee

It is certified that error appears in the above-identified patent and that said Letters Patent is hereby corrected as shown below:

On Title Page, delete "[73] Assignee: Ellim Corporation Limited, Kyunggi-do, Rep of Korea".

Signed and Sealed this
Eighth Day of February, 2000

Attest:



Q. TODD DICKINSON

Attesting Officer

Commissioner of Patents and Trademarks