



US00D410984S

**United States Patent** [19]  
**Lee**

[11] **Patent Number: Des. 410,984**

[45] **Date of Patent: \*\* Jun. 15, 1999**

[54] **SNOWBOARD BOOTS**

[75] Inventor: **Jong Gu Lee**, Seoul, Rep. of Korea

[73] Assignee: **Ellim Corporation Limited**,  
Kyunggi-do, Rep. of Korea

[\*\*] Term: **14 Years**

[21] Appl. No.: **29/084,142**

[22] Filed: **Feb. 25, 1998**

[51] **LOC (6) Cl.** ..... **21-02**

[52] **U.S. Cl.** ..... **D21/771**

[58] **Field of Search** ..... D21/766-774;  
280/607, 613-615, 623

[56] **References Cited**

**U.S. PATENT DOCUMENTS**

5,505,477 4/1996 Turner et al. .... 280/613  
5,690,350 11/1997 Turner et al. .... 280/613

*Primary Examiner*—Kay H. Chin  
*Attorney, Agent, or Firm*—Ladas & Parry

[57] **CLAIM**

The ornamental design for snowboard boots, as shown and described.

**DESCRIPTION**

FIG. 1 is a top perspective view of a snowboard boot showing my new design;  
FIG. 2 is a front elevational view thereof;  
FIG. 3 is a rear elevational view thereof;  
FIG. 4 is a left side elevational view thereof;  
FIG. 5 is a right side elevational view thereof;  
FIG. 6 is a top plan view thereof;  
FIG. 7 is a bottom plan view thereof;  
FIG. 8 is an exploded top perspective view thereof; and,  
FIG. 9 is an exploded bottom perspective view thereof.

**1 Claim, 6 Drawing Sheets**

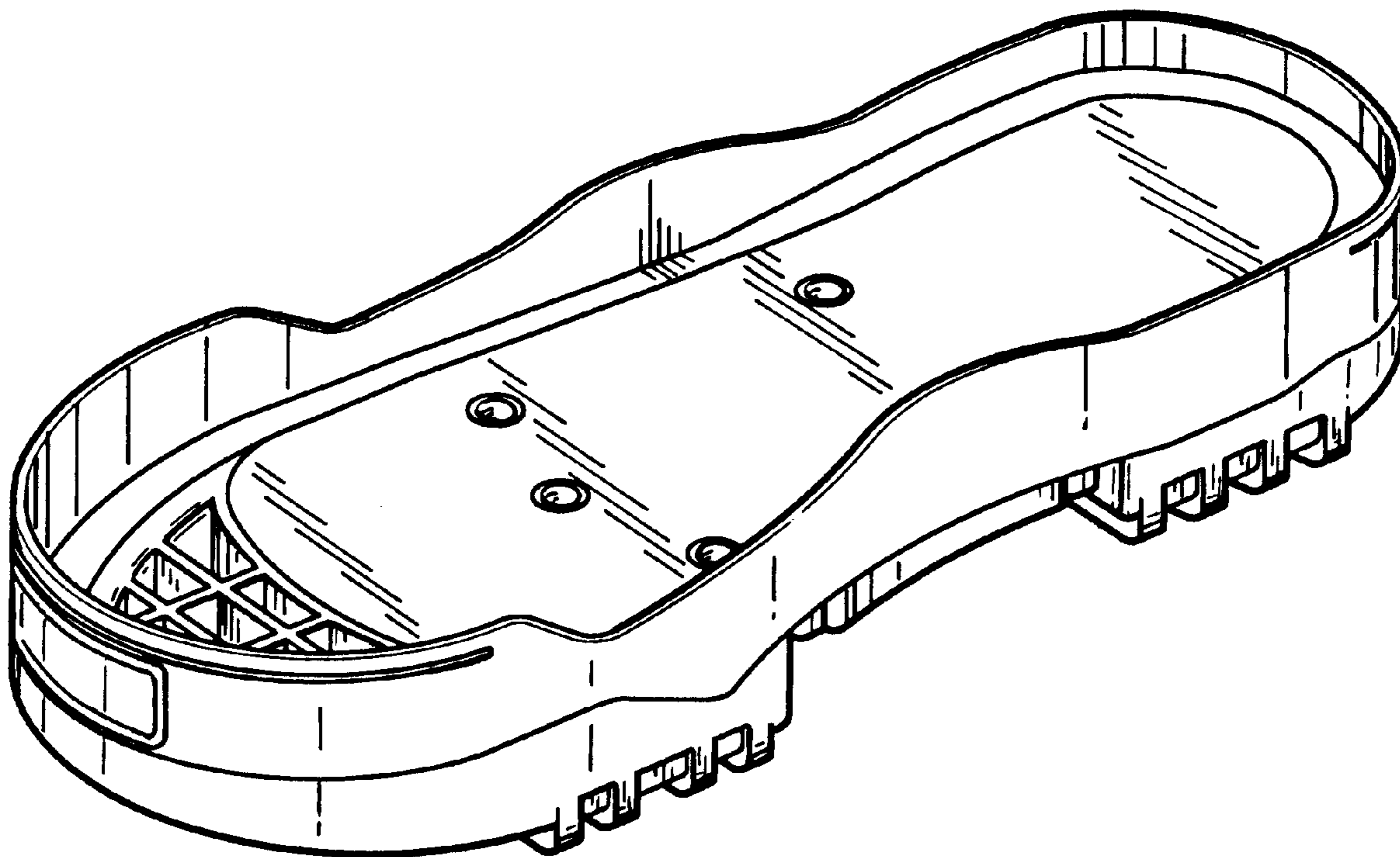


FIG. 1

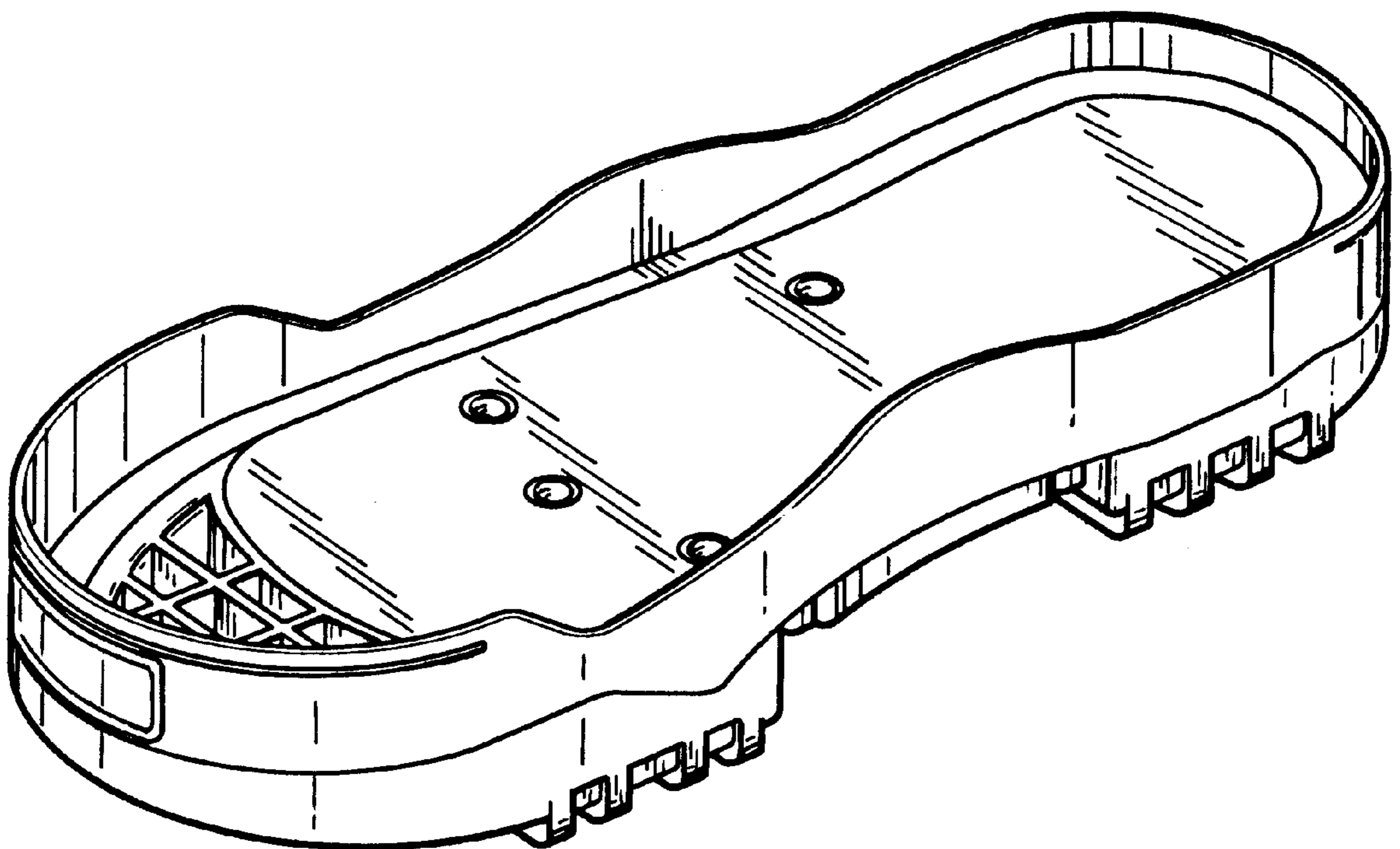


FIG. 2

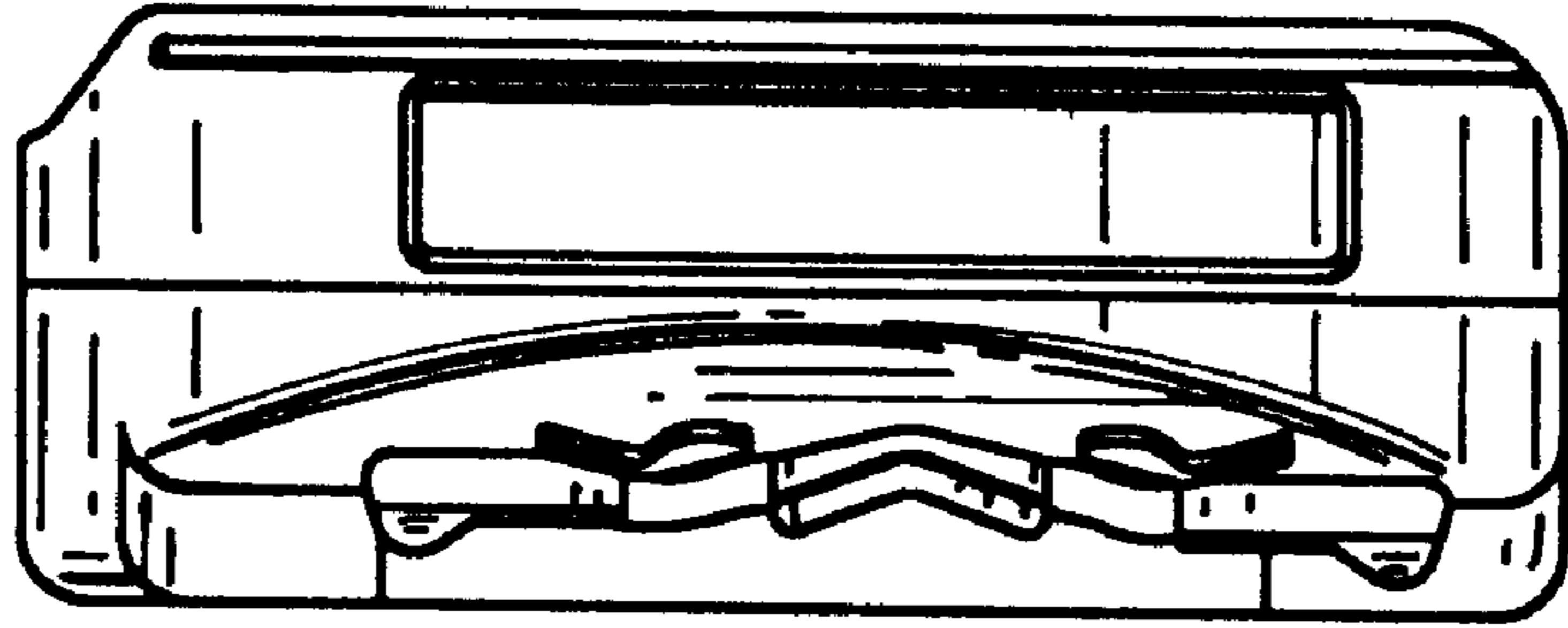


FIG. 3

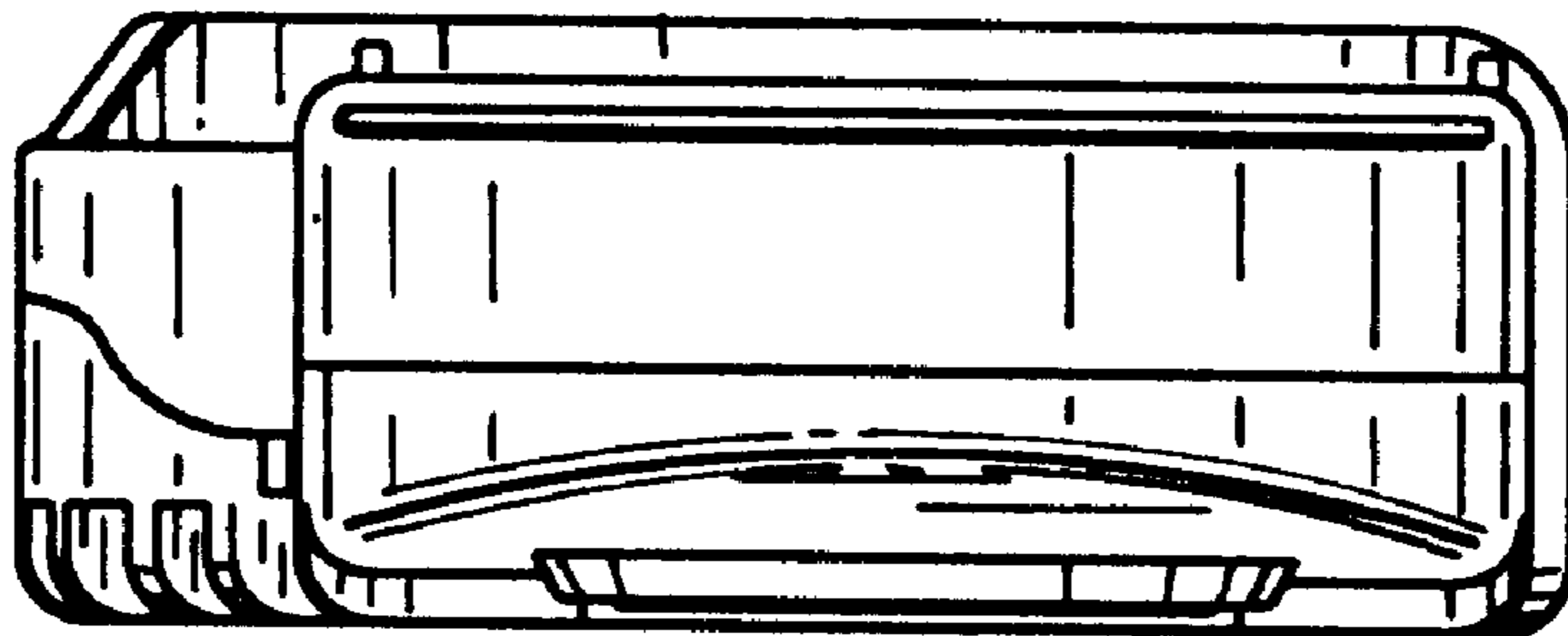


FIG. 4

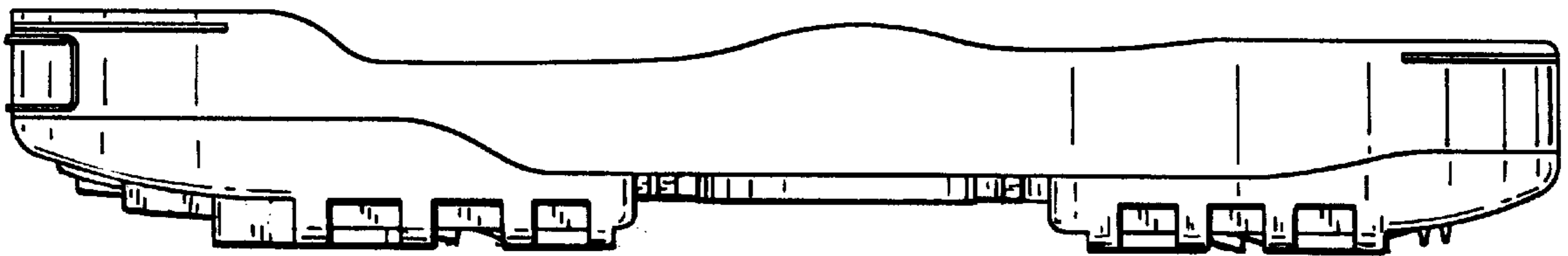


FIG. 5

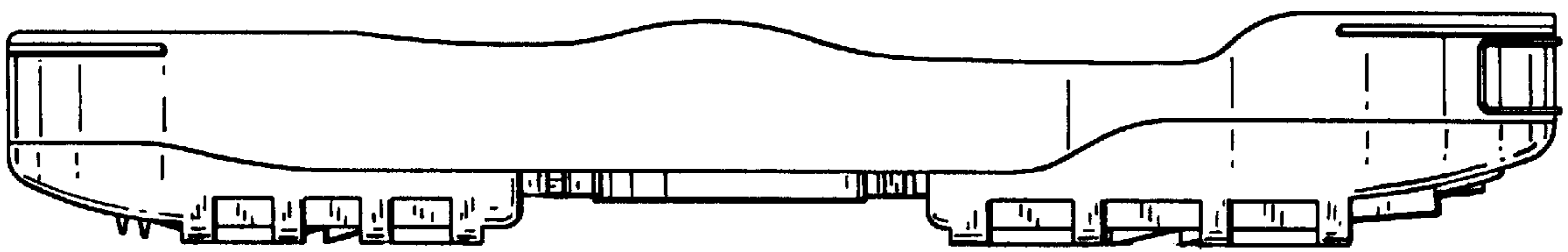


FIG. 6

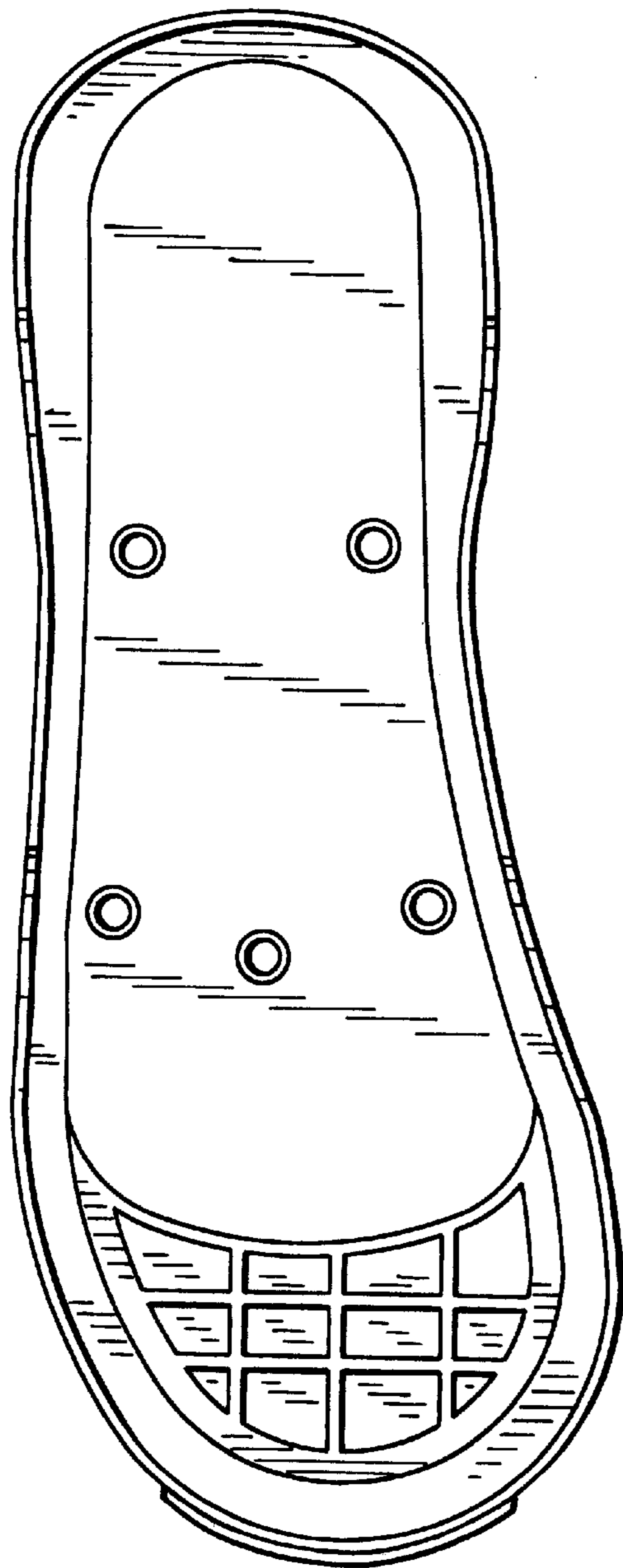
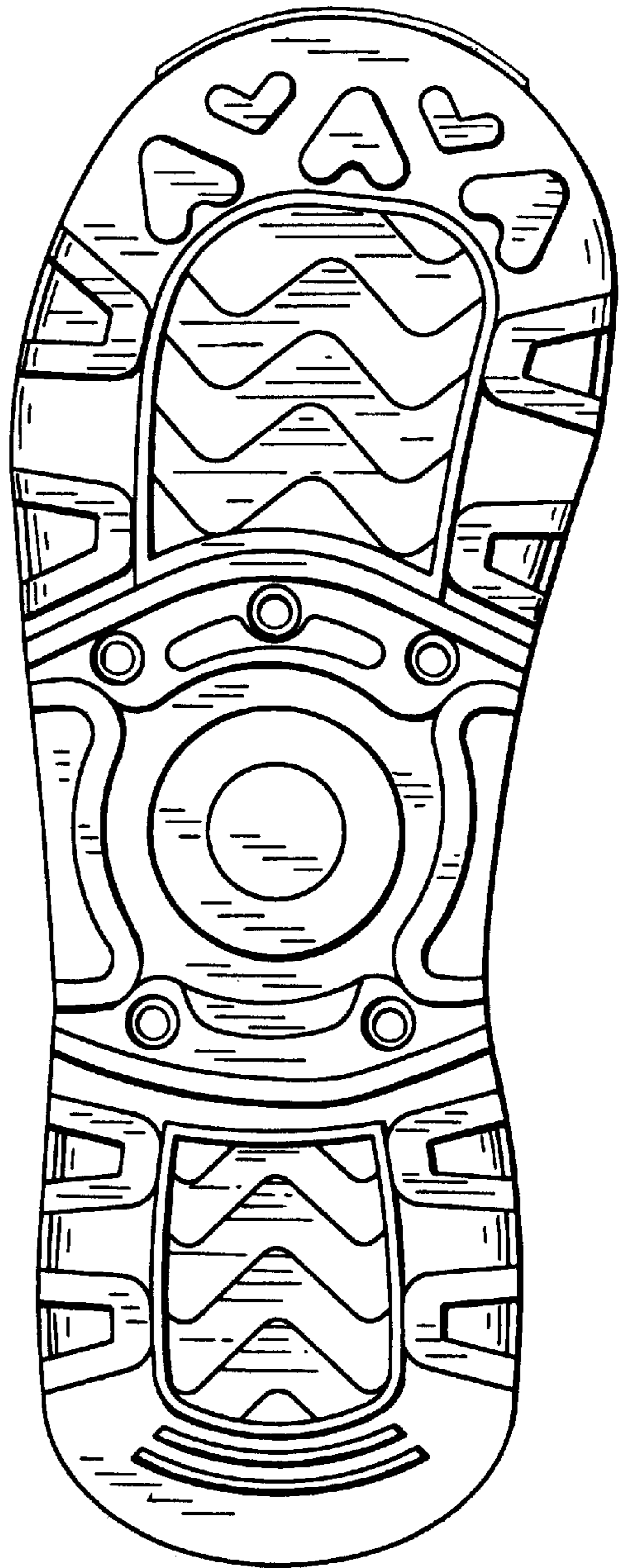


FIG. 7



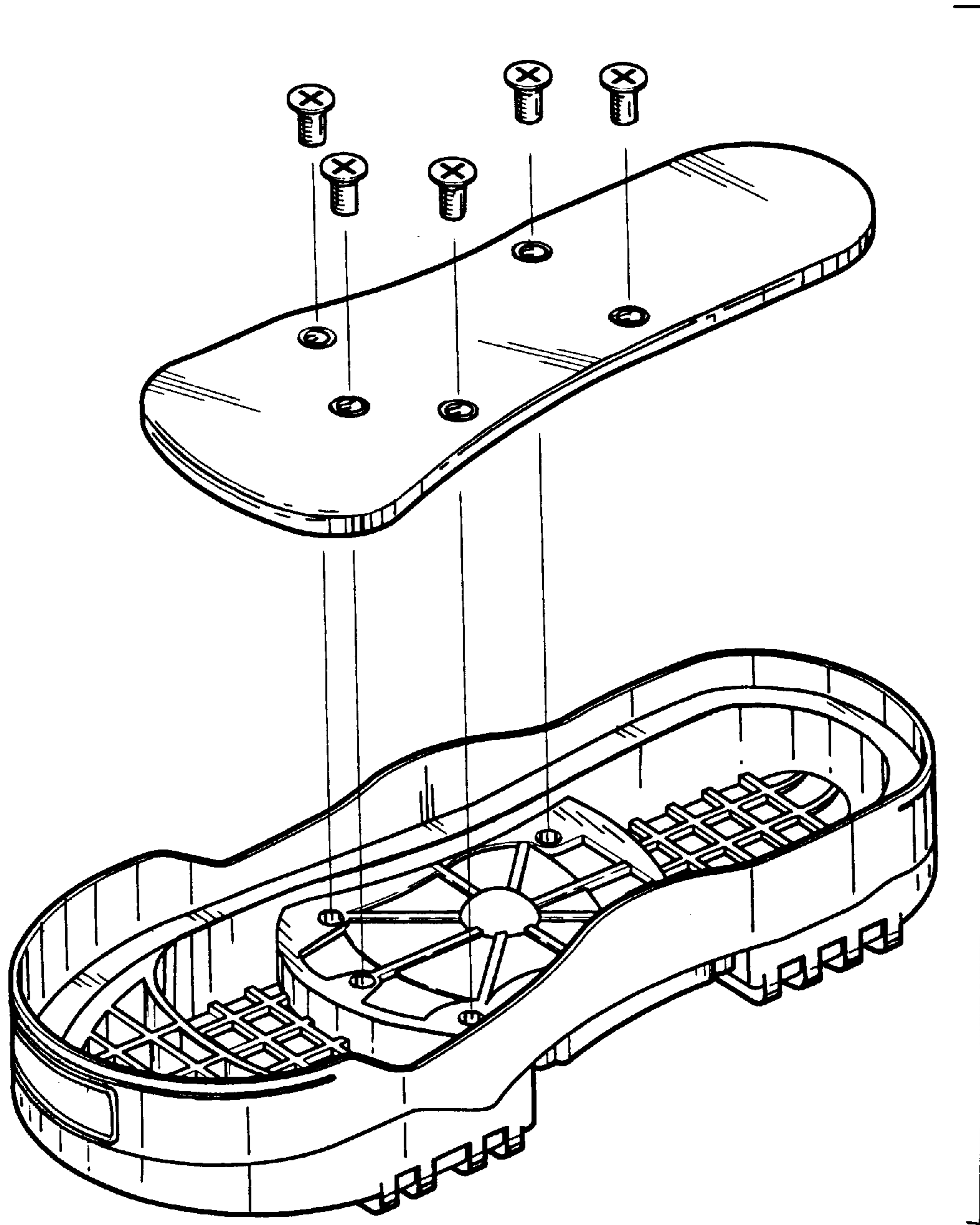
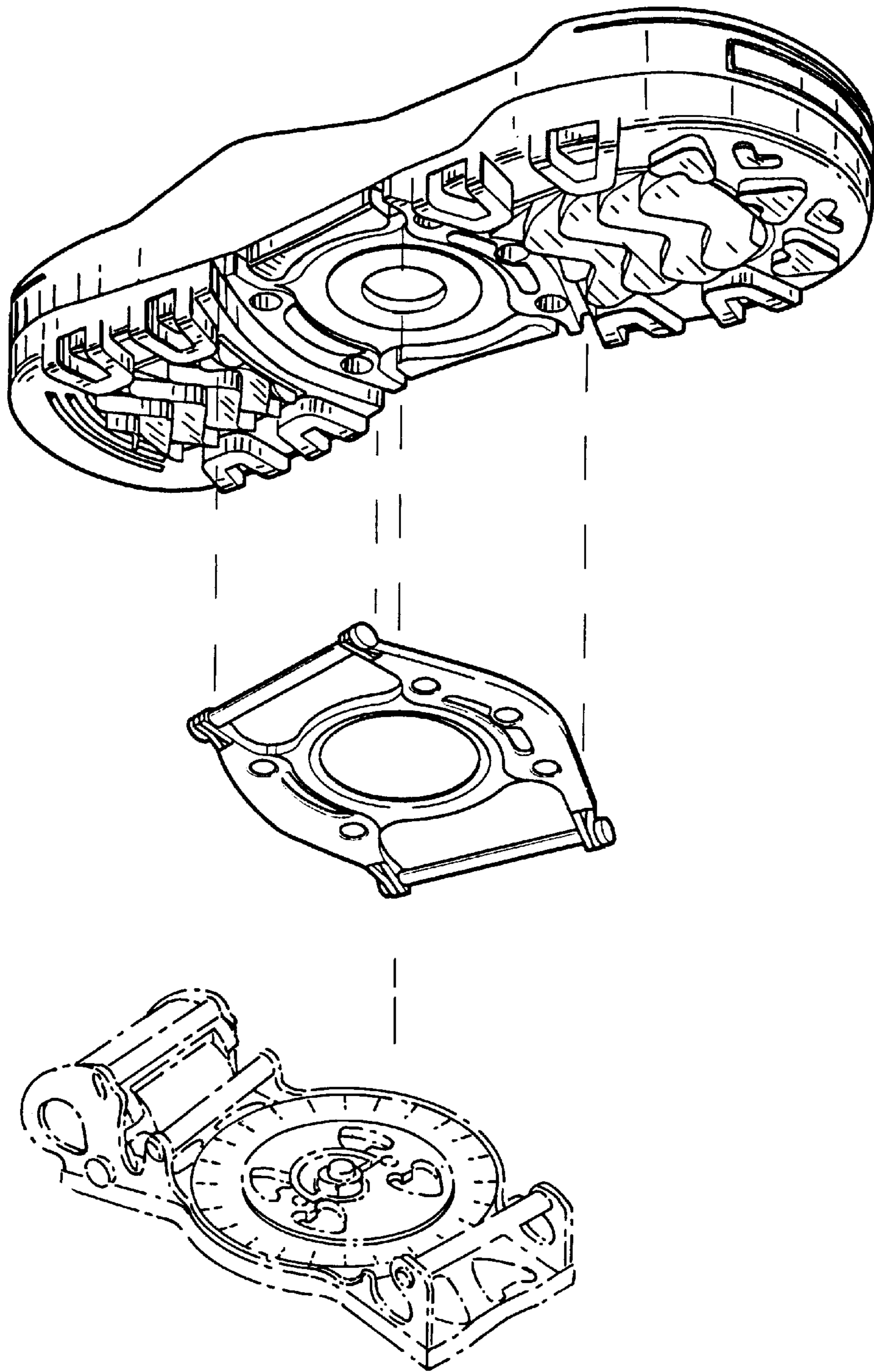


FIG. 8

FIG. 9



UNITED STATES PATENT AND TRADEMARK OFFICE  
**CERTIFICATE OF CORRECTION**

PATENT NO. : Des 410,984  
DATED : June 15, 1999  
INVENTOR(S) : Jong Gu Lee

Page 1 of 1

It is certified that error appears in the above-identified patent and that said Letters Patent is hereby corrected as shown below:

Title page,

Delete “[73] Assignee: Ellim Corporation Limited, Kyunggi-do,  
Rep of Korea”.

Signed and Sealed this

Sixth Day of November, 2001

*Attest:*

*Nicholas P. Godici*

*Attesting Officer*

NICHOLAS P. GODICI  
*Acting Director of the United States Patent and Trademark Office*