



US00D410980S

United States Patent [19]

[11] **Patent Number: Des. 410,980**

Williams et al.

[45] **Date of Patent: ** Jun. 15, 1999**

[54] **GOLF PUTTER HEAD**

[76] Inventors: **Ronald Williams**, 60 Brockway Rd., Woodstock, Conn. 06282; **Guy Lapointe**, 231 Blackhill Rd., Plainfield, Conn. 06374

[**] Term: **14 Years**

[21] Appl. No.: **29/090,855**

[22] Filed: **Jul. 17, 1998**

[51] **LOC (6) Cl.** **21-02**

[52] **U.S. Cl.** **D21/736**

[58] **Field of Search** D21/736-746;
473/251-256, 340, 341, 324, 327, 328,
329

[56] **References Cited**

U.S. PATENT DOCUMENTS

D. 269,537	6/1983	Tucker	D21/736
3,917,277	11/1975	Beck et al.	473/255
4,964,639	10/1990	Tucker	473/255

Primary Examiner—Mitchell I Siegel
Attorney, Agent, or Firm—Albert Peter Durigon

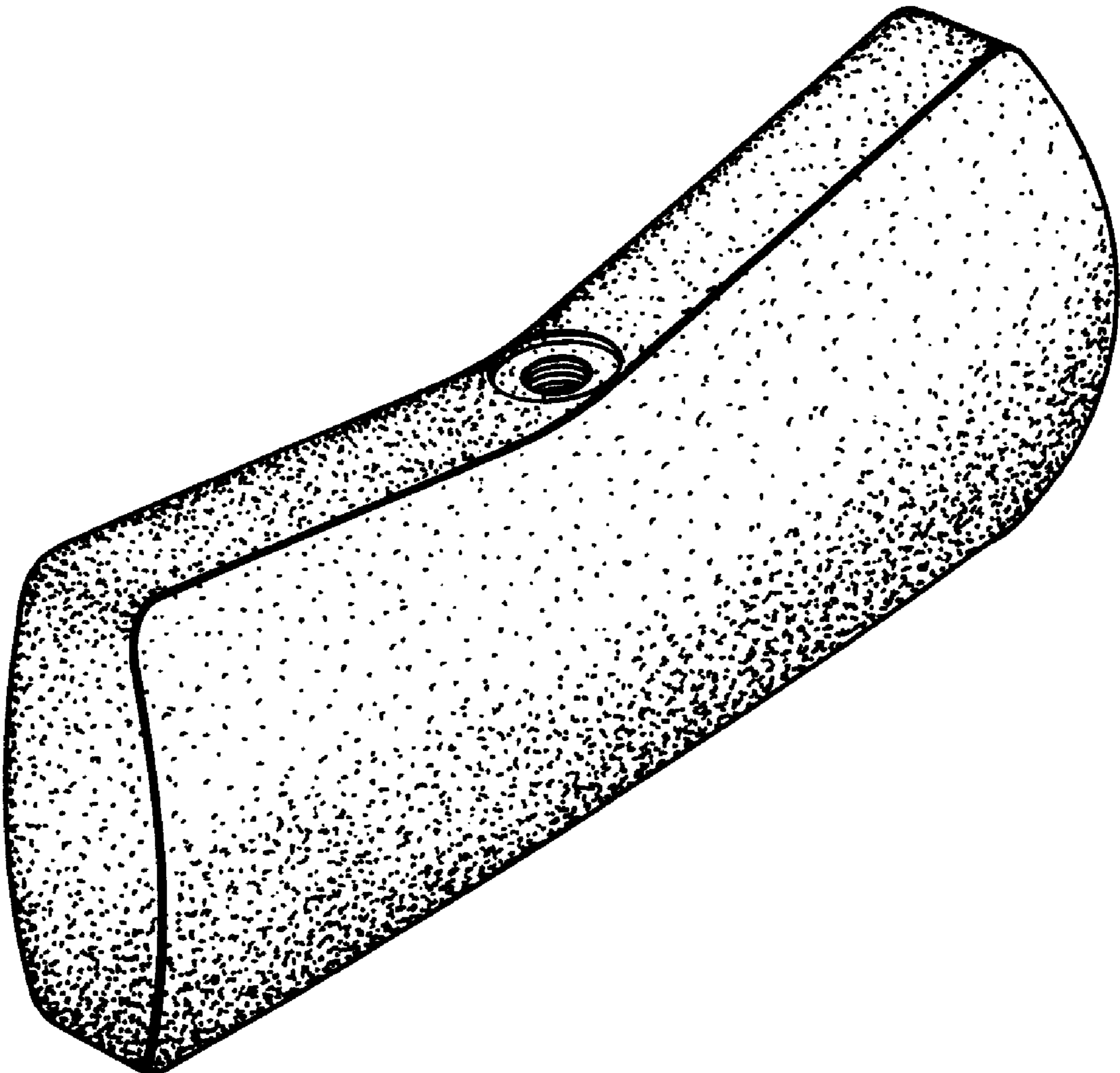
[57] **CLAIM**

The ornamental design for a golf putter head, as shown and described.

DESCRIPTION

FIG. 1 is a front elevational view of the golf putter head of the present invention;
FIG. 2 is a rear elevational view of the golf putter head of the present invention;
FIG. 3 is an end elevational view of the golf putter head of the present invention, both ends being identical;
FIG. 4 is a top plan view of the golf putter head of the present invention;
FIG. 5 is a bottom plan view right of the golf putter head of the present invention;
FIG. 6 is a front perspective view of the golf putter head of the present invention; and,
FIG. 7 is a rear perspective view of the golf putter head of the present invention.

1 Claim, 2 Drawing Sheets



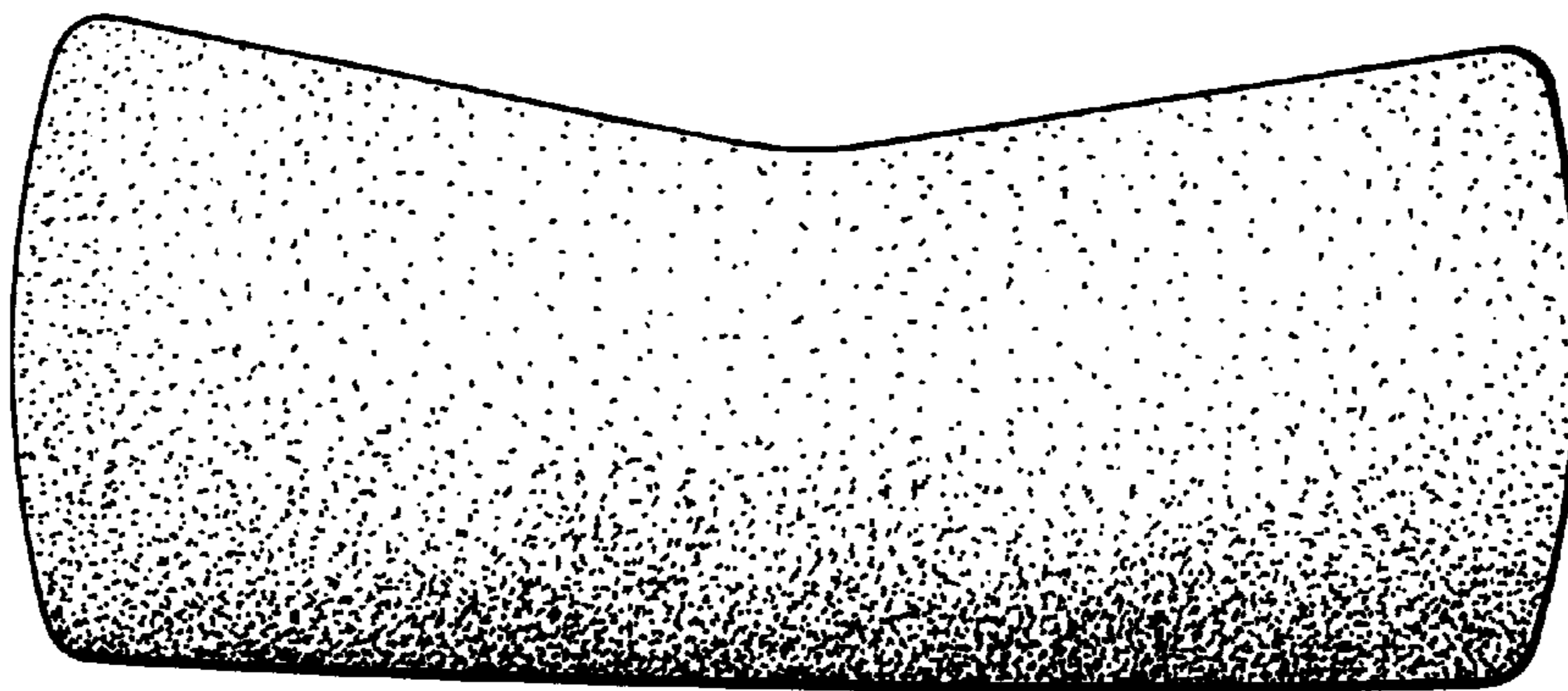


FIG. 1

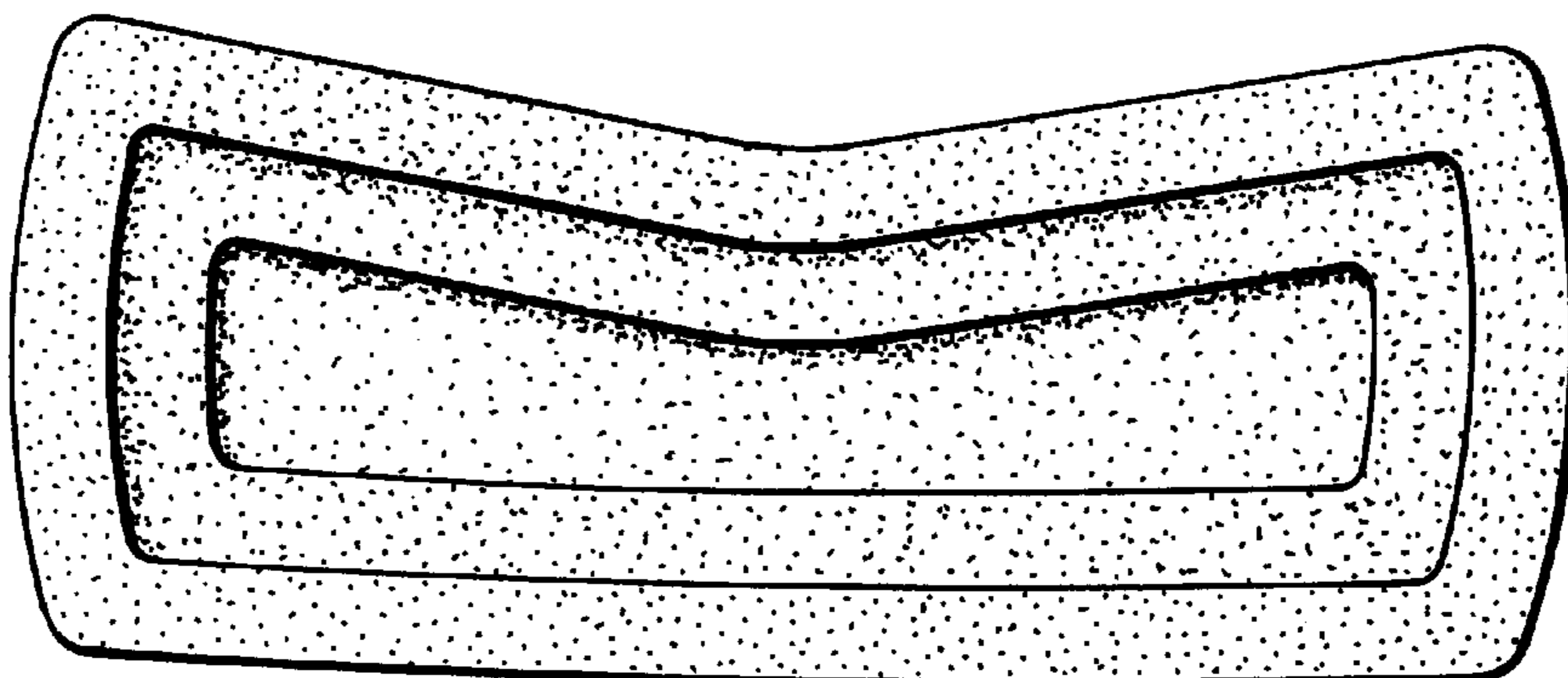


FIG. 2

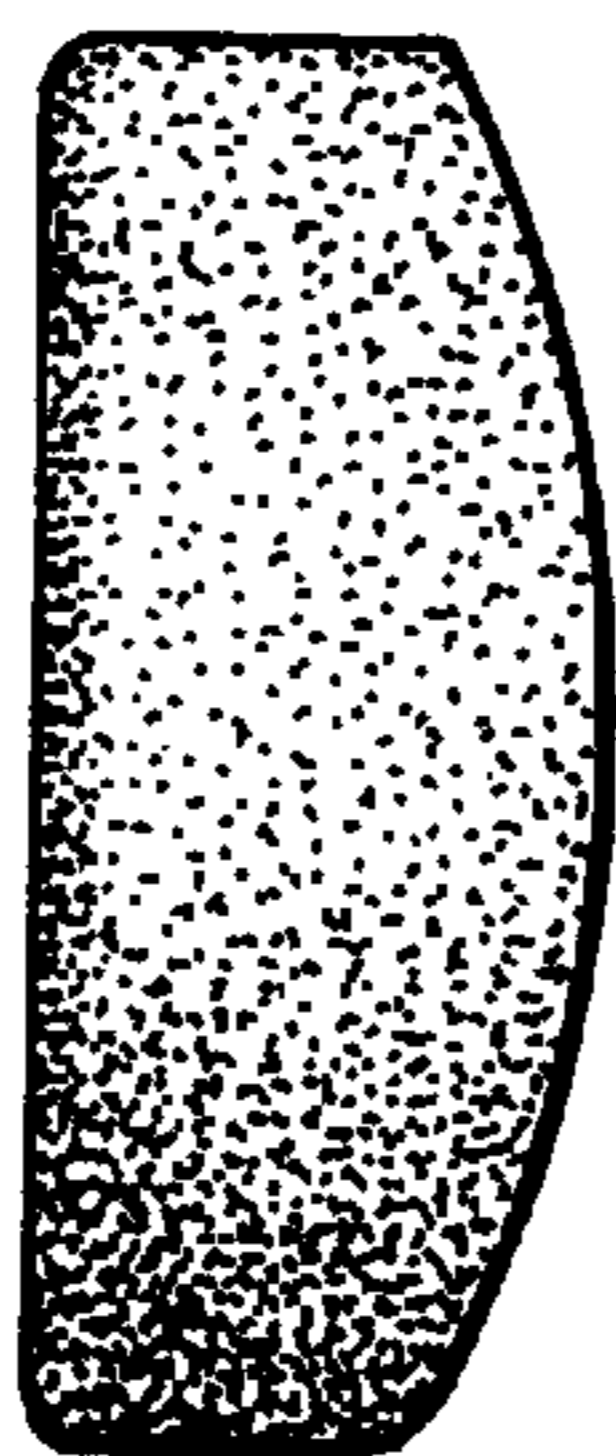


FIG. 3

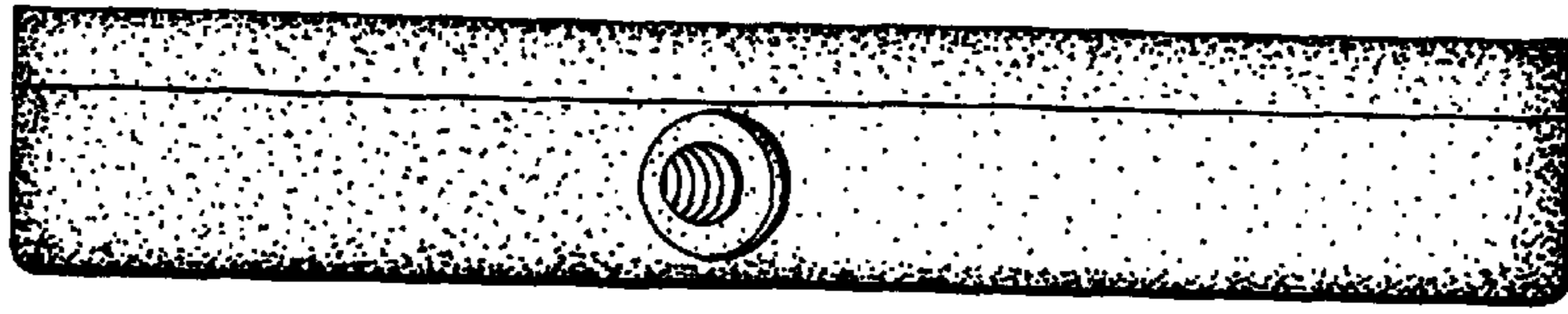


FIG. 4

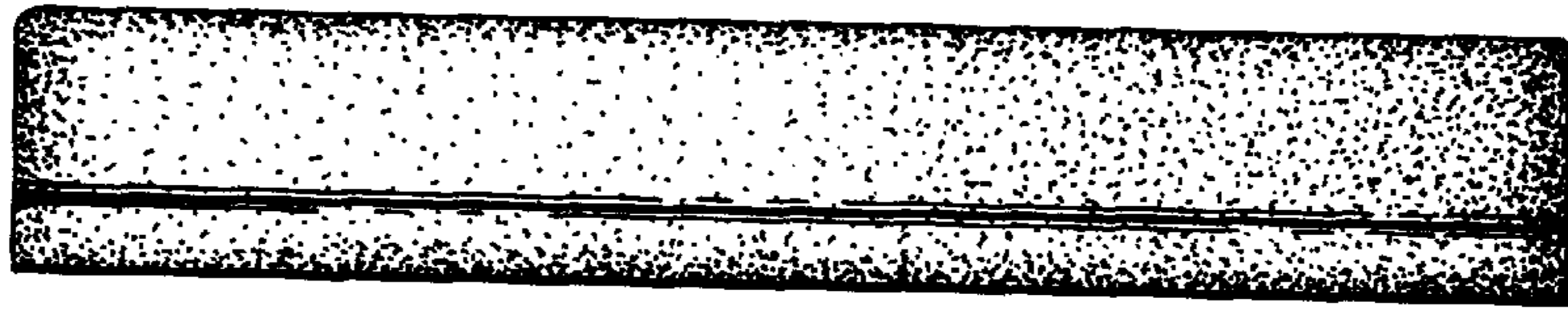


FIG. 5

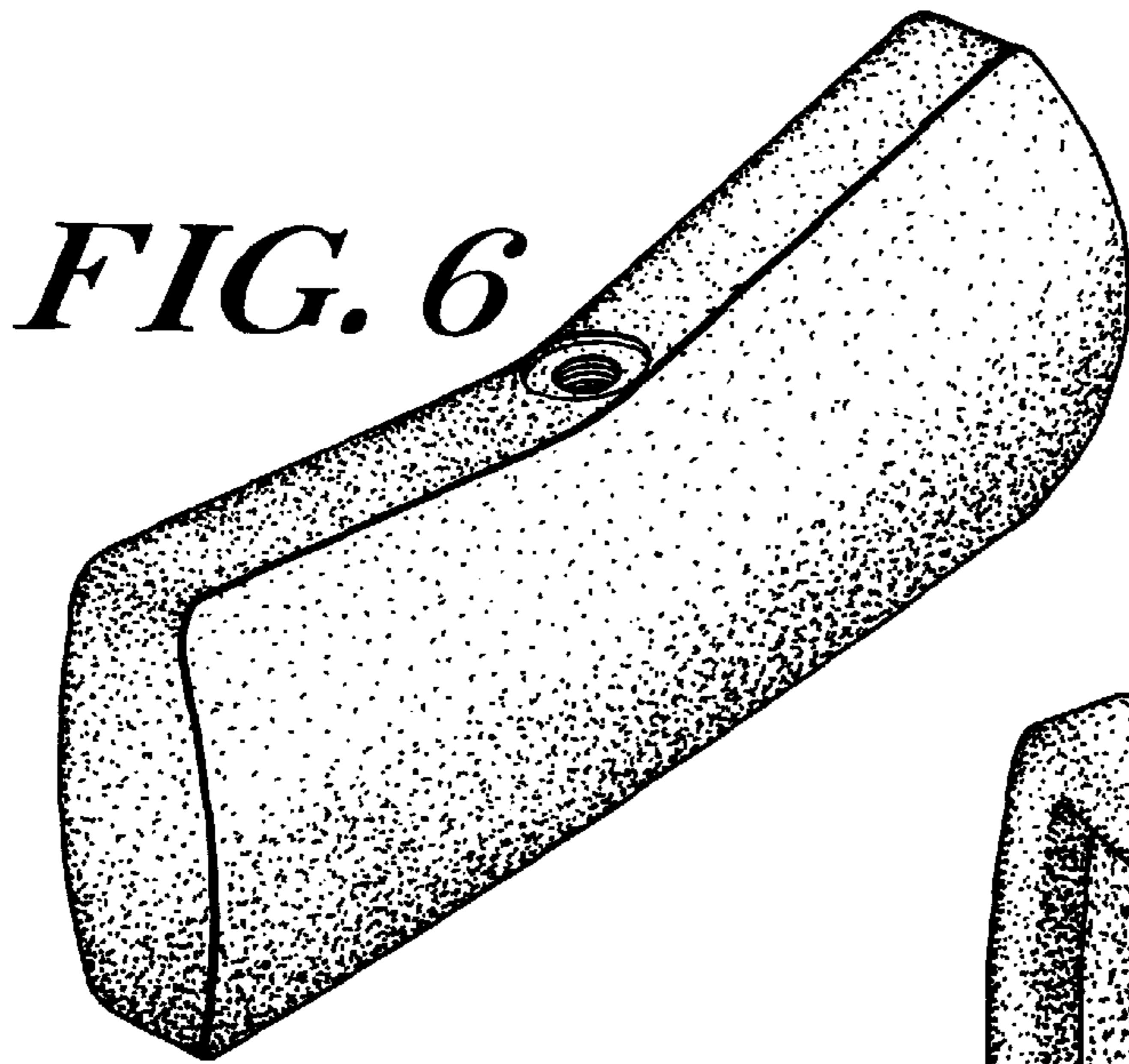


FIG. 6

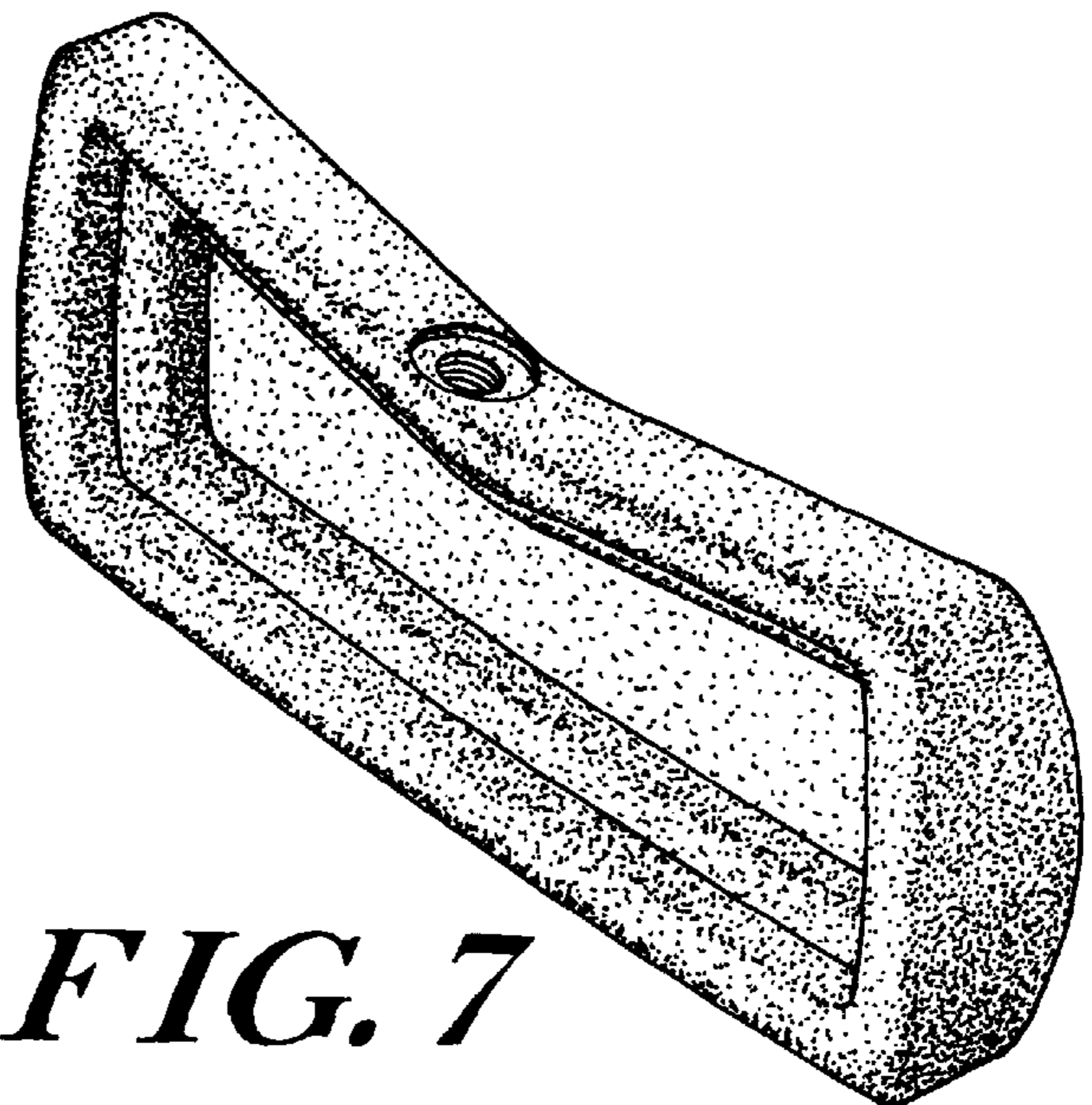


FIG. 7