



US00D410978S

United States Patent [19]
Littrell et al.

[11] **Patent Number: Des. 410,978**
[45] **Date of Patent: ** Jun. 15, 1999**

[54] **CROSS TRAINING EXERCISER**
[75] Inventors: **David T. Littrell**, Lynnwood; **Paul D. Barker**, Woodinville; **James S. Birrell**, Seattle, all of Wash.
[73] Assignee: **Precor Incorporated**, Bothell, Wash.
[**] Term: **14 Years**
[21] Appl. No.: **29/056,952**
[22] Filed: **Jul. 12, 1996**
[51] **LOC (6) Cl.** **21-02**
[52] **U.S. Cl.** **D21/668**
[58] **Field of Search** D21/191, 192,
D21/193, 194, 195; 482/51, 57, 148, 52,
53, 71, 72

4,555,109 11/1985 Hartmann .
4,561,318 12/1985 Schirmacher .
4,645,200 2/1987 Hix .
4,679,786 7/1987 Rodgers .
4,720,093 1/1988 Del Mar .
4,779,863 10/1988 Yang .
4,786,050 11/1988 Geschwender .
4,869,494 9/1989 Lambert, Sr. .
4,949,954 8/1990 Hix .
4,986,261 1/1991 Iams et al. .
4,989,857 2/1991 Kuo .
5,038,758 8/1991 Iams et al. .
5,039,087 8/1991 Kuo .
5,039,088 8/1991 Shifferaw .
5,131,895 7/1992 Rogers, Jr. .
5,149,312 9/1992 Croft et al. .
5,186,697 2/1993 Rennex .
5,242,343 9/1993 Miller .
5,279,529 1/1994 Eschenbach .
5,279,530 1/1994 Hess .
5,290,211 3/1994 Stearns .

[56] **References Cited**

(List continued on next page.)

U.S. PATENT DOCUMENTS

219,439 9/1879 Blend .
D. 330,236 10/1992 Jarriel et al. .
D. 372,282 7/1996 Pasero et al. D21/191
D. 388,847 1/1998 Whan-Tong et al. .
518,757 5/1894 Hoyt .
1,323,004 11/1919 Boyd .
2,603,486 7/1952 Hughes .
2,641,249 6/1953 Brockman .
2,826,192 3/1958 Mangas .
2,892,455 6/1959 Hutton .
3,316,898 5/1967 Brown .
3,432,164 3/1969 Deeks .
3,475,021 10/1969 Ruegsegger .
3,566,861 3/1971 Weiss .
3,713,438 1/1973 Knutsen .
3,759,511 9/1973 Zinkin et al. .
3,824,994 7/1974 Soderberg, Sr. .
4,023,795 5/1977 Pauls .
4,053,173 10/1977 Chase, Sr. .
4,185,622 1/1980 Swenson .
4,188,030 2/1980 Hooper .
4,379,566 4/1983 Titcomb .
4,456,276 6/1984 Bortolin .
4,505,473 3/1985 Pro .
4,509,742 4/1985 Cones .

FOREIGN PATENT DOCUMENTS

2919494 11/1980 Germany .
0206208 7/1937 Switzerland .
1600816 10/1990 U.S.S.R. .

Primary Examiner—Philip S. Hyder
Attorney, Agent, or Firm—Christensen O'Connor Johnson
& Kindness PLLC

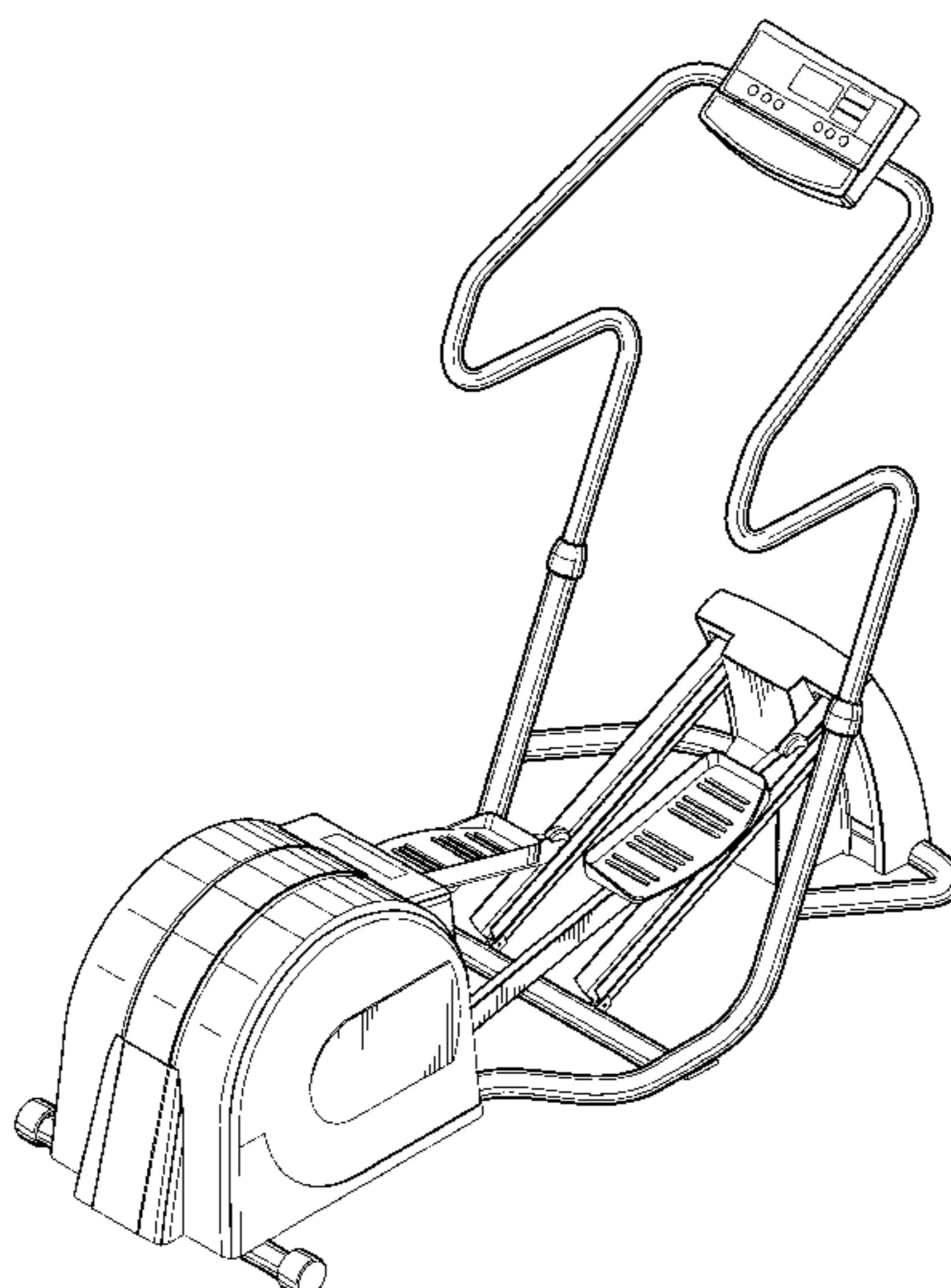
[57] **CLAIM**

The ornamental design for a cross training exerciser, as shown and described.

DESCRIPTION

FIG. 1 is a rear perspective of the cross training exerciser showing our new design;
FIG. 2 is a side elevational view thereof;
FIG. 3 is a front elevational view thereof;
FIG. 4 is a rear elevational view thereof;
FIG. 5 is a top view thereof; and,
FIG. 6 is a bottom view thereof.

1 Claim, 4 Drawing Sheets



Des. 410,978

Page 2

U.S. PATENT DOCUMENTS					
			5,499,956	3/1996	Habing et al. .
			5,518,473	5/1996	Miller 482/52
5,295,928	3/1994	Rennex .	5,527,246	6/1996	Rodgers, Jr. .
5,299,993	4/1994	Habing .	5,529,554	6/1996	Eschenbach .
5,352,169	10/1994	Eschenbach .	5,540,637	7/1996	Rodgers, Jr. .
5,383,829	1/1995	Miller 482/51	5,549,526	8/1996	Rodgers, Jr. .
5,401,226	3/1995	Stearns .	5,562,574	10/1996	Miller 482/52
5,403,255	4/1995	Johnston .	5,577,985	11/1996	Miller 482/52
5,423,729	6/1995	Eschenbach .	5,593,372	1/1997	Rodgers, Jr. 482/52

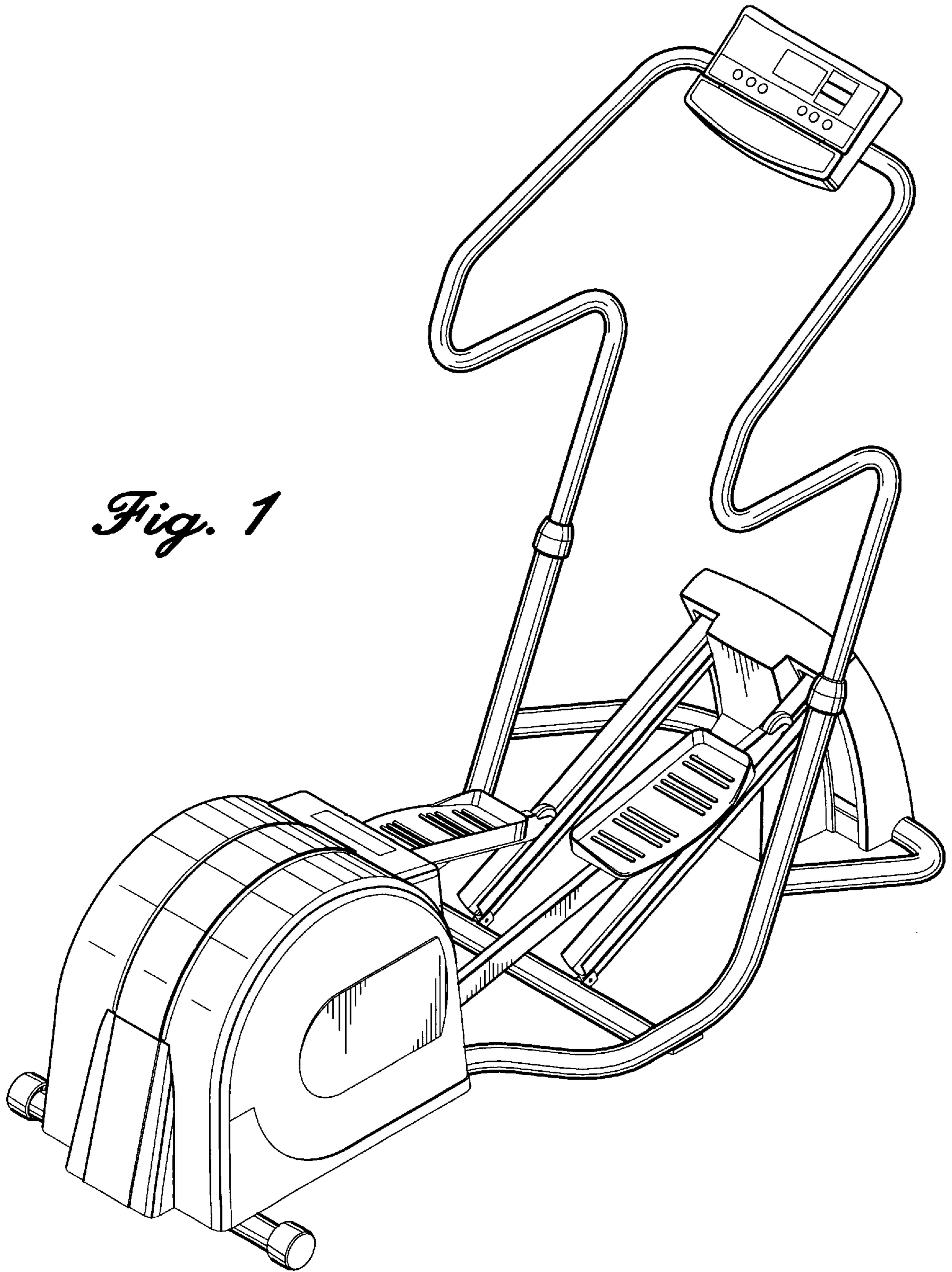


Fig. 1

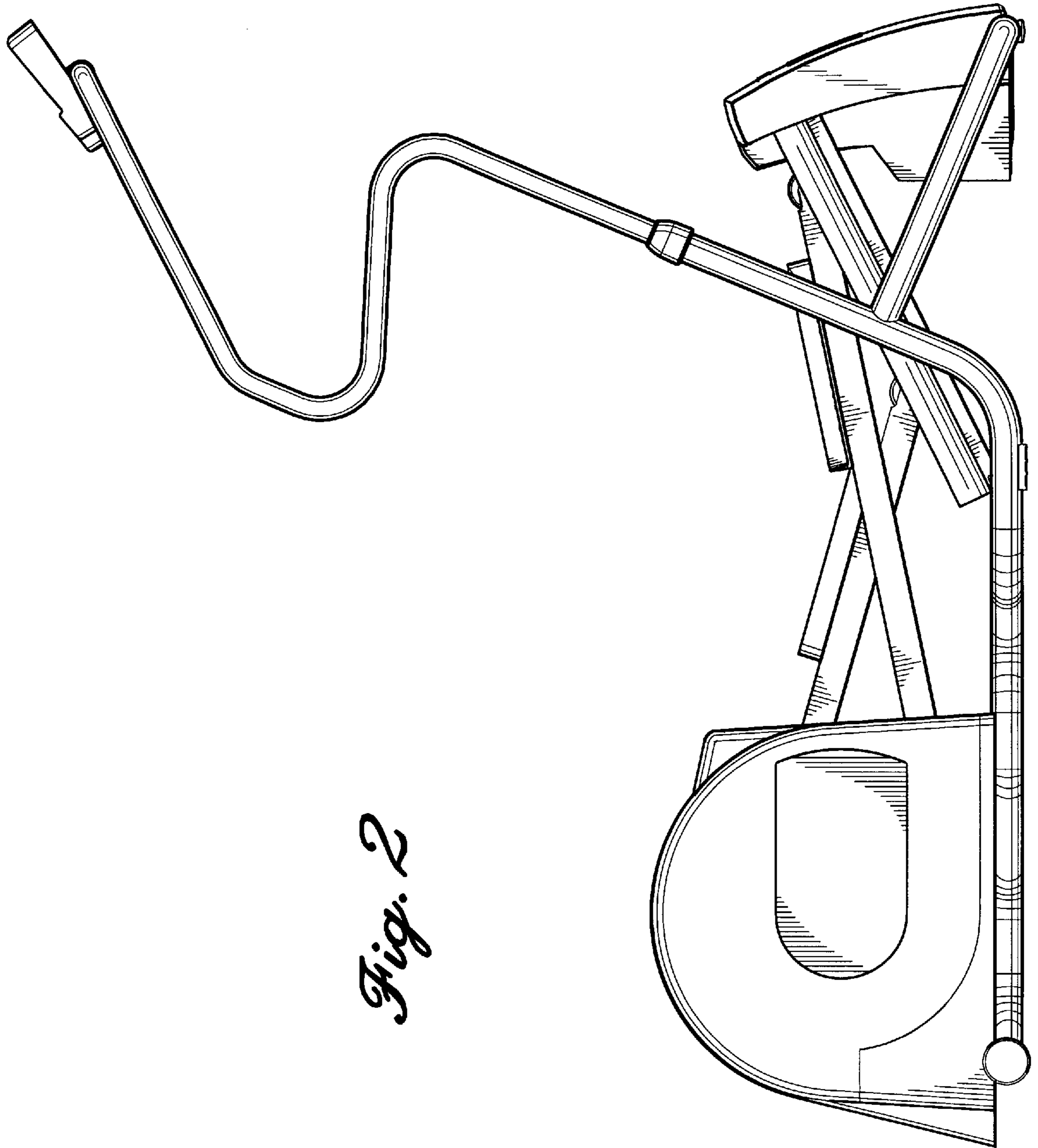


Fig. 2

Fig. 4

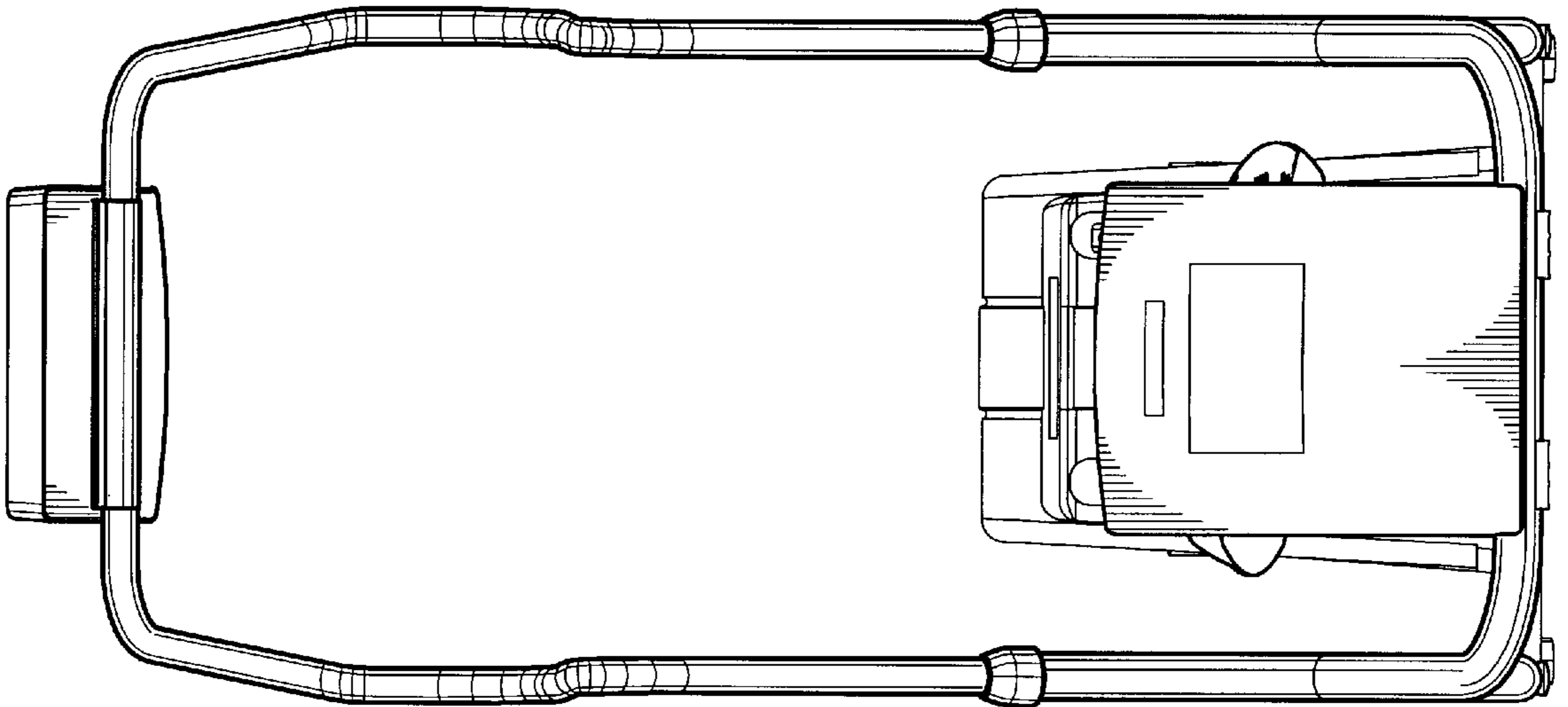
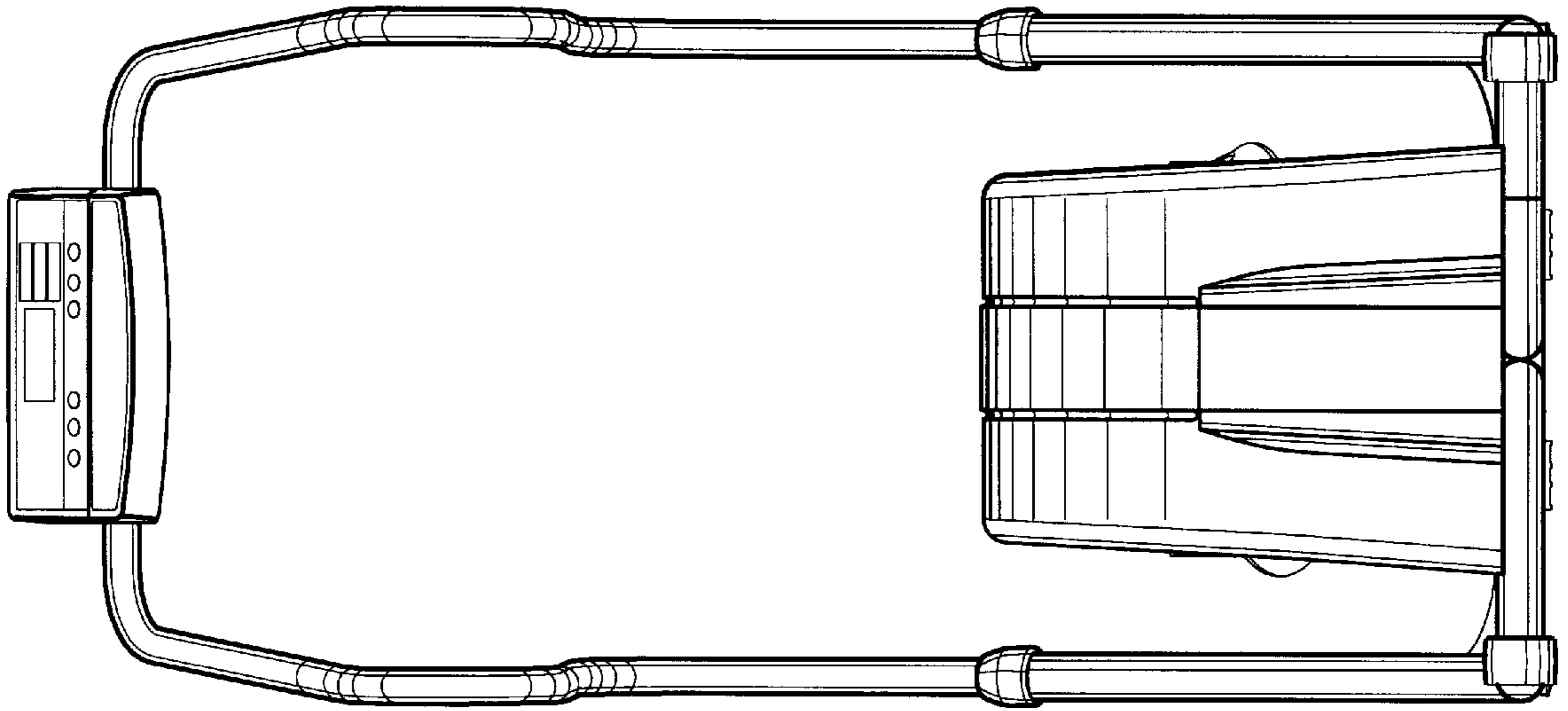


Fig. 3

Fig. 6

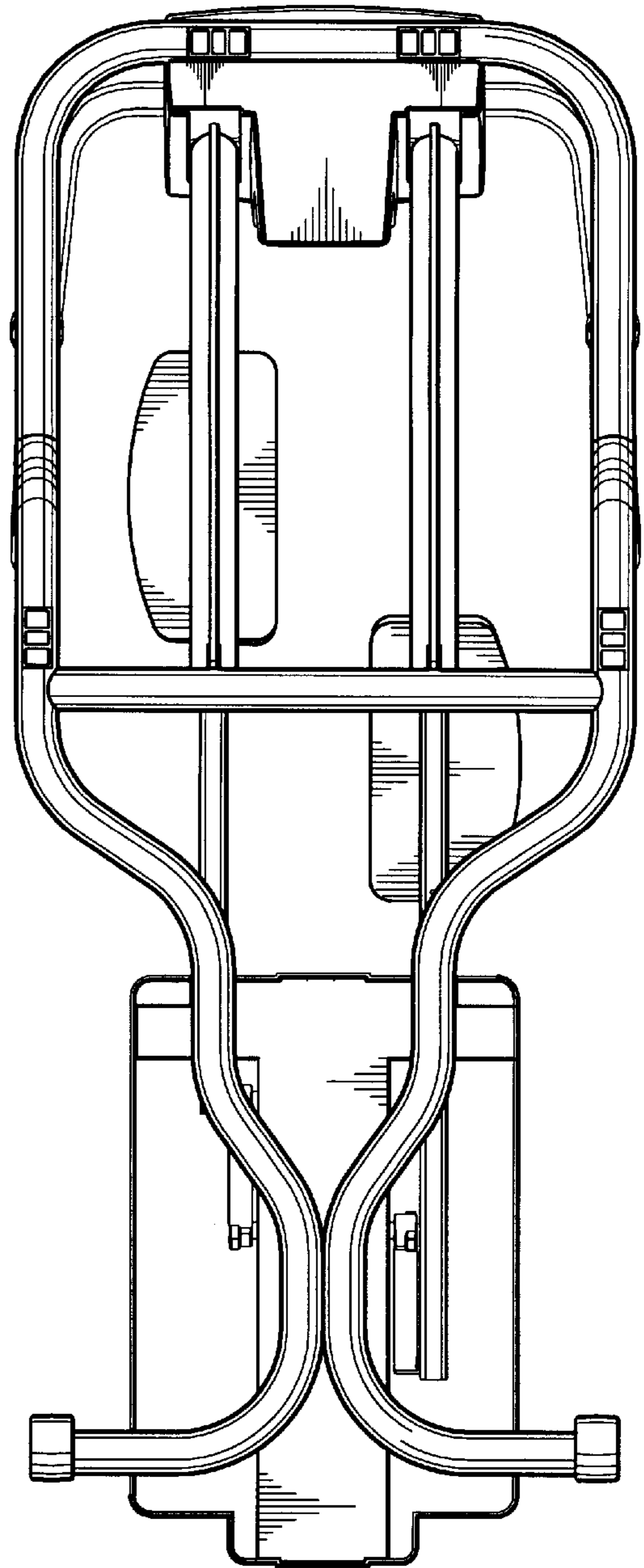
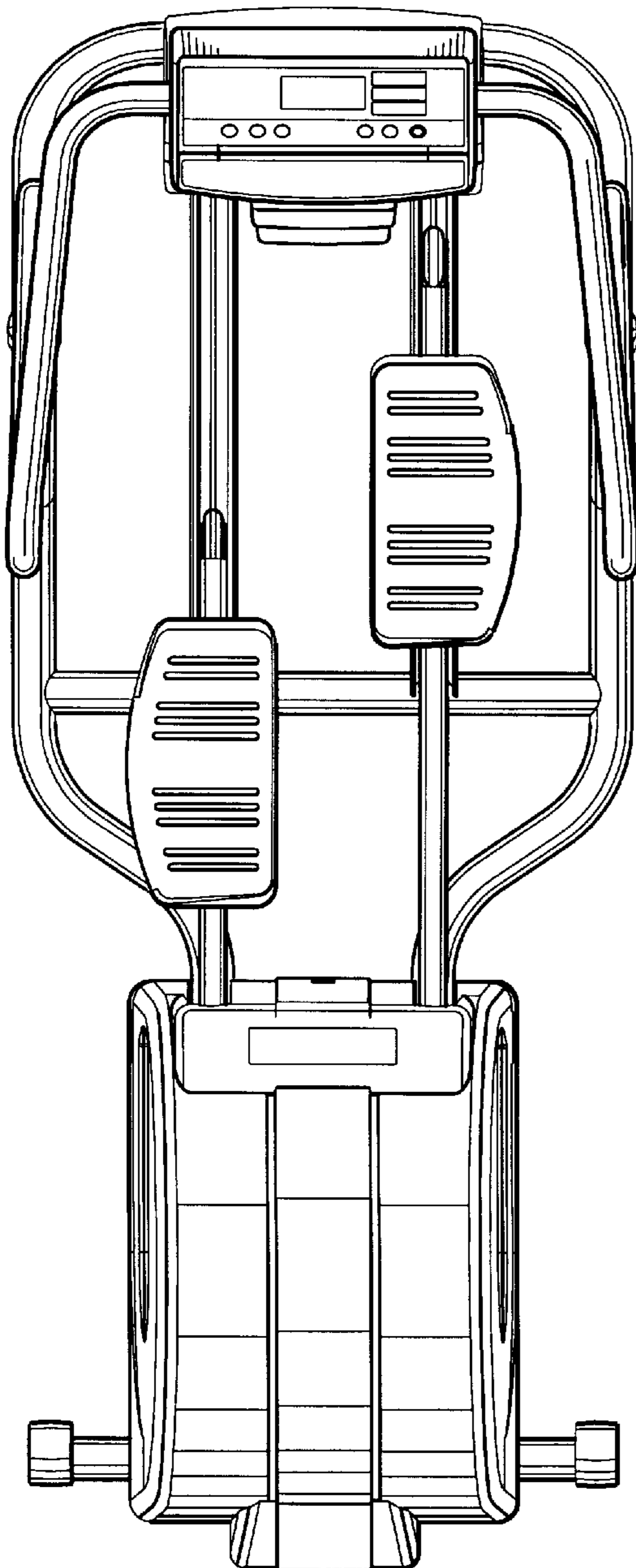


Fig. 5