



US00D410976S

United States Patent [19]
Poulsen

[11] **Patent Number: Des. 410,976**

[45] **Date of Patent: ** Jun. 15, 1999**

[54] **TOY BUILDING ELEMENT**

[75] Inventor: **Ole Vestergaard Poulsen**, Vejle,
Denmark

[73] Assignee: **INTERLEGO AG**, Baar, Switzerland

[**] Term: **14 Years**

[21] Appl. No.: **29/093,735**

[22] Filed: **Sep. 17, 1998**

[30] **Foreign Application Priority Data**

Mar. 18, 1998 [DK] Denmark MA 1998 297

[51] **LOC (6) Cl.** **21-01**

[52] **U.S. Cl.** **D21/502; D21/489**

[58] **Field of Search** D21/483-505;
D25/113-118; 446/85, 93-96, 102-108,
110-113, 120-122, 124, 128

[56] **References Cited**

U.S. PATENT DOCUMENTS

D. 347,257 5/1994 Schmidt et al. D21/486

D. 353,639 12/1994 Ryaa et al. D21/491
D. 357,512 4/1995 Ishikawa D21/491
D. 374,465 10/1996 Schmidt D21/486
1,355,975 10/1920 Hornby D21/484

Primary Examiner—Raphael Barkai
Attorney, Agent, or Firm—Kane,Dalsimer,Sullivan, Kurucz,
Levy, Eisele and Richard, LLP

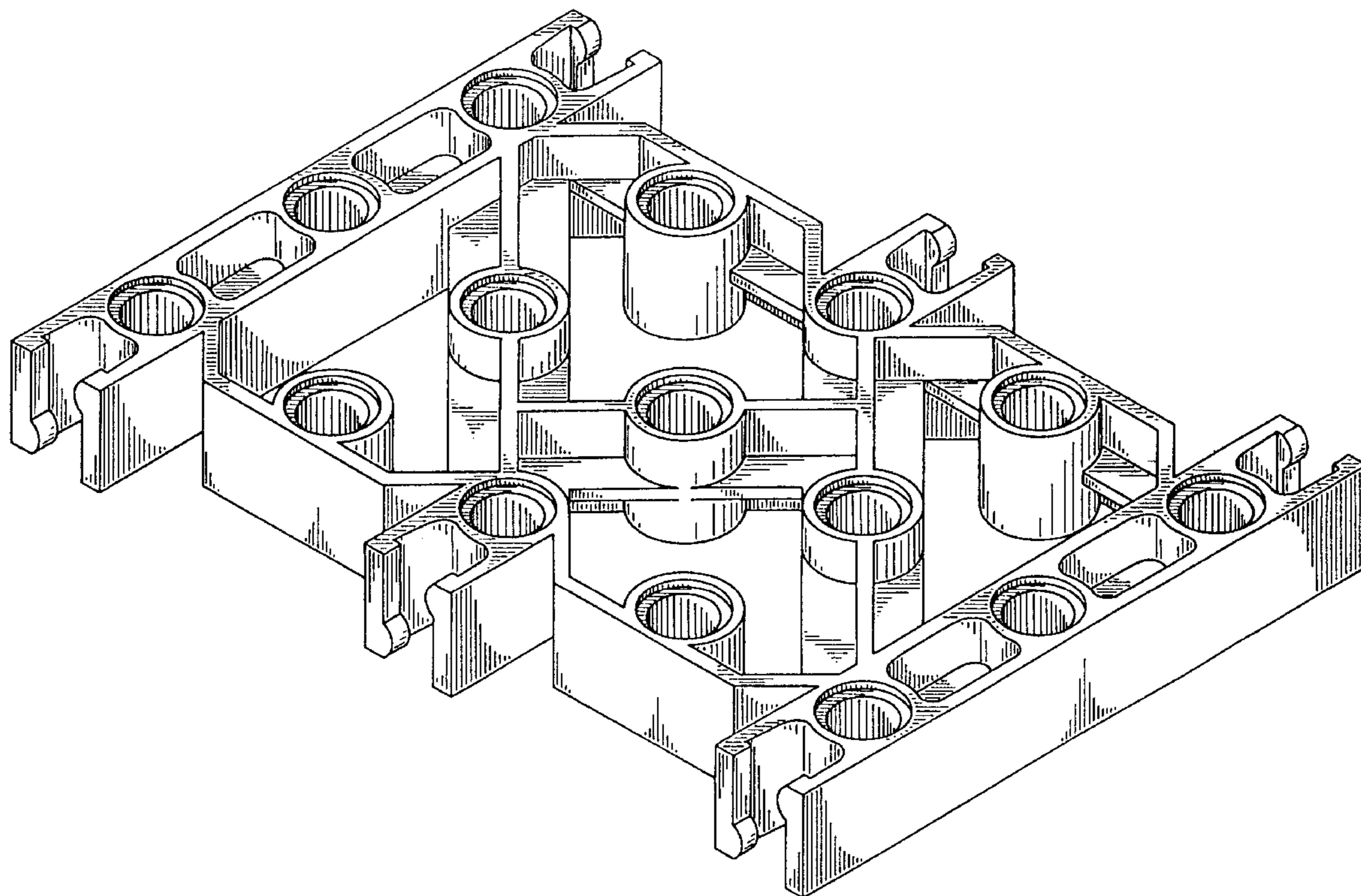
[57] **CLAIM**

The ornamental design for a toy building element, as shown and described.

DESCRIPTION

FIG. 1 is a top perspective view of the toy building element, FIG. 2 is a top plan view thereof, FIG. 3 is a front elevational view thereof, FIG. 4 is a bottom plan view thereof, FIG. 5 is a right side elevational view thereof, FIG. 6 is a left side elevational view thereof, FIG. 7 is a rear elevational view thereof; and, FIG. 8 is a bottom perspective view thereof.

1 Claim, 4 Drawing Sheets



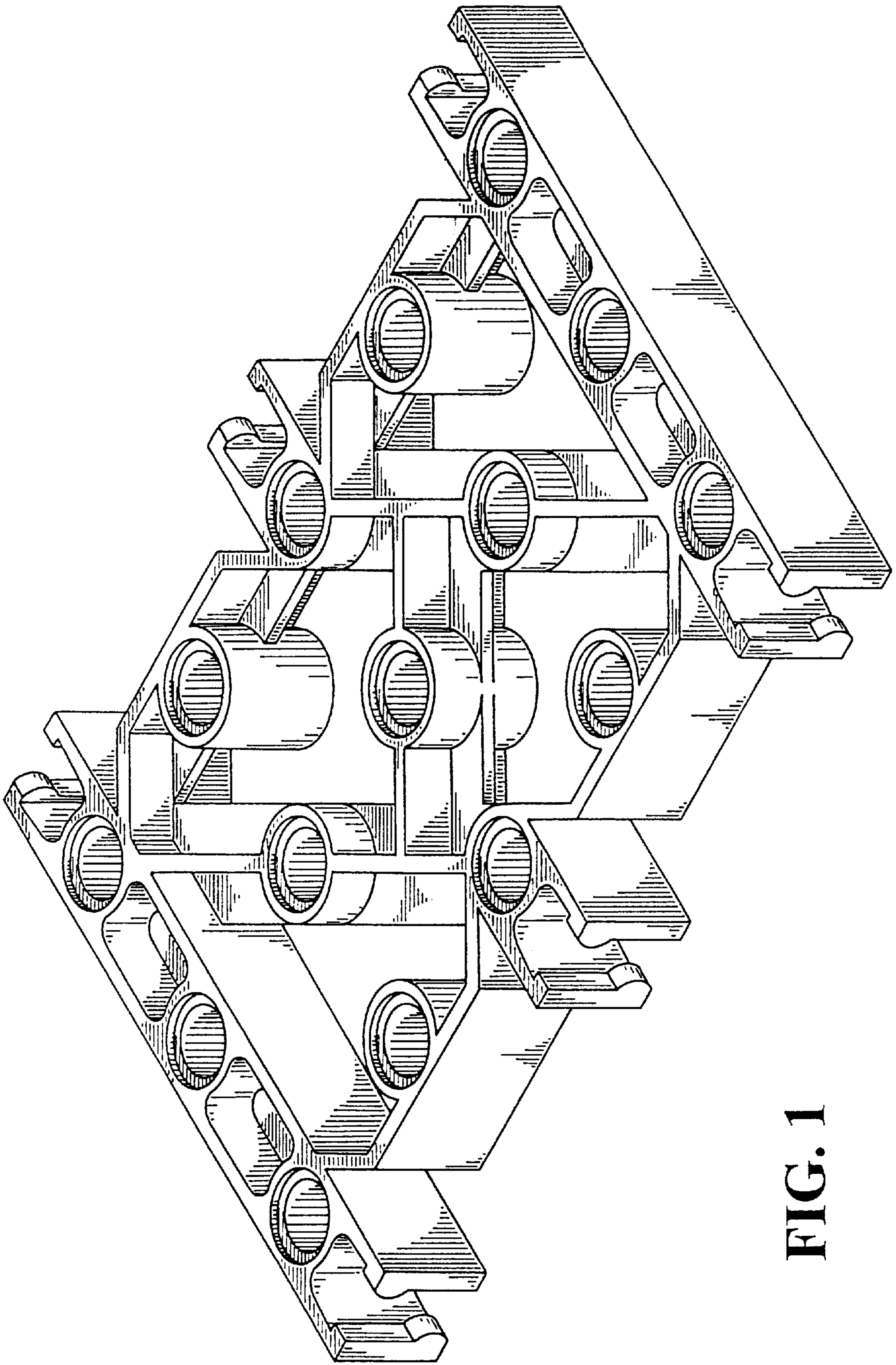


FIG. 1

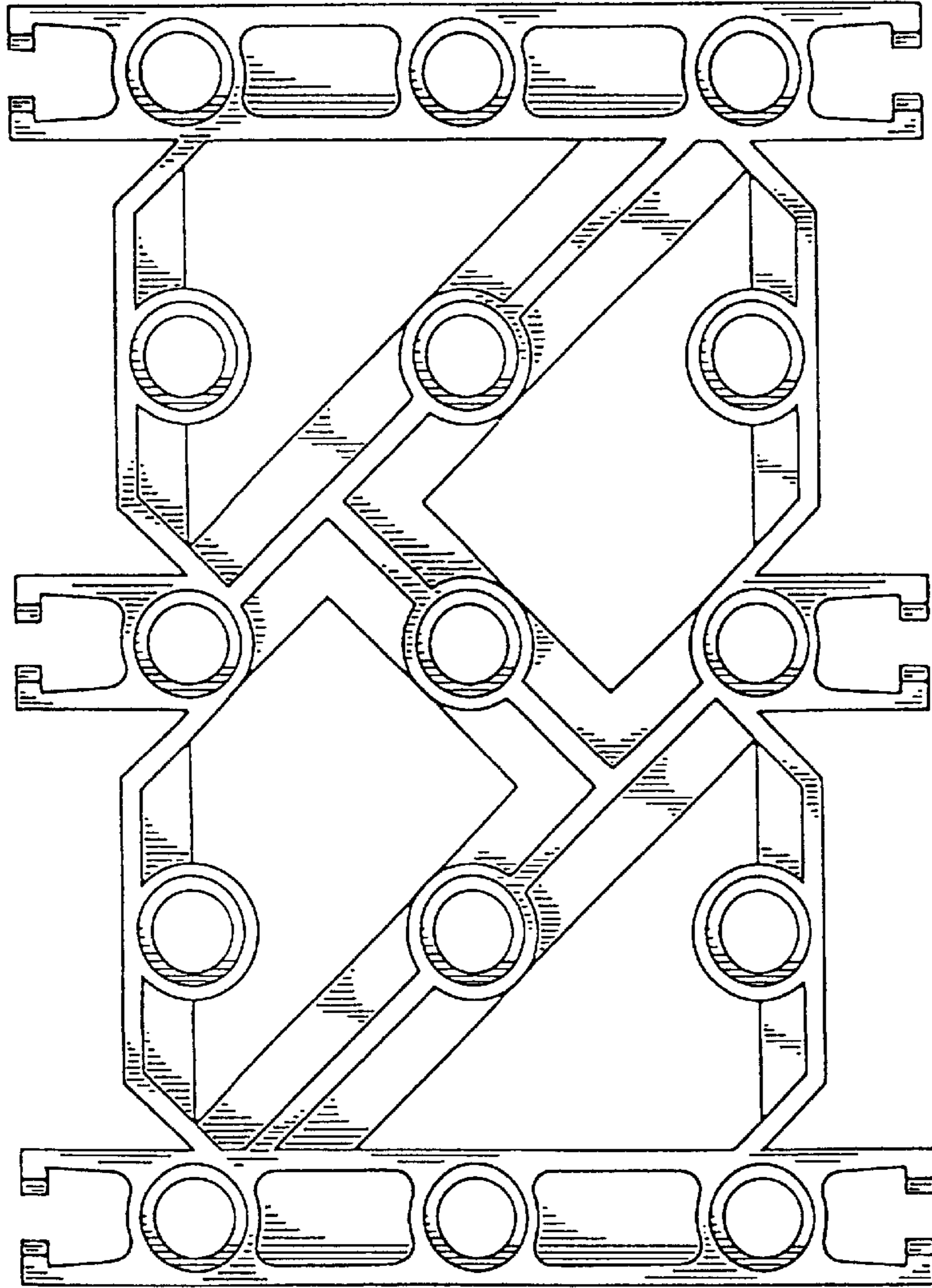


FIG. 2

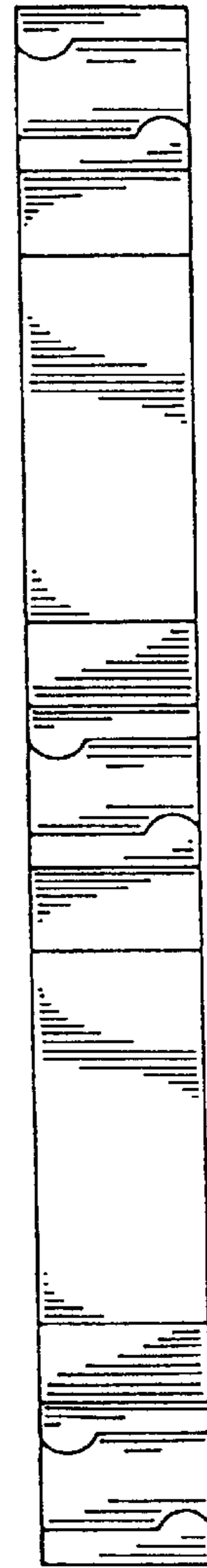


FIG. 3

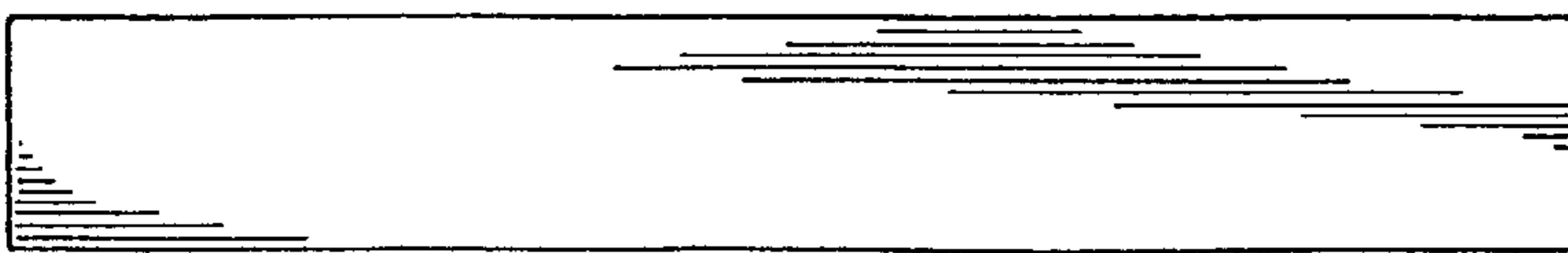


FIG. 6



FIG. 7

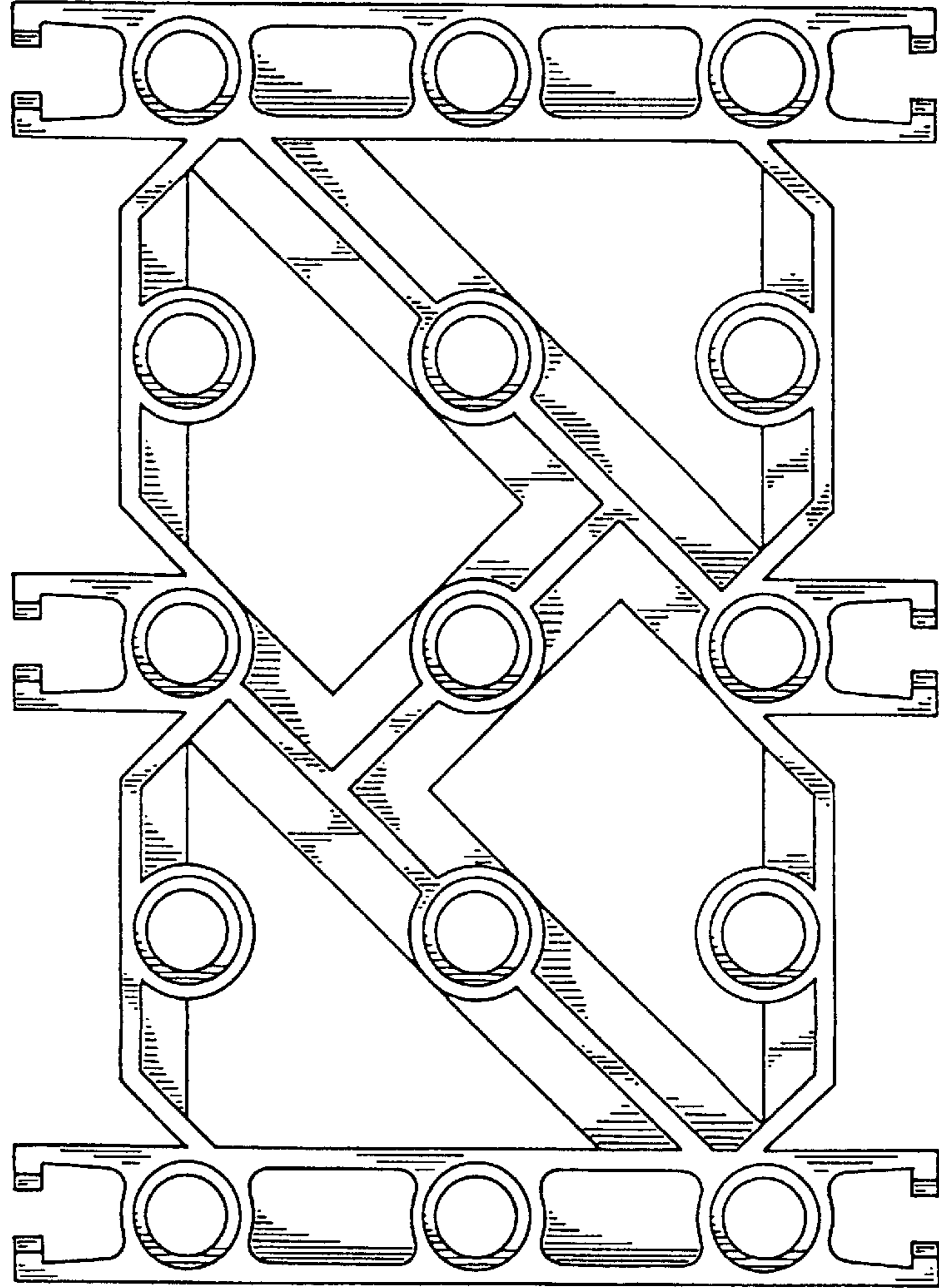


FIG. 4

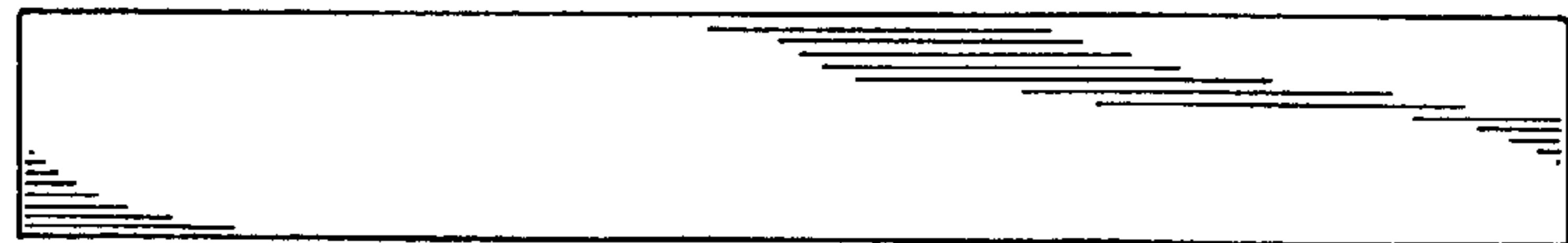


FIG. 5

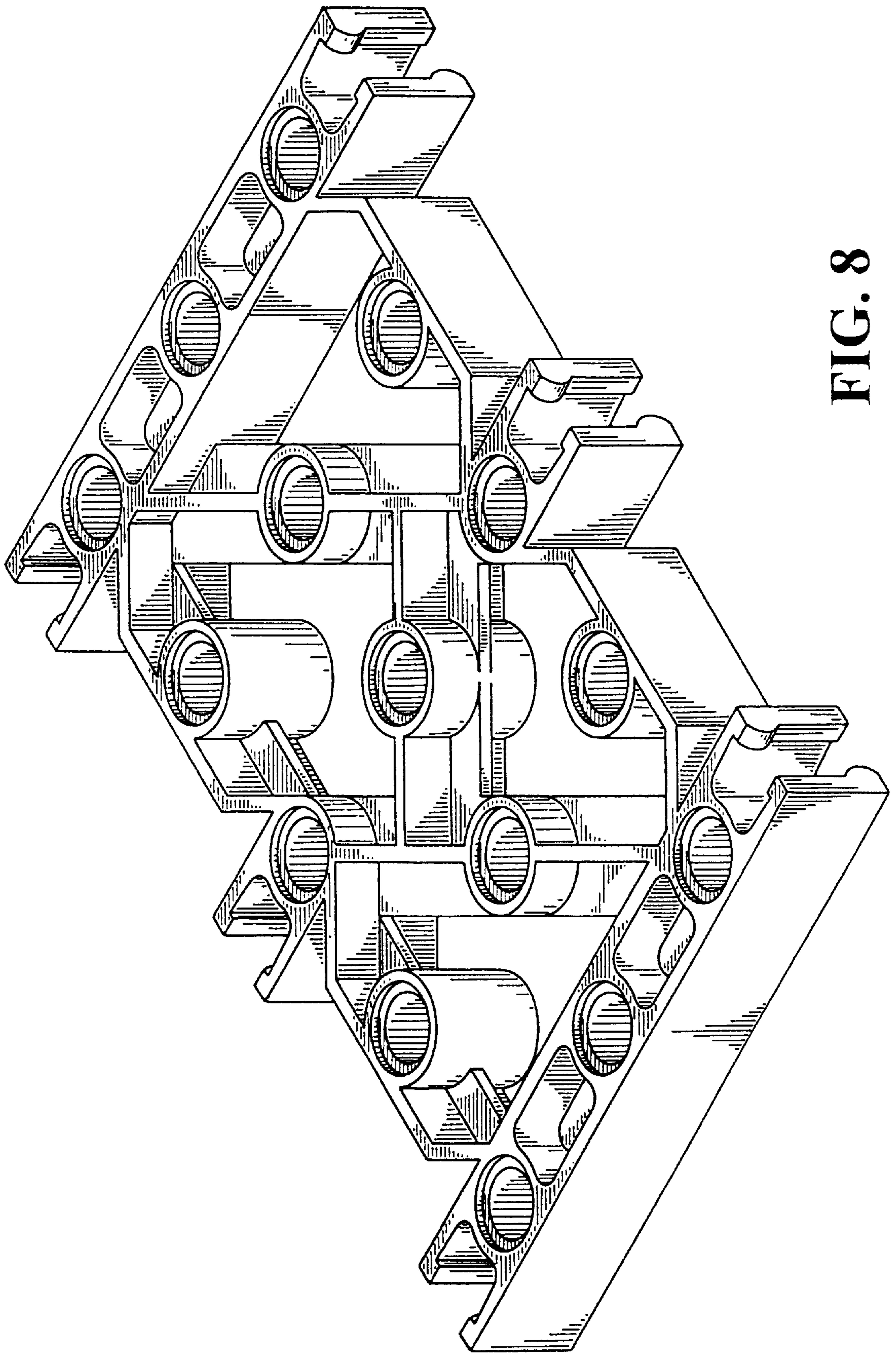


FIG. 8