



US00D410973S

United States Patent [19] Jensen

[11] **Patent Number: Des. 410,973**
[45] **Date of Patent: ** Jun. 15, 1999**

[54] **TOY BUILDING ELEMENT**

[75] Inventor: **Jens Laulund Jensen**, Billund,
Denmark

[73] Assignee: **INTERLEGO AG**, Baar, Switzerland

[**] Term: **14 Years**

[21] Appl. No.: **29/093,743**

[22] Filed: **Sep. 17, 1998**

[30] **Foreign Application Priority Data**

Mar. 18, 1998 [DK] Denmark MA 297 1998

[51] **LOC (6) Cl.** **21-01**

[52] **U.S. Cl.** **D21/486; D21/504**

[58] **Field of Search** D21/483-505;
D25/113-118; 446/85, 93-96, 102-107,
110-113, 120-122, 124, 128; 52/592.1,
604, 606, 607

[56] **References Cited**

U.S. PATENT DOCUMENTS

- D. 159,255 7/1950 Decker, Sr. et al. D25/114
- D. 304,221 10/1989 Poulsen .
- D. 317,955 7/1991 Olsen D21/502
- D. 355,454 2/1995 Glynn D21/486
- D. 374,257 10/1996 Schmidt et al. D21/486

- D. 374,465 10/1996 Schmidt D21/486
- 3,611,609 10/1971 Reijnhard 446/128
- 4,547,160 10/1985 Labelle 446/103
- 4,690,656 9/1987 Friedman 446/95
- 4,998,903 3/1991 Bolli et al. 446/121
- 5,645,463 7/1997 Olsen 446/104

OTHER PUBLICATIONS

Lego Catalog, p. 43 #5202, Jan. 1997.

Primary Examiner—Raphael Barkai
Attorney, Agent, or Firm—Kane,Dalsimer,Sullivan, Kurucz,
Levy, Eisele and Richard, LLP

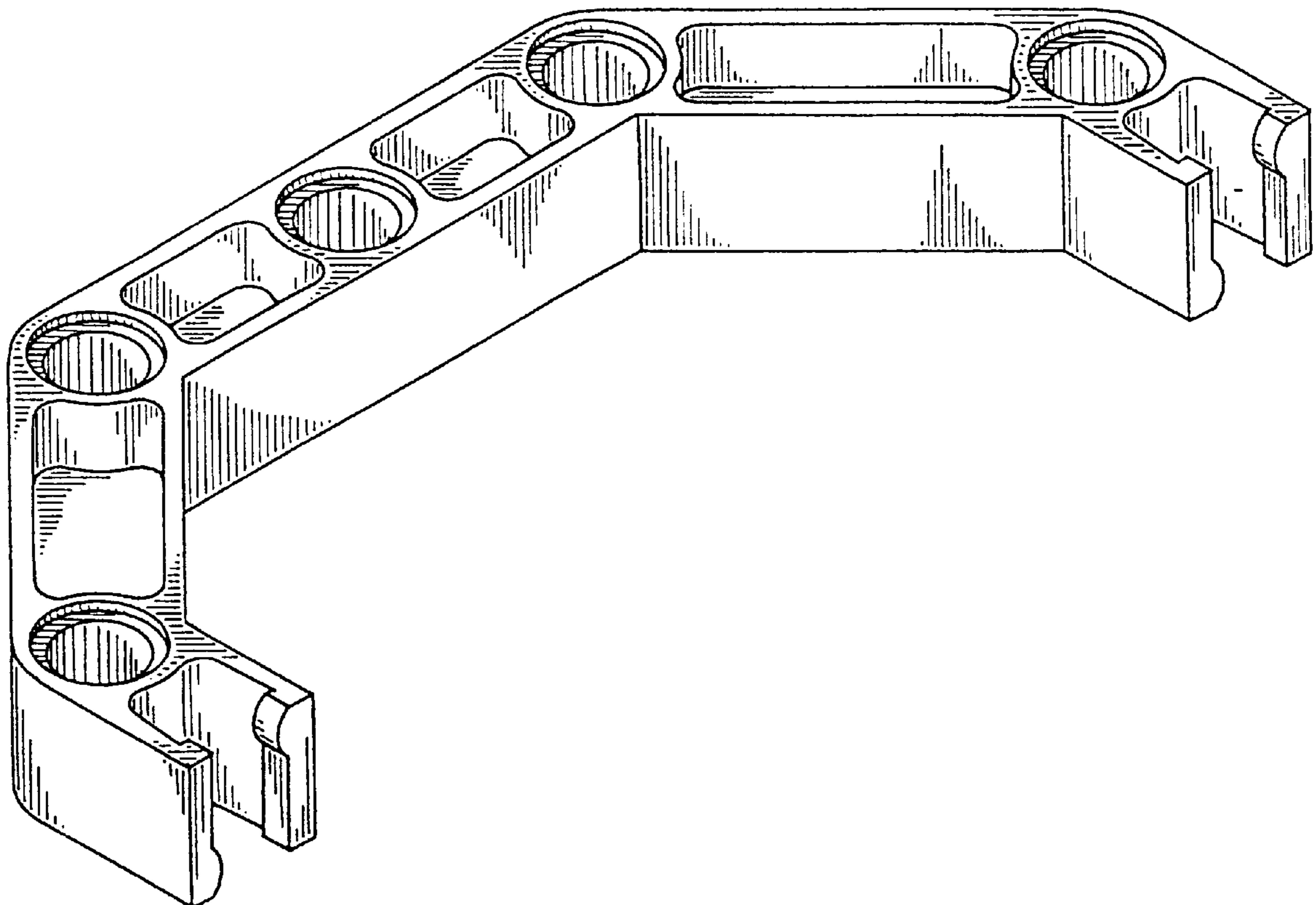
[57] **CLAIM**

The ornamental design for a toy building element, as shown and described.

DESCRIPTION

FIG. 1 is a top perspective view of the toy building element, FIG. 2 is a top plan view thereof, FIG. 3 is a front elevational view thereof, FIG. 4 is a bottom plan view thereof, FIG. 5 is a right side elevational view thereof, FIG. 6 is a left side elevational view thereof, FIG. 7 is a rear elevational view thereof; and, FIG. 8 is a bottom perspective view thereof.

1 Claim, 3 Drawing Sheets



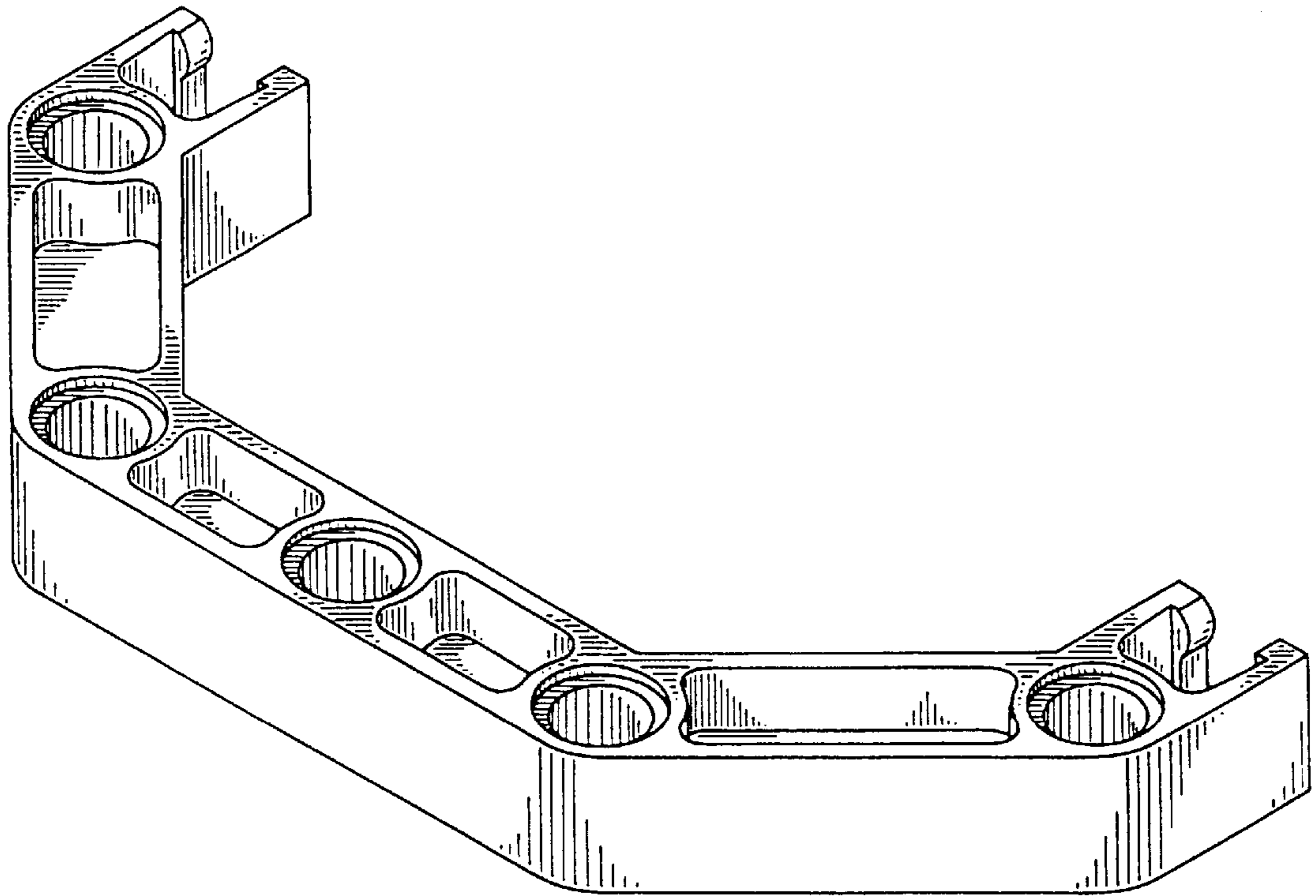


FIG. 8

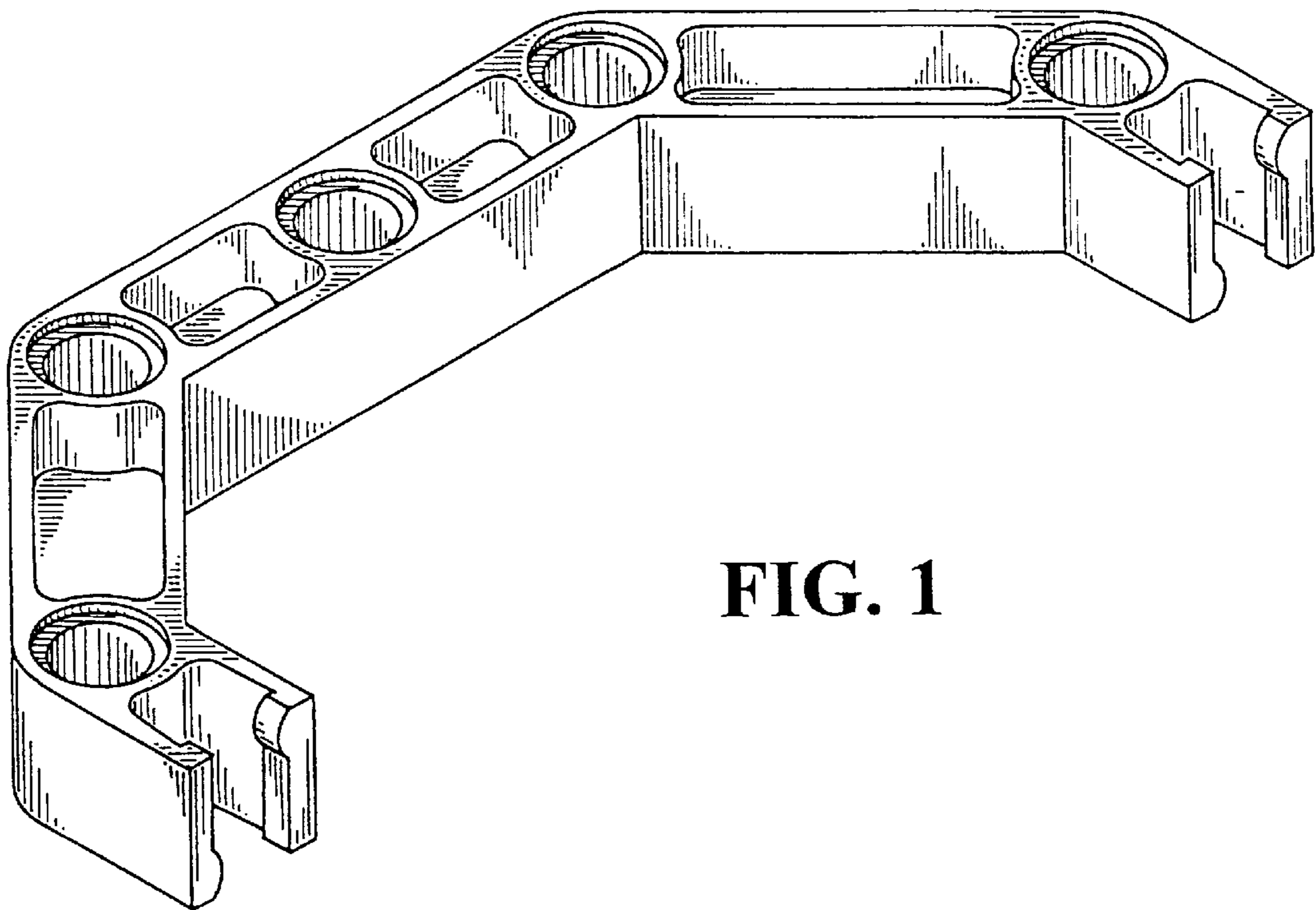


FIG. 1

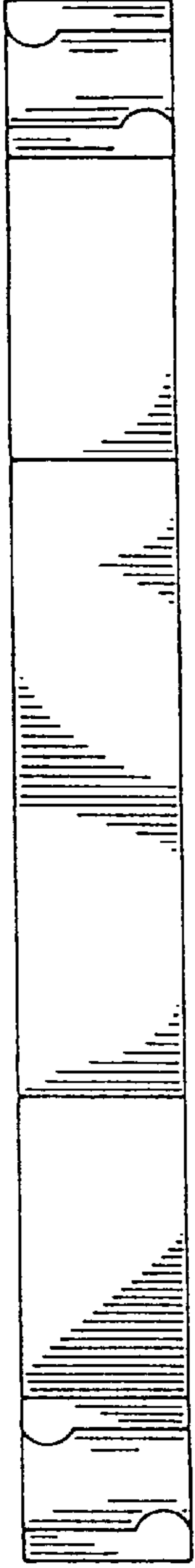


FIG. 3

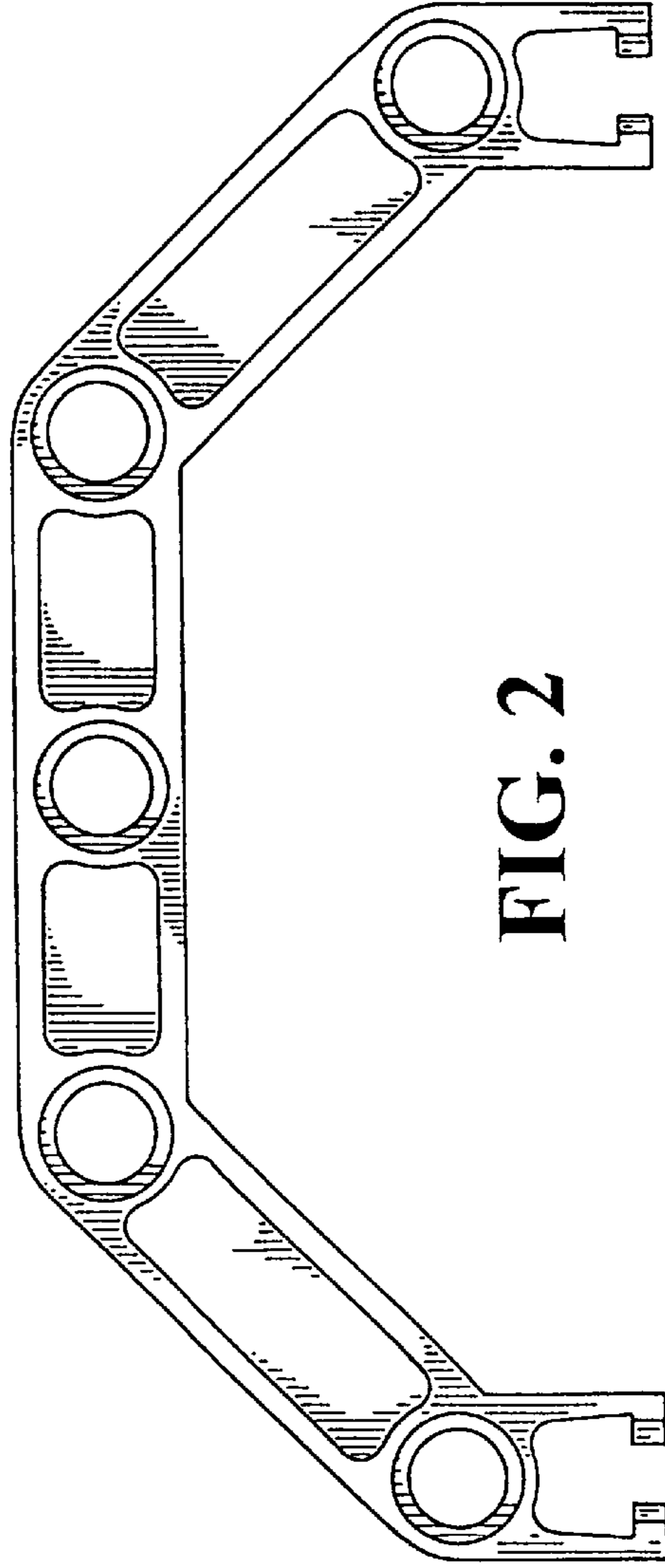


FIG. 2



FIG. 5

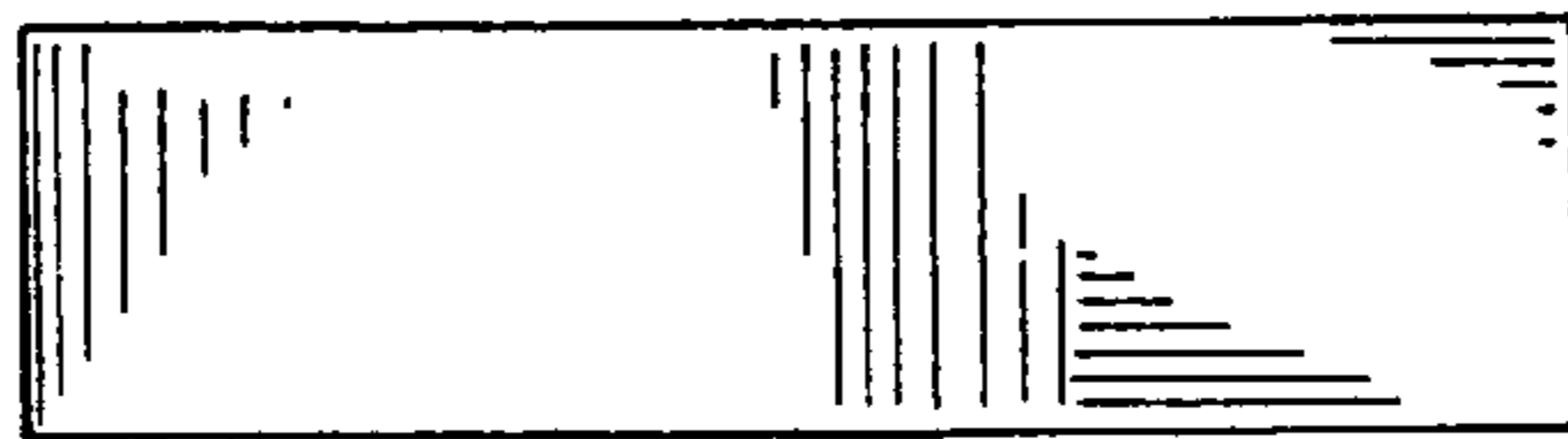


FIG. 6

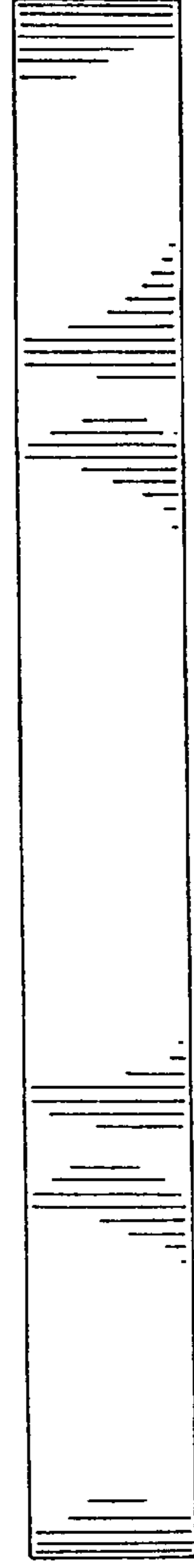


FIG. 7

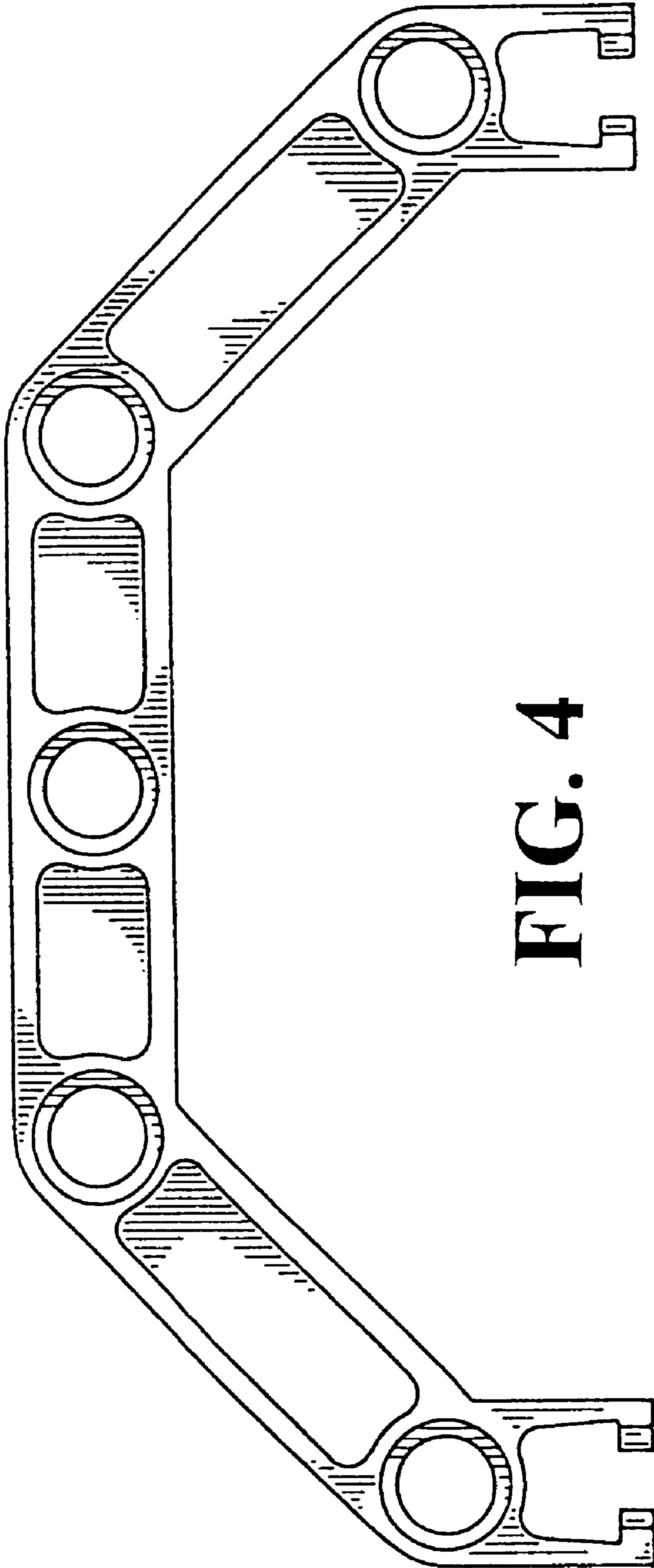


FIG. 4