



US00D410972S

# United States Patent [19]

[11] Patent Number: **Des. 410,972**

Sosoka, Jr. et al.

[45] Date of Patent: **\*\* Jun. 15, 1999**

[54] **MUSIC BLOCKS**

[75] Inventors: **John R. Sosoka, Jr.**, Long Beach;  
**Brooke Abercrombie**, Redondo Beach;  
**Brad Emerson**, Costa Mesa; **Adam Gerstein**, Hermosa Beach, all of Calif.

[73] Assignee: **Neurosmith**, Long Beach, Calif.

[\*\*] Term: **14 Years**

[21] Appl. No.: **29/083,323**

[22] Filed: **Feb. 6, 1998**

[51] **LOC (6) Cl.** ..... **21-01**

[52] **U.S. Cl.** ..... **D21/405**

[58] **Field of Search** ..... D21/398, 405,  
D21/409, 470; D19/60; D17/1; 434/159,  
343

## [56] References Cited

### U.S. PATENT DOCUMENTS

D. 197,178	12/1963	Menche	.....	D19/60
D. 248,584	7/1978	Snyder	.....	D21/470
D. 322,640	12/1991	Biliings	.....	D21/409
D. 337,771	7/1993	Leung	.....	D21/405
D. 355,923	2/1995	Slater	.....	D17/1
D. 370,027	5/1996	Wood	.	
D. 370,235	5/1996	Wood	.	
D. 370,498	6/1996	Kelly	.....	D19/60
4,203,344	5/1980	Krosnick	.	
4,280,809	7/1981	Greenberg et al.	.	
4,464,124	8/1984	Romero et al.	.	
4,637,799	1/1987	Bouchal	.	
4,651,613	3/1987	Harrison	.	
4,690,645	9/1987	Ukisu	.	
4,819,539	4/1989	Searing	.	
4,836,075	6/1989	Armstrong	.	
4,854,879	8/1989	Chang	.	
4,889,027	12/1989	Yokoi	.	
4,936,185	6/1990	Yamaguchi et al.	.	
4,950,165	8/1990	Machaalani	.	
4,980,919	12/1990	Tsai	.	
5,122,952	6/1992	Minkus	.	
5,127,869	7/1992	Hanzawa	.	
5,188,533	2/1993	Wood	.	

5,368,308	11/1994	Darnell	.
5,429,513	7/1995	Diaz-Plaja	.
5,478,268	12/1995	Au	.
5,511,980	4/1996	Wood	.
5,569,867	10/1996	Levine	.
5,571,020	11/1996	Troudet	.
5,595,489	1/1997	Kwon	.
5,632,375	5/1997	Mattikow	.

*Primary Examiner*—Dominic Simone  
*Attorney, Agent, or Firm*—Knobbe, Martens, Olson & Bear  
LLC

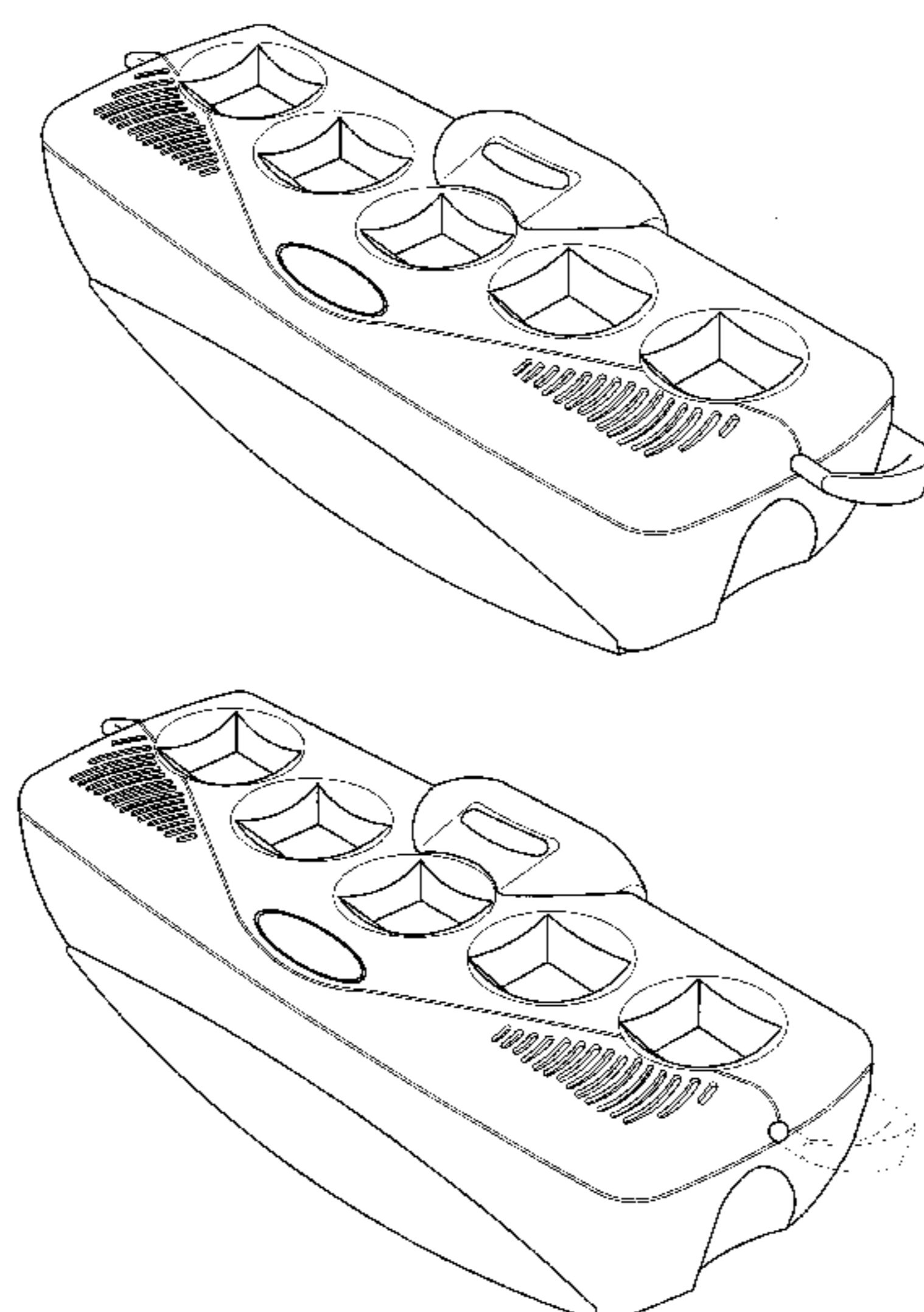
## [57] CLAIM

The ornamental design for music blocks, as shown and described.

## DESCRIPTION

FIG. 1 is a top plan view of music blocks of the present invention;  
 FIG. 2 is a bottom plan view of the invention shown in FIG. 1;  
 FIG. 3 is a front elevational view of the invention shown in FIG. 1;  
 FIG. 4 is a back elevational view of the invention shown in FIG. 1;  
 FIG. 5 is a left side elevational view of the invention shown in FIG. 1, with the right side elevational view being a mirror image;  
 FIG. 6 is a perspective view of the invention shown in FIG. 1;  
 FIG. 7 is a top plan view of another embodiment of the music blocks of the present invention;  
 FIG. 8 is a bottom plan view of the invention shown in FIG. 7;  
 FIG. 9 is a front elevational view of the invention shown in FIG. 7;  
 FIG. 10 is a back elevational view of the invention shown in FIG. 7;  
 FIG. 11 is a left side elevational view of the invention shown in FIG. 7, with the right side elevational view being a mirror image; and,  
 FIG. 12 is a perspective view of the invention shown in FIG. 7.

**1 Claim, 8 Drawing Sheets**



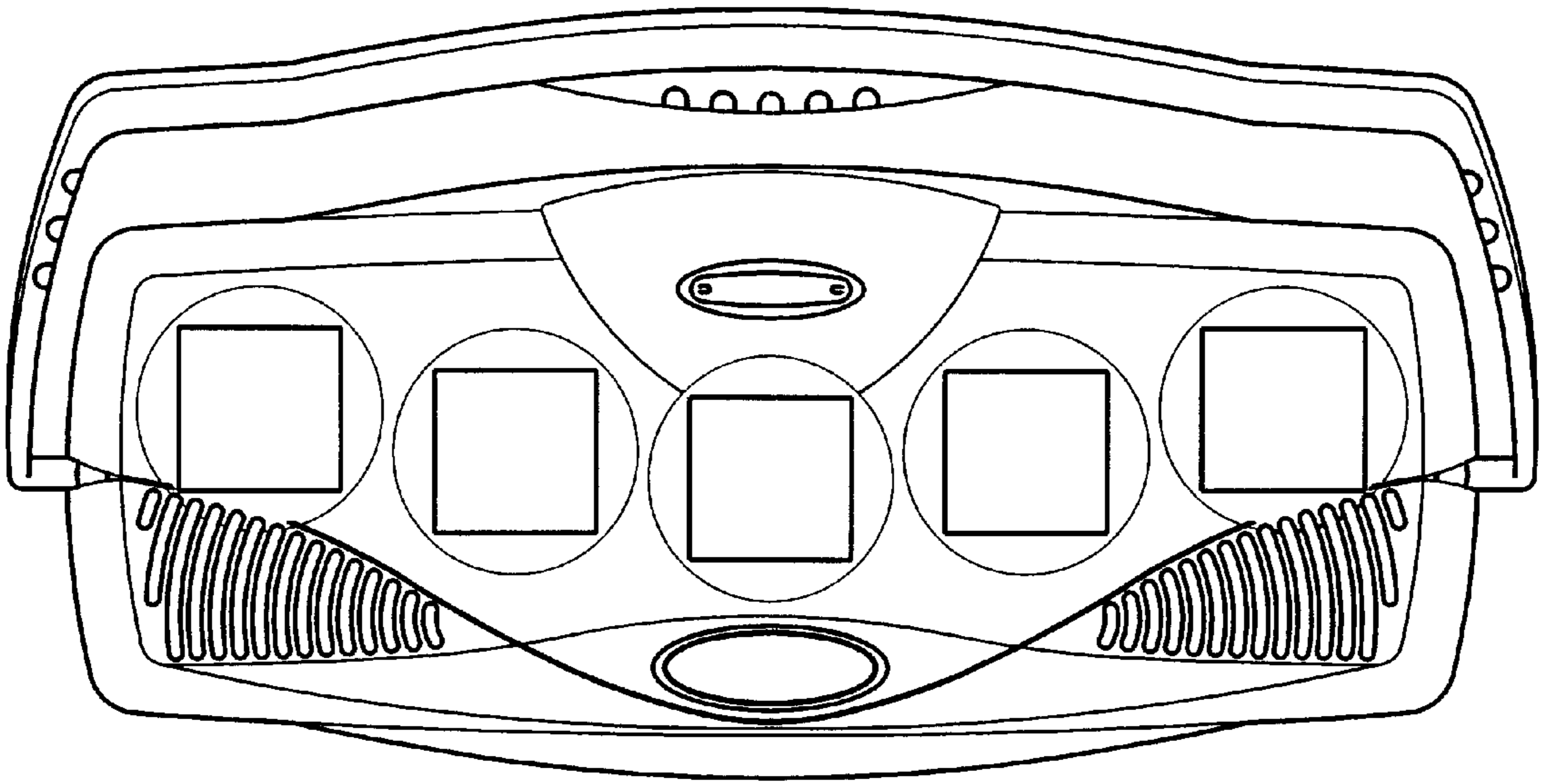


FIG. 1

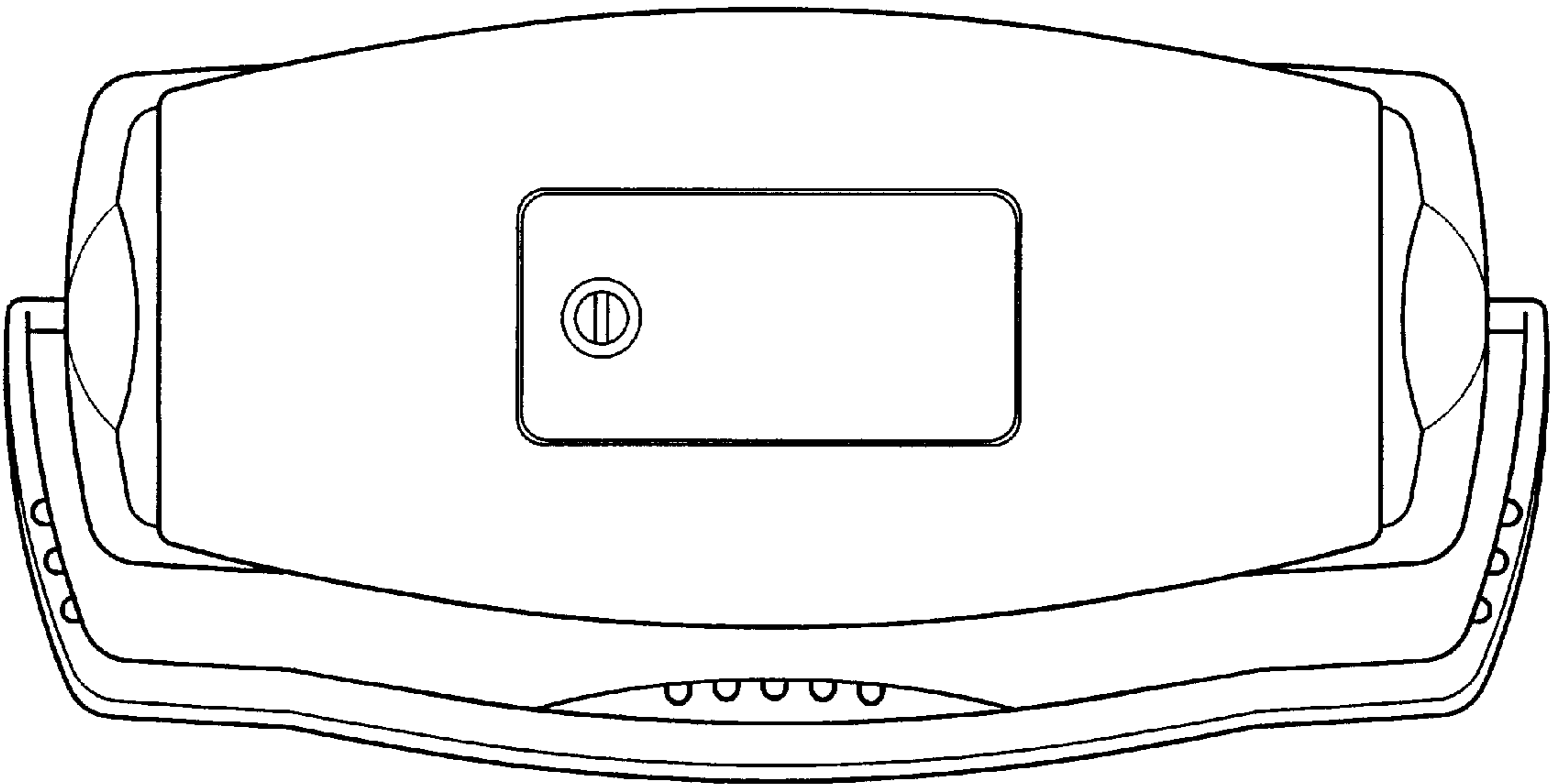
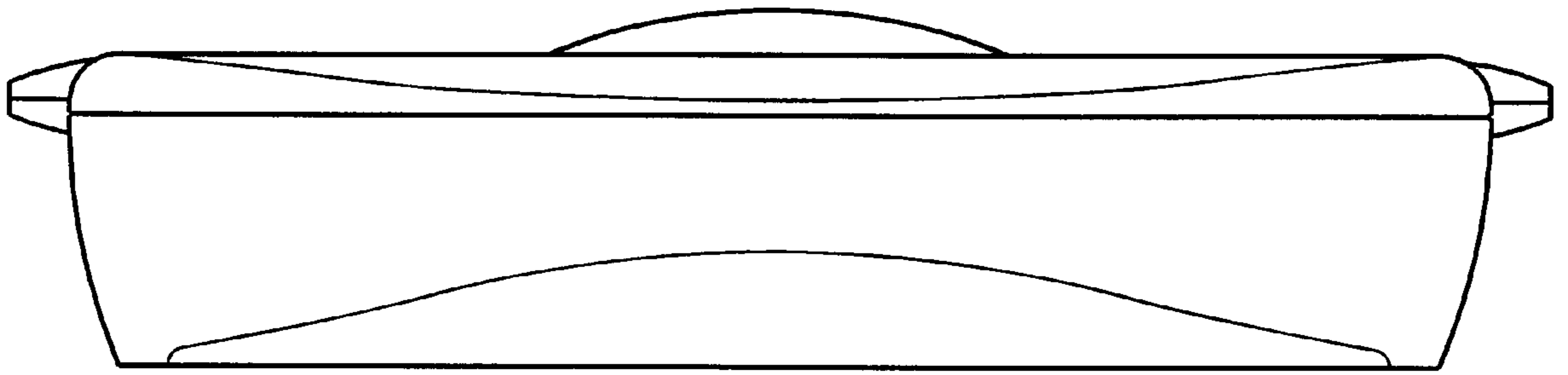
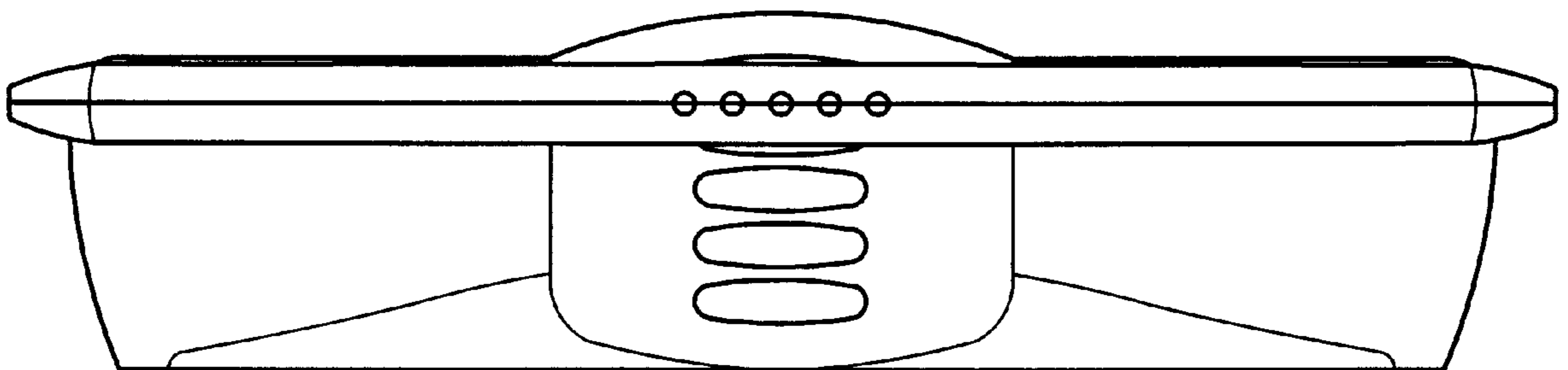


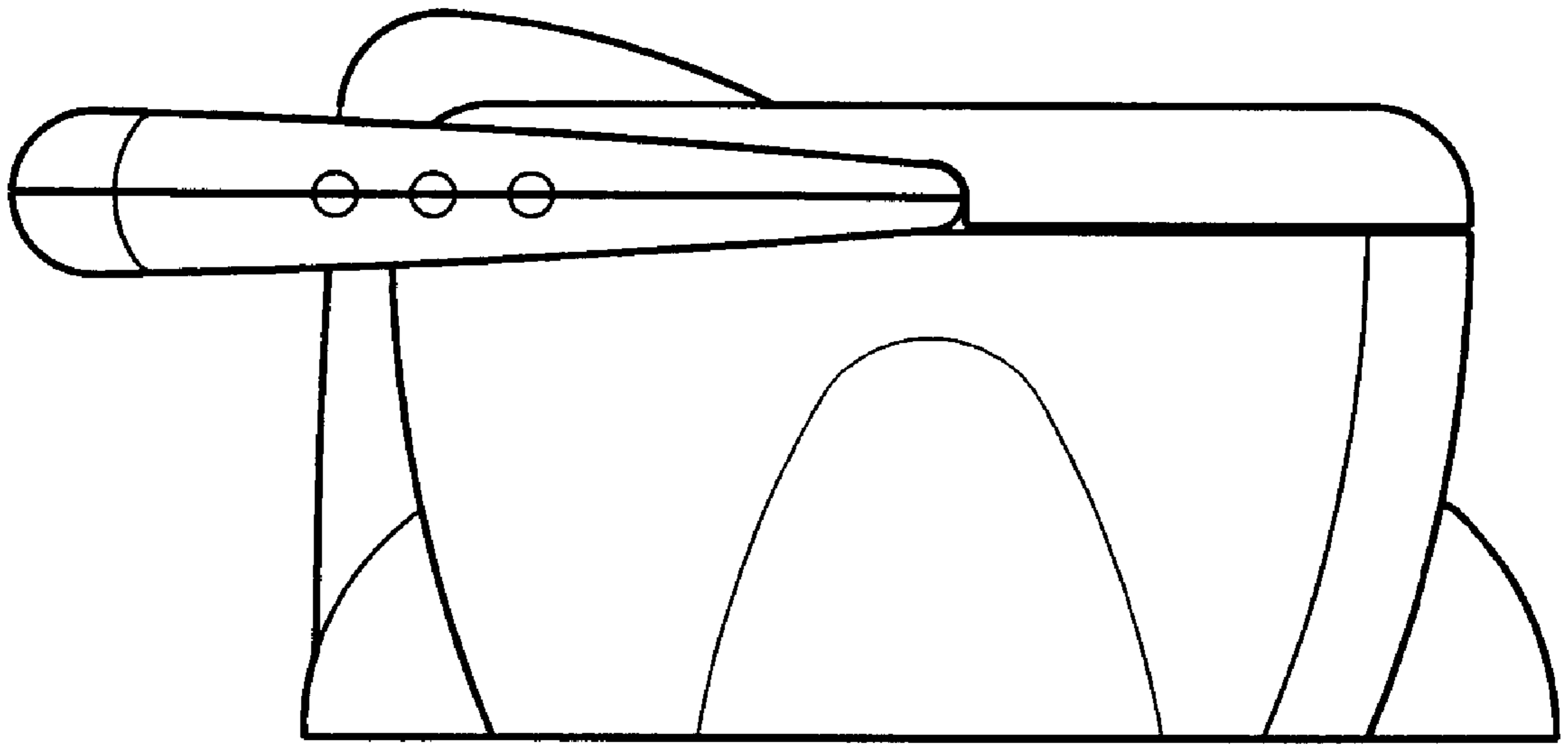
FIG. 2



*FIG. 3*



*FIG. 4*



*FIG. 5*

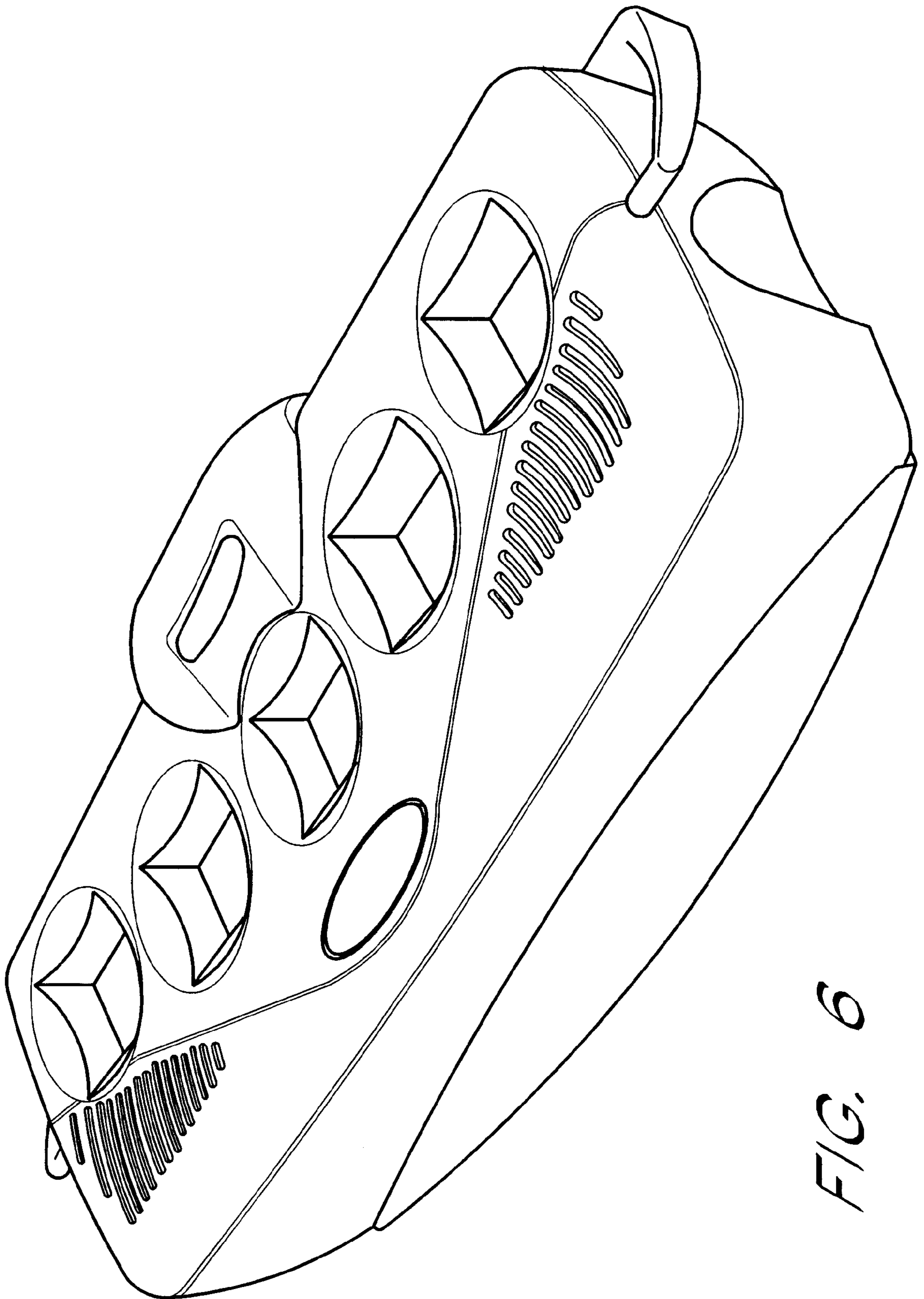


FIG. 6

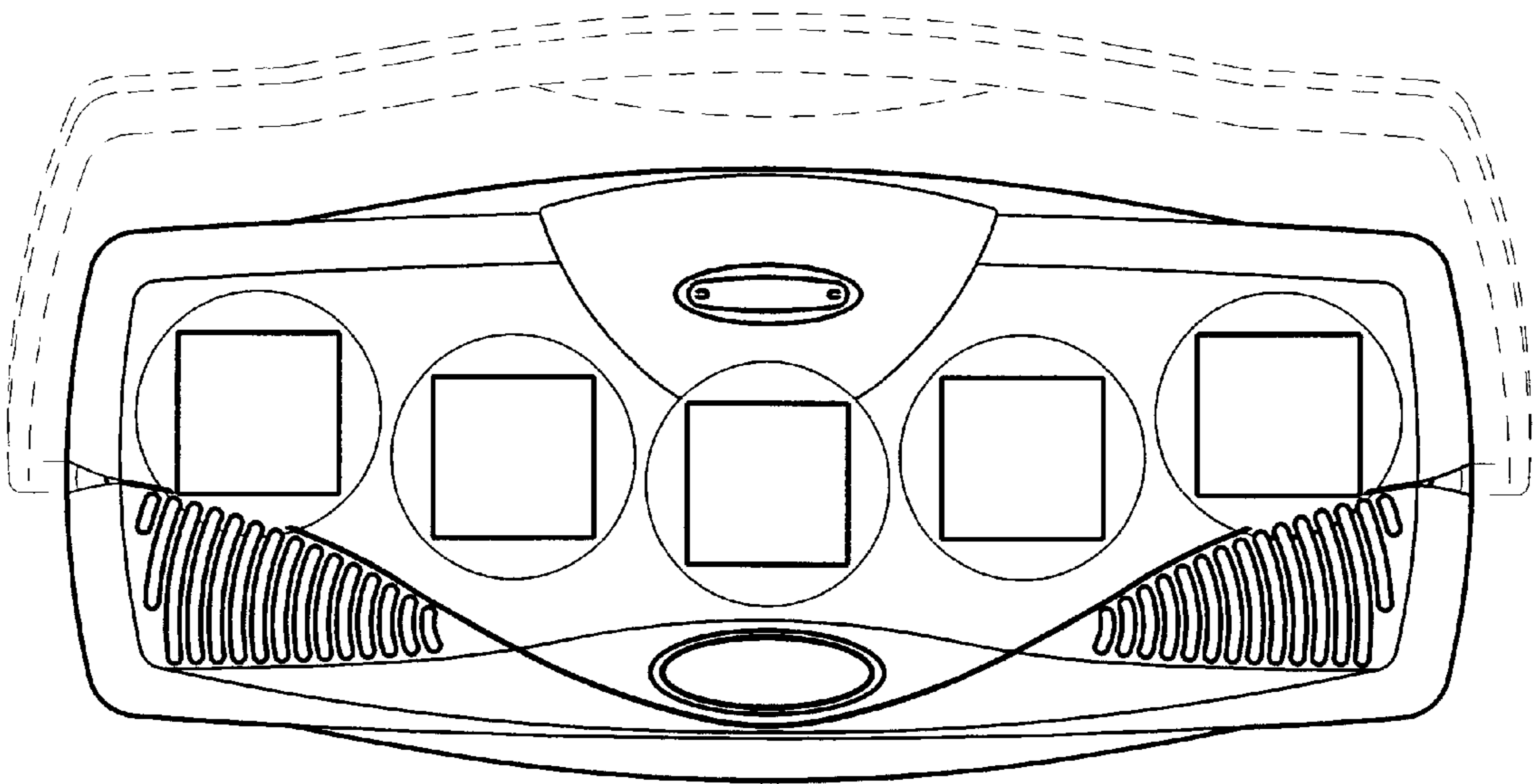


FIG. 7

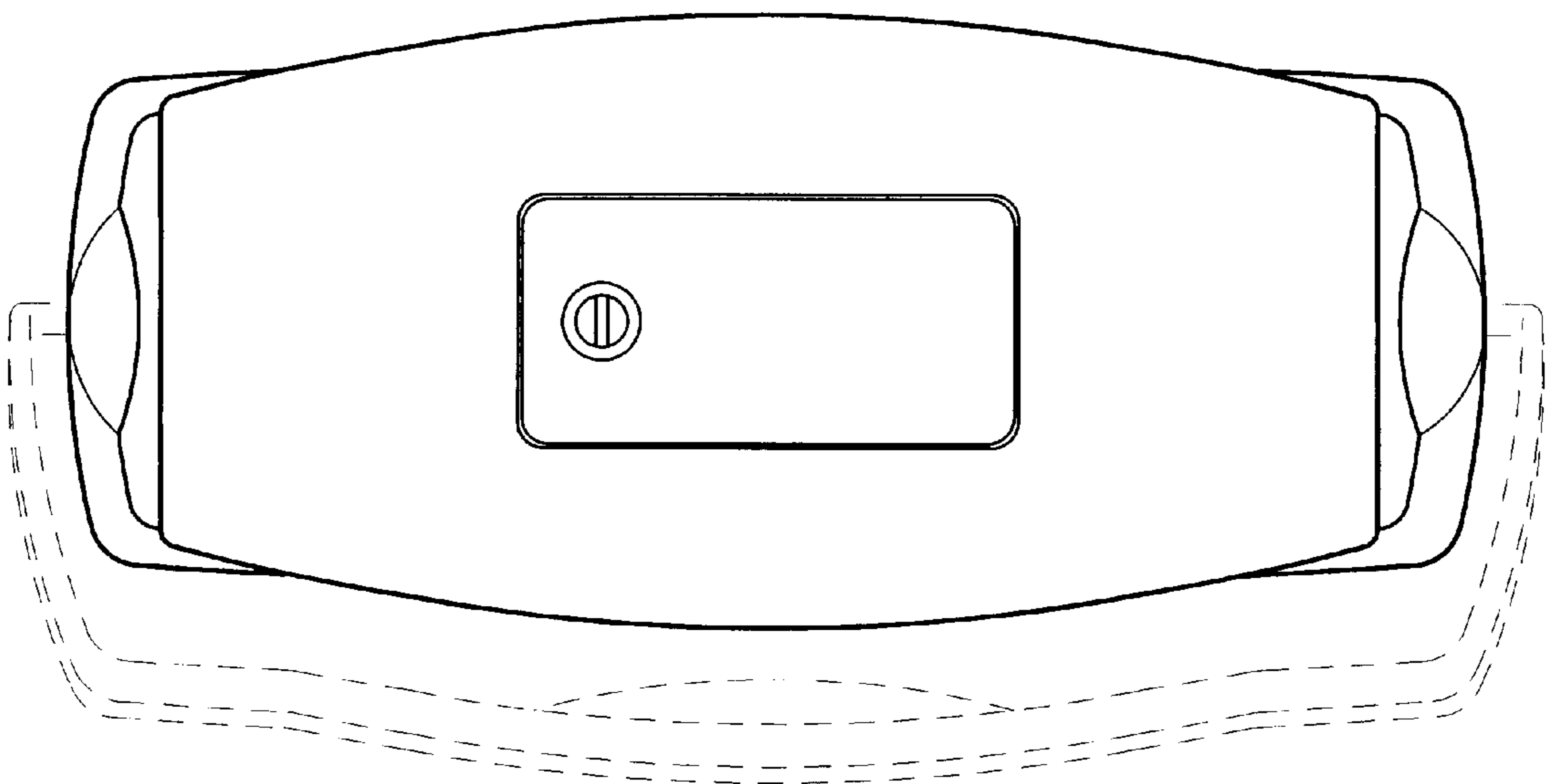
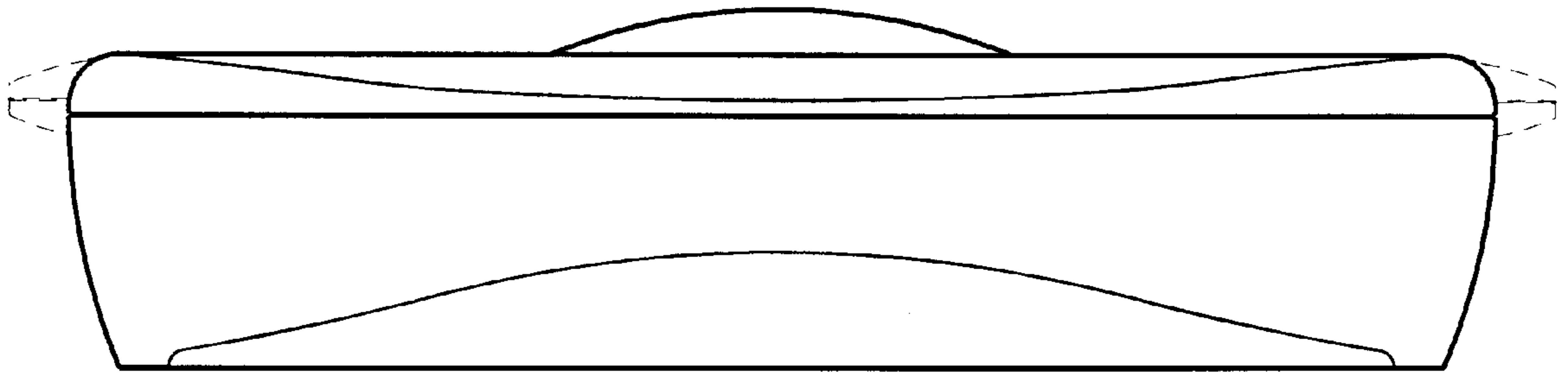
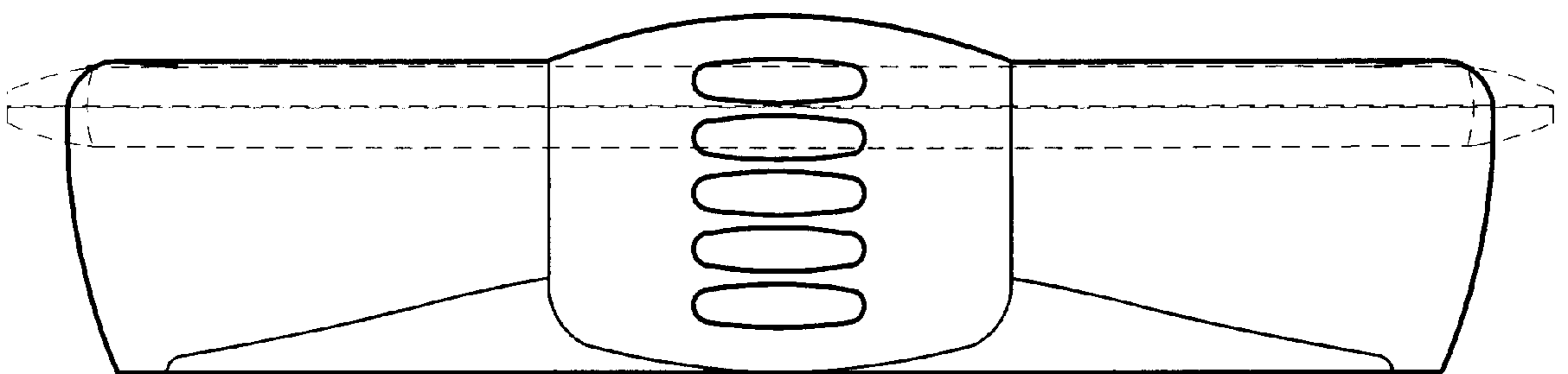


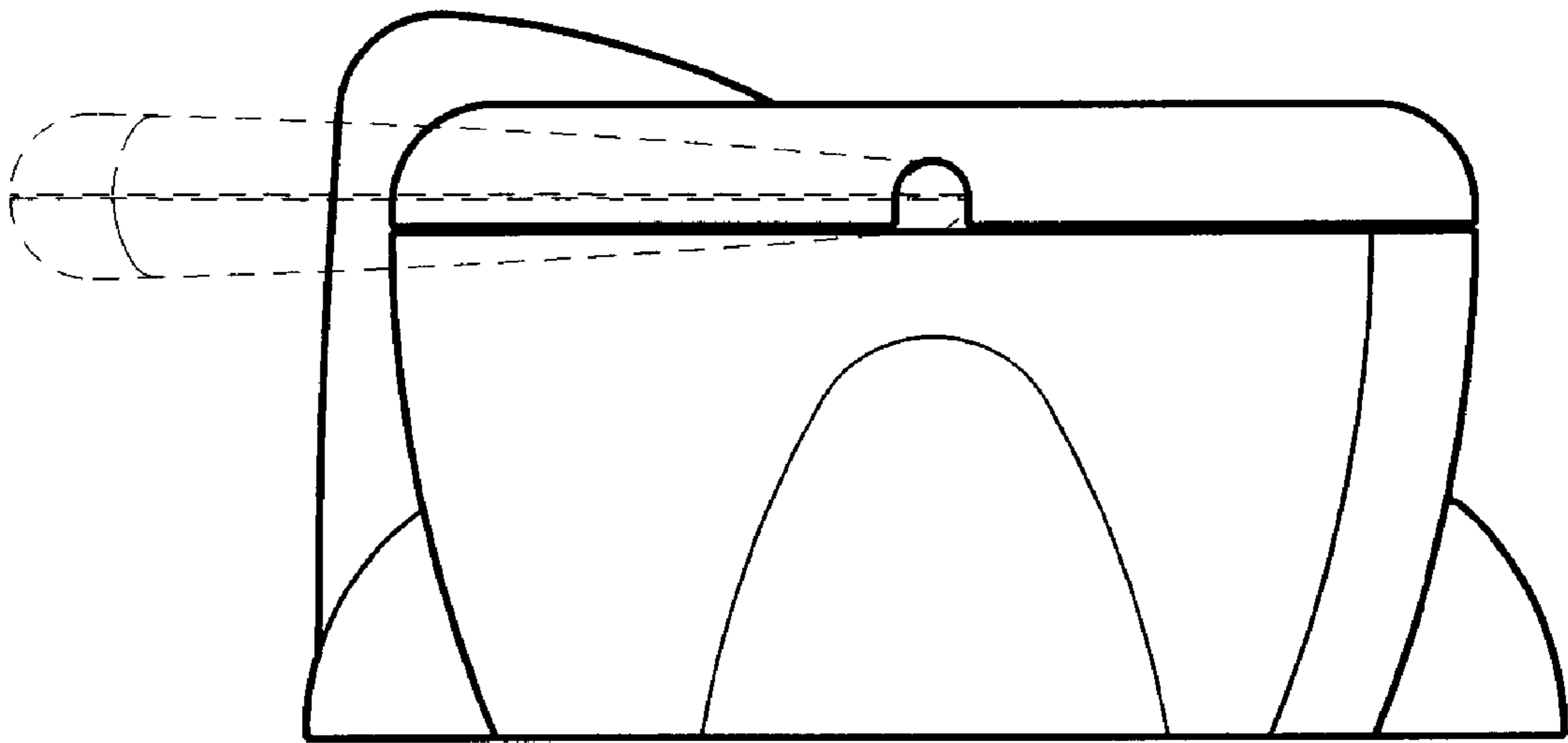
FIG. 8



*FIG. 9*



*FIG. 10*



*FIG. 11*



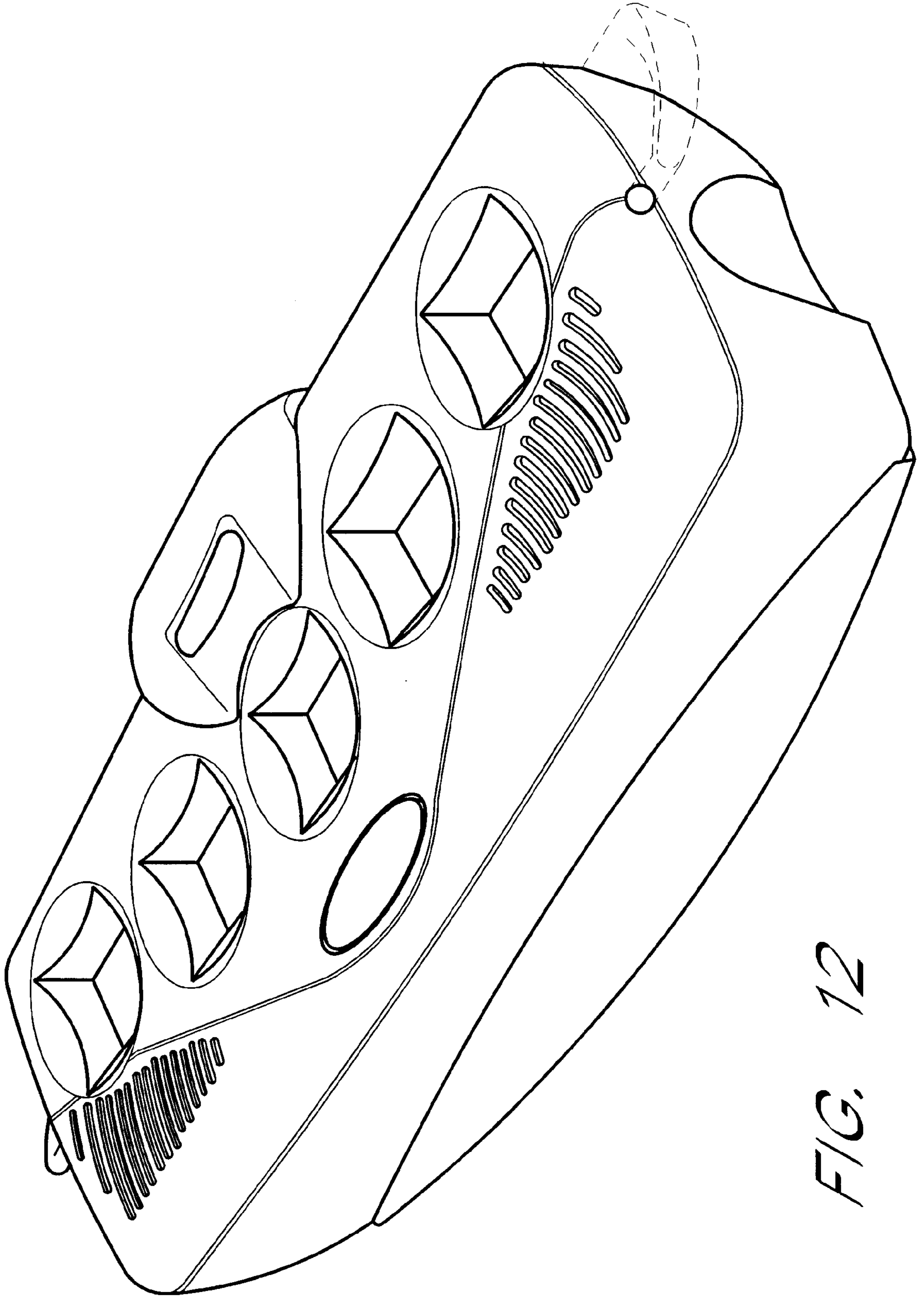


FIG. 12