



US00D410968S

# United States Patent [19]

Swan et al.

[11] **Patent Number: Des. 410,968**

[45] **Date of Patent: \*\* Jun. 15, 1999**

[54] **TOOL TAG**

4,749,112 6/1988 Harper ..... 224/553

[75] Inventors: **Michael D. Swan; Steven E. Swan,**  
both of Emporia, Kans.

*Primary Examiner*—Susan J. Lucas  
*Assistant Examiner*—Jennifer Rivard  
*Attorney, Agent, or Firm*—Hovey, Williams, Timmons & Collins

[73] Assignee: **Advanced Machine & Tool Co.,**  
Emporia, Kans.

[\*\*] Term: **14 Years**

[57] **CLAIM**

The ornamental design for a tool tag, as shown and described.

[21] Appl. No.: **29/090,962**

[22] Filed: **Jul. 21, 1998**

**DESCRIPTION**

[51] **LOC (6) Cl.** ..... **19-08**

[52] **U.S. Cl.** ..... **D20/22; D8/396**

[58] **Field of Search** ..... D20/22, 10, 23,  
D20/27, 28; D8/73, 356, 71, 396; 211/70.6;  
40/124.01, 124.05, 299.01, 660, 662, 642.02,  
649; 248/682, 315

FIG. 1 is a perspective view;  
FIG. 2 is a top plan view;  
FIG. 3 is a side elevational view, the opposite side view being a mirror image;  
FIG. 4 is a rear elevational view;  
FIG. 5 is a front elevational view;  
FIG. 6 is a bottom plan view; and,  
FIG. 7 is a side elevational view showing the tool tag in place on a tool.

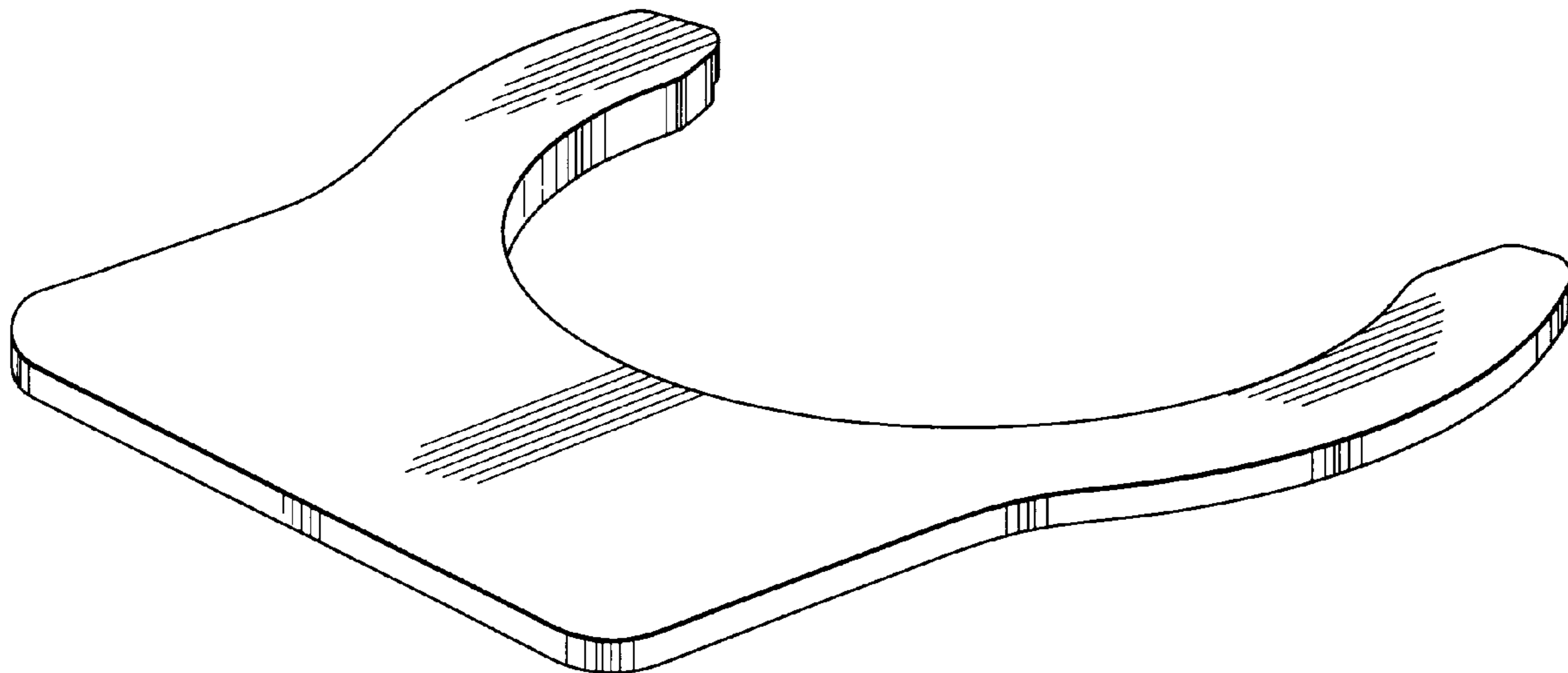
[56] **References Cited**

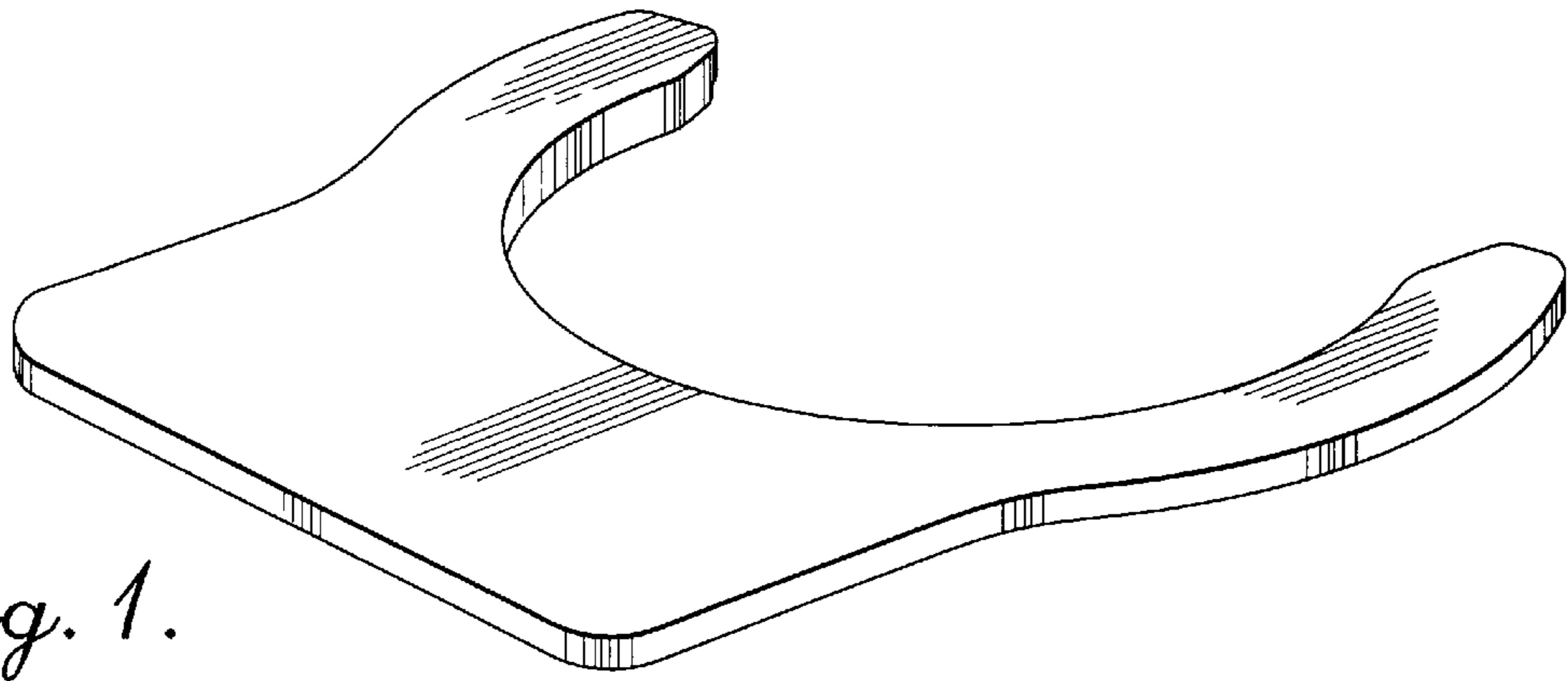
**U.S. PATENT DOCUMENTS**

- D. 344,449 2/1994 Ward ..... D8/396 X
- D. 359,756 6/1995 Ely ..... D20/28
- D. 370,386 6/1996 Pallesen ..... D20/22 X

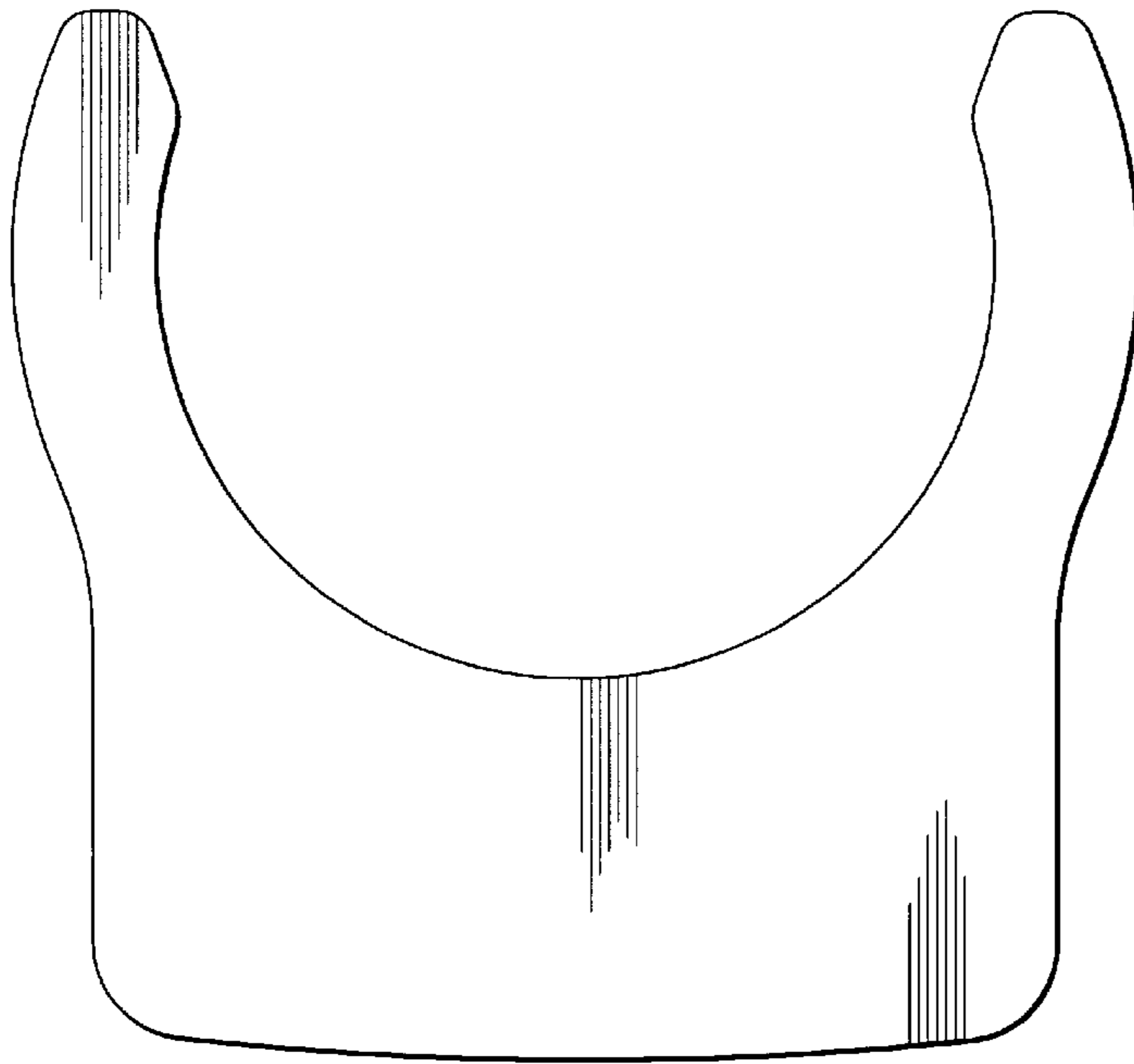
The broken lines are shown for illustrative purposes only and form no part of the claimed design.

**1 Claim, 2 Drawing Sheets**

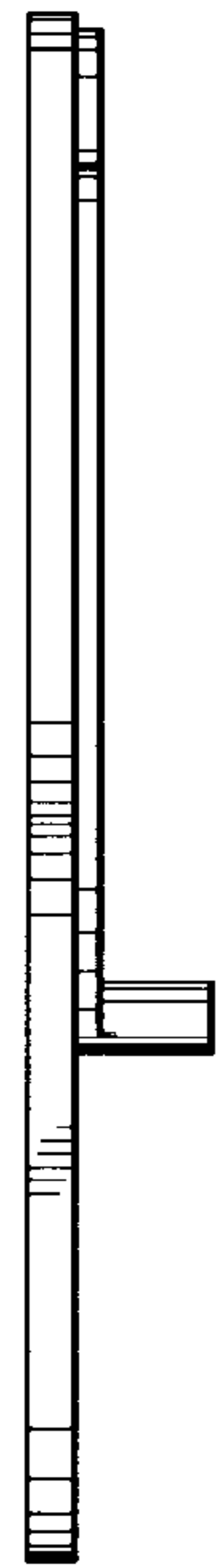




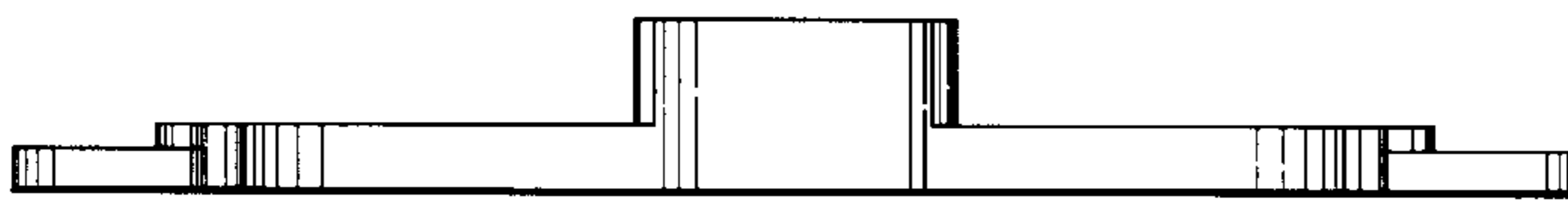
*Fig. 1.*



*Fig. 2.*



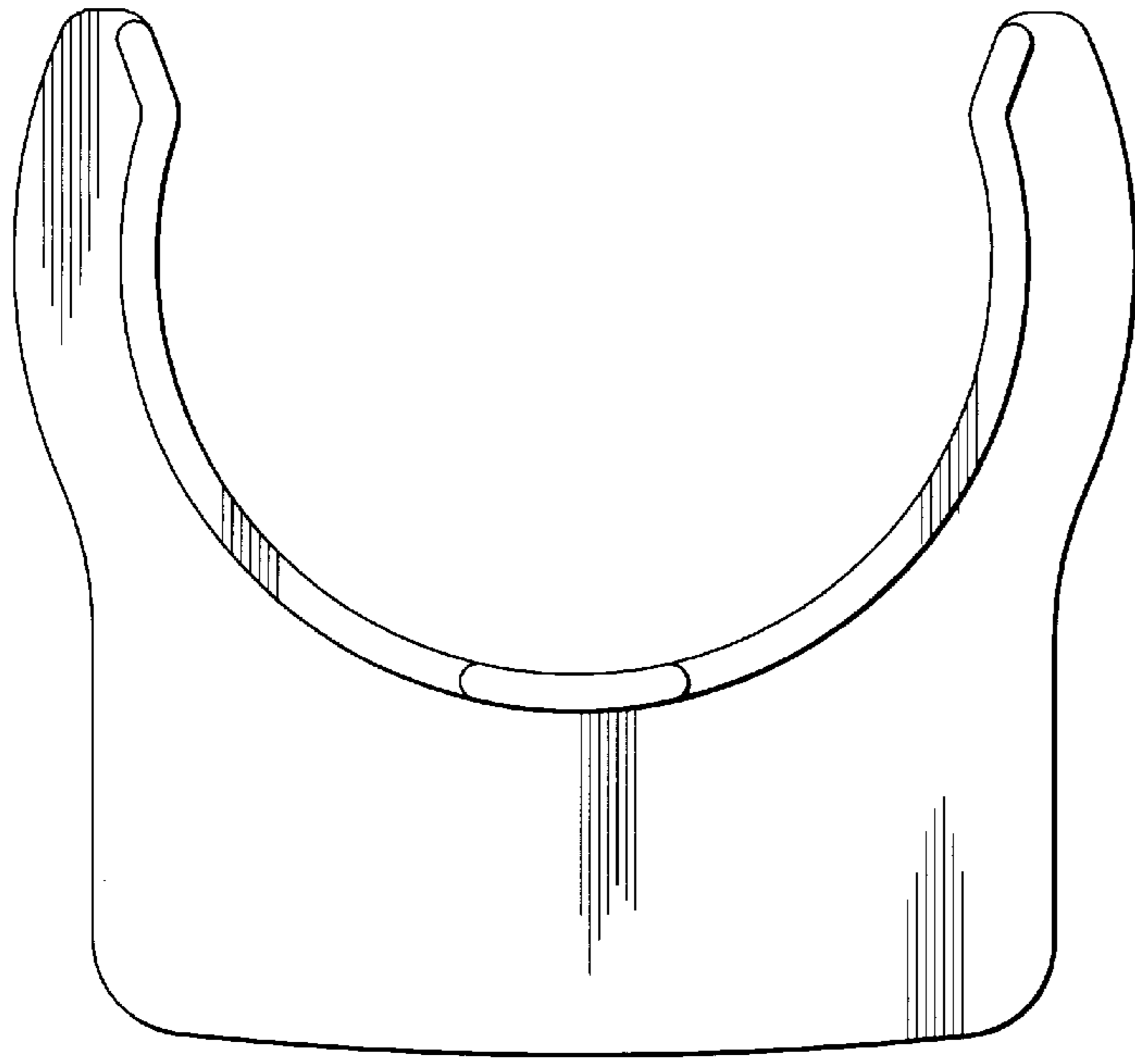
*Fig. 3.*



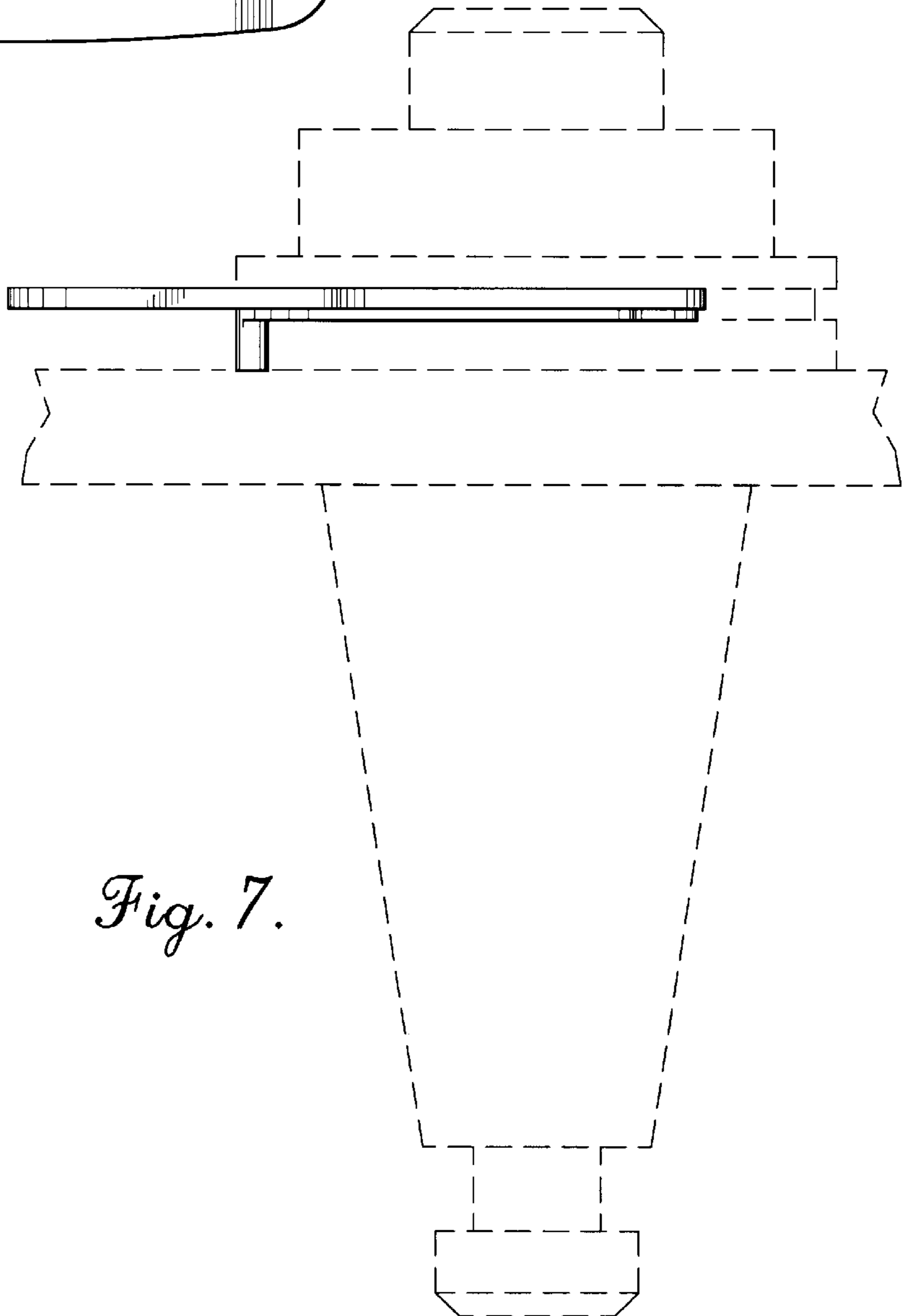
*Fig. 4.*

*Fig. 5.*





*Fig. 6.*



*Fig. 7.*