



US00D410956S

**United States Patent** [19]  
**Adams Zurawin**

[11] **Patent Number: Des. 410,956**  
[45] **Date of Patent: \*\* Jun. 15, 1999**

[54] **CONVERTIBLE GLOVE-MITTS**  
[75] Inventor: **Michael D. Adams Zurawin**, New York, N.Y.  
[73] Assignee: **Adams Global Industries, Inc.**, Ozone Park, N.Y.  
[\*\*] Term: **14 Years**

4,670,909	6/1987	Forrester	.....	2/160
4,742,579	5/1988	Dunford	.....	2/161.1 X
4,862,521	9/1989	Mann	.....	2/160
4,905,321	3/1990	Walunga	.....	2/161.1
5,330,391	7/1994	Mitchell	.....	2/161.1 X
5,509,143	4/1996	Yates et al.	.....	2/160
5,575,008	11/1996	McBride et al.	.....	2/161.1
5,620,621	4/1997	Sontagi	.....	2/160 X

*Primary Examiner*—Paula A. Mortimer

[21] Appl. No.: **29/050,952**  
[22] Filed: **Feb. 26, 1996**  
[51] **LOC (6) Cl.** ..... **02-06**  
[52] **U.S. Cl.** ..... **D2/617**  
[58] **Field of Search** ..... D2/610, 616, 617;  
D29/100, 113, 115, 117, 123; 2/159, 160,  
161.1, 247

[57] **CLAIM**

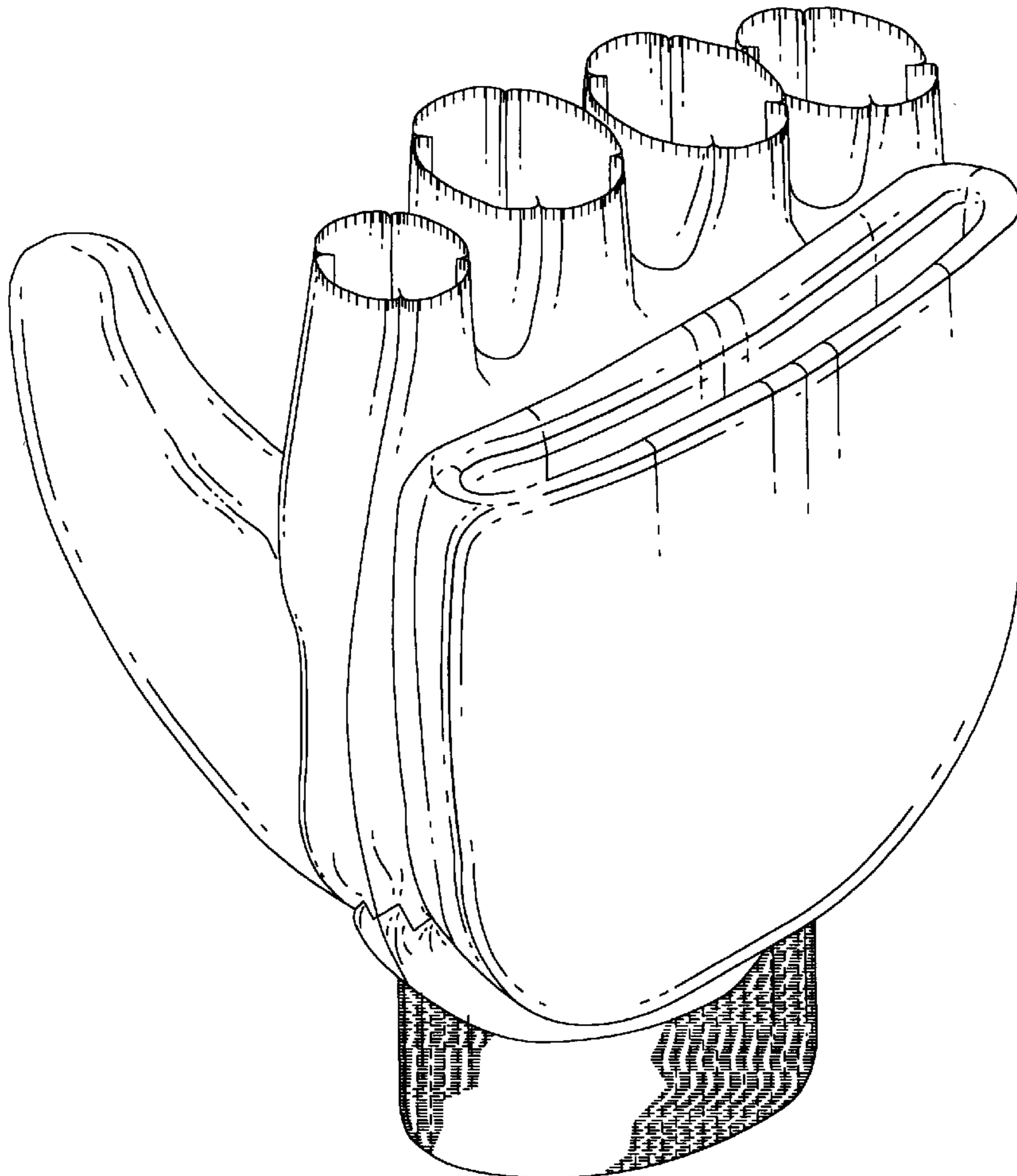
The ornamental design for a convertible glove mitt, as shown and described.

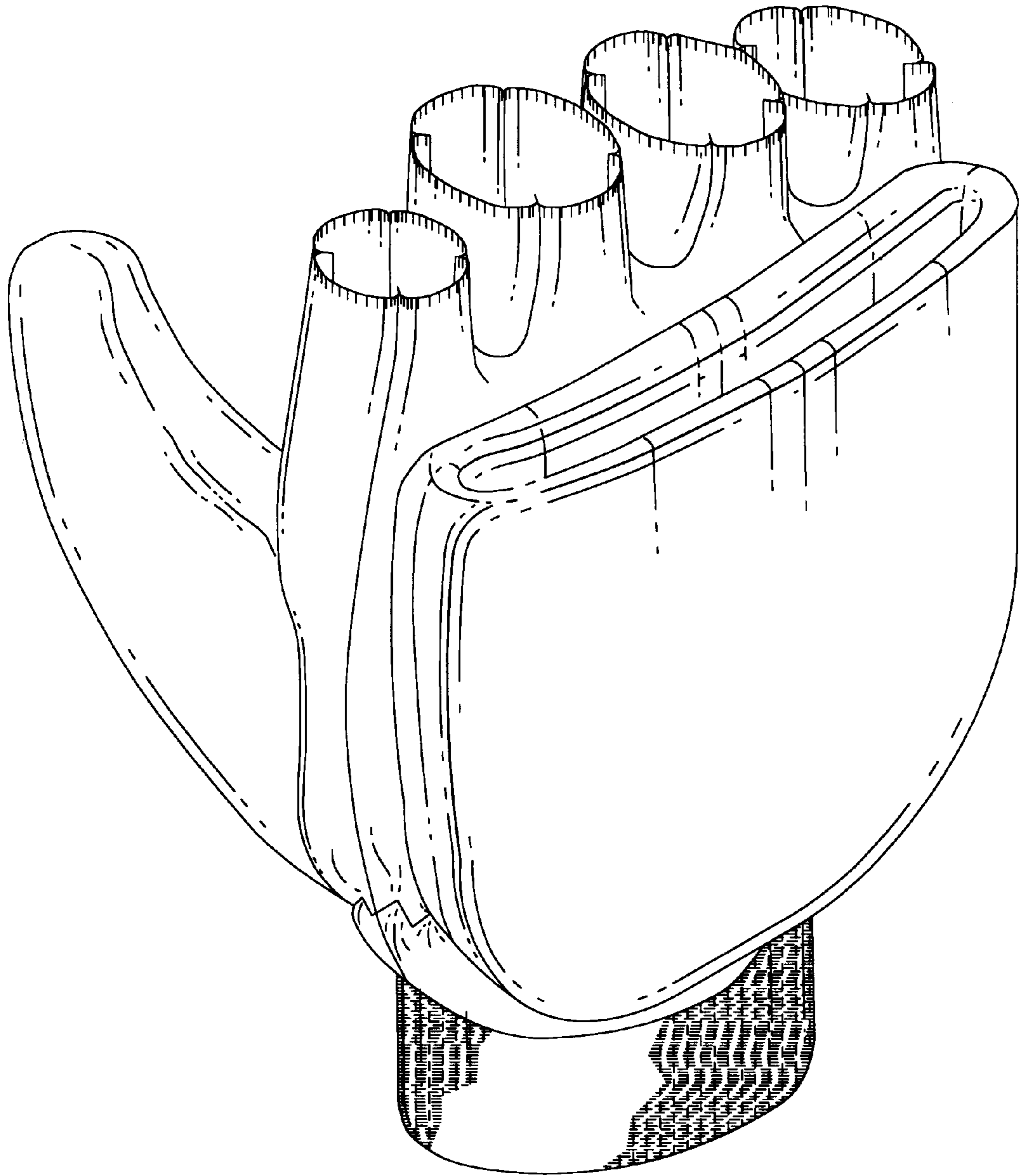
**DESCRIPTION**

FIG. 1 is a rear perspective view of a convertible glove mitt showing my new design;  
FIG. 2 is a front elevational view thereof;  
FIG. 3 is a side elevational view thereof;  
FIG. 4 is a rear elevational view thereof; and,  
FIG. 5 is an opposite side elevational view thereof;  
FIG. 6 is a top plan view thereof; and,  
FIG. 7 is a bottom plan view thereof.

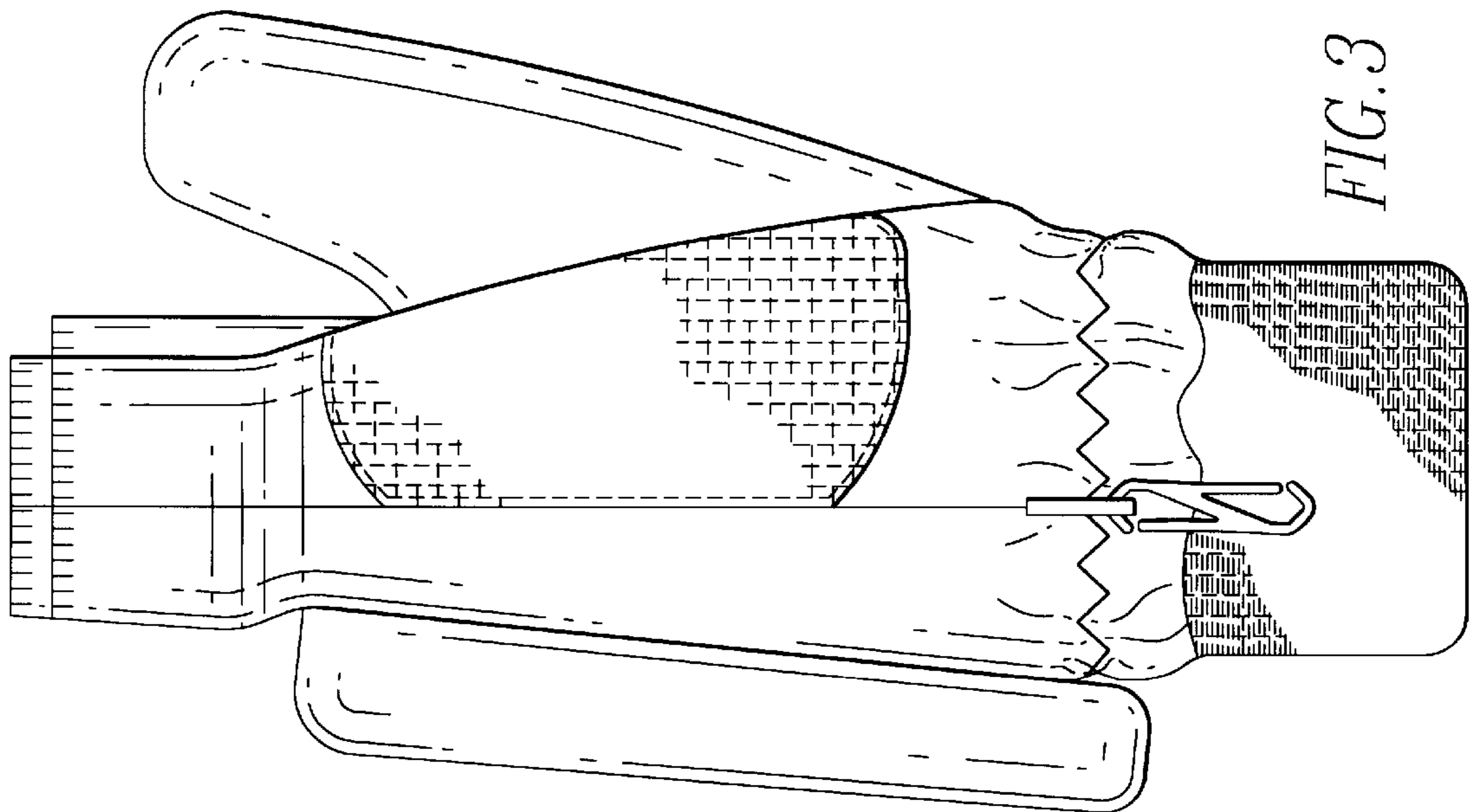
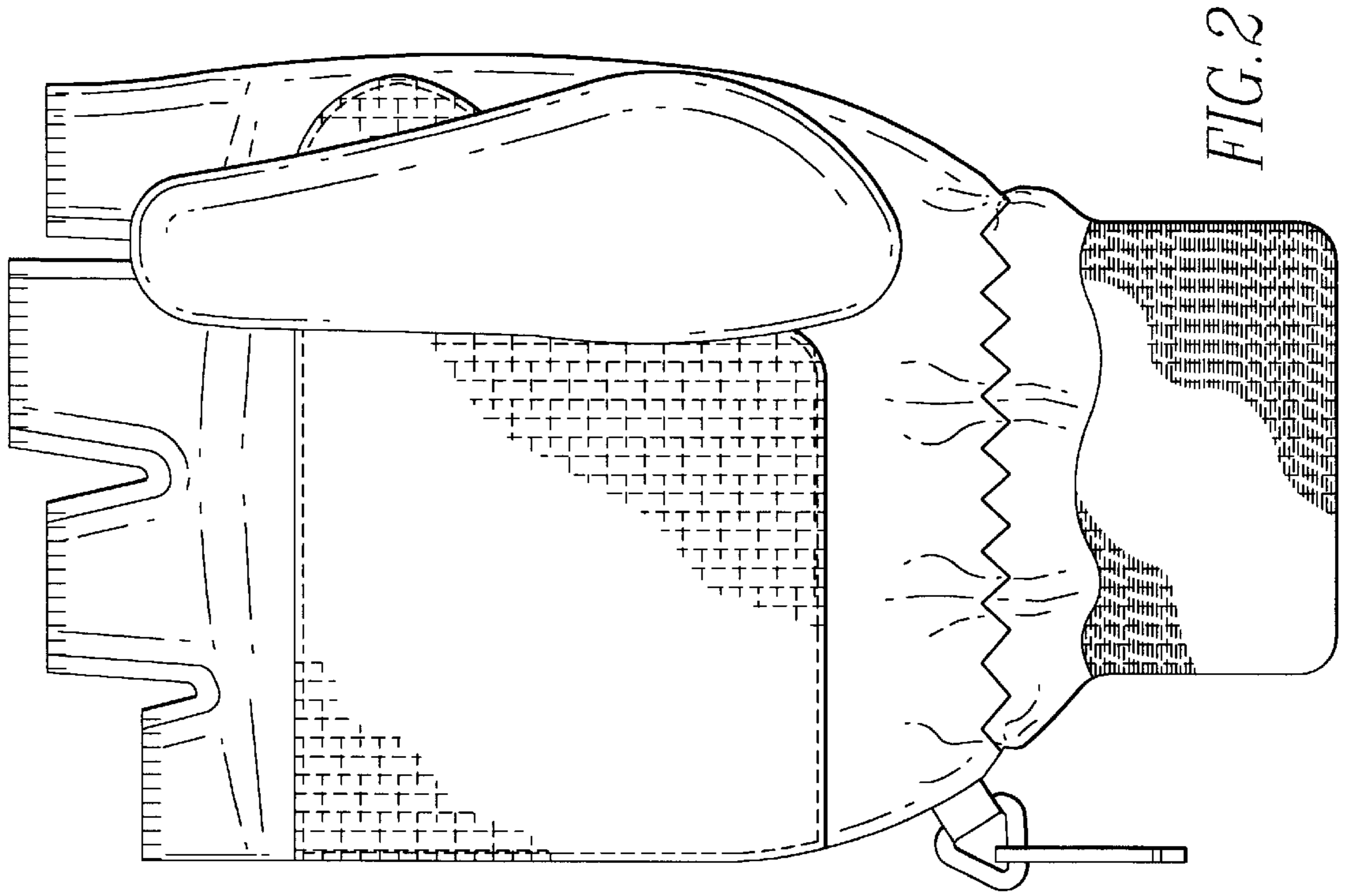
[56] **References Cited**  
U.S. PATENT DOCUMENTS  
2,432,325 12/1947 McDougall ..... D29/117 X  
4,164,043 8/1979 Fujita ..... 2/161.1  
4,535,482 8/1985 Spector et al. .... 2/160  
4,587,673 5/1986 Boliard ..... 2/161.1

**1 Claim, 4 Drawing Sheets**





*FIG. 1*



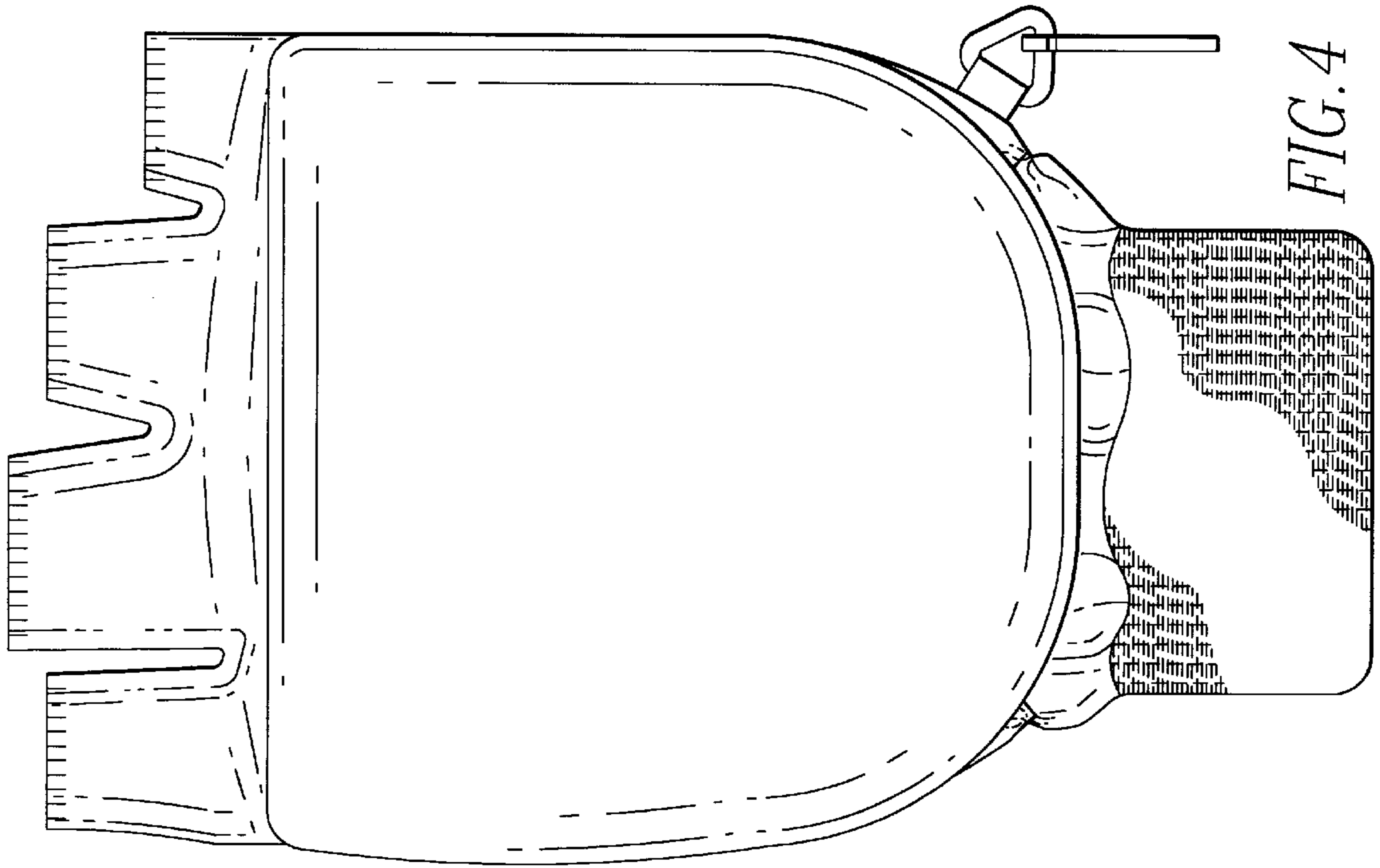


FIG. 4

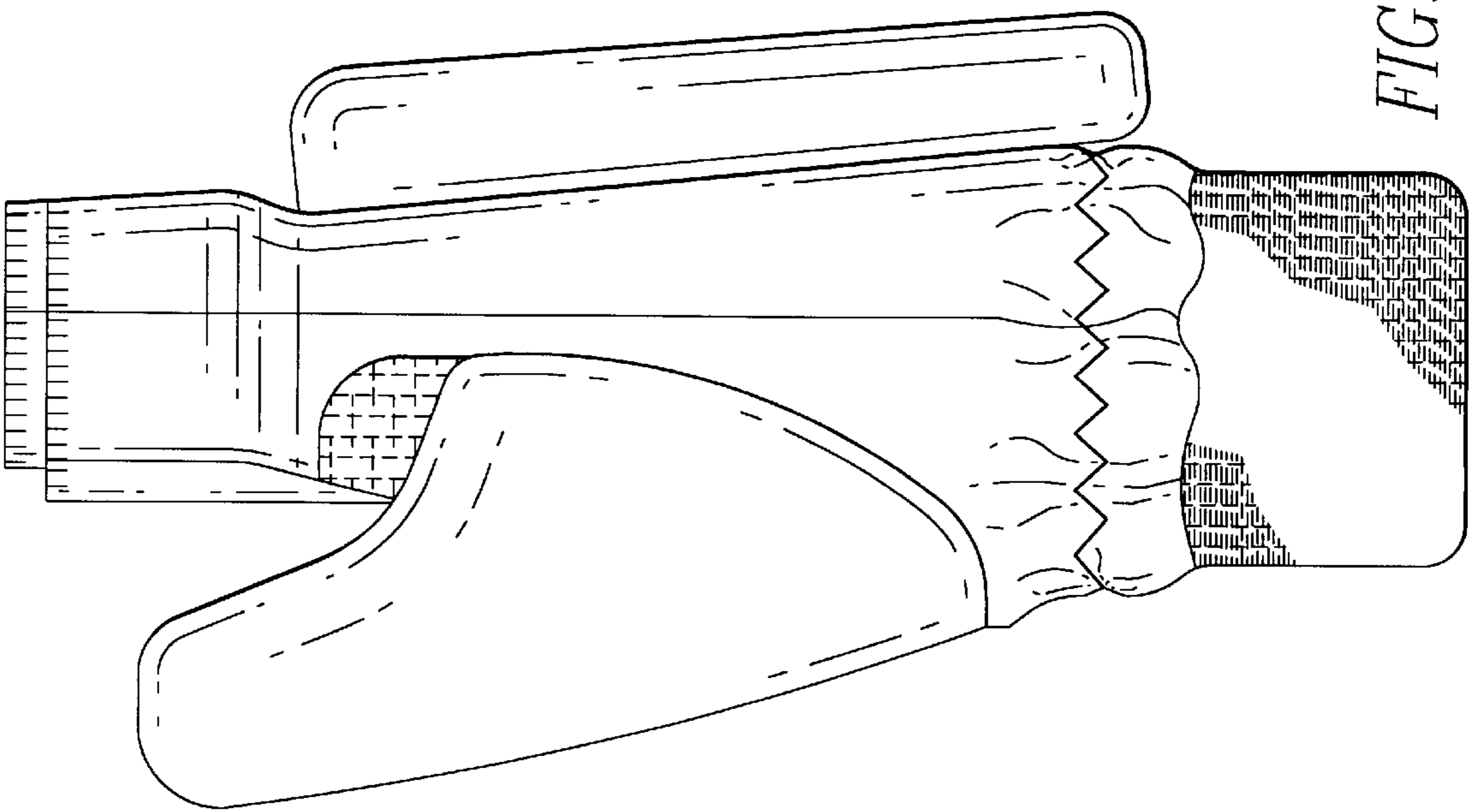


FIG. 5

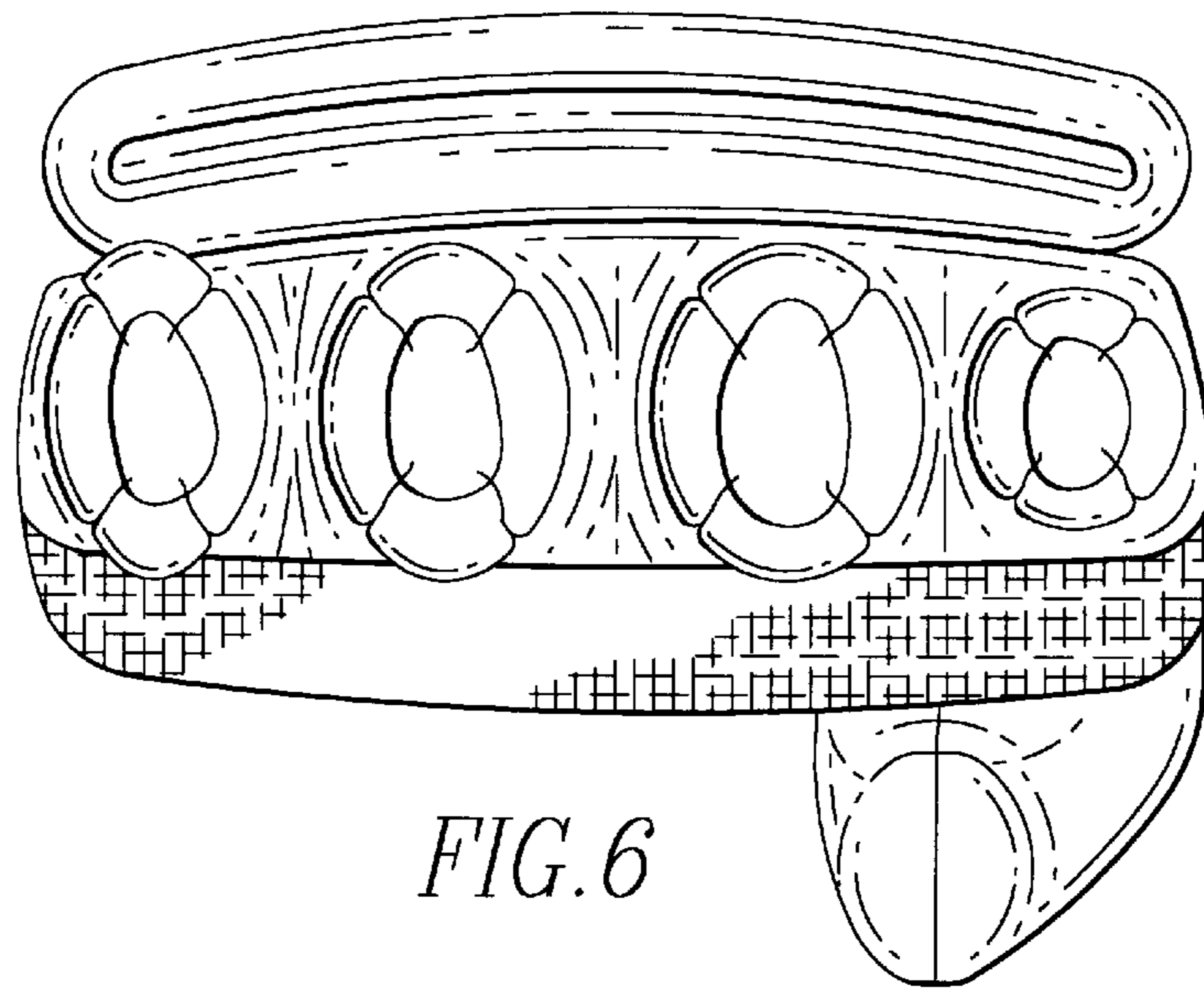


FIG. 6

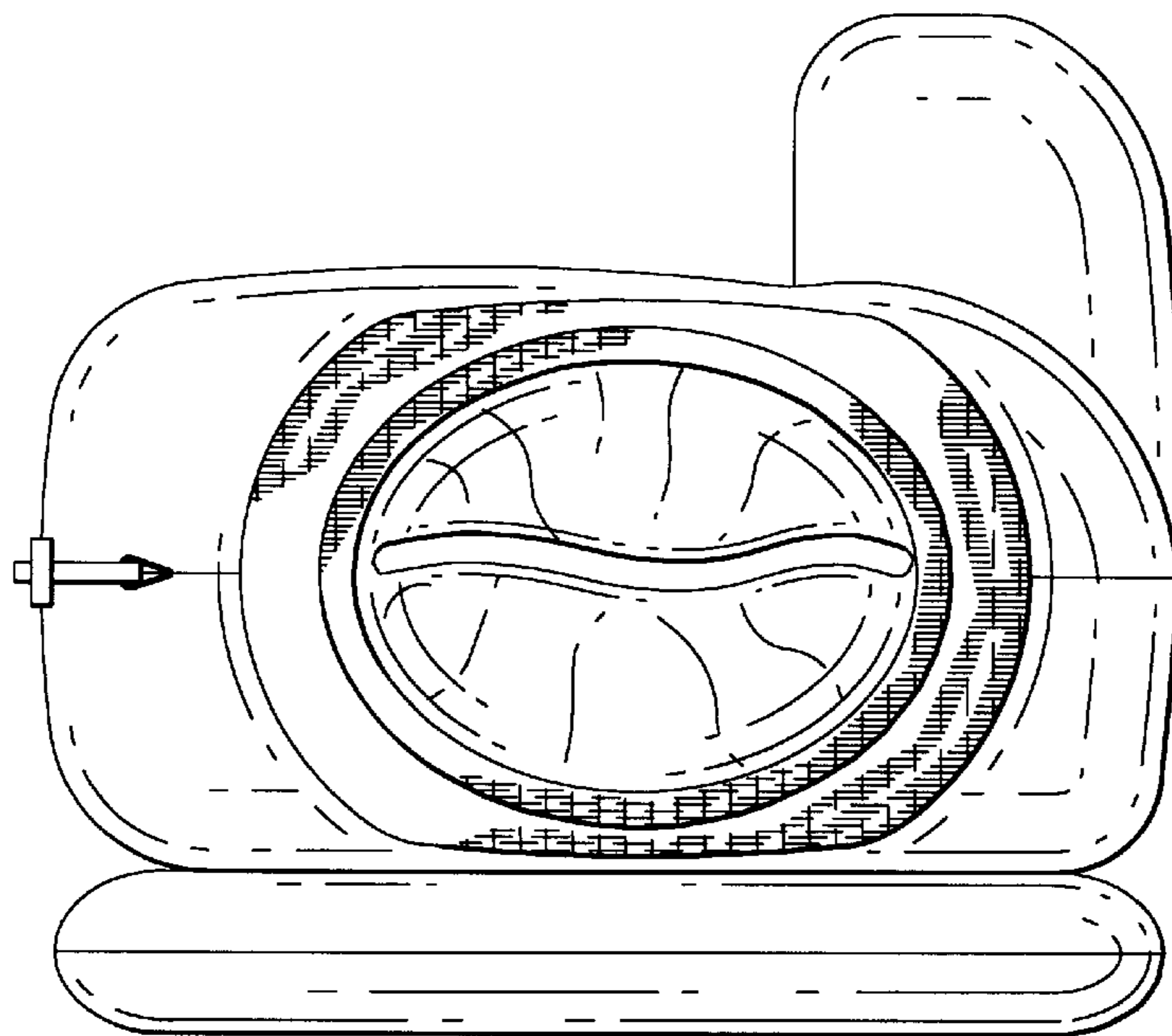


FIG. 7