



US00D410949S

United States Patent [19] Fowkes

[11] Patent Number: **Des. 410,949**

[45] Date of Patent: **** Jun. 15, 1999**

[54] **PRINTER HEAD**

[75] Inventor: **George Fowkes**, Cambridge, United Kingdom

[73] Assignee: **Intermec Printer AB**, Molndal, Sweden

[**] Term: **14 Years**

[21] Appl. No.: **29/079,348**

[22] Filed: **Nov. 12, 1997**

[30] **Foreign Application Priority Data**

May 14, 1997 [SE] Sweden 97-1094

[51] **LOC (6) Cl.** **18-02**

[52] **U.S. Cl.** **D18/56; 347/86**

[58] **Field of Search** D18/43, 56; 347/86-88, 347/32, 33; 106/272, 31.31, 31.62, 31.63, 31.13, 31.29, 31.61

[56] **References Cited**

U.S. PATENT DOCUMENTS

D. 310,682	9/1990	Tsumuro	D18/56
D. 314,210	1/1991	Kimura et al.	D18/56
D. 375,975	11/1996	Koizumi et al.	D18/56
D. 391,293	2/1998	Hino et al.	D18/56
4,571,599	2/1986	Rezanka	347/87
5,049,898	9/1991	Arthur et al.	347/87
5,168,291	12/1992	Hiramatsu et al.	347/86

5,245,360	9/1993	Ebinuma et al.	347/86
5,245,365	9/1993	Woodard et al.	347/86
5,250,121	10/1993	Ramamoto et al.	347/86
5,354,369	10/1994	Shimomura et al.	347/99
5,500,659	3/1996	Curran, Jr. et al.	347/87
5,510,815	4/1996	Linder et al.	347/43
5,589,861	12/1996	Shibata	347/33
5,784,088	7/1998	Ujita et al.	347/86
5,793,396	8/1998	Sasaki	347/86

FOREIGN PATENT DOCUMENTS

635373 1/1995 European Pat. Off. 347/86

Primary Examiner—Cathy Anne MacCormac
Attorney, Agent, or Firm—Nims, Howes, Collison, Hansen & Lackert

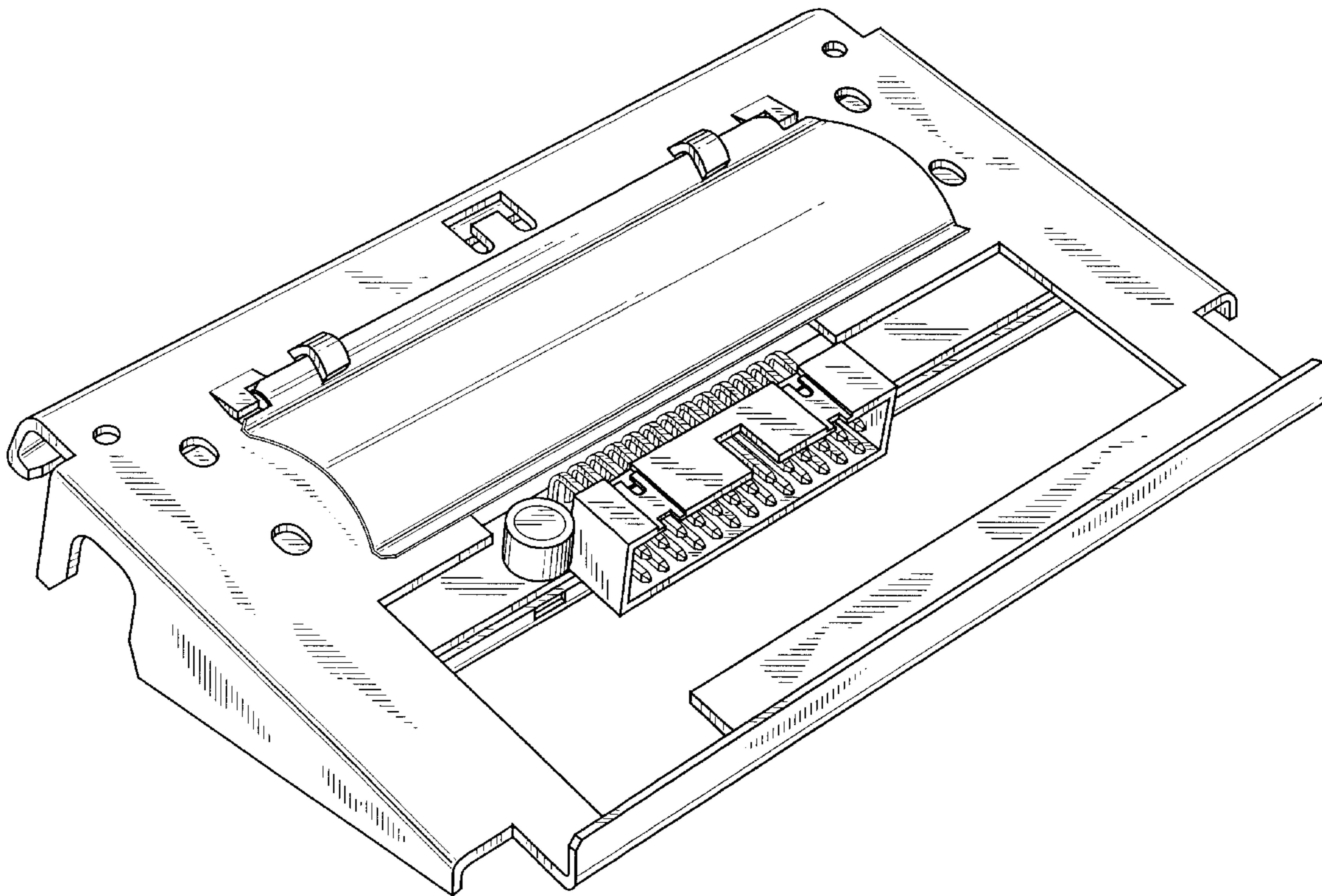
[57] **CLAIM**

The ornamental design for a printer head, as shown and described.

DESCRIPTION

FIG. 1 is a perspective view of the printer head, showing my new design;
FIG. 2 is a top view of the printer head;
FIG. 3 is a front view thereof;
FIG. 4 is a rear view thereof;
FIG. 5 is a bottom view thereof;
FIG. 6 is a right side view thereof; and,
FIG. 7 is a left side view thereof.

1 Claim, 4 Drawing Sheets



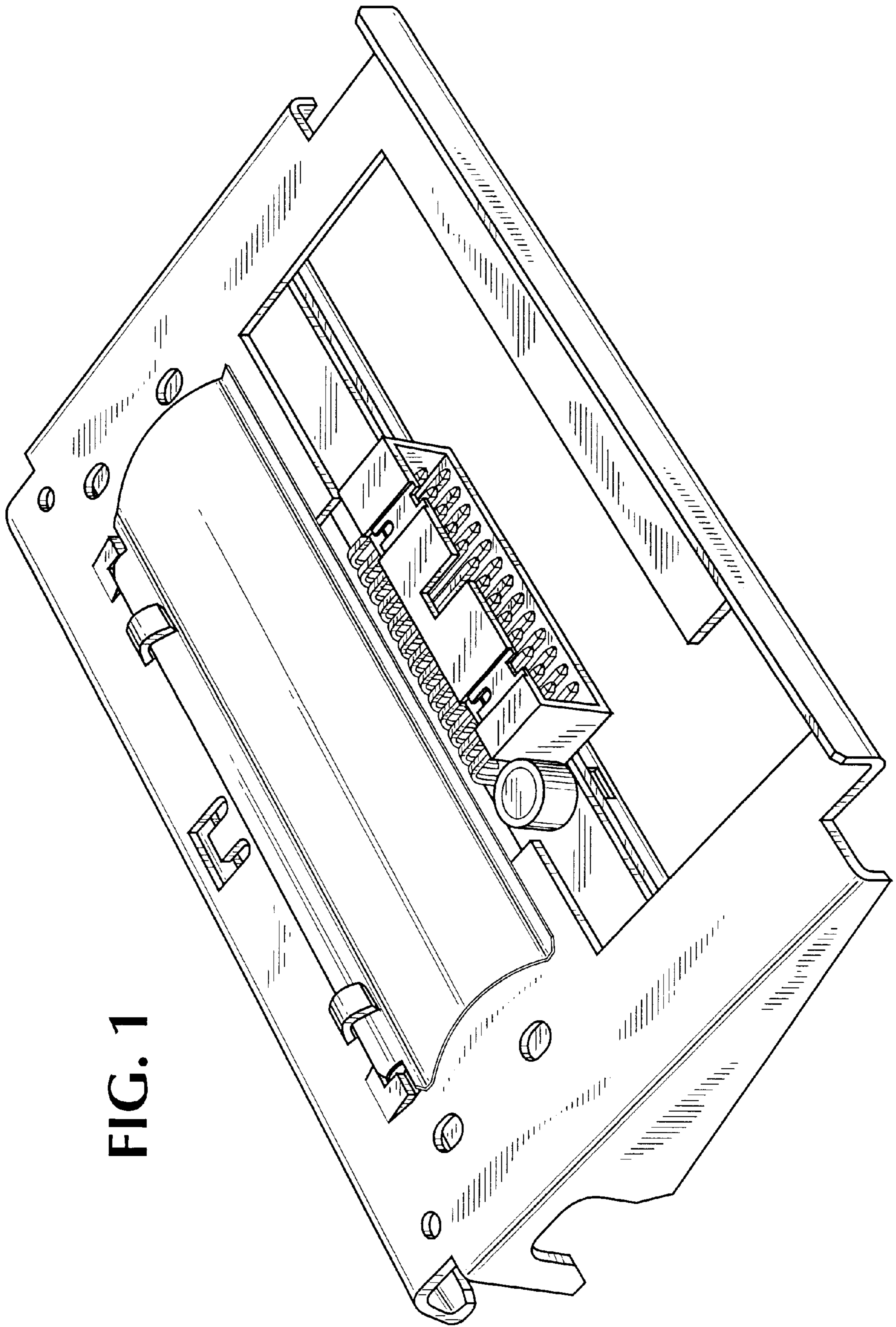


FIG. 1

FIG. 2

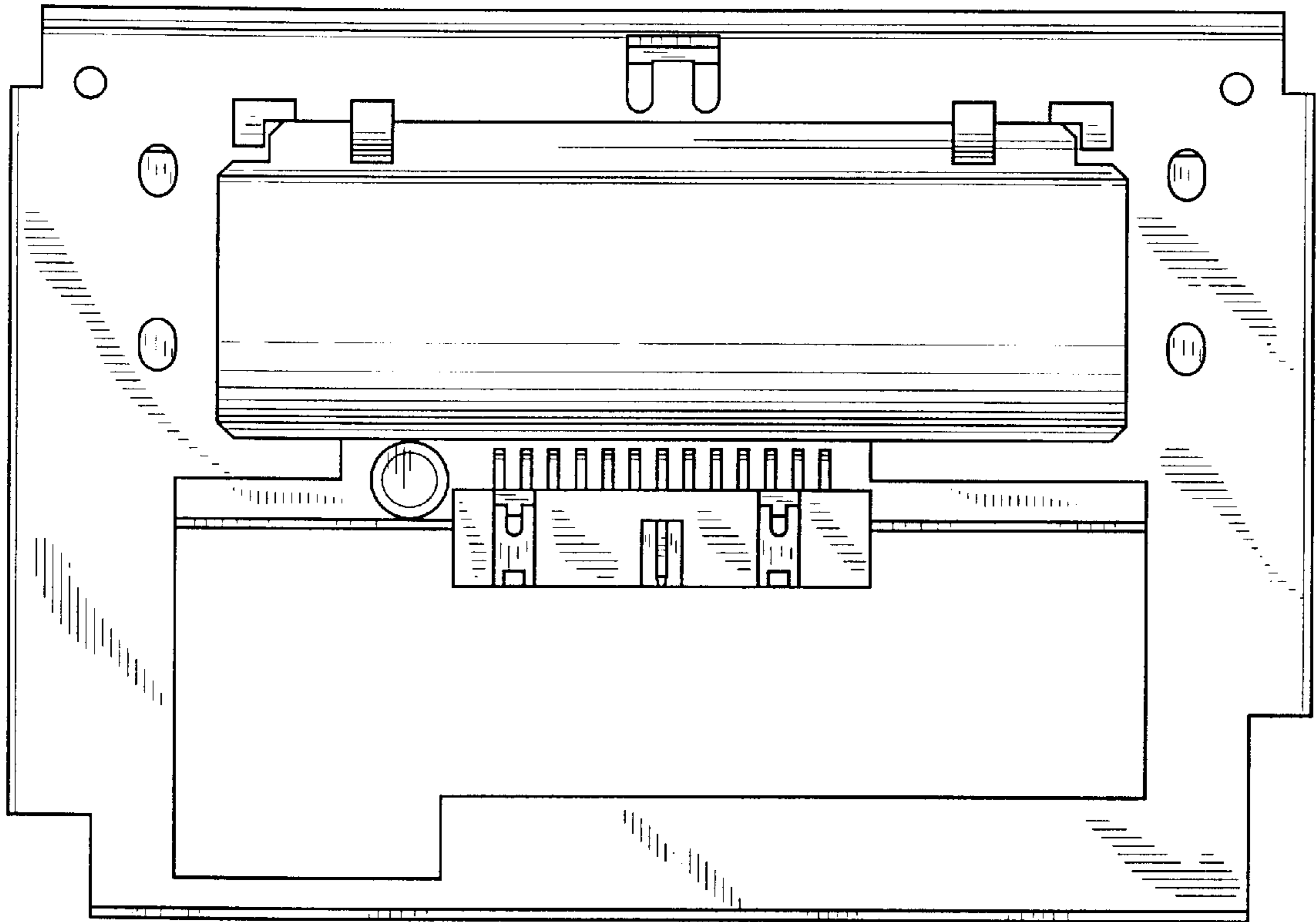


FIG. 3

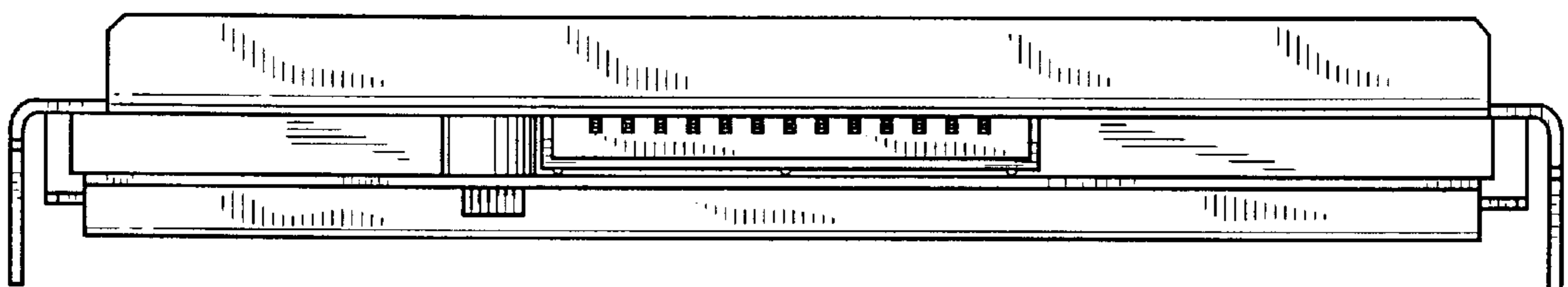


FIG. 4

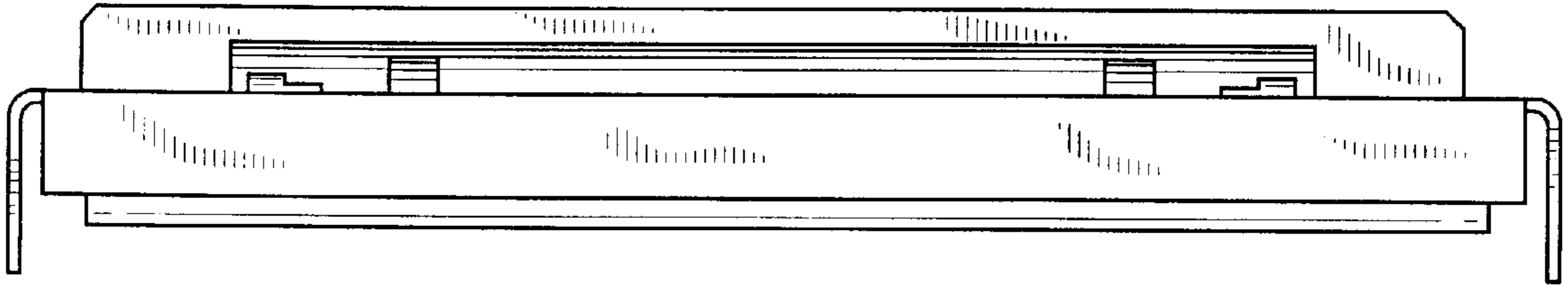


FIG. 5

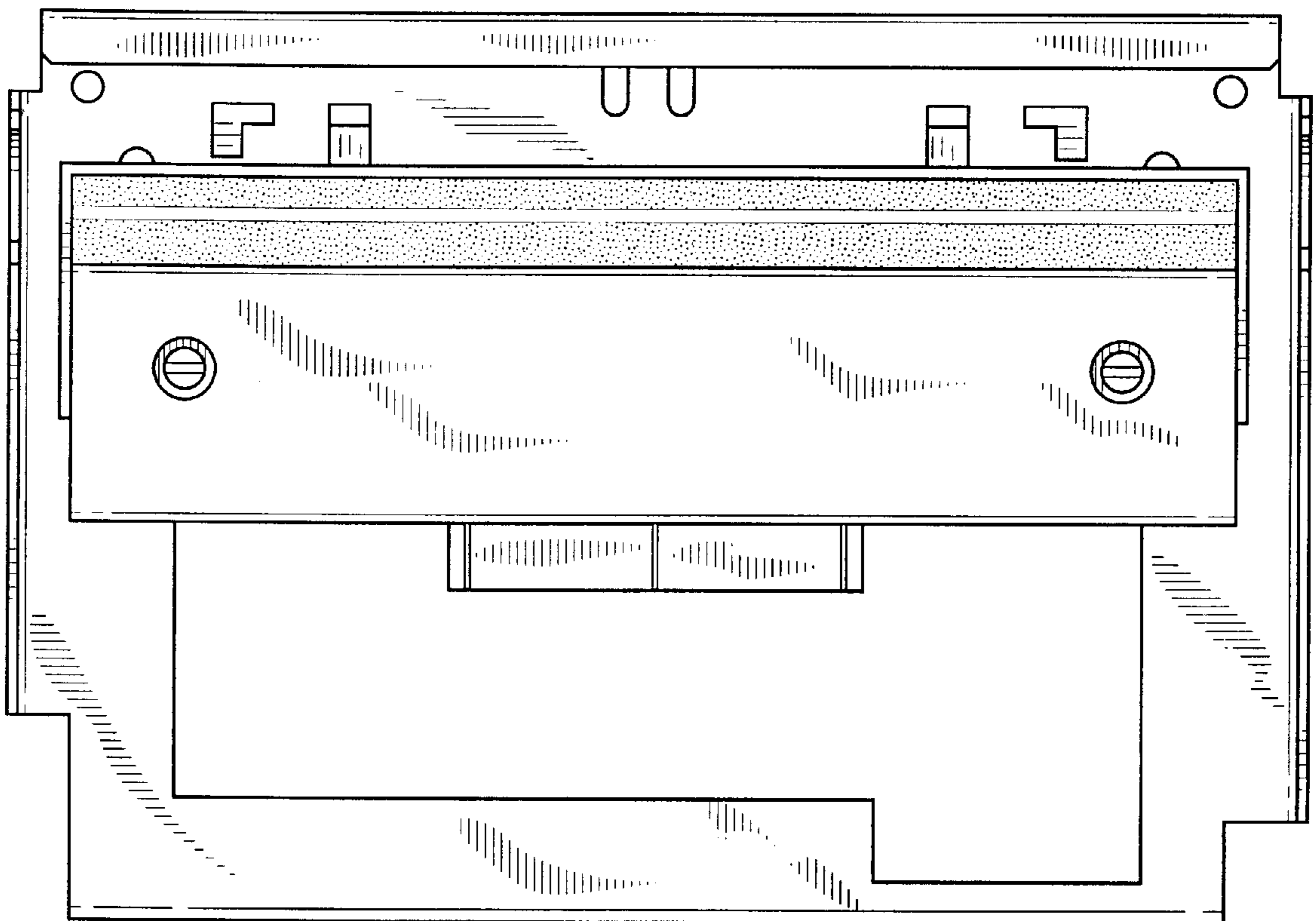


FIG. 6

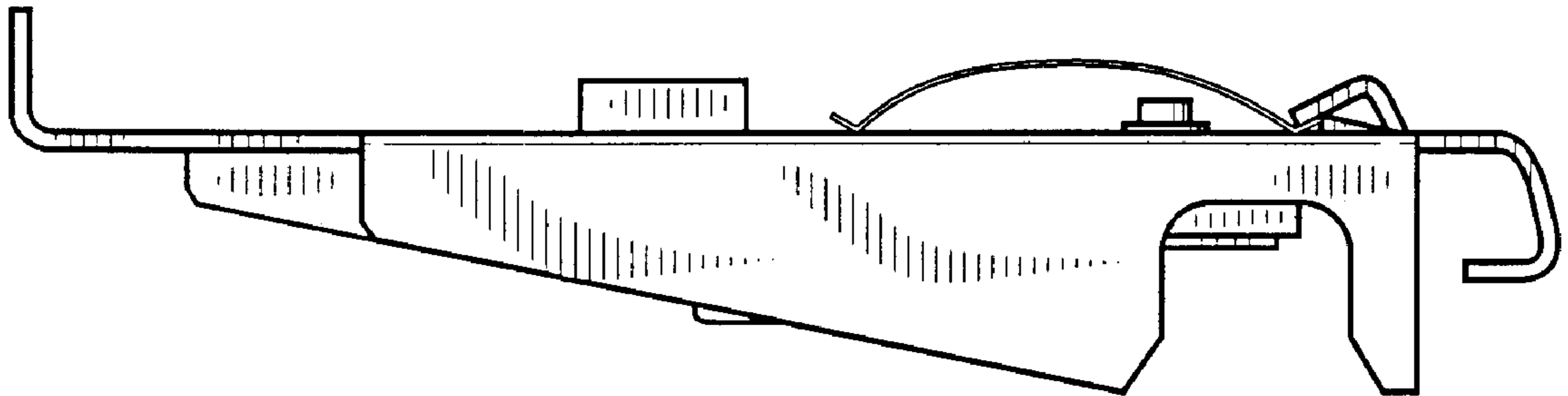


FIG. 7

