



US00D410948S

United States Patent [19]

[11] Patent Number: **Des. 410,948**

Jones

[45] Date of Patent: **** Jun. 15, 1999**

[54] CASSETTE TRAY

[75] Inventor: **Brent R. Jones**, Tualatin, Oreg.

[73] Assignee: **Tektronix, Inc.**, Wilsonville, Oreg.

[**] Term: **14 Years**

[21] Appl. No.: **29/075,980**

[22] Filed: **Aug. 27, 1997**

[51] LOC (6) Cl. **18-02**

[52] U.S. Cl. **D18/56; 347/87**

[58] Field of Search D18/56; 347/86-88,
347/103

5,182,581	1/1993	Kashimura et al.	347/87
5,201,414	4/1993	Kaszubinski .	
5,297,675	3/1994	Martucci .	
5,406,320	4/1995	Durst et al.	347/86
5,497,178	3/1996	DeFosse et al.	347/87
5,504,513	4/1996	Nobel et al.	347/87
5,552,816	9/1996	Oda et al.	347/86
5,576,750	11/1996	Brandon et al.	347/87
5,619,237	4/1997	Inoue et al.	347/86
5,661,510	8/1997	Brandon et al.	347/87
5,805,187	9/1998	Sasaki	347/86
5,805,191	9/1998	Jones et al.	347/103
5,808,645	9/1998	Reeves et al.	347/103

FOREIGN PATENT DOCUMENTS

3184873	8/1991	Japan	347/86
---------	--------	-------------	--------

[56] References Cited

U.S. PATENT DOCUMENTS

D. 318,420	7/1991	Amelse .	
D. 353,764	12/1994	Ho .	
D. 358,761	5/1995	Ho .	
D. 367,607	3/1996	Johnson et al. .	
D. 371,804	7/1996	Kotaki et al.	D18/56
D. 382,013	8/1997	Tashiro et al.	D18/56
D. 382,014	8/1997	Tashiro et al.	D18/56
D. 392,672	3/1998	Inoue et al.	D18/56
D. 395,669	6/1998	Carlotta et al.	D18/56
D. 395,670	6/1998	Inoue et al.	D18/56
D. 395,916	7/1998	Inoue et al.	D18/56
4,375,850	3/1983	Smyth et al. .	
4,712,679	12/1987	Lowe .	
4,850,477	7/1989	Gelardi et al. .	
5,138,344	8/1992	Ujita	347/86

Primary Examiner—Cathy Anne MacCormac
Attorney, Agent, or Firm—Charles F. Moore

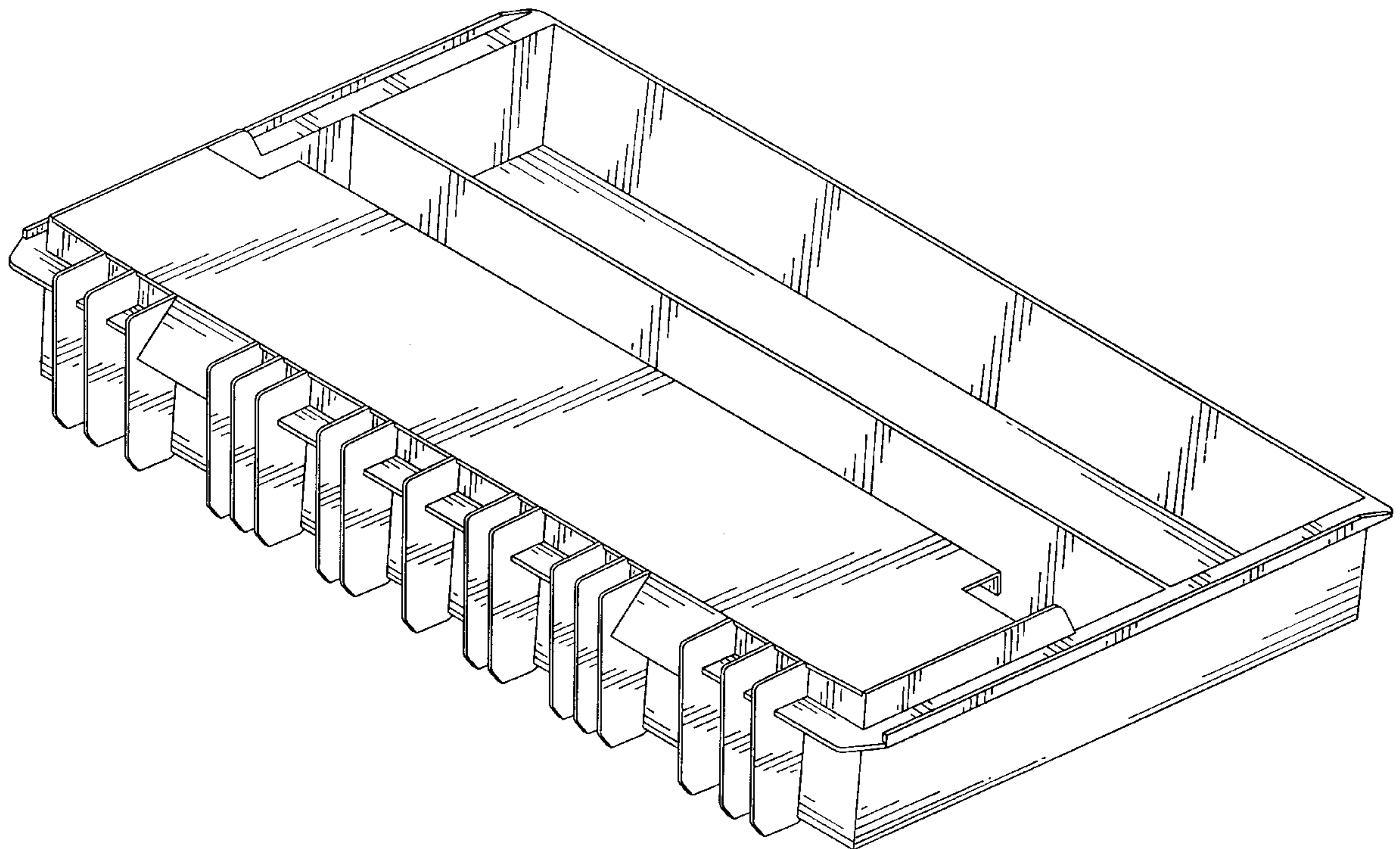
[57] CLAIM

The ornamental design for a cassette tray, as shown and described.

DESCRIPTION

FIG. 1 is a front perspective view of the cassette tray; FIG. 2 is a top plan view thereof; FIG. 3 is a right side elevational view thereof; FIG. 4 is a front elevational view thereof; FIG. 5 is a rear elevational view thereof; and, FIG. 6 is a bottom plan view thereof.

1 Claim, 4 Drawing Sheets



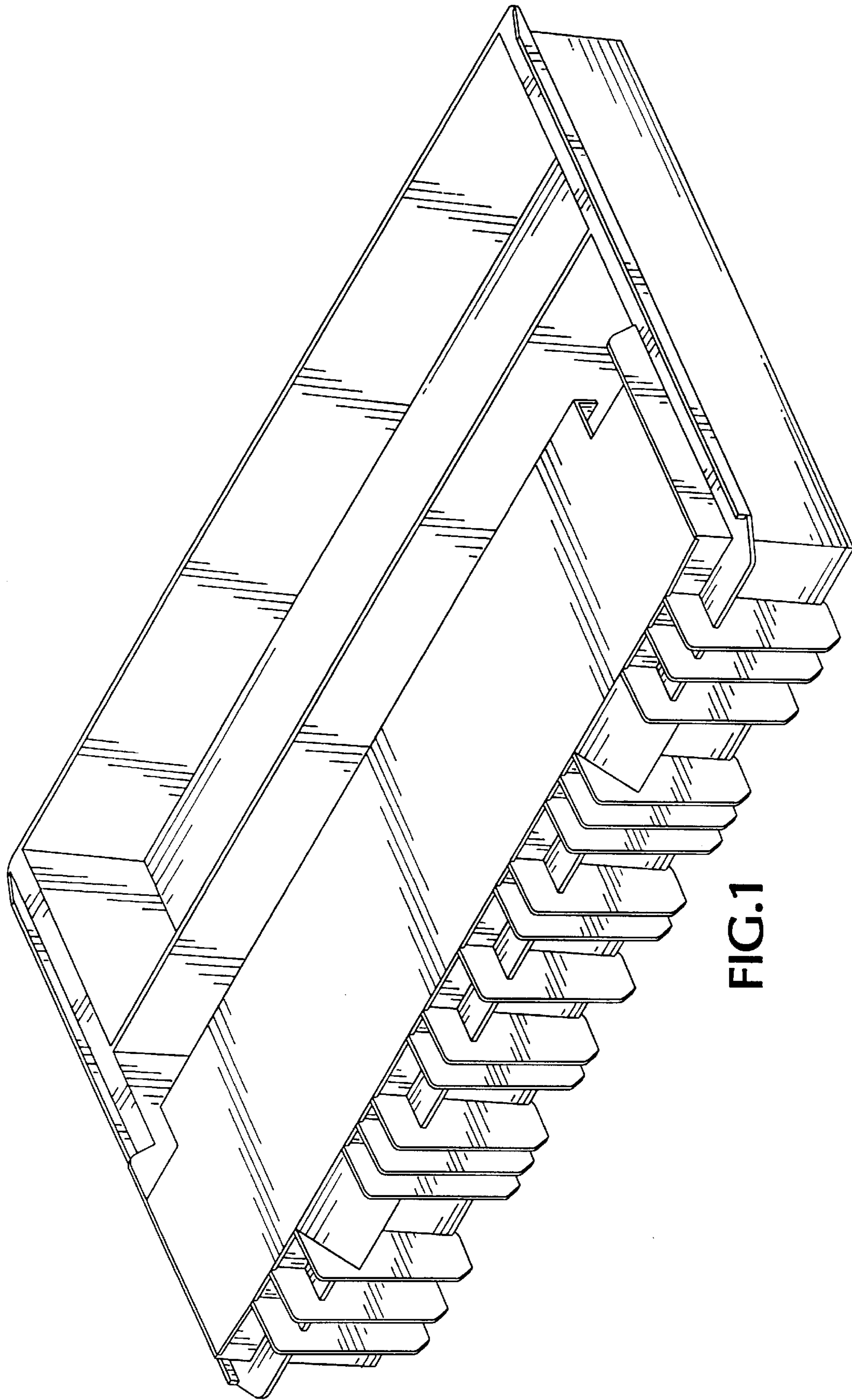


FIG.1

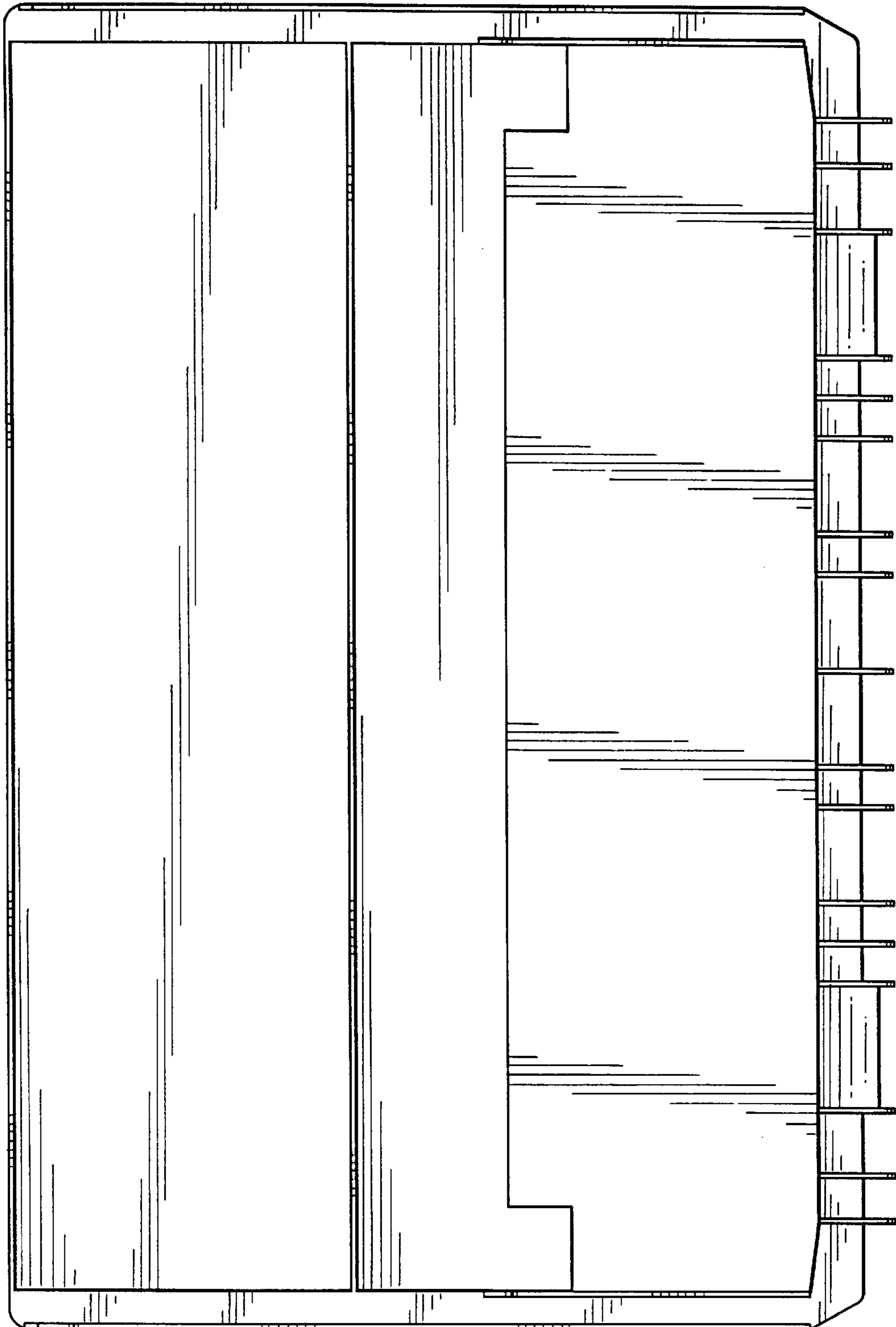


FIG.2

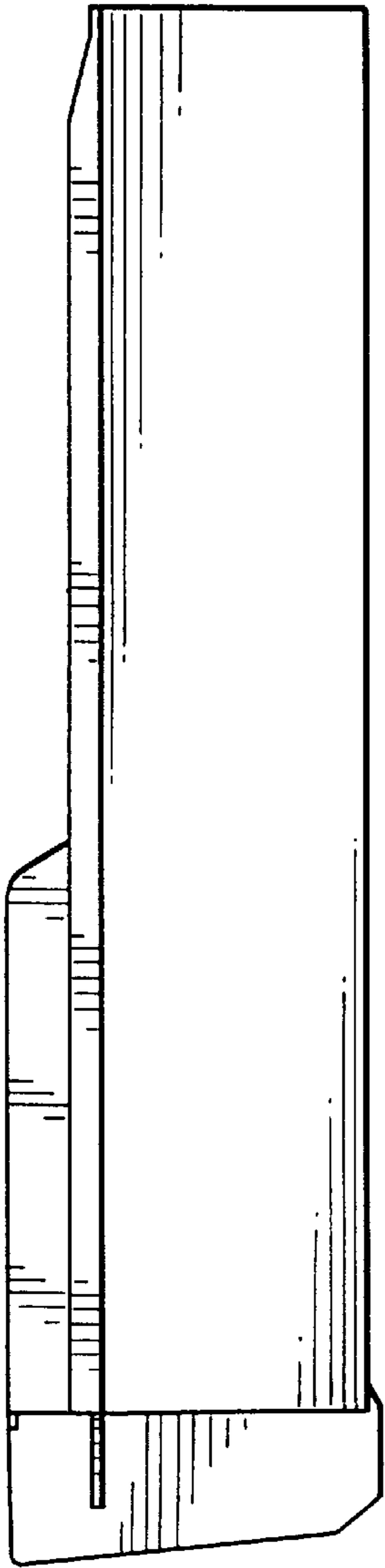


FIG. 3

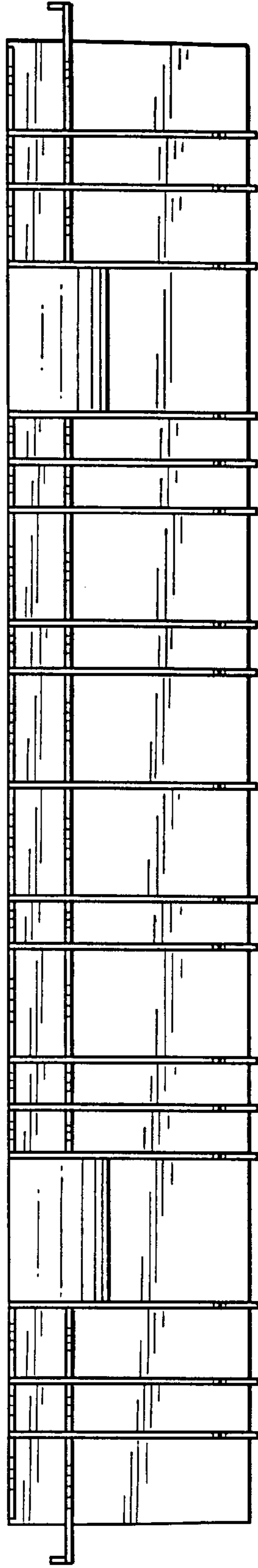


FIG. 4

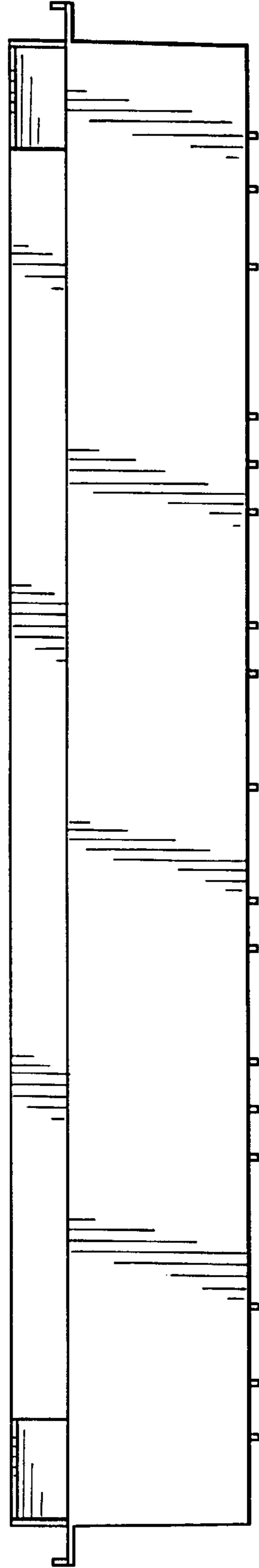


FIG. 5

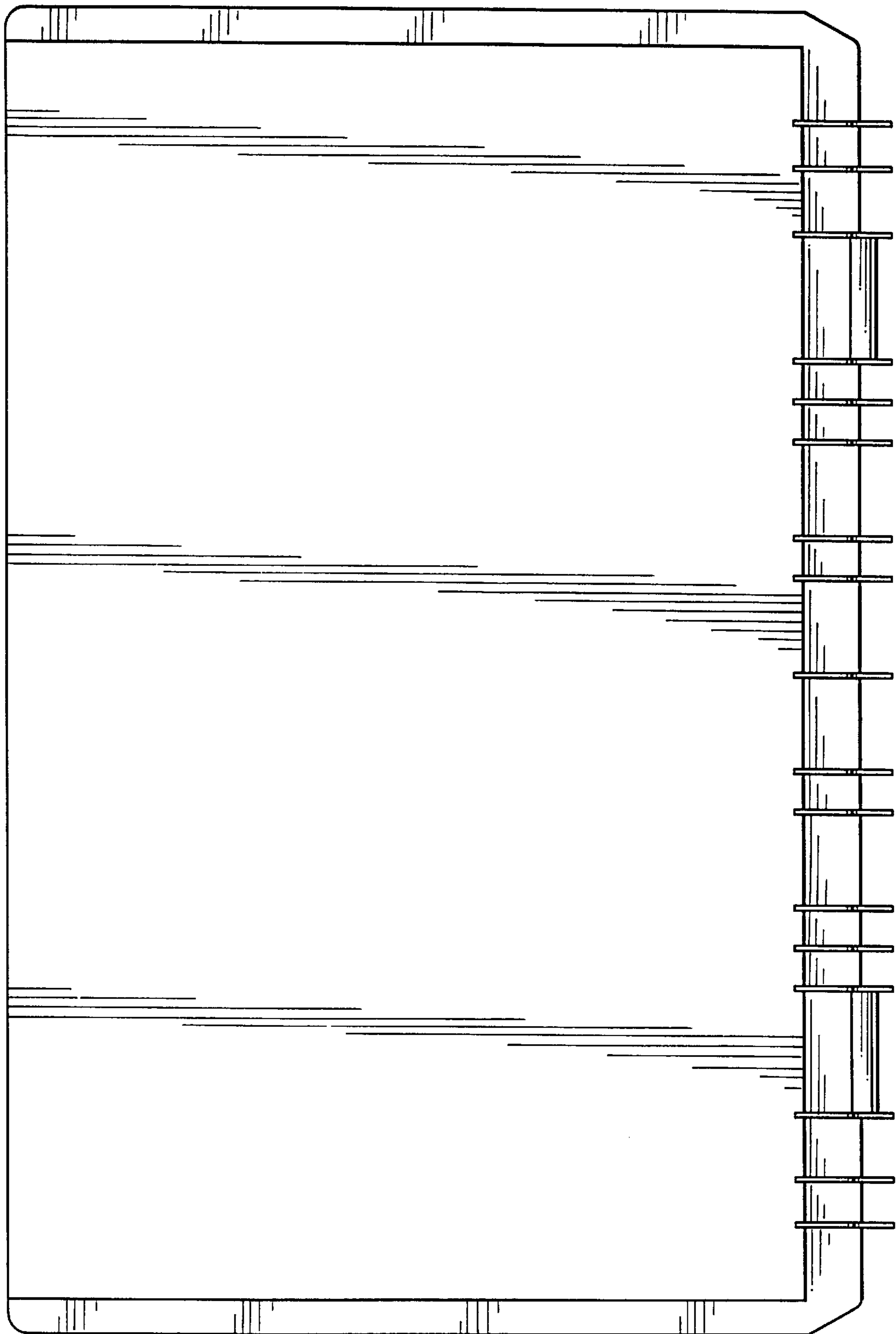


FIG.6