



US00D410947S

United States Patent [19]
Schwamkrug

[11] **Patent Number: Des. 410,947**
[45] **Date of Patent: ** Jun. 15, 1999**

[54] **TONER CONTAINER FOR PRINTER**

D. 379,829 6/1997 Hayashi D18/56

[75] Inventor: **Christian Schwamkrug**, Zell Am See, Austria

Primary Examiner—Caron D. Veynar
Attorney, Agent, or Firm—Loeb & Loeb LLP

[73] Assignee: **Kyocera Corporation**, Kyoto, Japan

[57] **CLAIM**

[**] Term: **14 Years**

The ornamental design for a toner container for printer, as shown and described.

[21] Appl. No.: **29/081,581**

[22] Filed: **Dec. 4, 1997**

DESCRIPTION

[30] **Foreign Application Priority Data**

Jun. 5, 1997 [JP] Japan 9-57107

FIG. 1 is a perspective view of the top, front and left side of a toner container for printer showing my new design;

[51] **LOC (6) Cl.** **16-03**

FIG. 2 is a front elevational view thereof;

[52] **U.S. Cl.** **D18/43; D18/56**

FIG. 3 is a top plan view thereof;

[58] **Field of Search** D18/36, 40, 43,
D18/56; 399/24, 25, 27, 28, 61, 99, 106,
262

FIG. 4 is a right side elevational view thereof;

FIG. 5 is a left side elevational view thereof;

FIG. 6 is a rear elevational view thereof; and,

FIG. 7 is a bottom plan view thereof.

[56] **References Cited**

U.S. PATENT DOCUMENTS

D. 366,277 1/1996 Kawamura D18/43

1 Claim, 6 Drawing Sheets

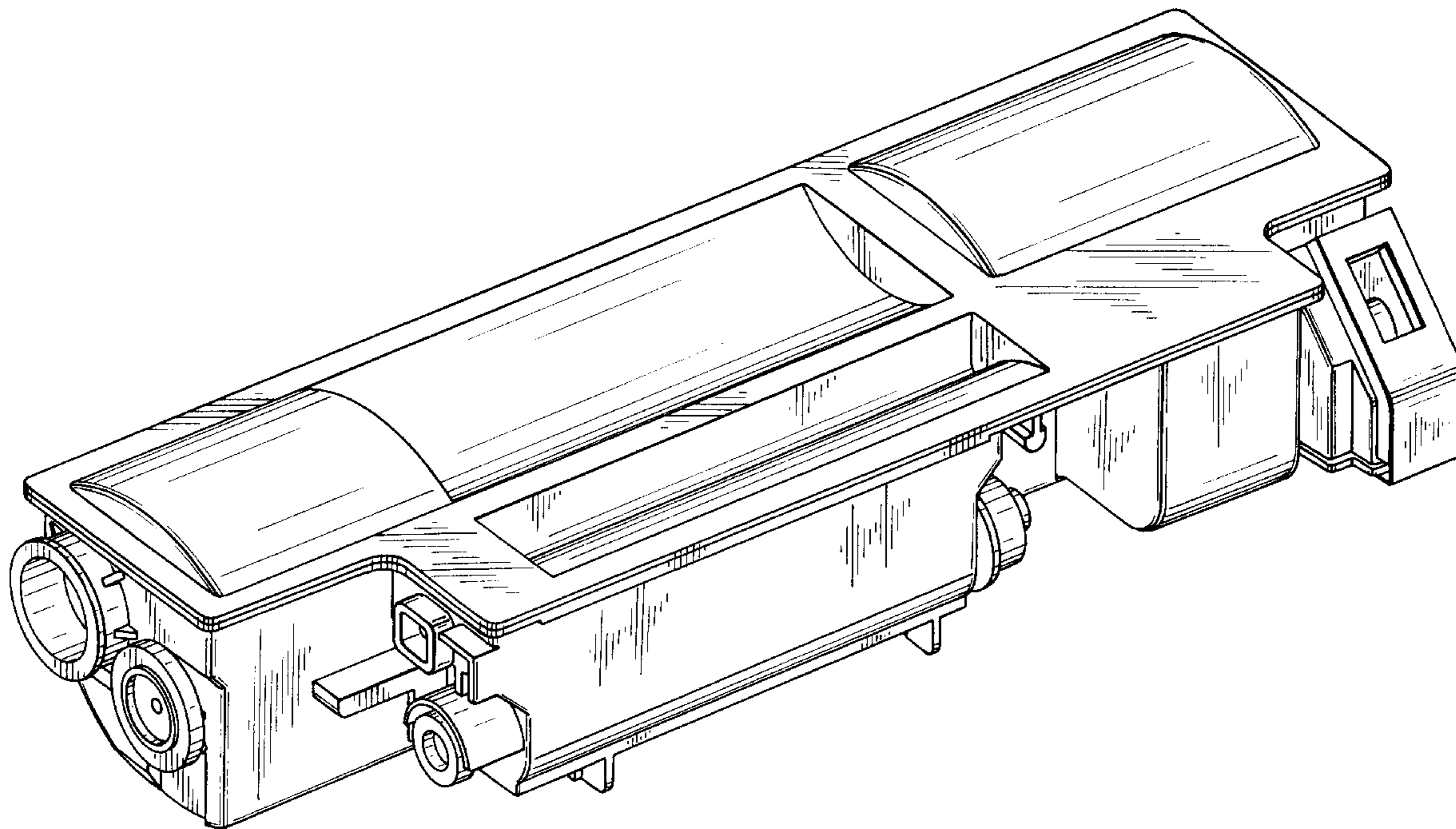


FIG. 1

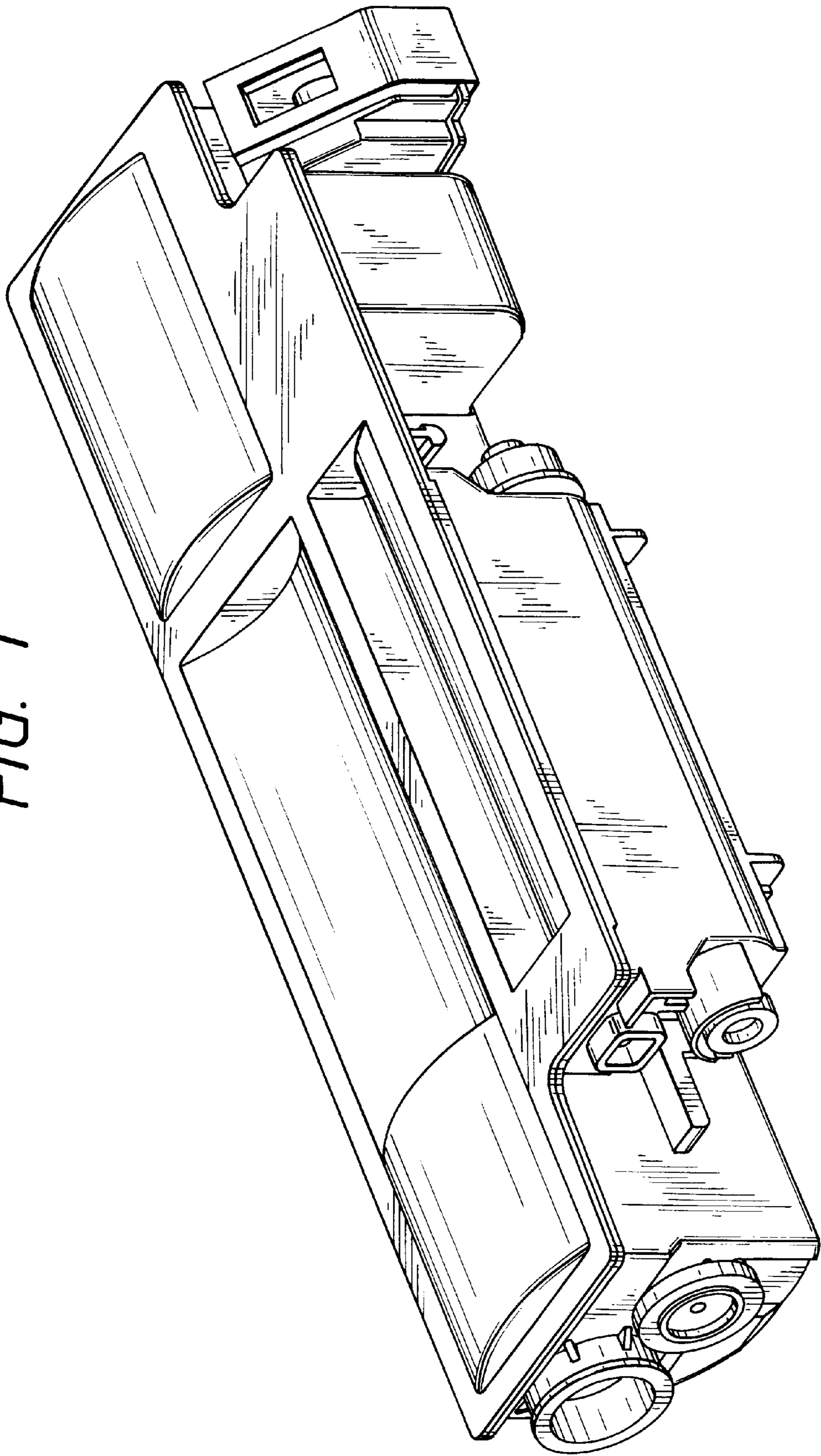


FIG. 2

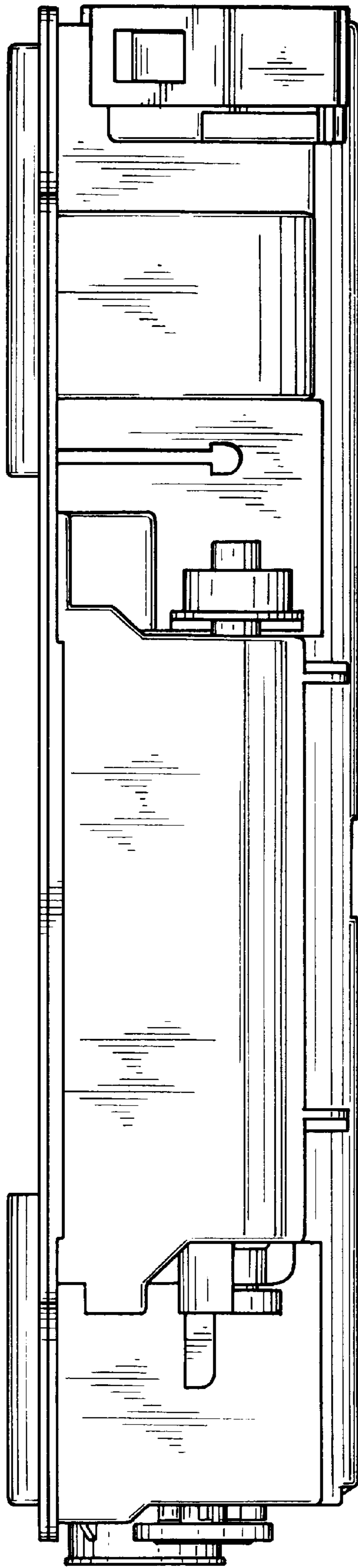


FIG. 3

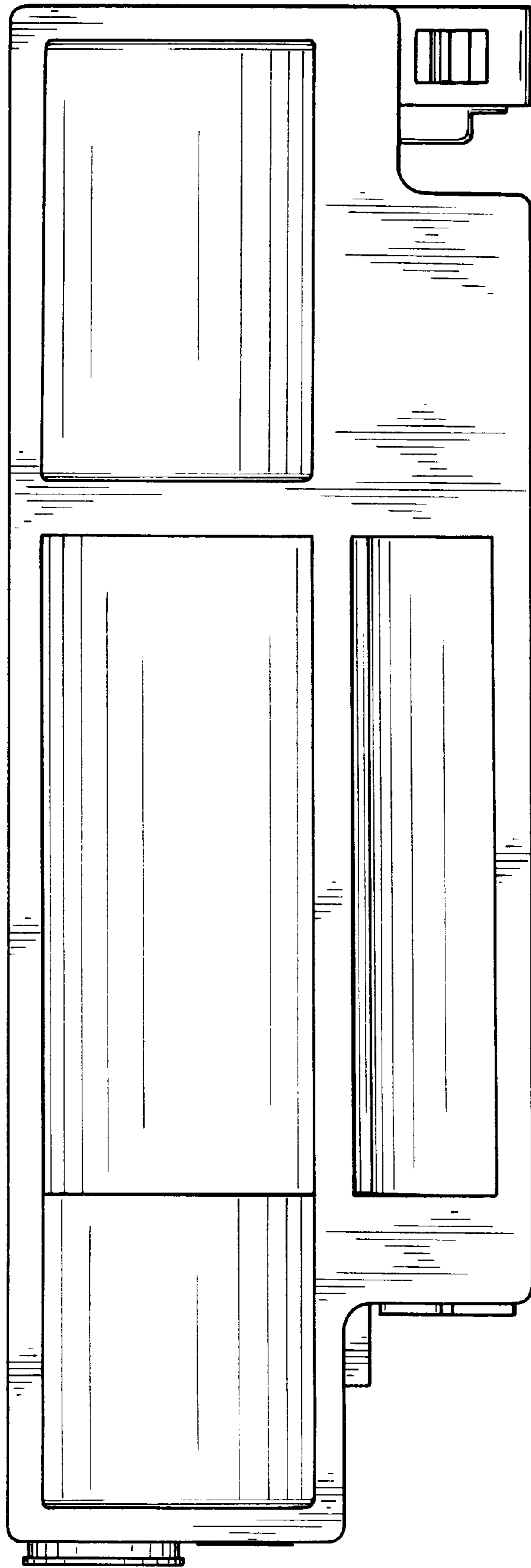


FIG. 4

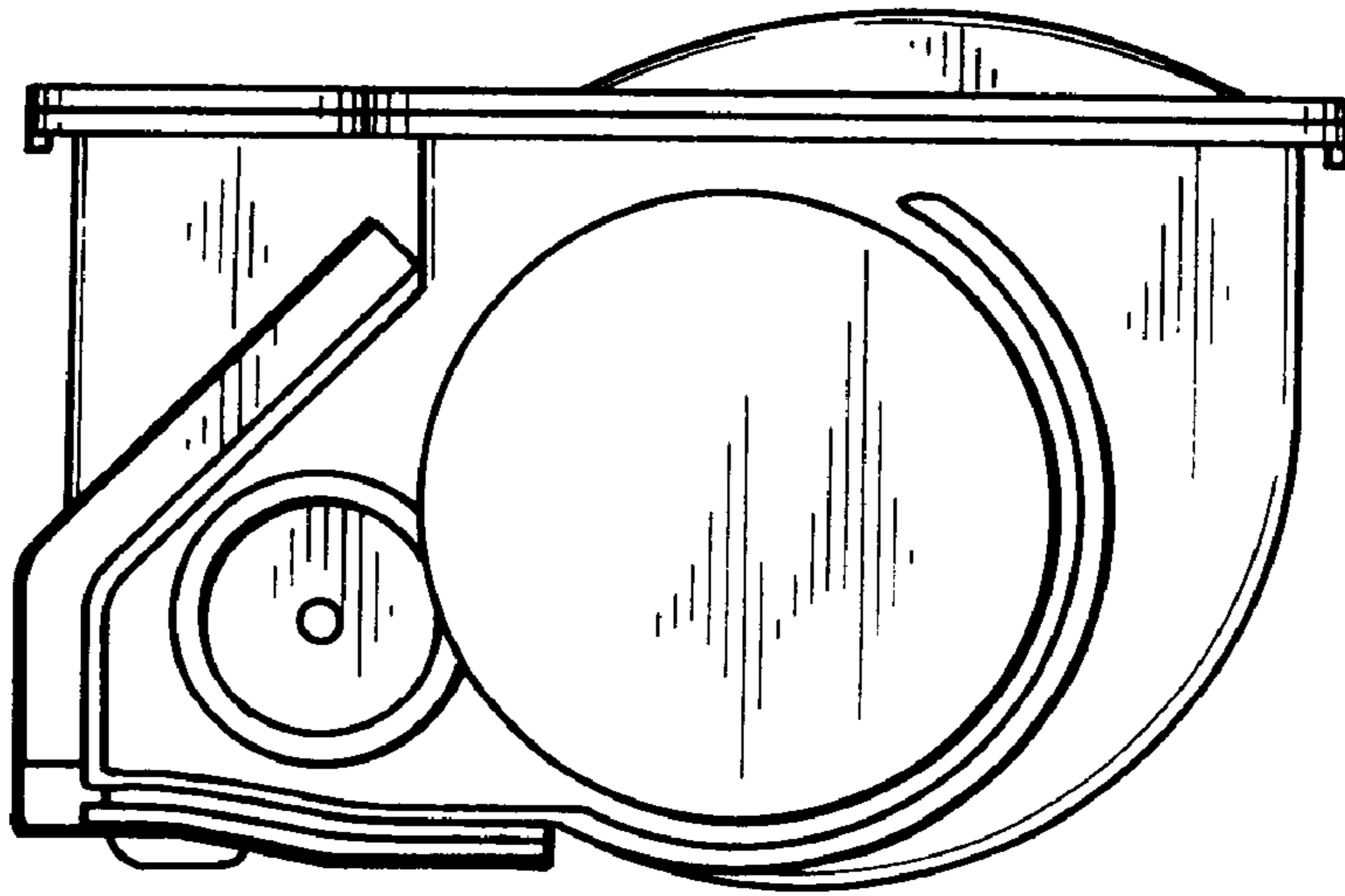


FIG. 5

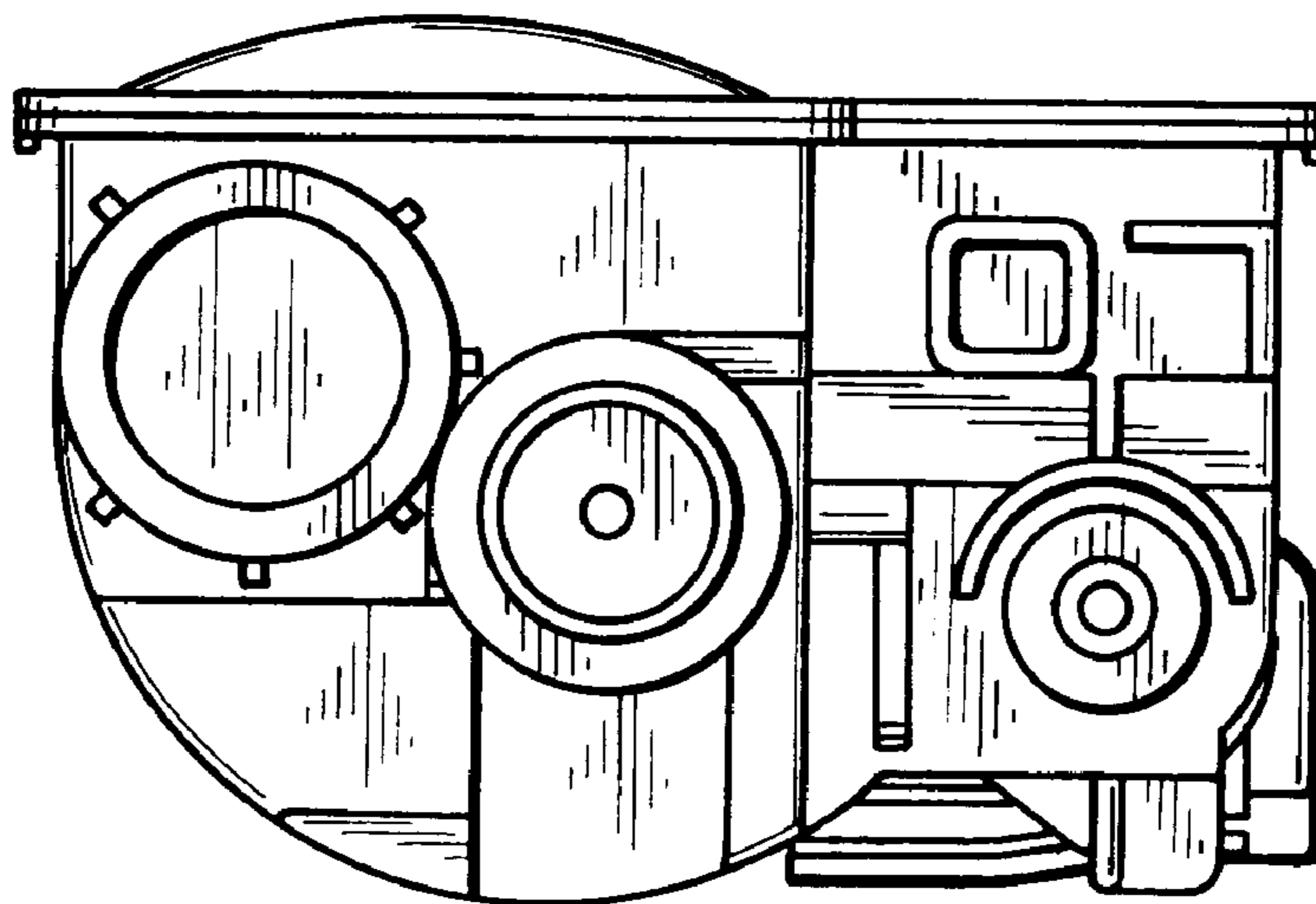


FIG. 6

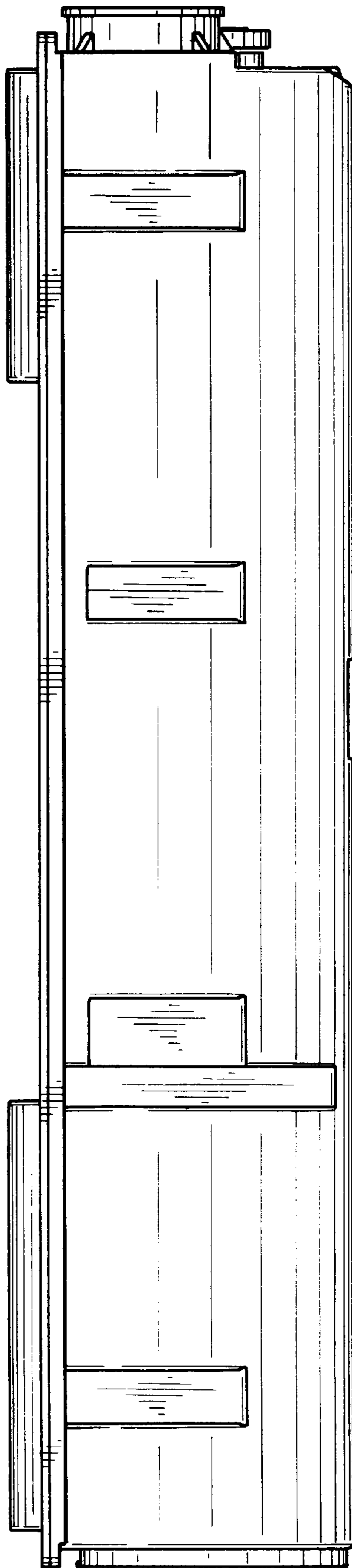


FIG. 7

