



US00D410945S

# United States Patent [19] Chu

[11] Patent Number: Des. 410,945

[45] Date of Patent: \*\* Jun. 15, 1999

[54] STATIONERY CASE AND CALCULATOR

[76] Inventor: **Tung Chen Chu**, 2Fl., No.32, Yu Cheng St., Taipei, Taiwan

[\*\*] Term: **14 Years**

[21] Appl. No.: **29/093,237**

[22] Filed: **Sep. 4, 1998**

[51] LOC (6) Cl. .... **18-01**

[52] U.S. Cl. .... **D18/2; D19/78; D19/88**

[58] Field of Search ..... D18/1, 2, 6, 7, D18/11; D19/78, 88; 364/705.01, 705.06, 705.07, 706-710

[56] **References Cited**

**U.S. PATENT DOCUMENTS**

D. 285,392	9/1986	Thompson	.....	D6/399
D. 313,819	1/1991	Craft, Jr. et al.	.....	D19/88
D. 324,399	3/1992	Murphy	.....	D19/88
D. 353,399	12/1994	Dodge	.....	D19/88
D. 354,772	1/1995	Flickinger et al.	.....	D19/88
D. 356,823	3/1995	Tarozzi	.....	D19/36
D. 360,649	7/1995	Volk	.....	D19/36
D. 383,496	9/1997	Siegel et al.	.....	D19/88

*Primary Examiner*—Caron D. Veynar  
*Attorney, Agent, or Firm*—Rosenberg, Klein & Bilker

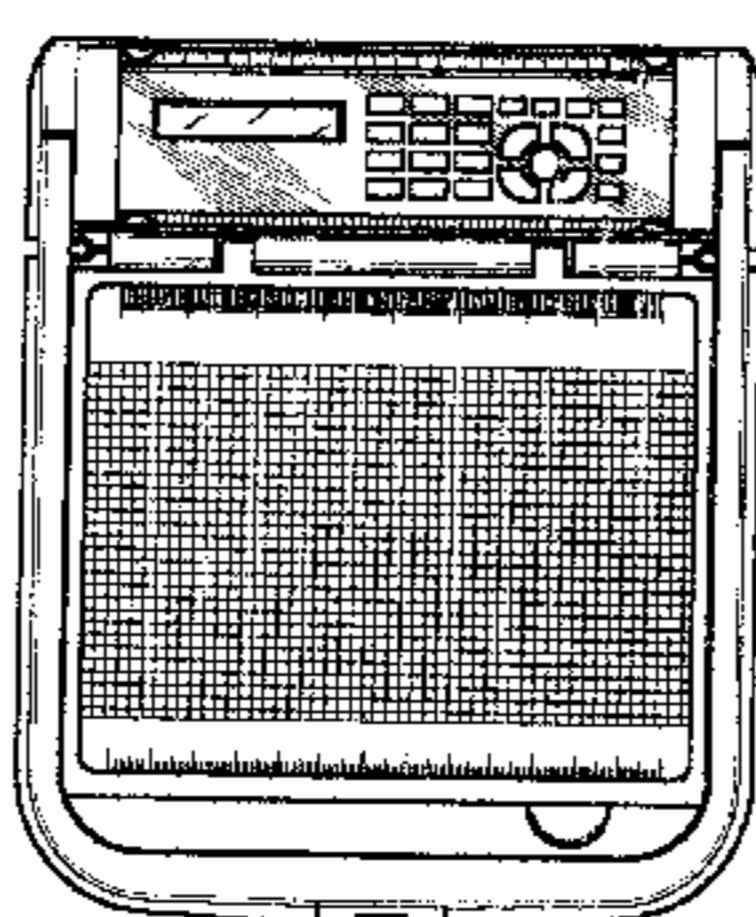
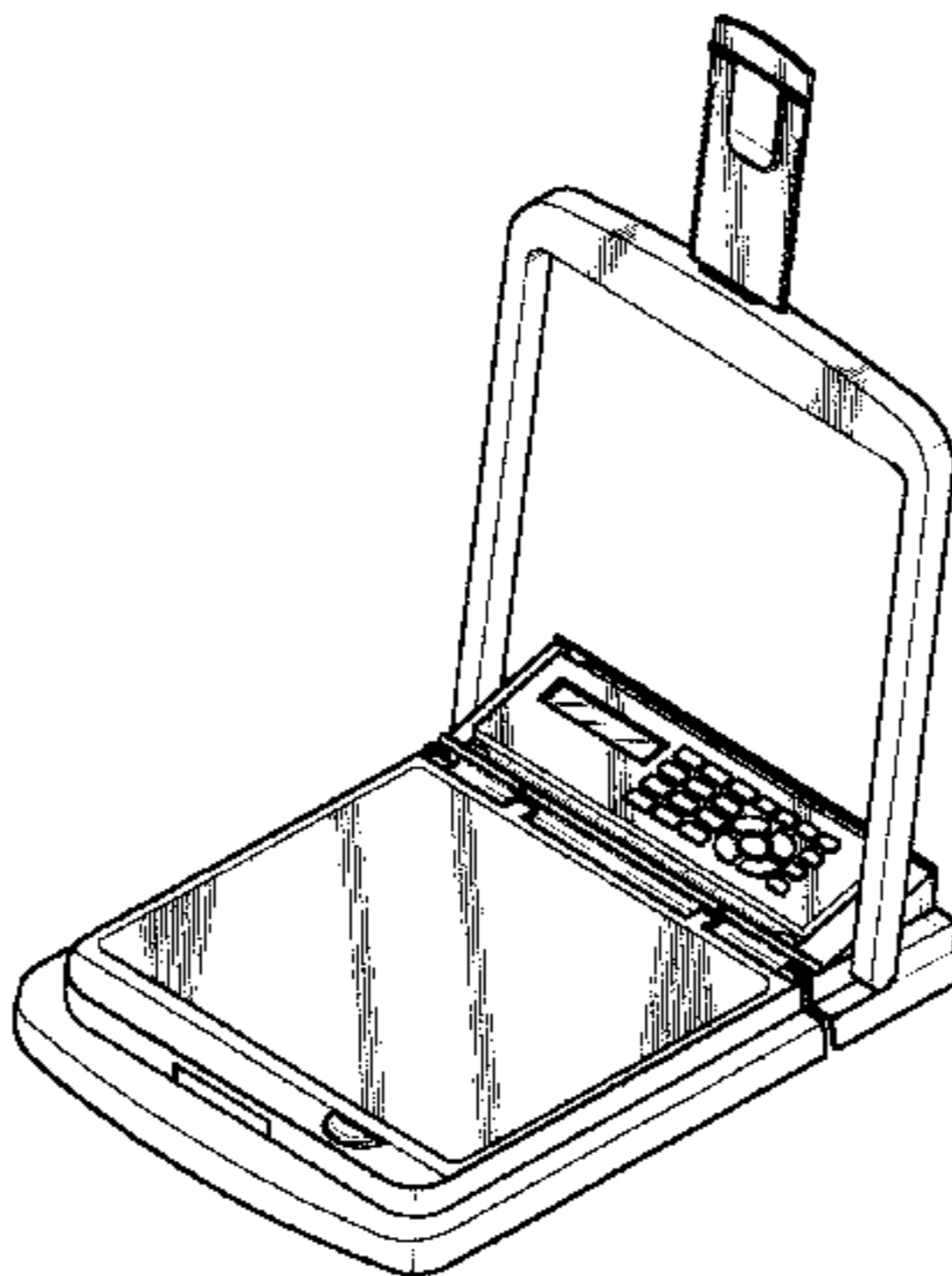
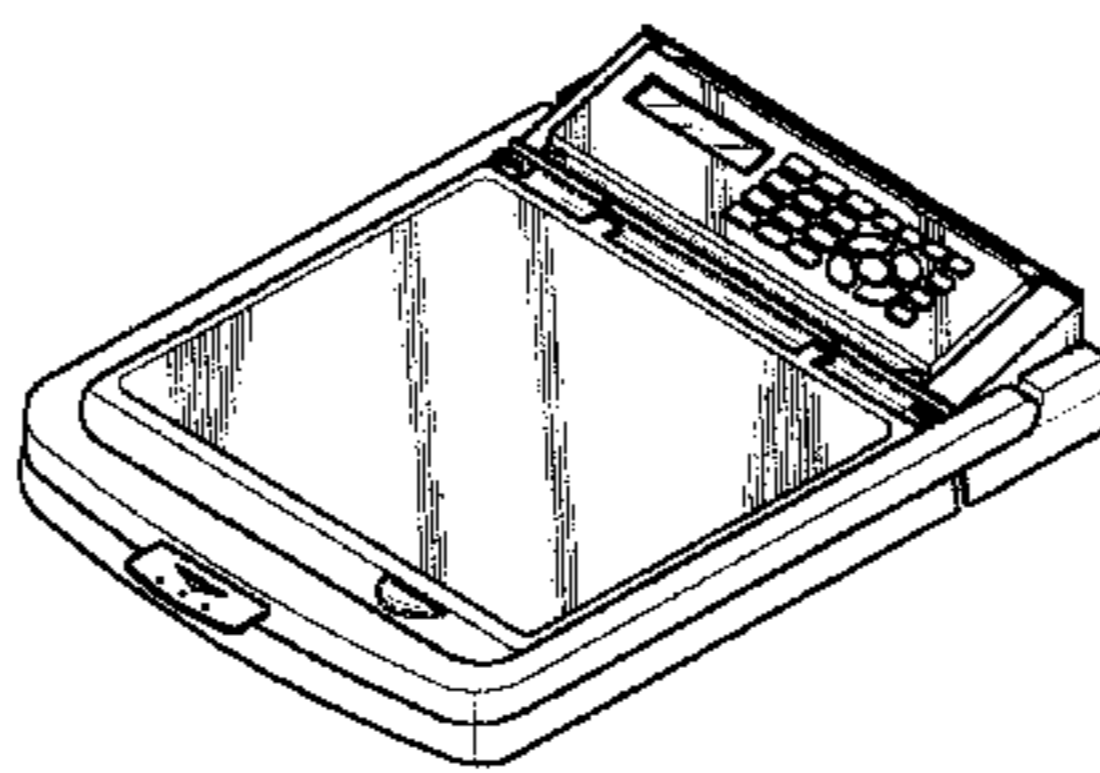
[57] **CLAIM**

The ornamental design for a stationery case and calculator, as shown and described.

**DESCRIPTION**

FIG. 1 is the perspective view of a stationery case and calculator showing my new design;  
 FIG. 2 is the front elevational view thereof;  
 FIG. 3 is the rear elevational view thereof;  
 FIG. 4 is the left side elevational view thereof;  
 FIG. 5 is the right side elevational view thereof;  
 FIG. 6 is the top plan view thereof;  
 FIG. 7 is the bottom plan view thereof;  
 FIG. 8 is the perspective view thereof, with the cover shown open;  
 FIG. 9 is the perspective view showing an alternate position; and,  
 FIG. 10 is a perspective view of a second embodiment, with the front, rear, left side, right side and bottom view being identical to FIGS. 2-5 and 7.

**1 Claim, 7 Drawing Sheets**



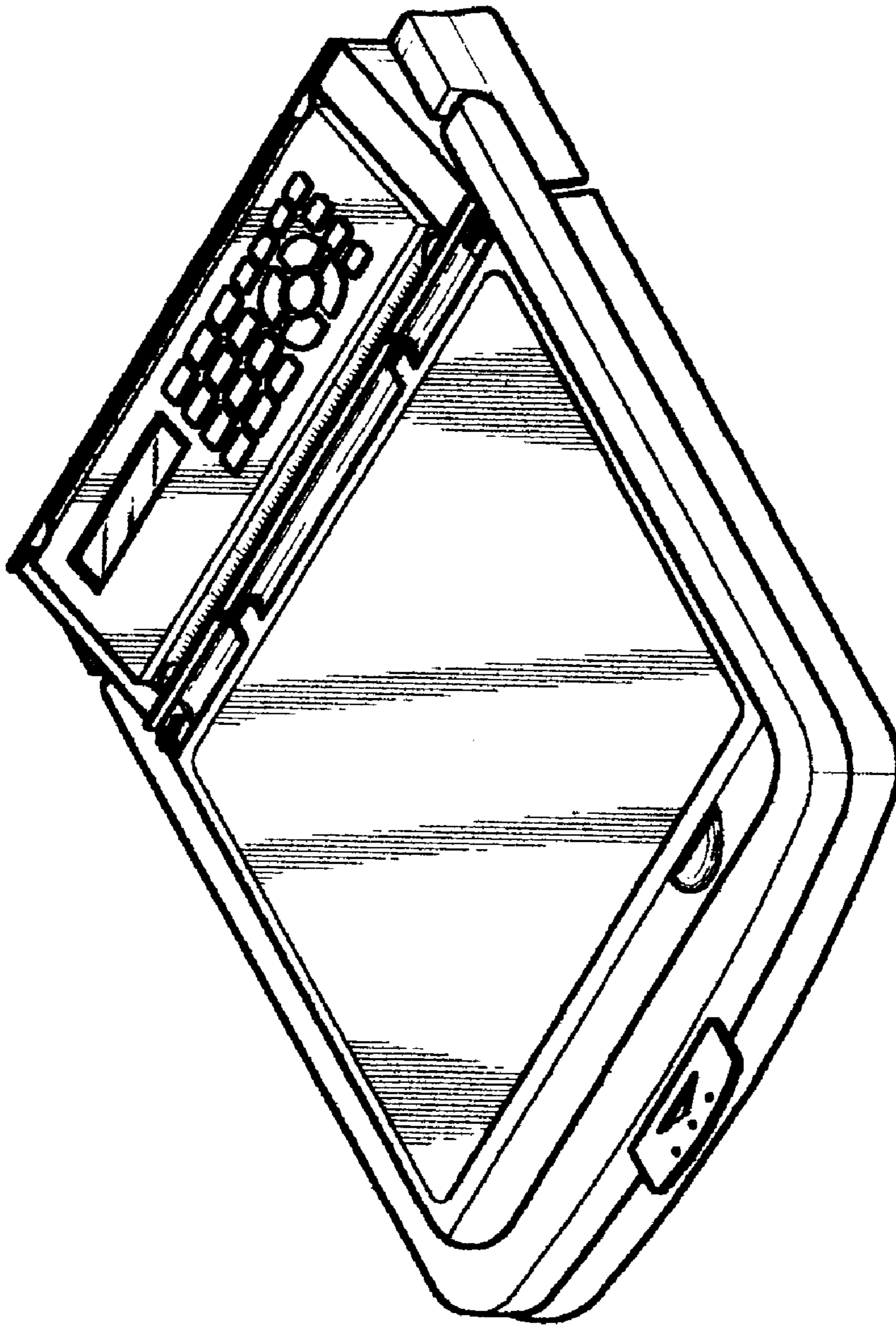


Fig. 1

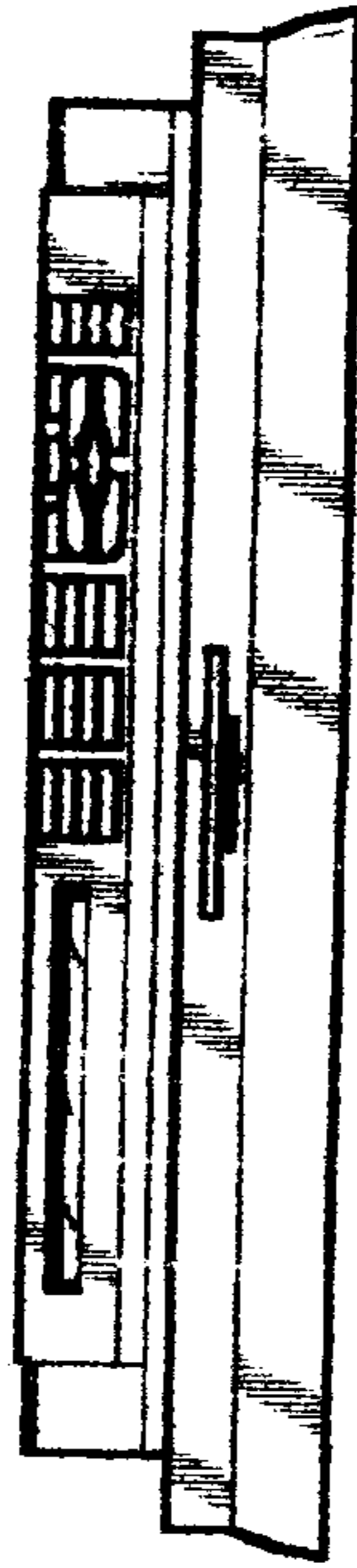


Fig. 2

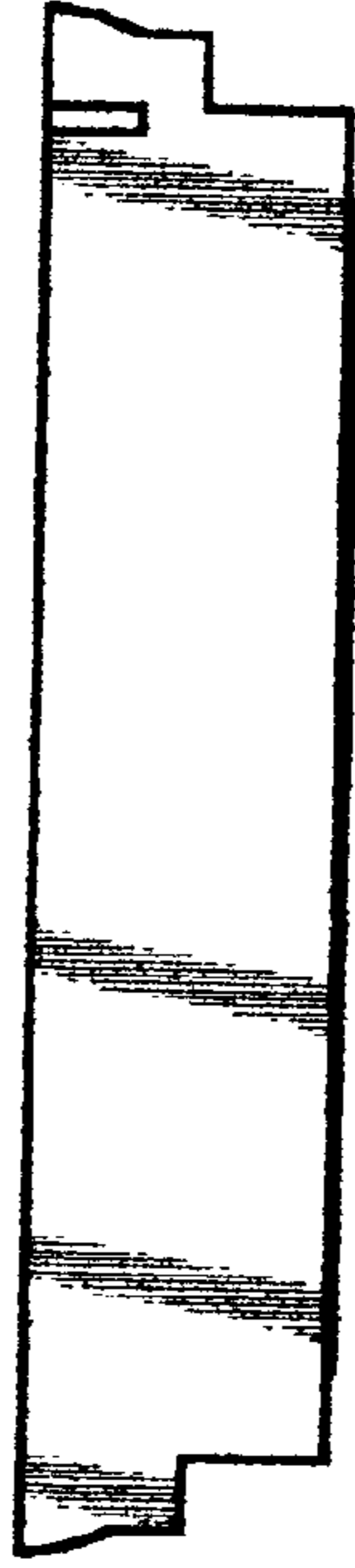


Fig. 3

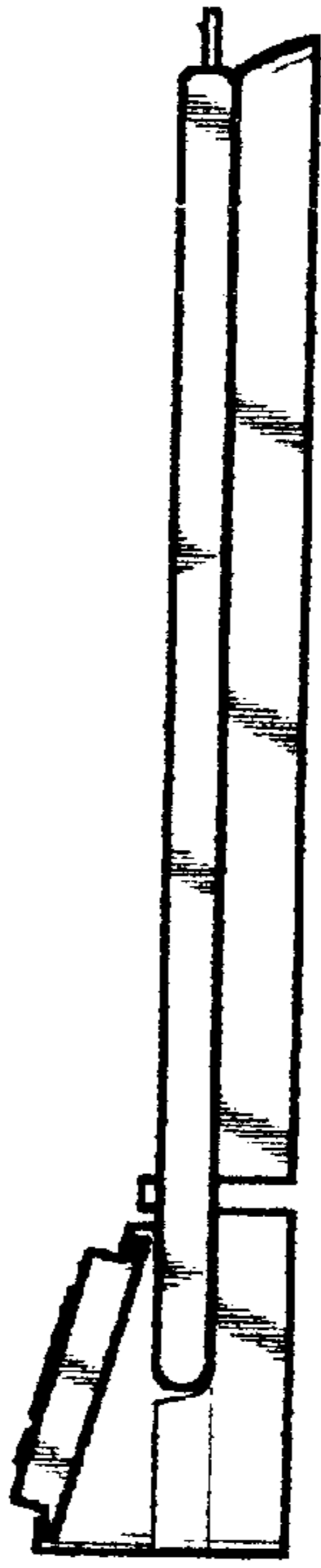


Fig. 4

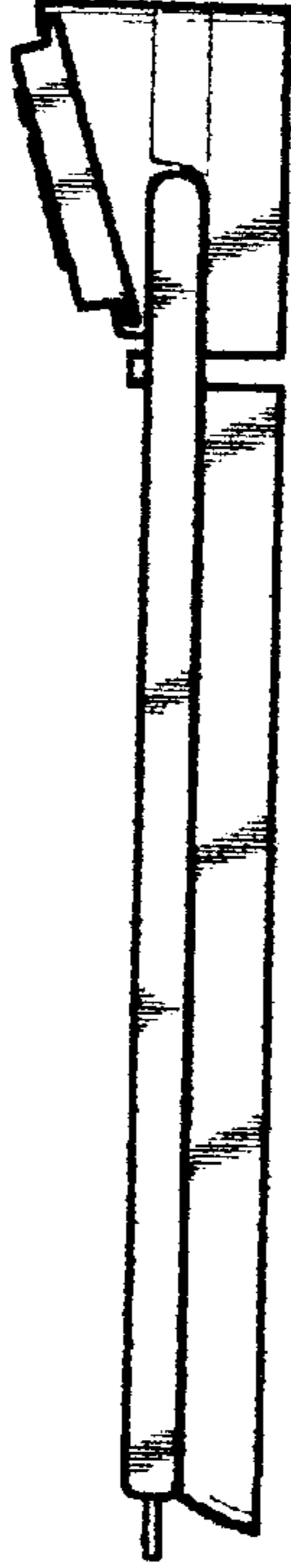


Fig. 5

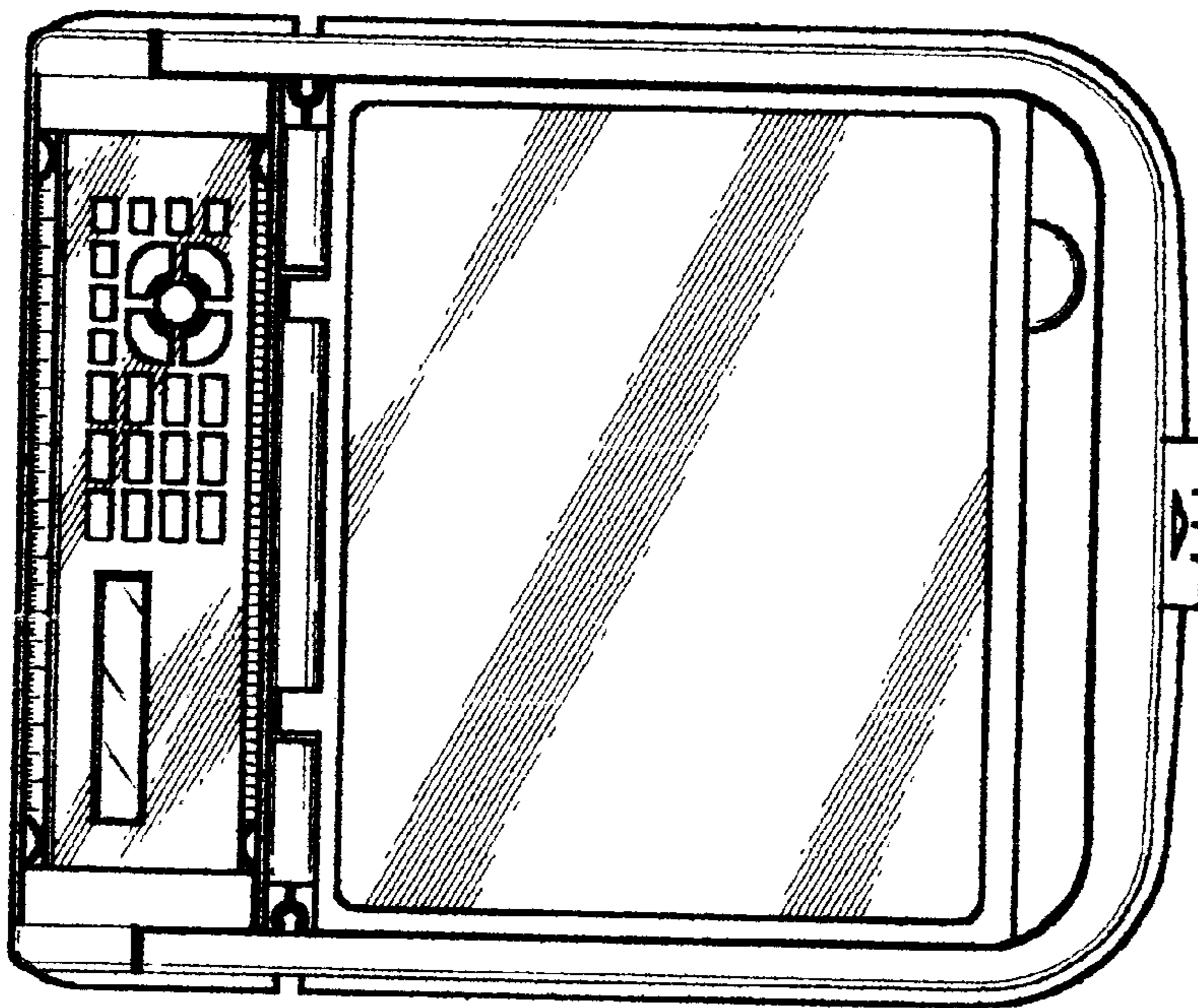


Fig. 6

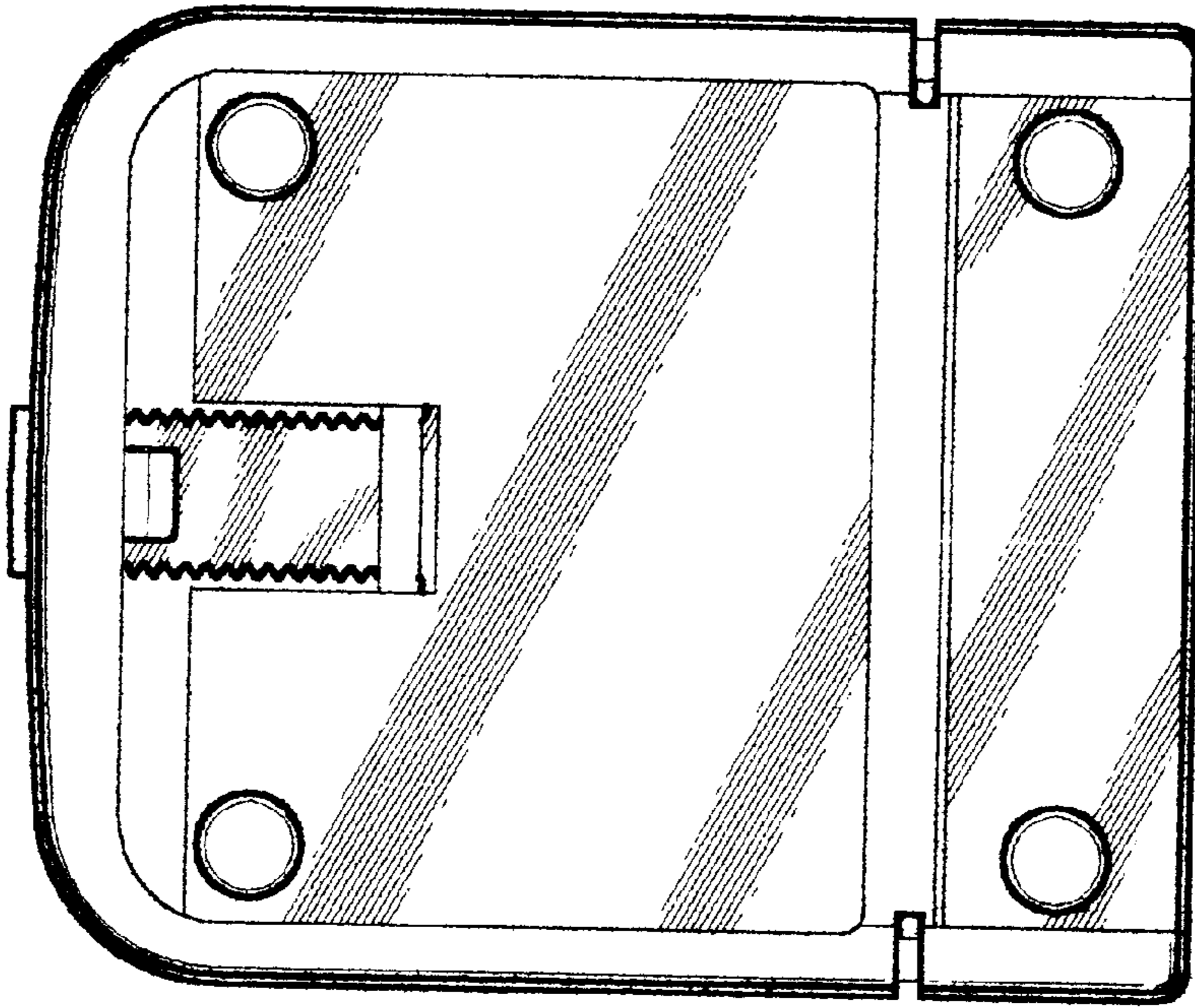


Fig. 7

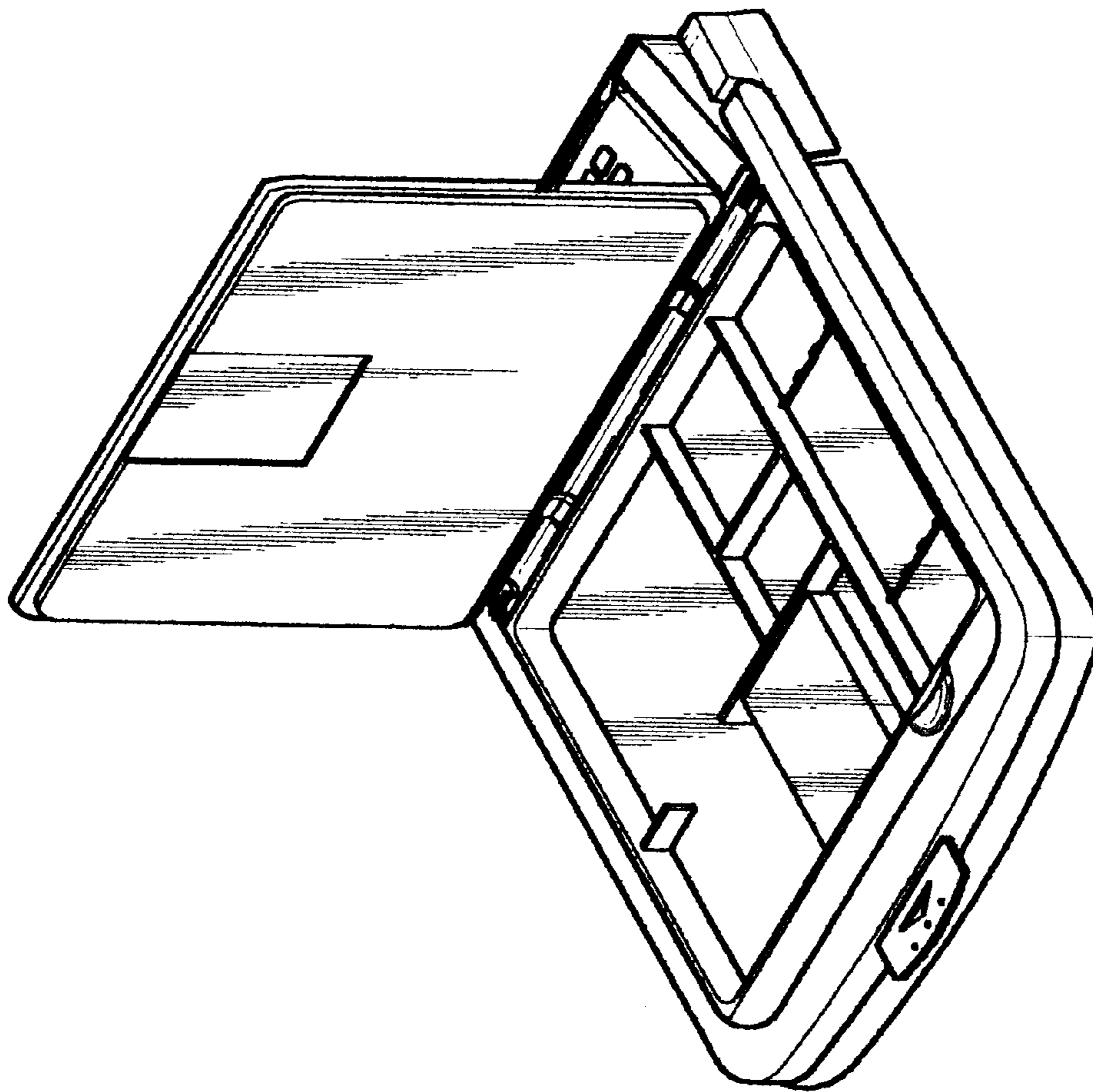


Fig. 8

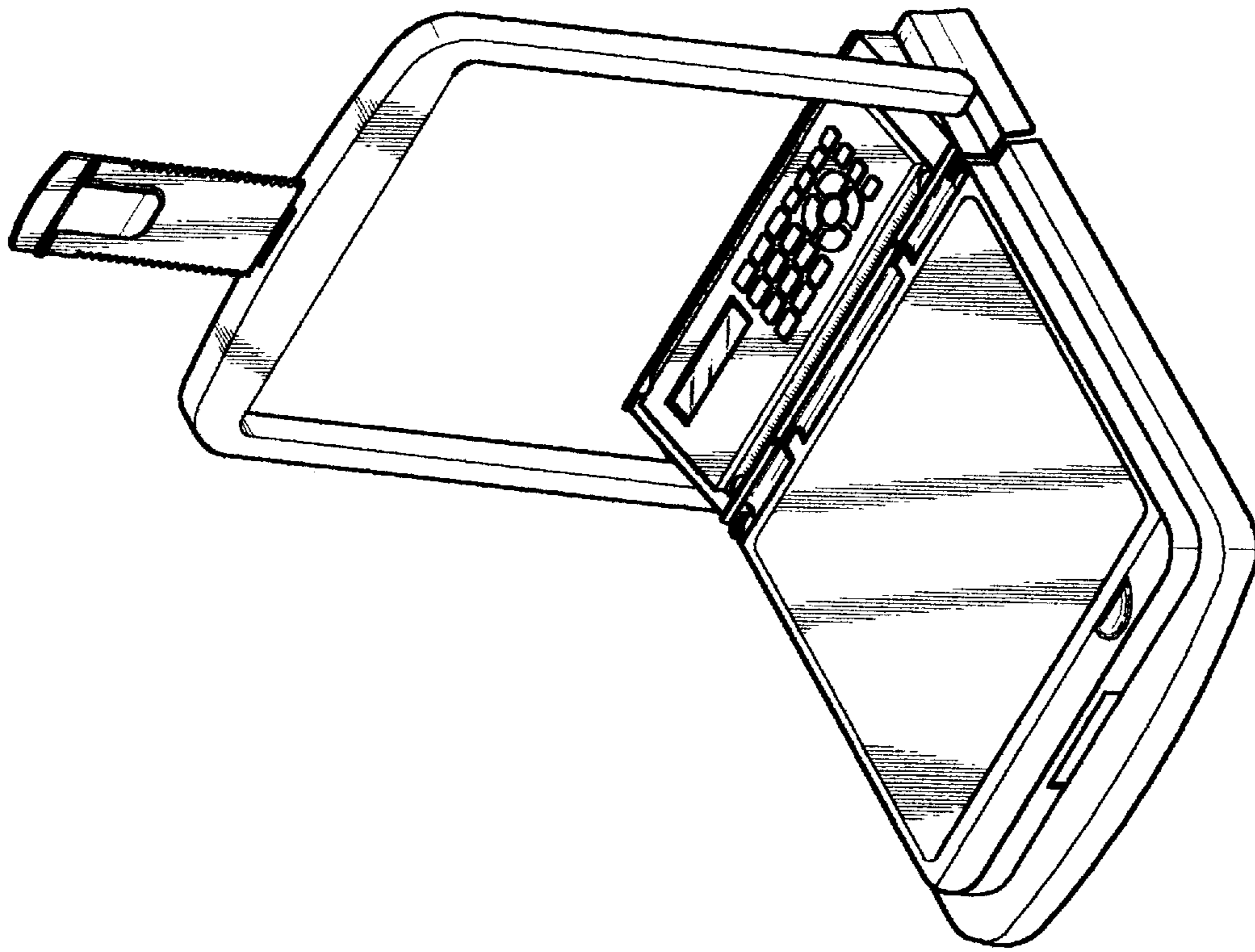


Fig. 9

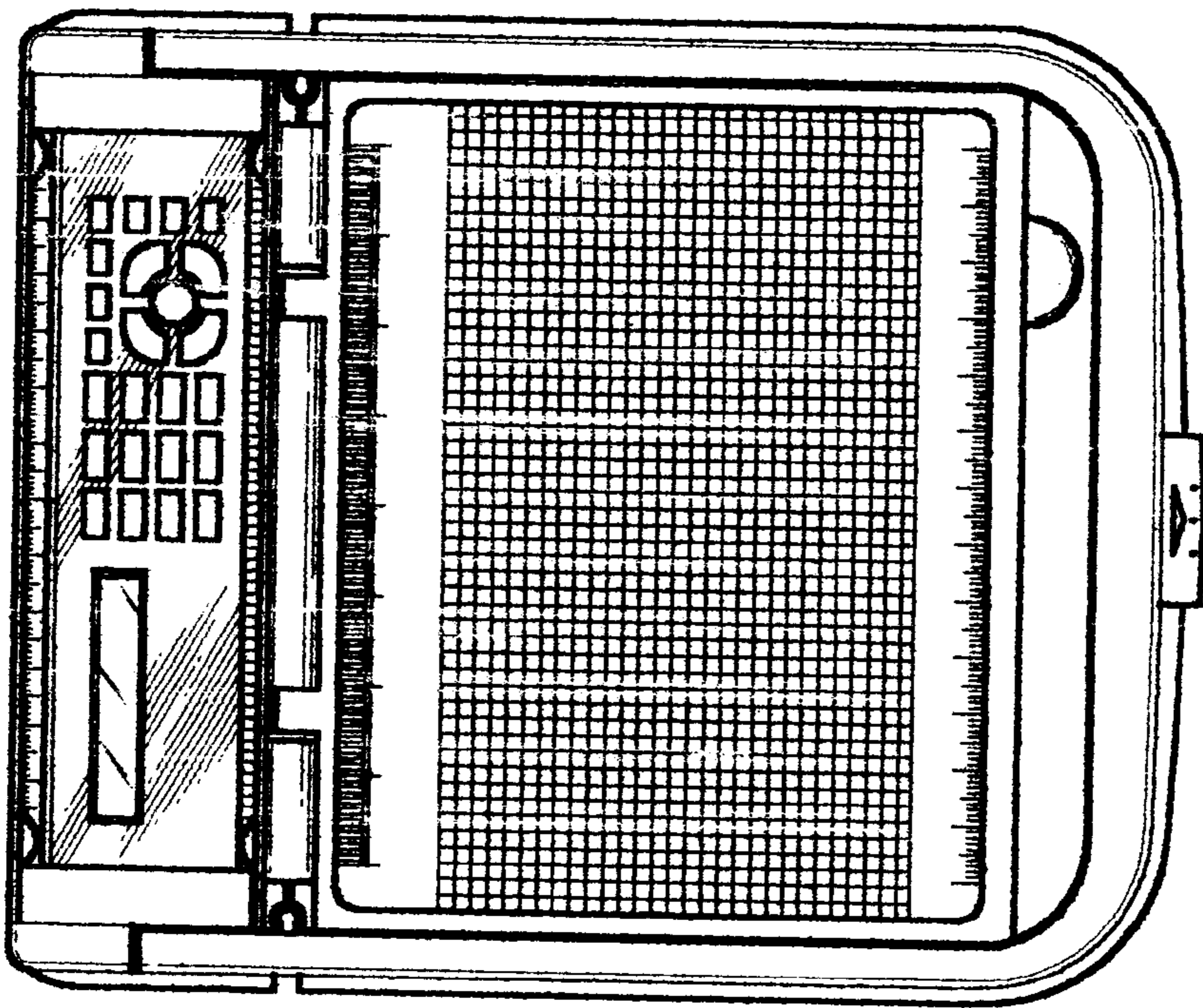


Fig. 10