



US00D410944S

United States Patent [19]

[11] **Patent Number: Des. 410,944**

Bedol et al.

[45] **Date of Patent: ** Jun. 15, 1999**

[54] **ELECTRONIC CALCULATOR**

[75] Inventors: **Mark A. Bedol**, P.O. Box 1268, Claremont, Calif. 91711; **Afshin Toussi**, Santa Ana, Calif.

[73] Assignee: **Mark A. Bedol**, Claremont, Calif.

[**] Term: **14 Years**

[21] Appl. No.: **29/085,551**

[22] Filed: **Mar. 25, 1998**

[51] **LOC (6) Cl.** **18-01**

[52] **U.S. Cl.** **D18/2; D10/71**

[58] **Field of Search** **D18/2, 6, 7; D10/64, D10/62, 70, 71; 235/61 R; 364/705-710**

[56] **References Cited**

U.S. PATENT DOCUMENTS

D. 207,794	5/1967	Cherrington	D10/62
D. 322,039	12/1991	Chien	D10/64
D. 398,250	9/1998	Dietterich et al.	D10/64

Primary Examiner—Caron D. Veynar

[57] **CLAIM**

The ornamental design for an electronic calculator, as shown and described.

DESCRIPTION

FIG. 1 is a front, left, and top perspective view of an electronic calculator, showing our new design;

FIG. 2 is a front elevation view thereof,

FIG. 3 is a rear elevation view thereof,

FIG. 4 is a top view thereof,

FIG. 5 is a bottom elevation view thereof,

FIG. 6 is a left side view thereof,

FIG. 7 is a right side view thereof,

FIG. 8 is a front, left, and top perspective view of an electronic calculator, showing an alternative embodiment of our new design;

FIG. 9 is a front elevation view of our alternative embodiment thereof,

FIG. 10 is a rear elevation view of the alternative embodiment thereof,

FIG. 11 is a top view of the alternative embodiment thereof,

FIG. 12 is a bottom elevation view of the alternative embodiment thereof,

FIG. 13 is a left side view of the alternative embodiment thereof,

FIG. 14 is a right side view of the alternative embodiment thereof,

FIG. 15 is a front, left, and top perspective view of an electronic calculator, showing a second alternative embodiment of our new design;

FIG. 16 is a front elevation view of the second alternative embodiment thereof,

FIG. 17 is a rear elevation view of the second alternative embodiment thereof,

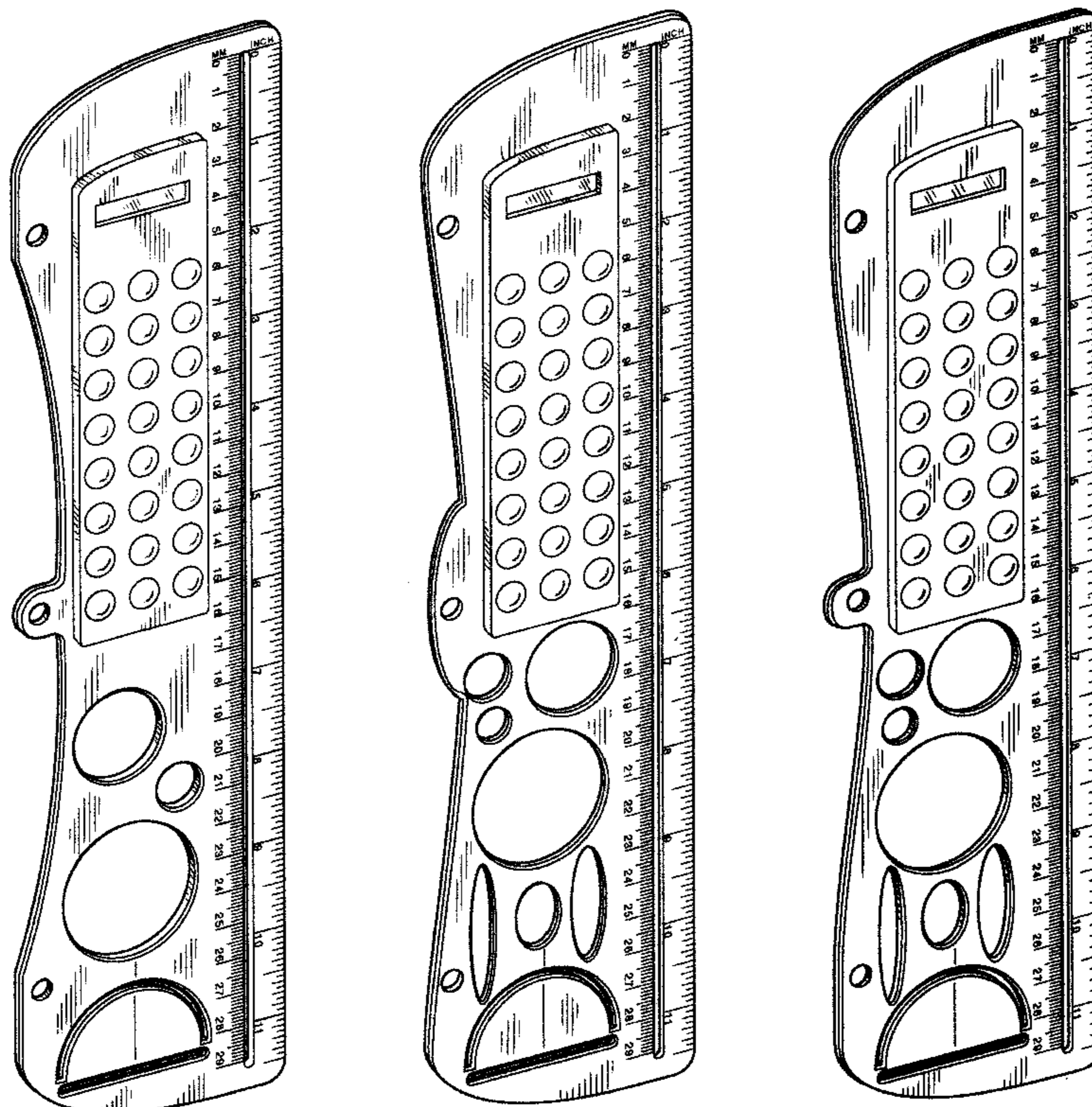
FIG. 18 is a top view of the second alternative embodiment thereof,

FIG. 19 is a bottom elevation view of the second alternative embodiment thereof,

FIG. 20 is a left side view of the second alternative embodiment thereof; and,

FIG. 21 is a right side view of the second alternative embodiment thereof.

1 Claim, 6 Drawing Sheets



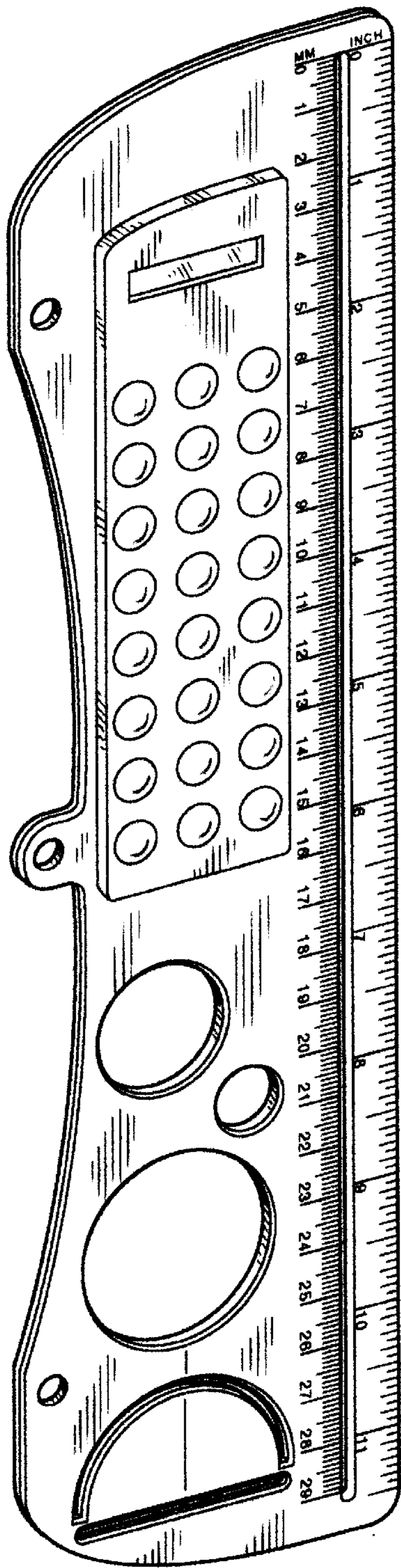


FIG. 1

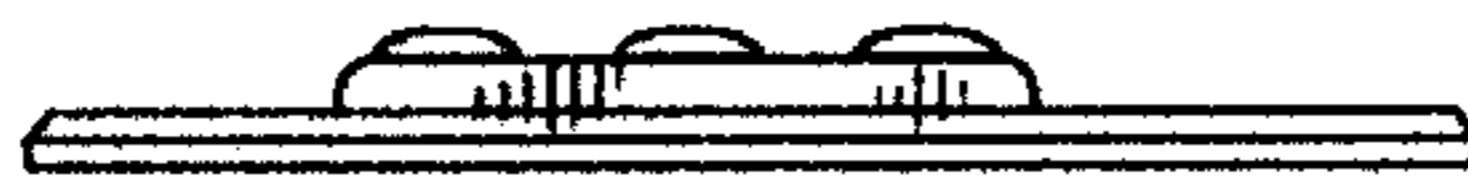


FIG. 4

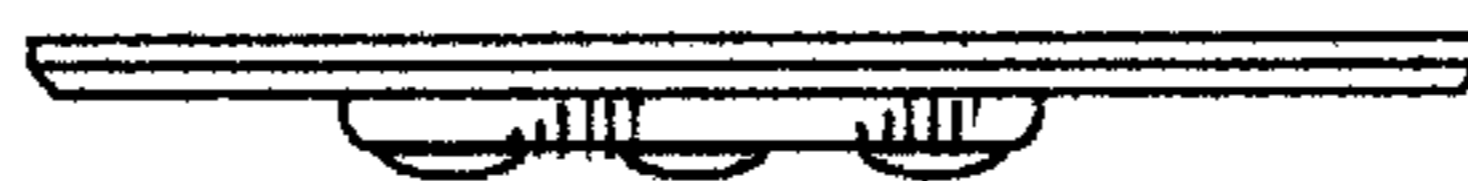


FIG. 5



FIG. 6



FIG. 7

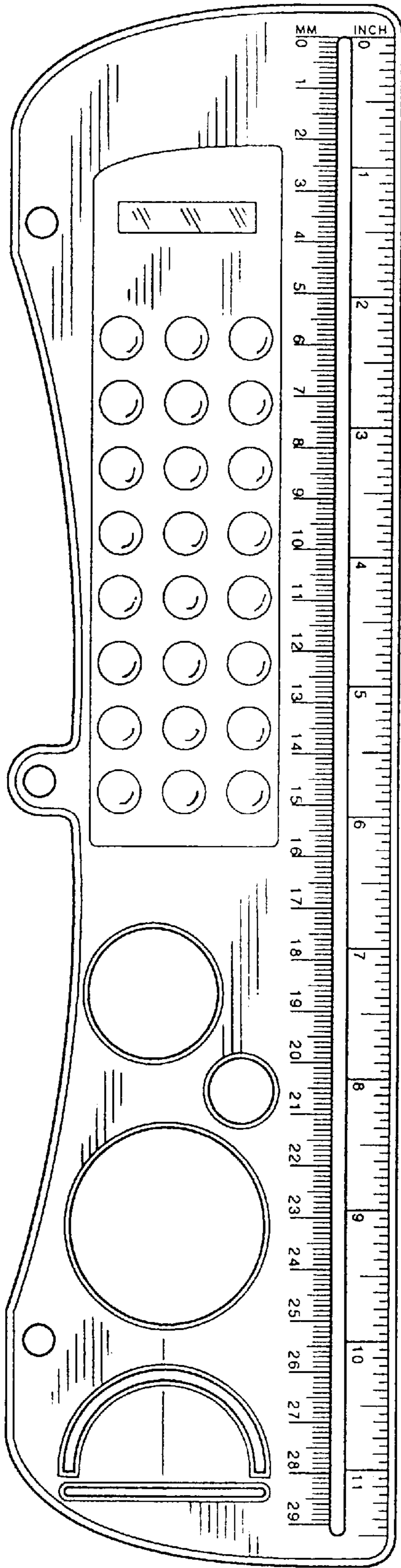


FIG. 2

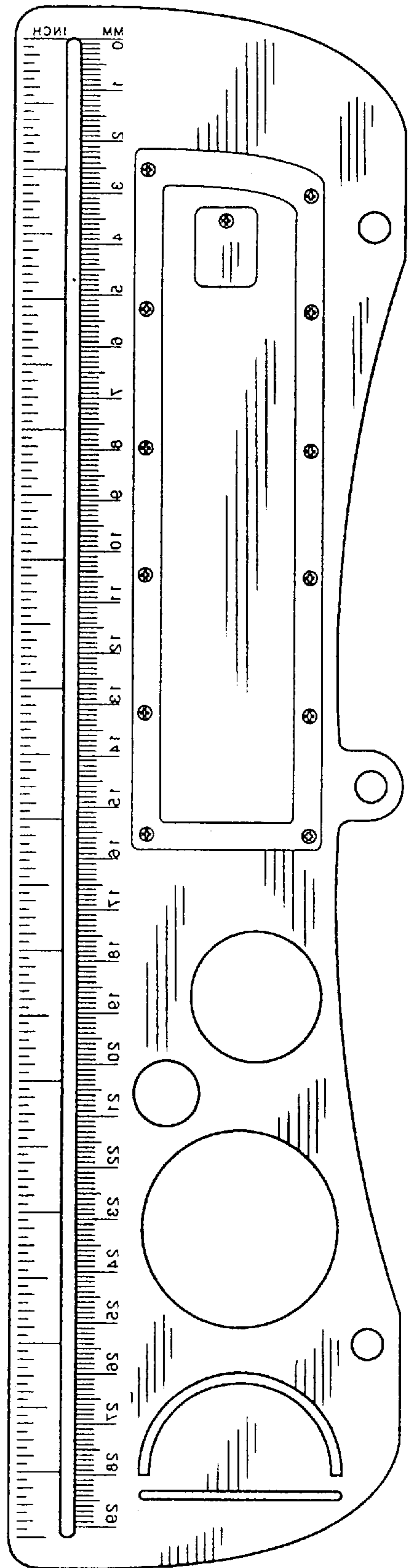


FIG. 3

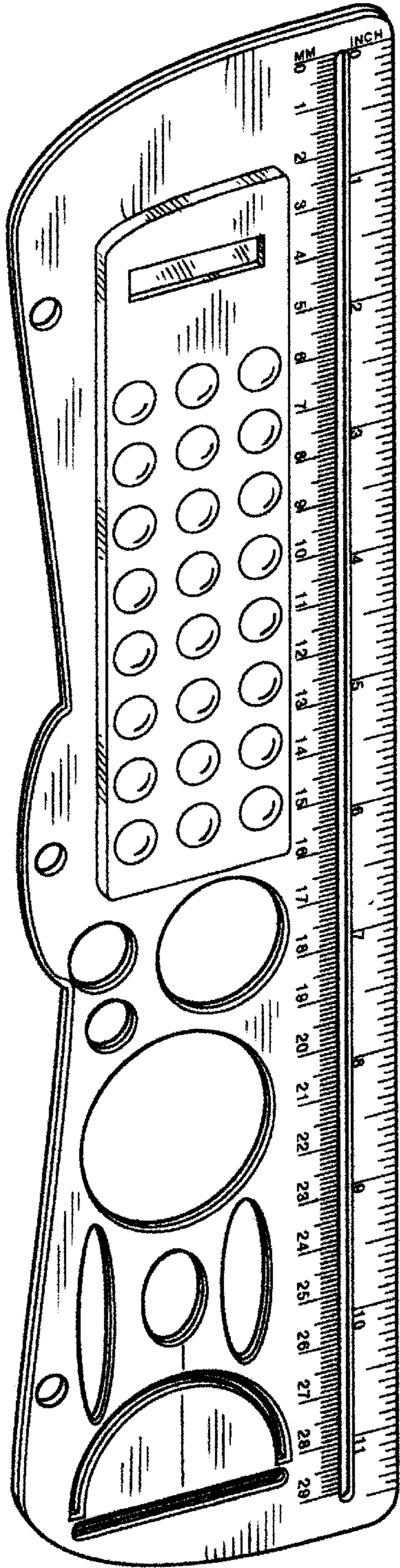


FIG. 8



FIG. 11

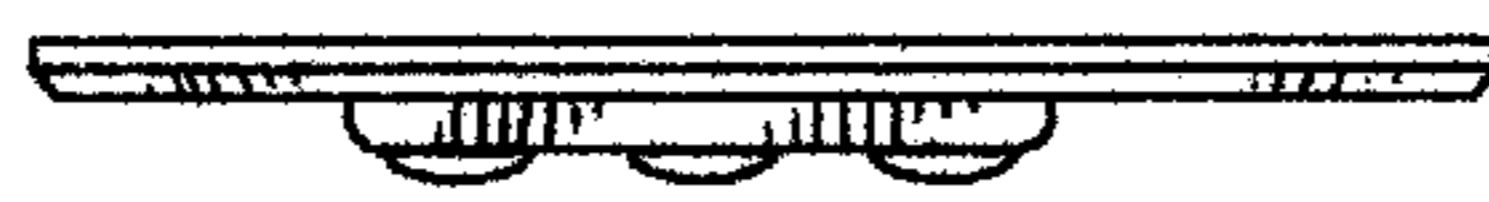


FIG. 12



FIG. 13



FIG. 14

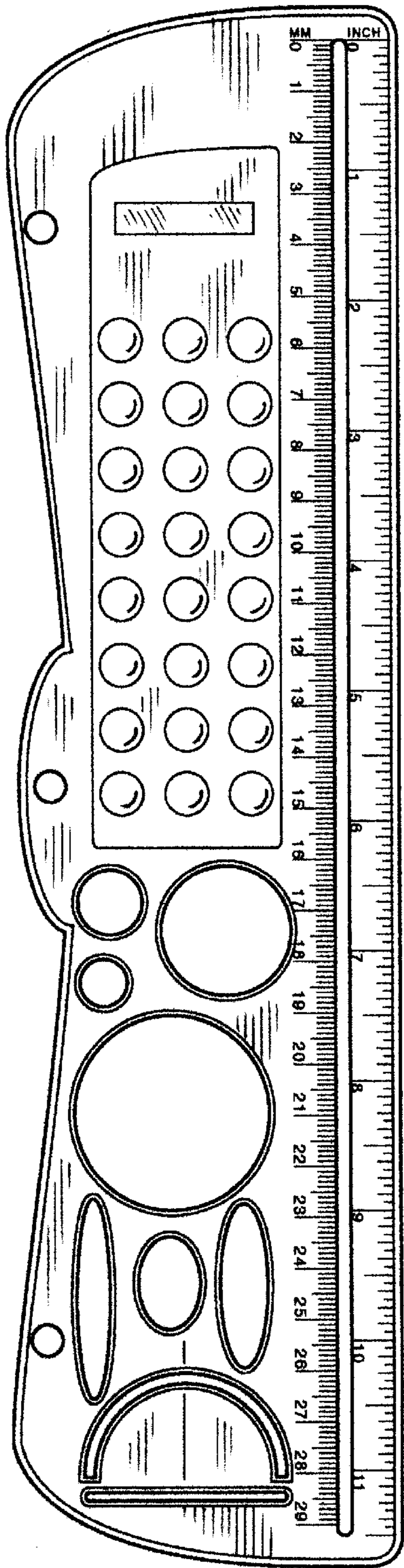


FIG. 9

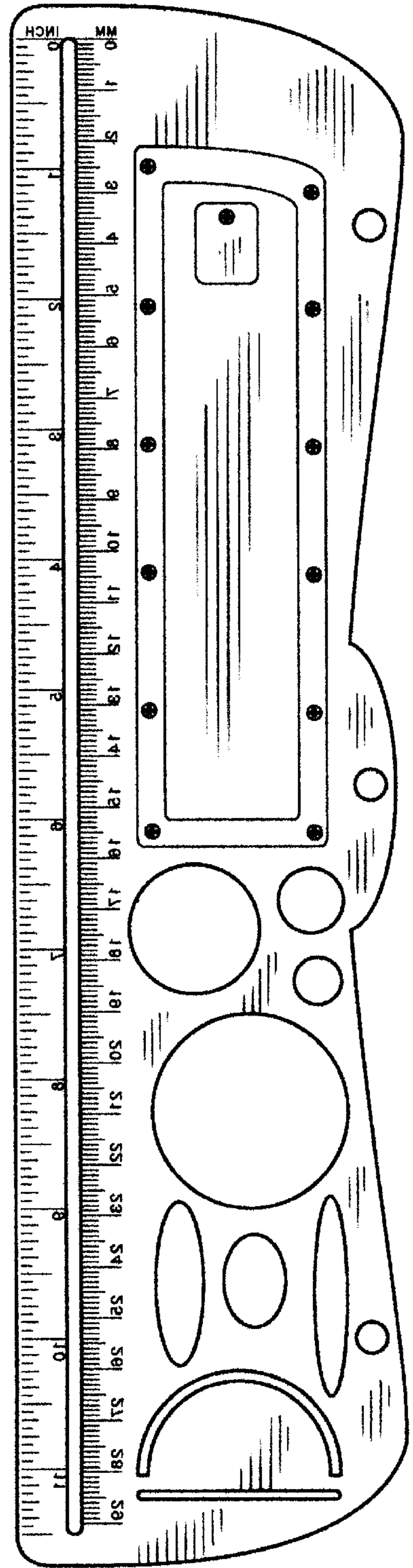


FIG. 10

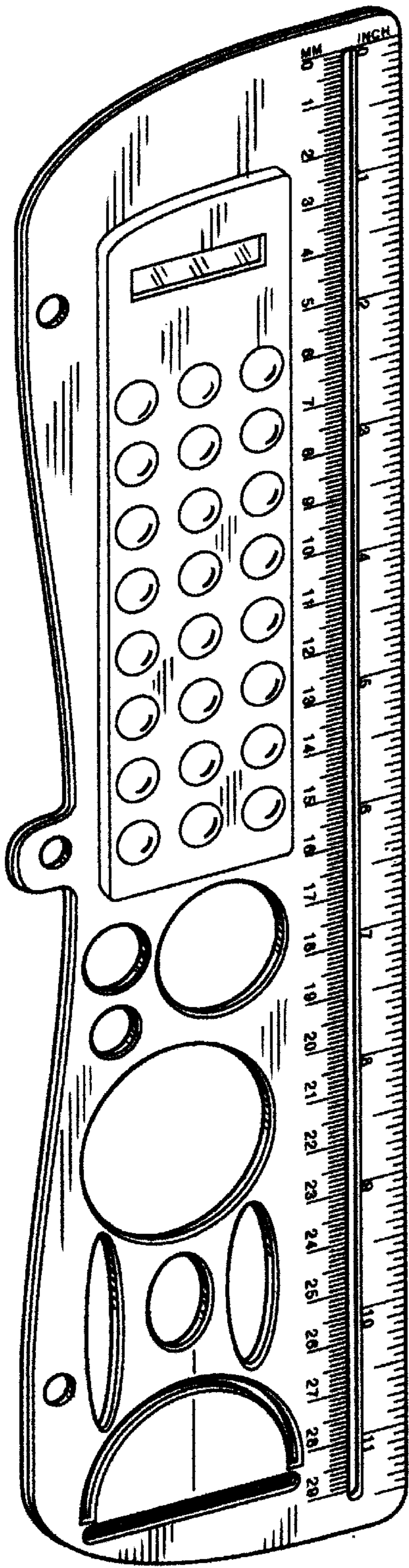


FIG. 15



FIG. 18

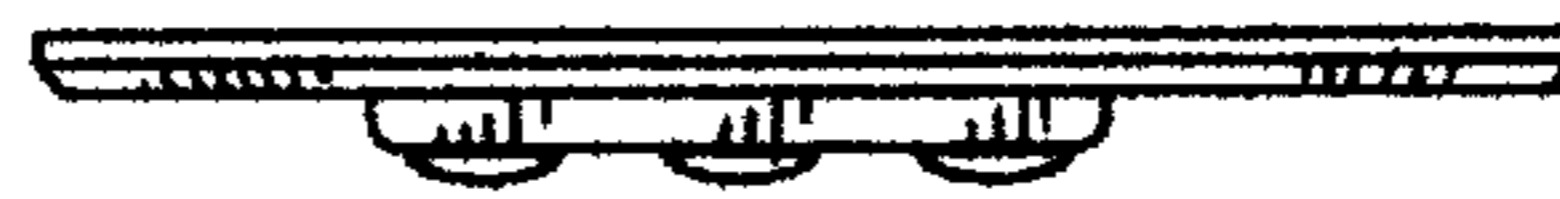


FIG. 19



FIG. 20



FIG. 21

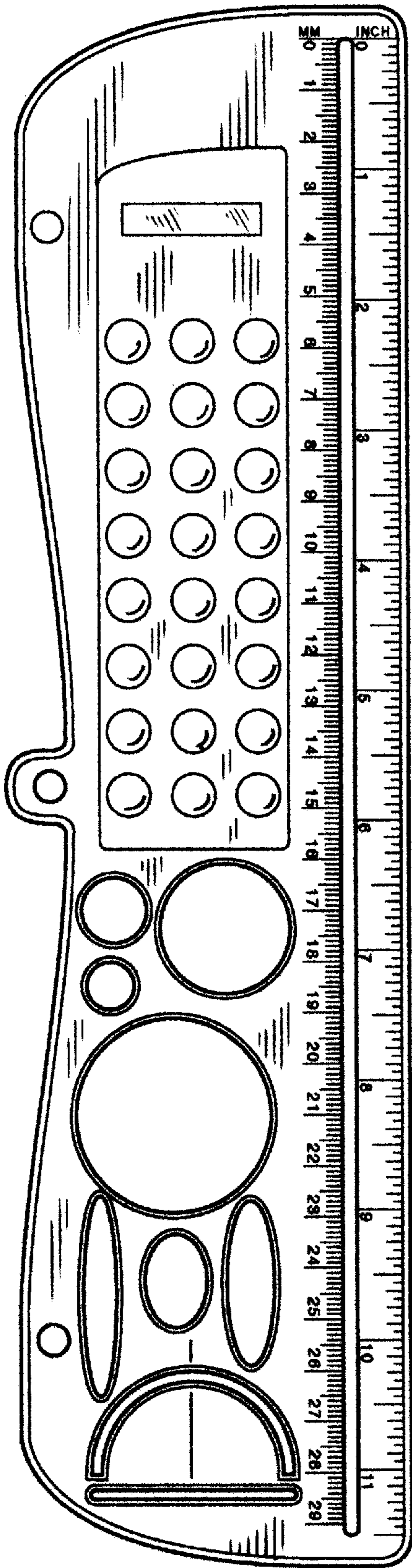


FIG.16

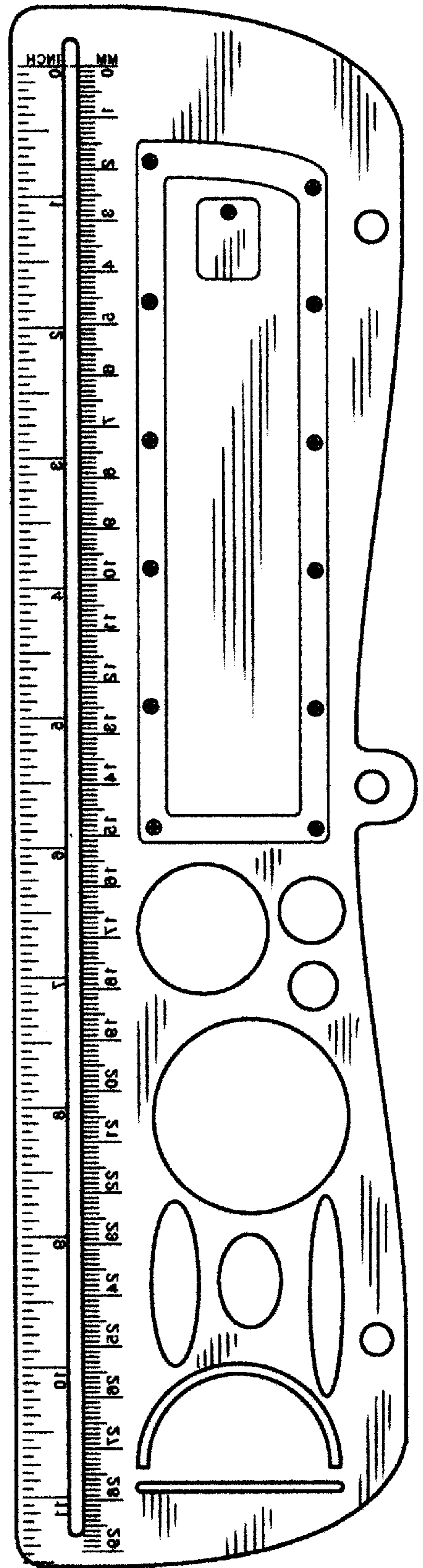


FIG.17