



US00D410937S

United States Patent [19]

Nihei et al.

[11] Patent Number: **Des. 410,937**

[45] Date of Patent: **** Jun. 15, 1999**

[54] CAMERA

4,980,707 12/1990 Gell, Jr. 396/26

[75] Inventors: **Kazuhiro Nihei**, Tokyo; **Koujiro Yoshida**, Hino, both of Japan

Primary Examiner—Adir Aronovich
Attorney, Agent, or Firm—Frishauf, Holtz, Goodman, Langer & Chick

[73] Assignee: **Konica Corporation**, Tokyo, Japan

[57] CLAIM

[**] Term: **14 Years**

The ornamental design for a camera, as shown and described.

[21] Appl. No.: **29/097,361**

DESCRIPTION

[22] Filed: **Dec. 4, 1998**

[30] Foreign Application Priority Data

Jun. 9, 1998 [JP] Japan 10-16424

FIG. 1 is a front elevational view of a camera showing my new design;

[51] LOC (6) Cl. **16-01**

FIG. 2 is a rear elevational view thereof;

[52] U.S. Cl. **D16/209; D16/218**

FIG. 3 is a left side view thereof;

[58] Field of Search D16/200–205,
D16/208, 209, 210, 211, 216–218; D21/514;
396/25–29, 534–543

FIG. 4 is a right side view thereof;

FIG. 5 is a top plan view thereof;

FIG. 6 is a bottom plan view thereof;

FIG. 7 is a front, right side and top perspective view thereof;

FIG. 8 is a rear, left side and top perspective view thereof;

FIG. 9 is a front view thereof with the flash in the raised position for strobe photography;

FIG. 10 is a rear view thereof;

FIG. 11 is a left side view thereof;

FIG. 12 is a right side view thereof; and,

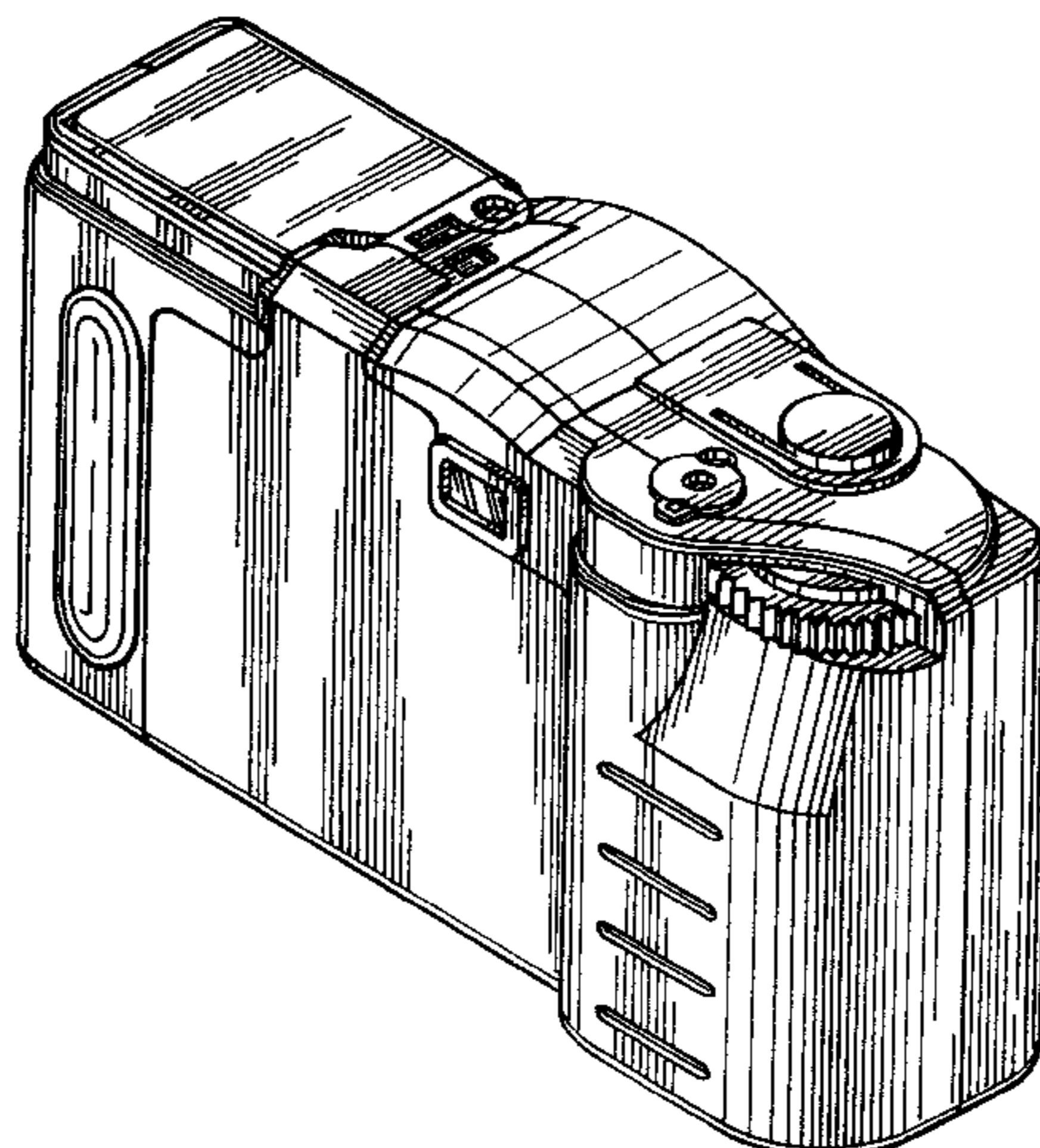
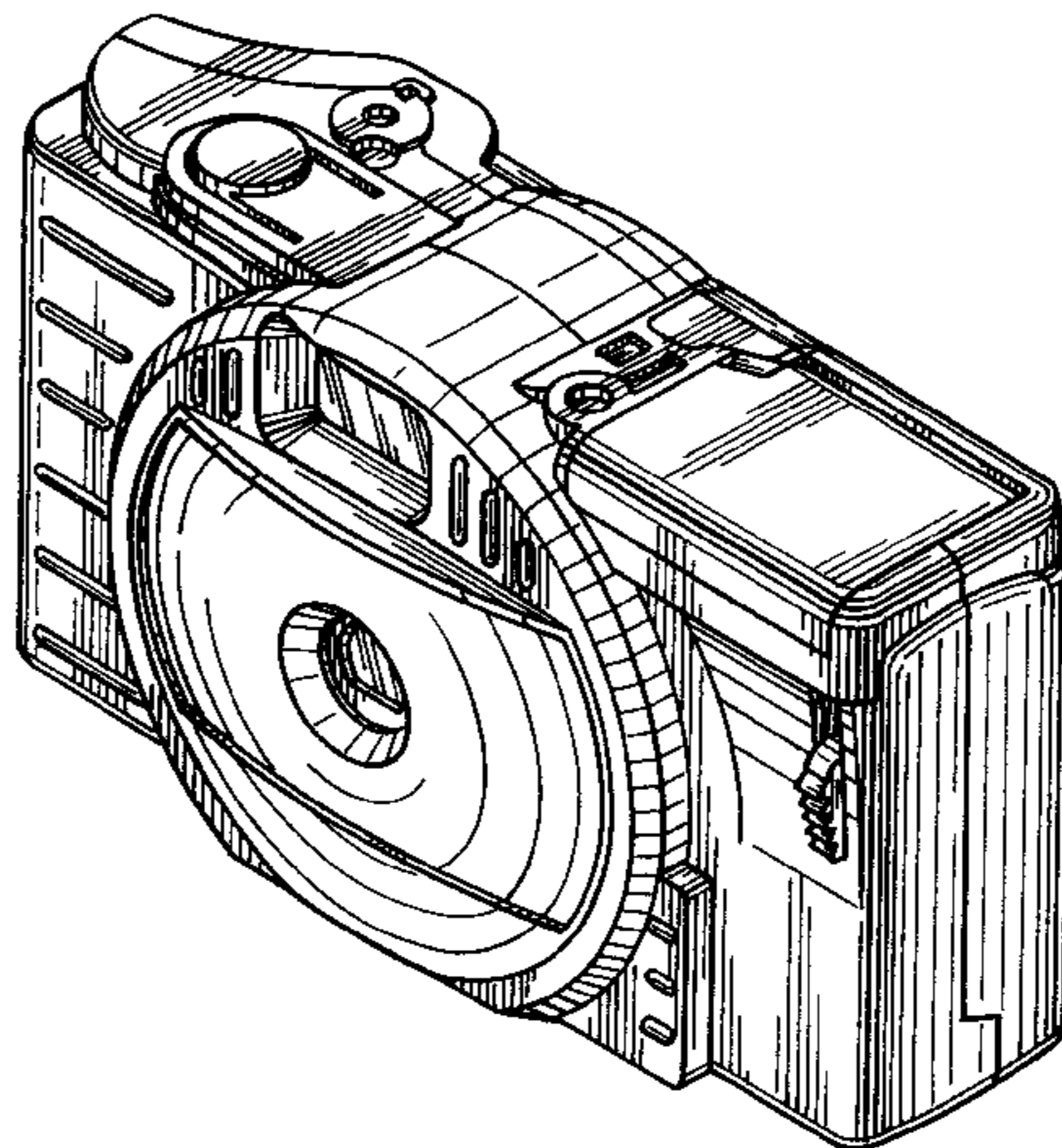
FIG. 13 is a top plan view thereof, the bottom plan view being identical to FIG. 6.

[56] References Cited

U.S. PATENT DOCUMENTS

D. 320,610	10/1991	Chan	D16/209
D. 373,130	8/1996	Jin	D16/218
D. 397,129	8/1998	Eto et al.	D16/209
D. 399,861	10/1998	Nihei	D16/209
D. 401,258	11/1998	Tanaka	D16/209

1 Claim, 3 Drawing Sheets



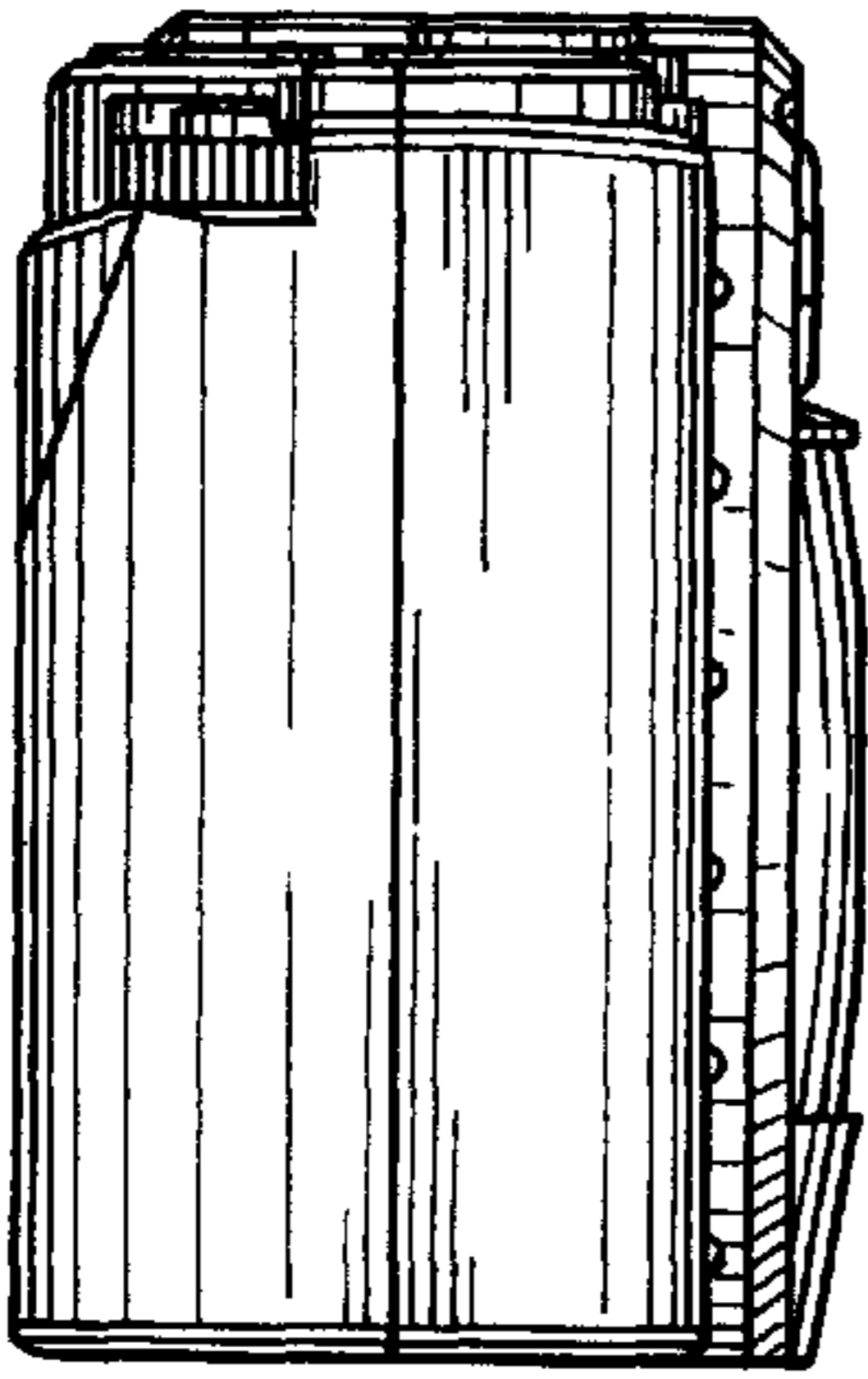


Fig. 3

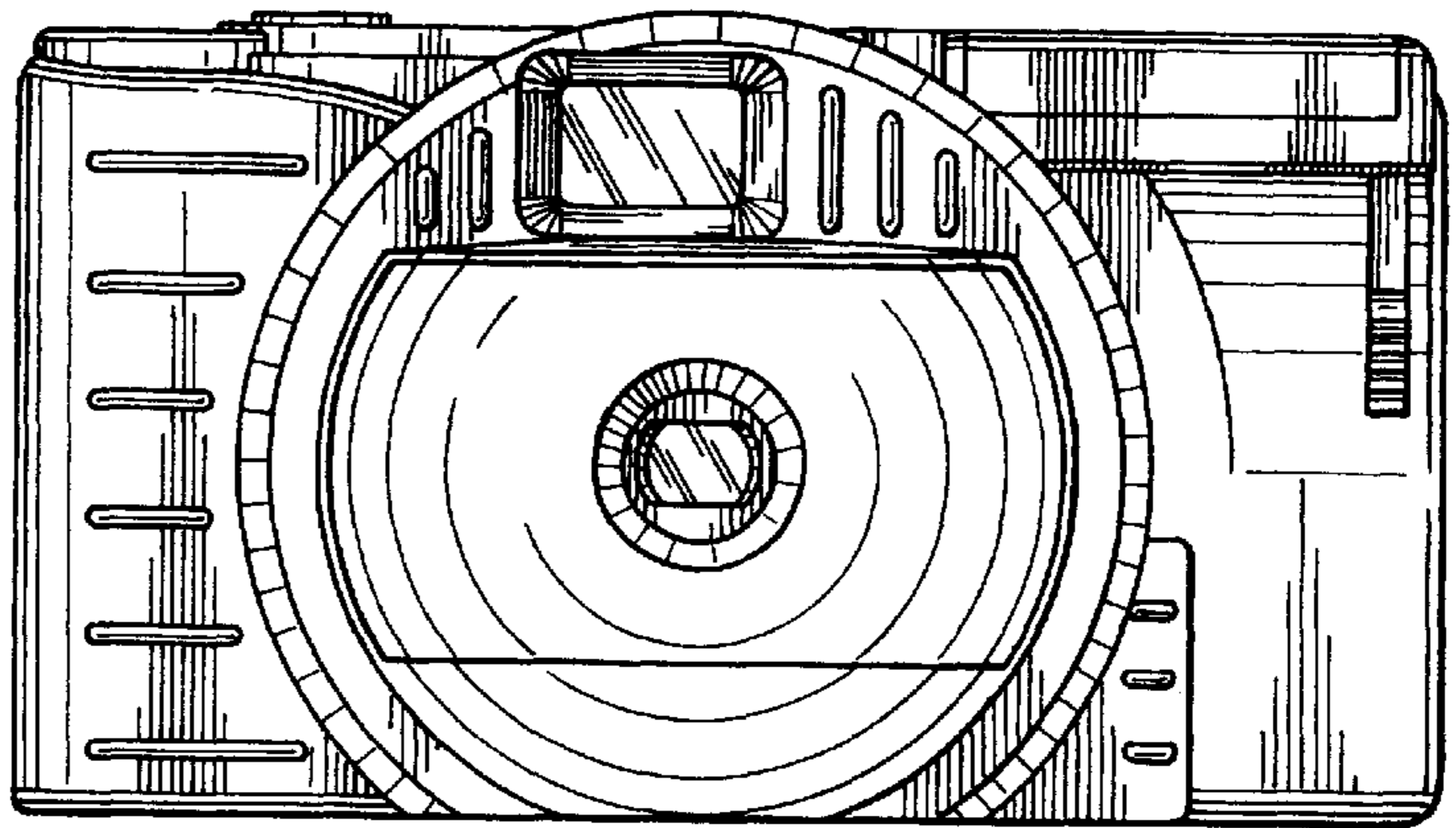


Fig. 1

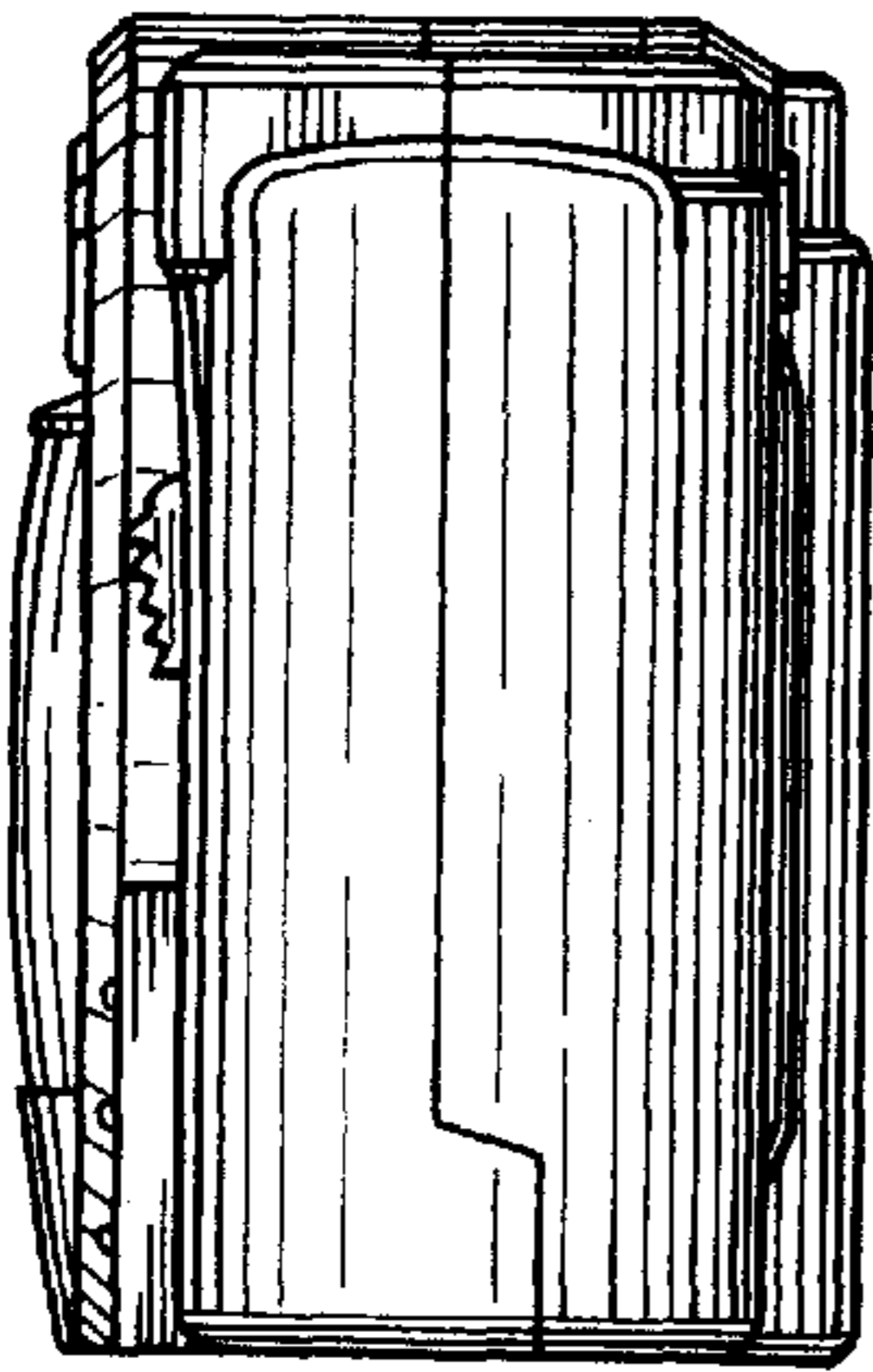


Fig. 4

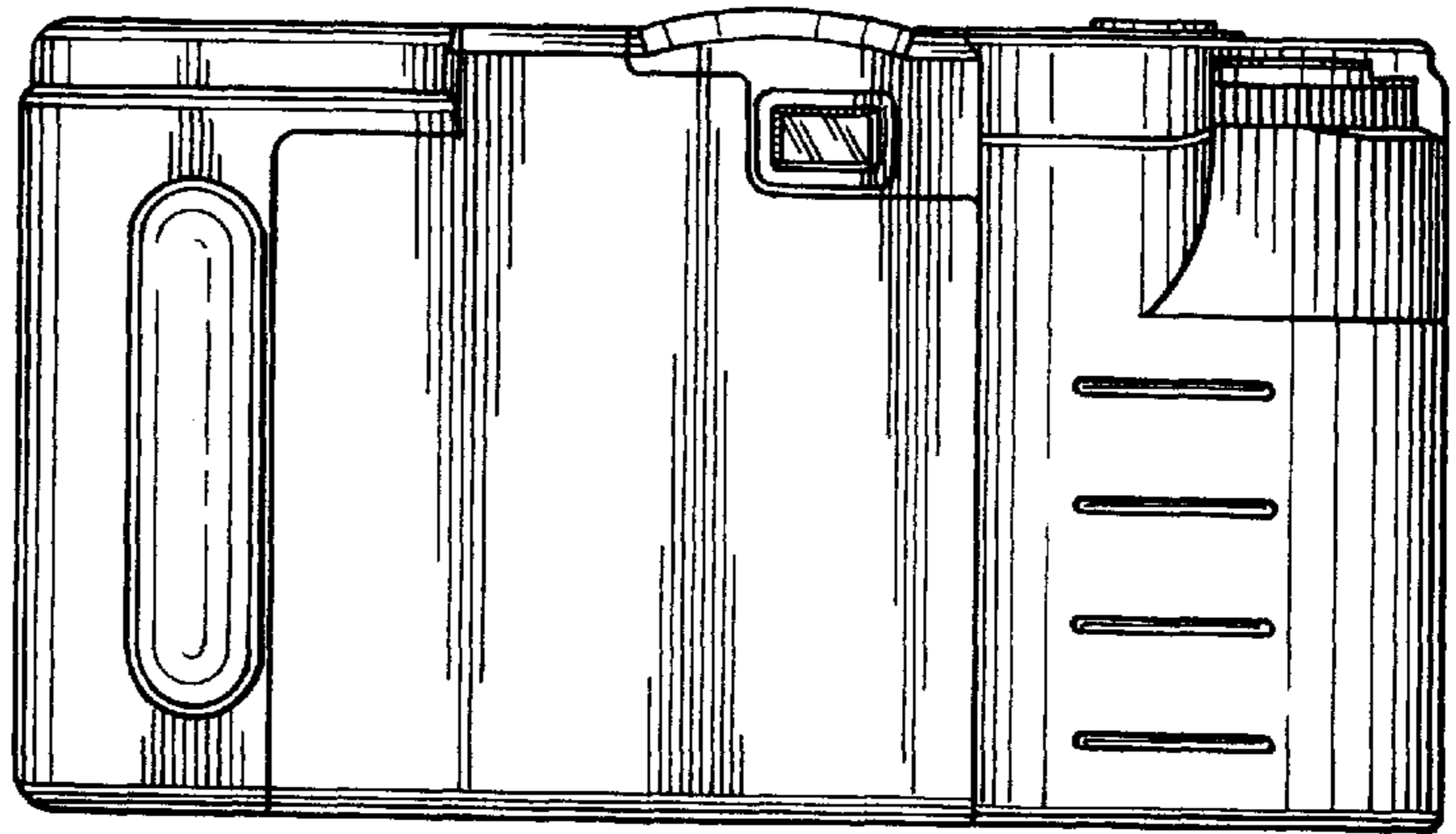


Fig. 2

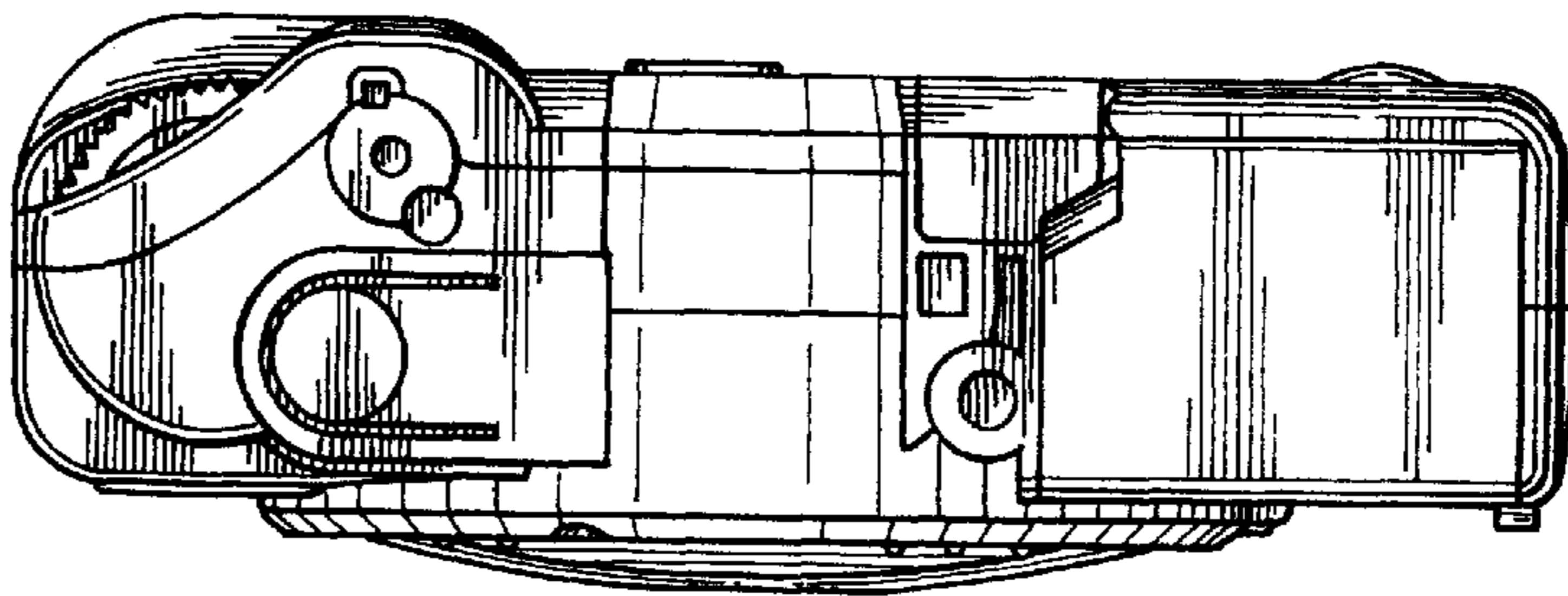


Fig. 5

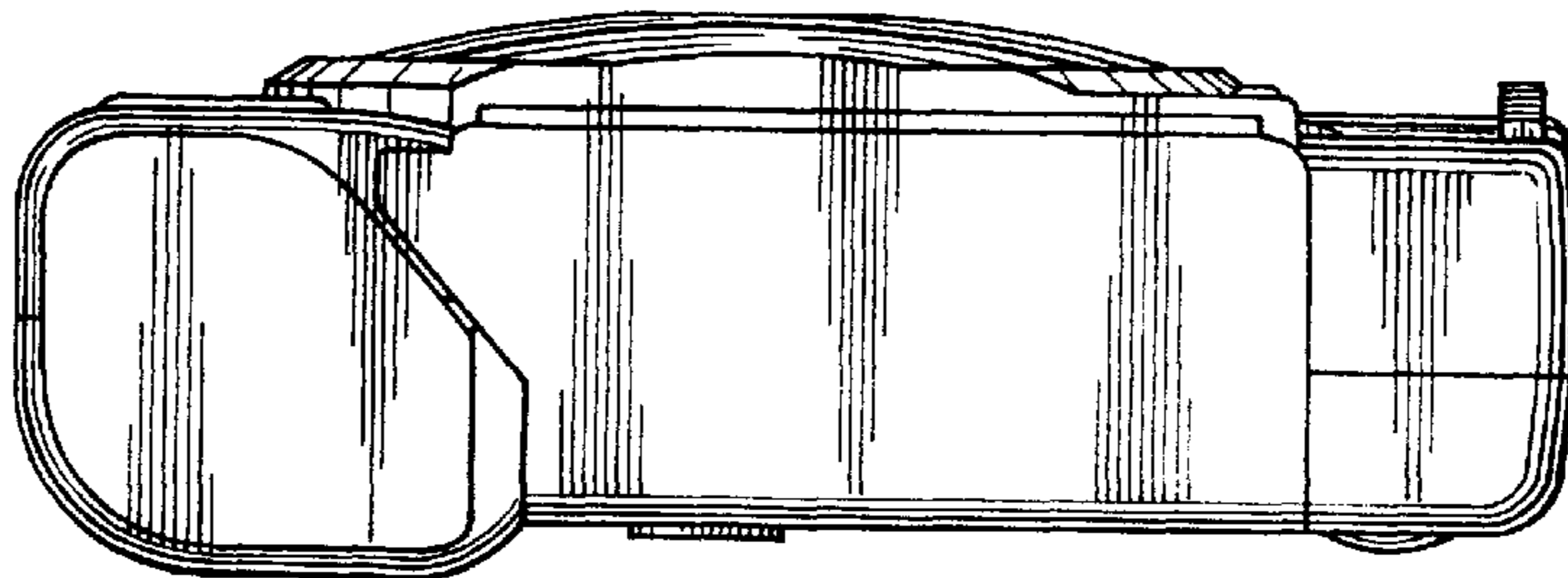


Fig. 6

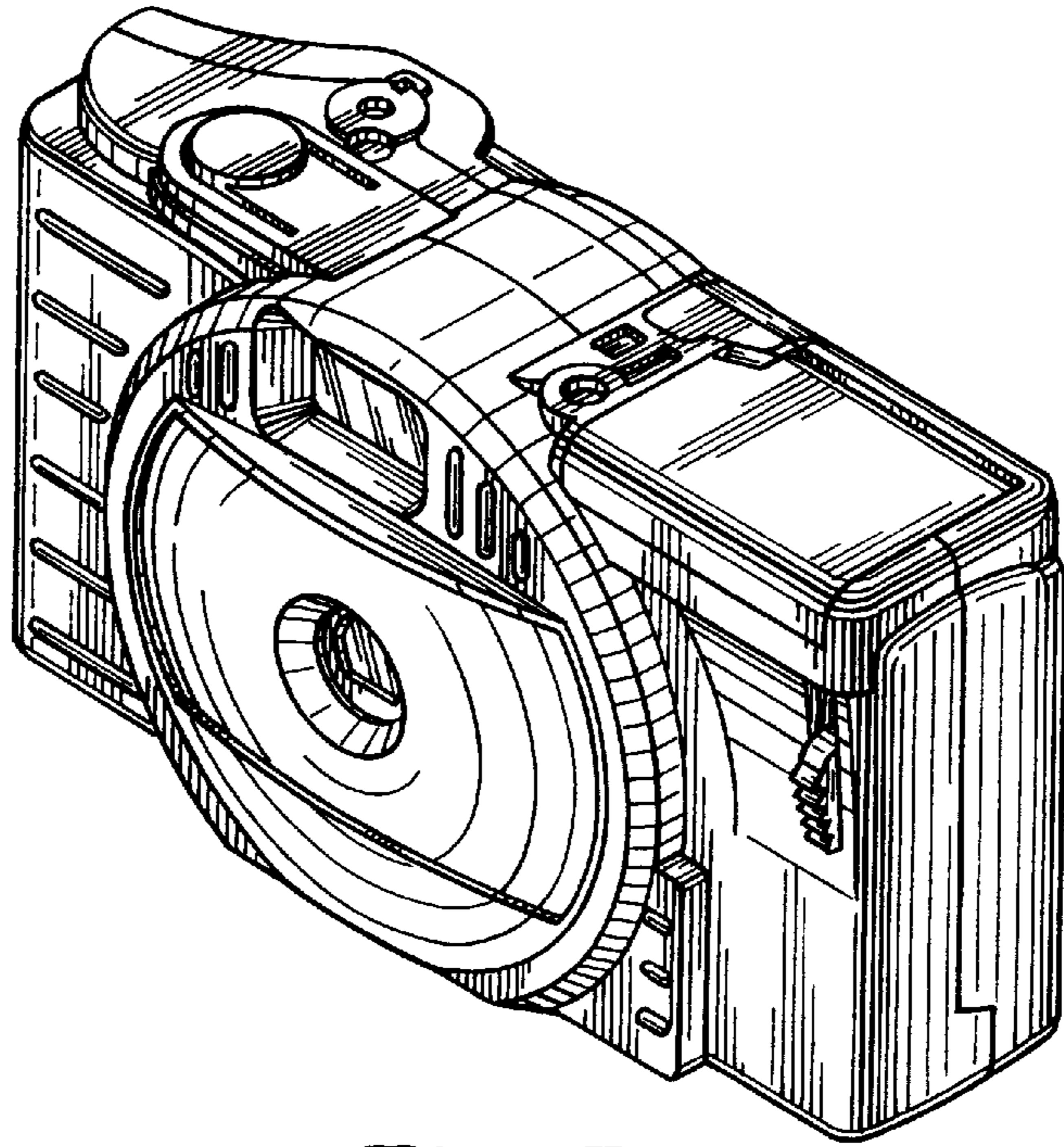


Fig. 7

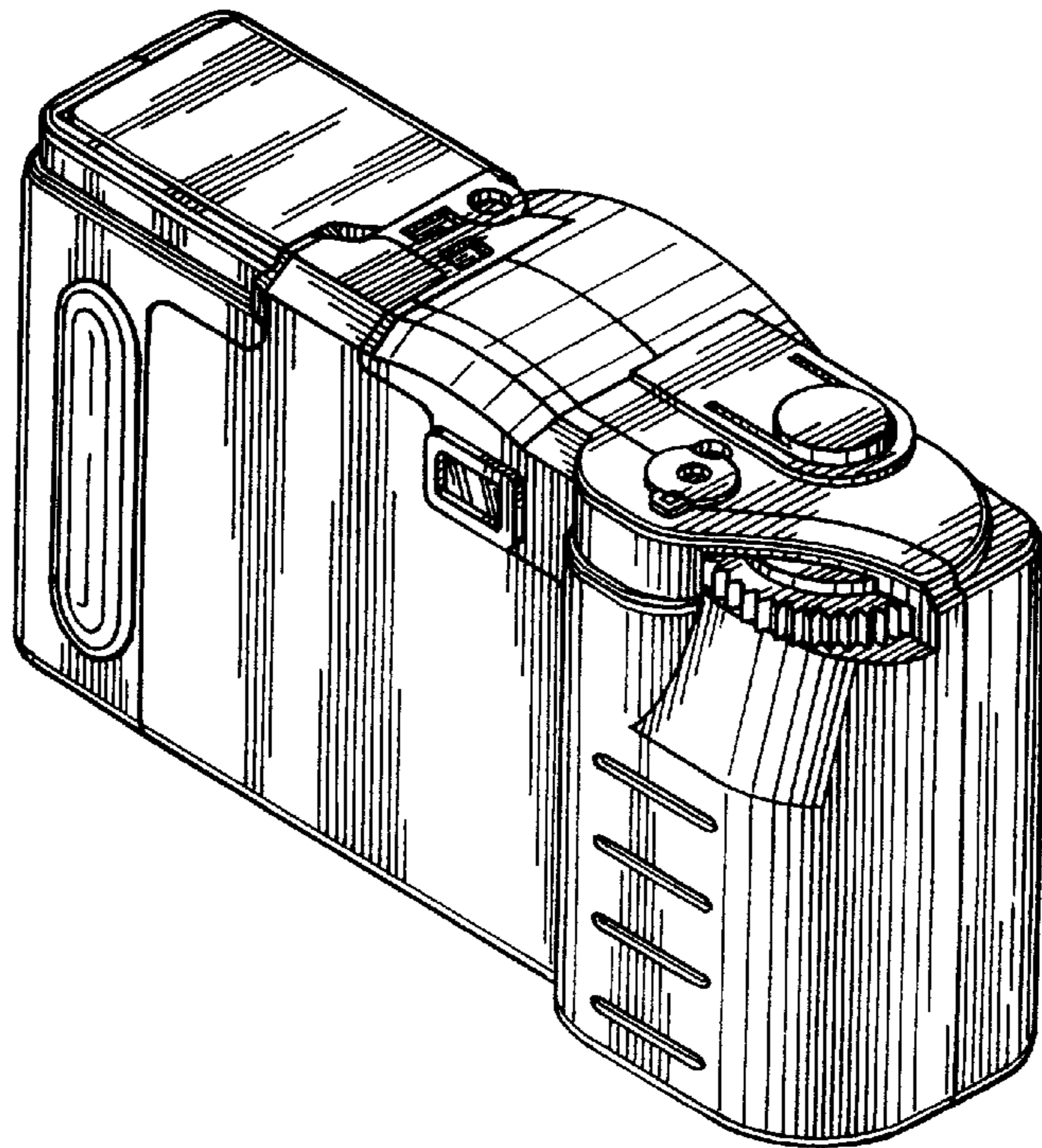


Fig. 8

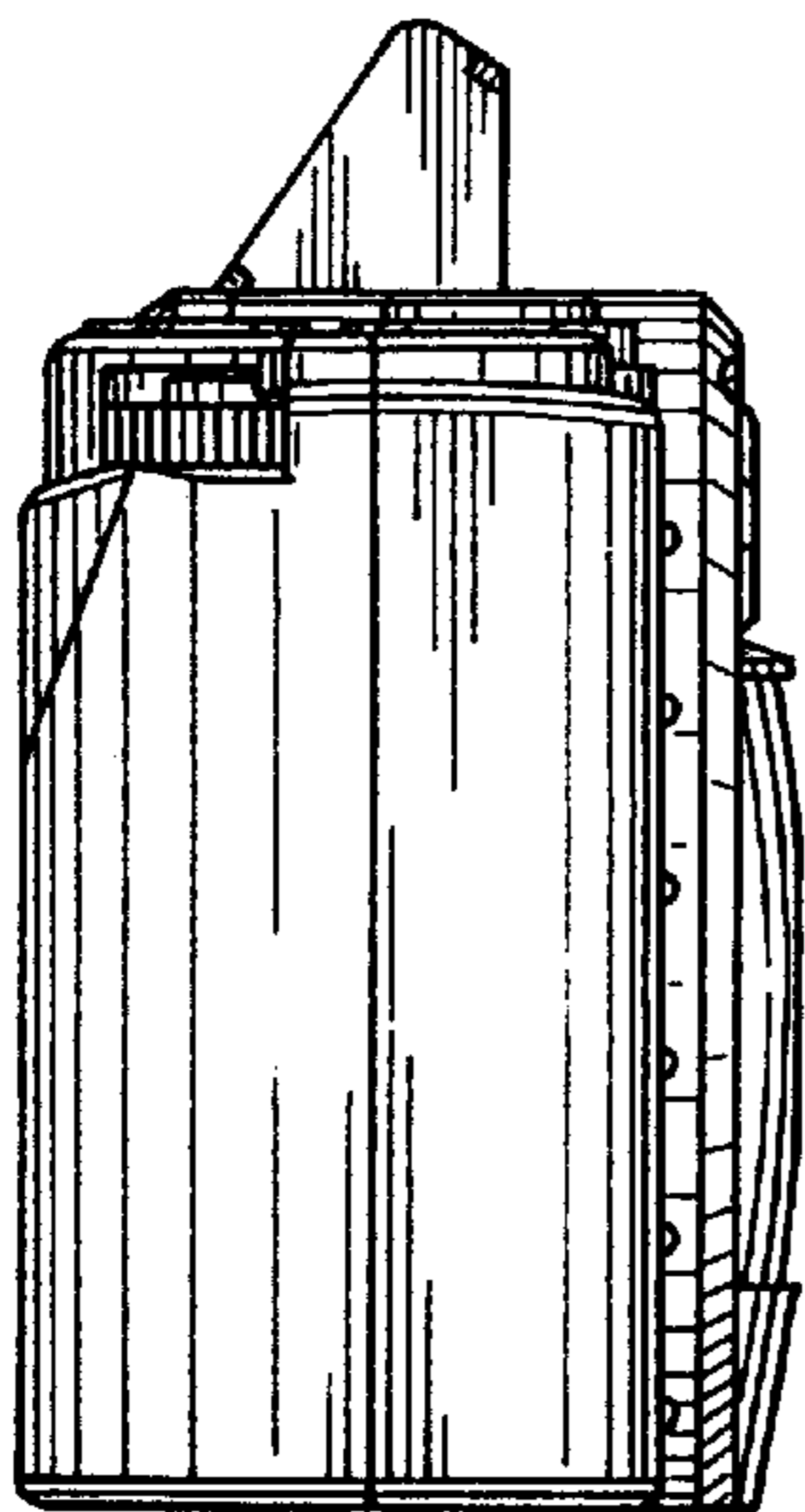


Fig. 11

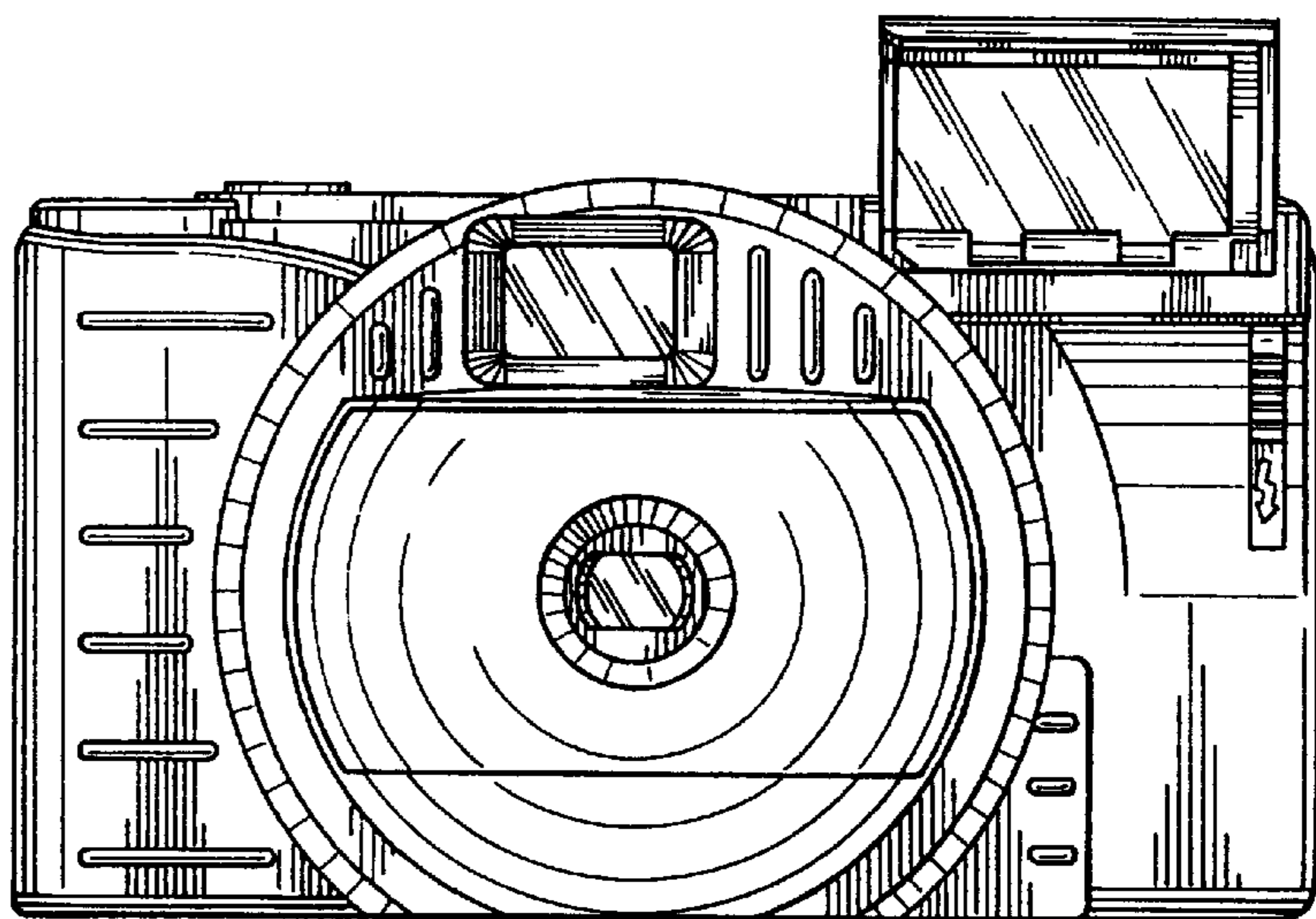


Fig. 9

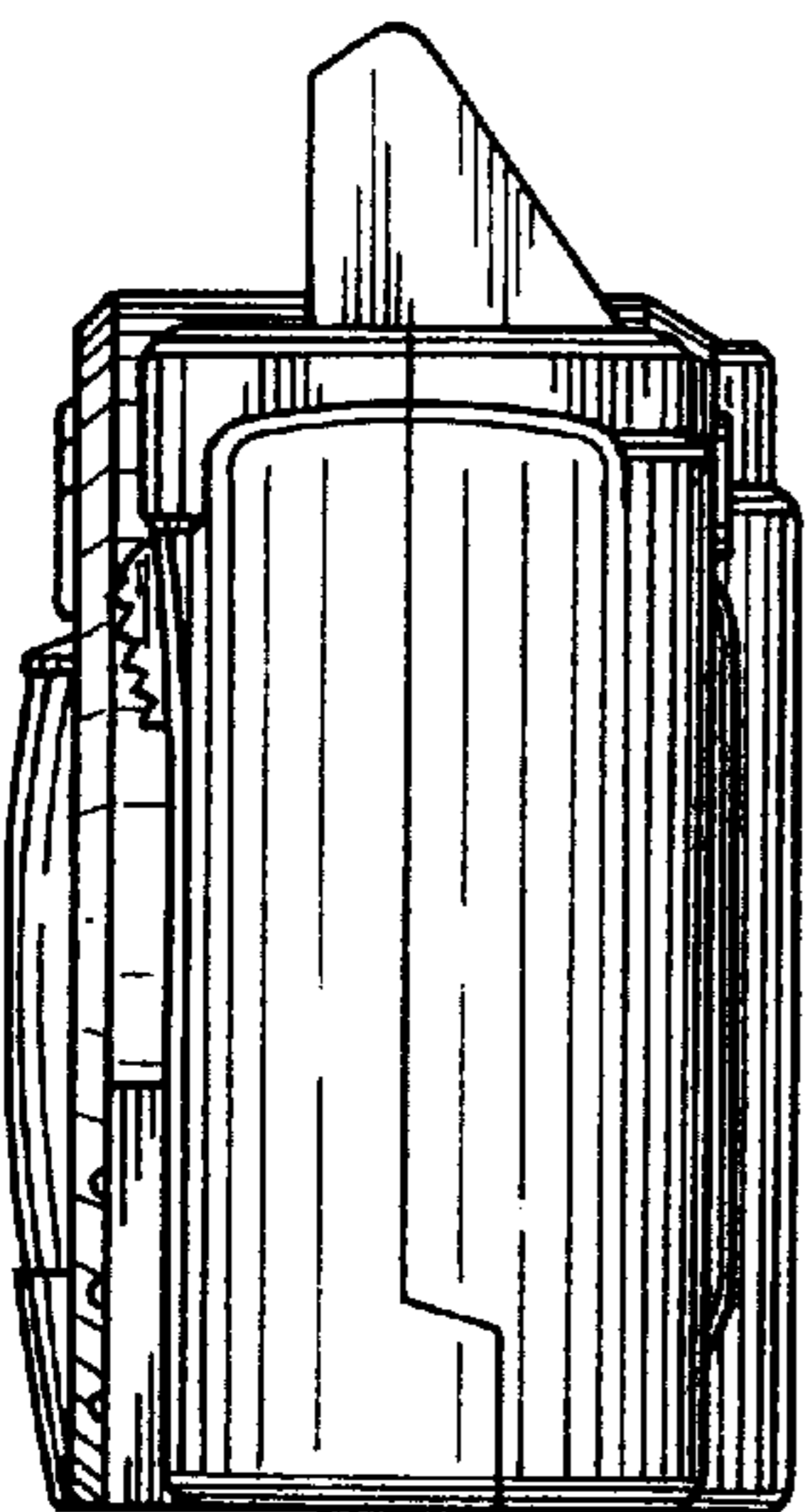


Fig. 12

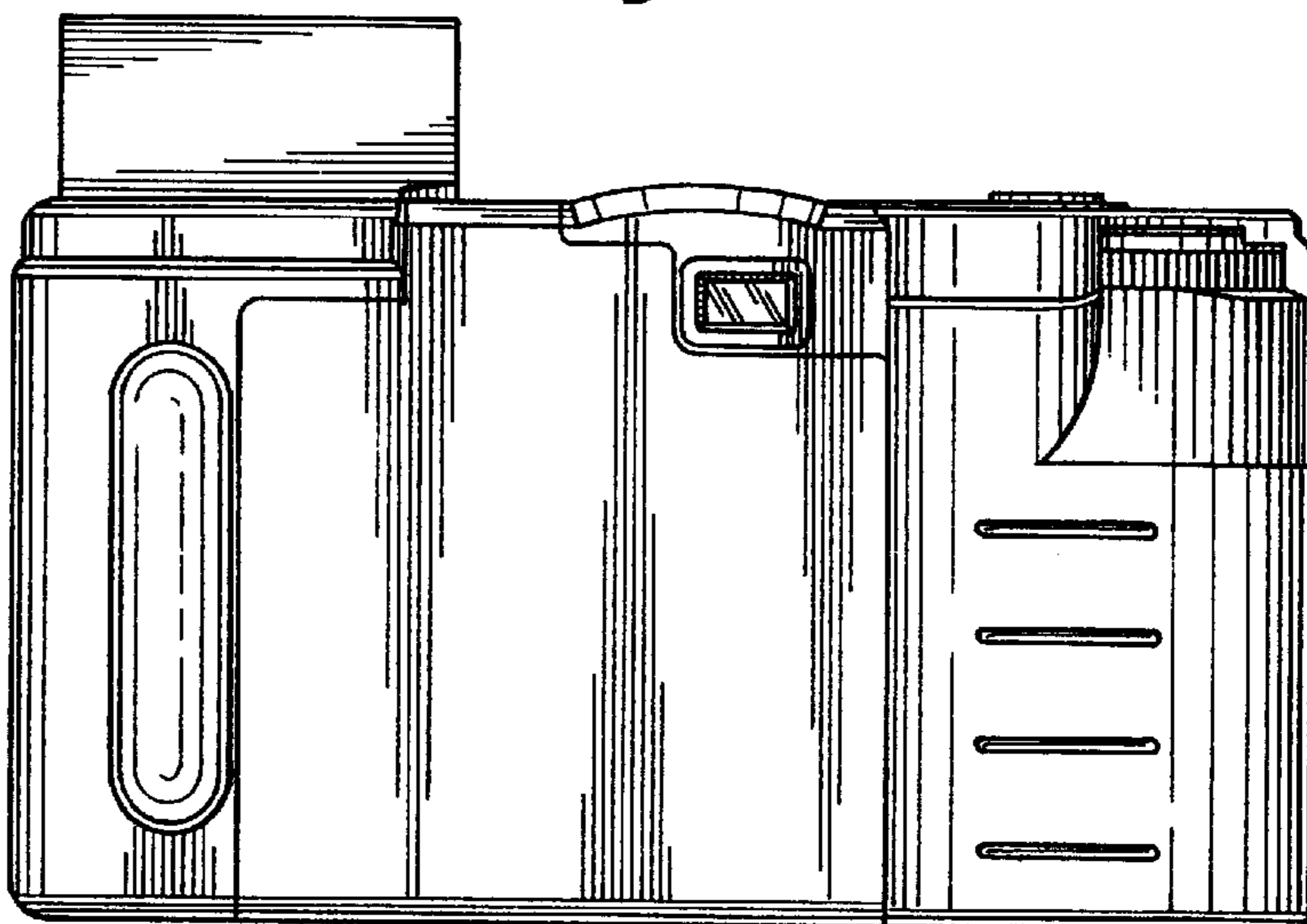


Fig. 10

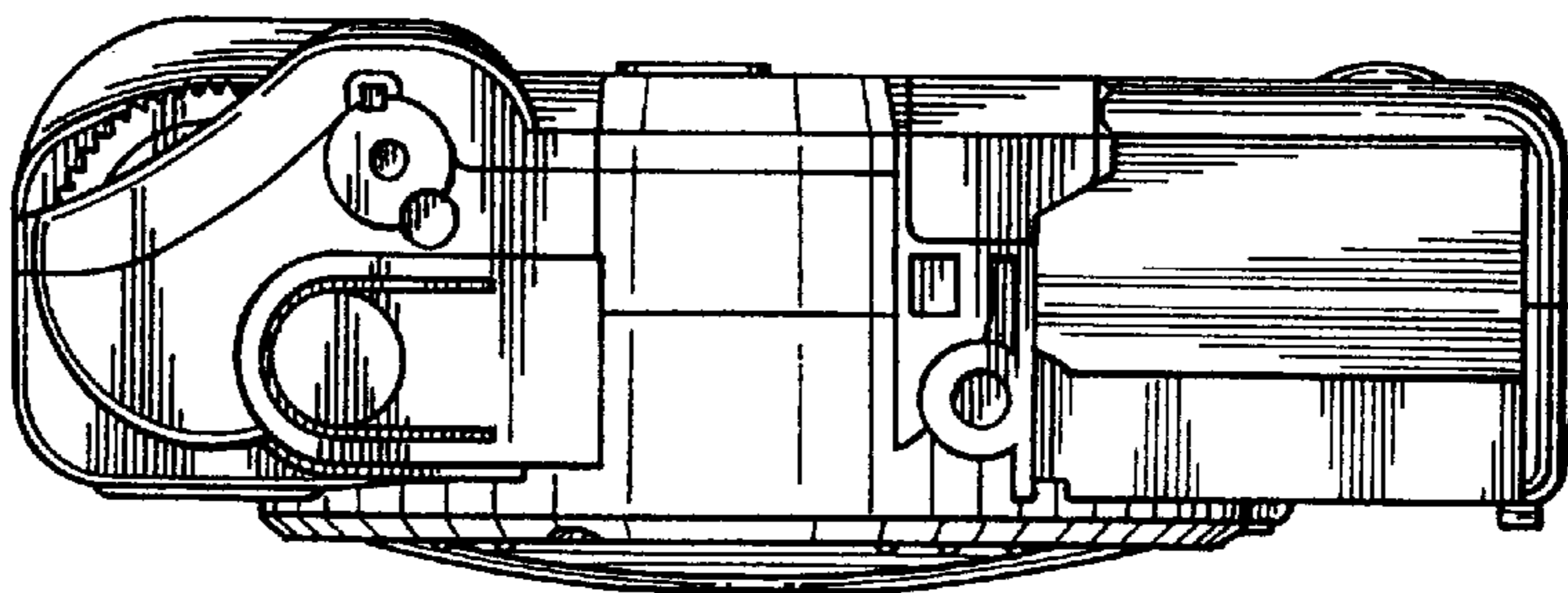


Fig. 13